

Typical unit

FEATURES

- Advanced Bus Converter industry standard eighth-brick with digital PMBus interface
- Optional standard five pin Eighth-brick
- High efficiency
- Fast dynamic response
- $\pm 1\%$ Vout Setting accuracy
- 2250 Vdc input to output isolation voltage
- Optional baseplate (B option)
- Voltage droop load sharing for parallel operation
- Certified to UL/IEC 62368-1, CAN/CSA-C22.2 No. 62368-1, safety approvals and EN55022/CISPR22 standards

PRODUCT OVERVIEW

Murata Power Solutions is introducing the first in a series of digitally controlled DC-DC converters that are based on a 32-bit ARM processor. The DBE series provides a fully regulated, digitally controlled DC output in an eighth-brick format that will support the evolving, Advanced Bus Converter (ABC) industry standard footprint for isolated board mounted power modules. The DBE series supports advances in power conversion technology including a digital interface supporting the PMBus protocol for communications to power modules.

The DBE series products are eighth-brick DC-DC converter with a digital interface supporting the PMBus standard for communicating with power devices. The DBE series also supports the

TNV standard for input Voltage with a 36–75V_{in} specified V_{in} range and was designed to provide payload power in distributed power architectures. The DBE offers a “droop” load sharing option for paralleling modules in the most demanding, power hungry applications or to provide redundancy in high reliability applications. The converter also offers high input to output isolation of 2250 VDC as required for Power over Ethernet (PoE) applications. The DBE series is suitable for applications covering MicroTCA, servers and storage applications, networking equipment, Power over Ethernet (PoE), fan trays, wireless networks, wireless pre-amplifiers, industrial and test equipment along with other applications requiring a regulated 12V and 5V.

Power Management (PMBus Options)

- Configurable soft-start/stop
- Configurable output voltage (Vout) and voltage margins (Margin low and Margin high)
- Configurable protection limits for OVP, input over voltage, input under voltage, over current, on/off, and temperature
- Module Status monitor Vout, Iout, Vin, Temp, Power good, and On/Off
- System status monitor (Vout, Iout, Vin and Temp over time)

Applications

- Distributed power architectures
- Intermediate bus voltage applications
- Servers and storage applications
- Network equipment

| Output (V) | Current (A) | Input (Vdc) |
|------------|-------------|---------------|
| 3.3 | 40 | V2 = 36-75Vdc |
| 5 | 40 | |
| 12 | 25 | |



PERFORMANCE SPECIFICATIONS SUMMARY AND ORDERING GUIDE ①

| Root Model | Output | | | | | | Input | | | | Efficiency | | Open Frame Package Dimensions (max.) | | |
|-------------|----------------------|---------------------------|-----------------|------------------------|------|-------------------|----------|--------------------------|-----------|----------------------------------|---------------------------------|------|--------------------------------------|----------------|----------------|
| | V _{OUT} (V) | I _{OUT} (A, max) | Total Power (W) | Ripple & Noise (mVp-p) | | Regulation (max.) | | V _{IN} Nom. (V) | Range (V) | I _{IN} , min. load (mA) | I _{IN} , full load (A) | Min. | Typ. | (Inches, max.) | (mm) |
| | | | | Typ. | Max. | Line (%) | Load (%) | | | | | | | | |
| DBE0340V2 | 3.3 | 40 | 132 | 60 | 100 | ±0.3 | ±0.25 | 48 | 36-75 | 90 | 2.96 | 91% | 92.5% | 2.3x0.9x0.45 | 58.4x22.9x11.4 |
| DBE0240V2 | 5 | 40 | 200 | 50 | 100 | ±0.25 | ±0.25 | 48 | 36-75 | 90 | 4.46 | 93% | 94% | 2.3x0.9x0.45 | 58.4x22.9x11.4 |
| DBE0125V2 | 12 | 25 | 300 | 80 | 150 | ±0.25 | ±0.25 | 48 | 36-75 | 110 | 9.25 | 93% | 94.6% | 2.3x0.9x0.46 | 58.4x22.9x11.7 |
| DVE0340V2 ② | 3.3 | 40 | 132 | 60 | 100 | ±0.3 | ±0.25 | 48 | 36-75 | 90 | 2.96 | 91% | 92.5% | 2.3x0.9x0.45 | 58.4x22.9x11.4 |
| DVE0240V2 ② | 5 | 40 | 200 | 50 | 100 | ±0.25 | ±0.25 | 48 | 36-75 | 90 | 4.46 | 93% | 94% | 2.3x0.9x0.45 | 58.4x22.9x11.4 |
| DVE0125V2 ② | 12 | 25 | 300 | 80 | 150 | ±0.25 | ±0.25 | 48 | 36-75 | 110 | 9.25 | 93% | 94.6% | 2.3x0.9x0.46 | 58.4x22.9x11.7 |

① Typical at TA = +25°C under nominal line voltage and full-load conditions. All models are specified with an external 1µF multi-layer ceramic and 10µF capacitors across their output pins.

② DVE models do not have the PMBus feature.

DIGITAL CONTROL BRICK PART NUMBER FORMAT

| Description | Part Number Structure | | | | | | | | | | | | | | | | Definition and Options |
|-----------------------------------|-----------------------|---|---|---|---|---|---|---|---|---|---|---|---|---|---|---|--|
| Product Family | D | X | | | | | | | | | | | | | | | DB = Full Featured Digital Bus converter, DV = NO PMBus, NO Sense & Trim Pins |
| Form Factor | | | E | | | | | | | | | | | | | | E = Eighth Brick |
| Vout ① | | | | 0 | 1 | | | | | | | | | | | | 01 = 12Vout, 02 = 5Vout, 03=3.3Vout (Without PMBus Vout cannot be changed) |
| Output Current | | | | | | 2 | 5 | | | | | | | | | | Max Iout in Amps |
| Vin Range | | | | | | | | V | 2 | | | | | | | | V2 = 36-75V |
| Logic ① | | | | | | | | | | N | | | | | | | N = Negative, P = Positive |
| Pin Length ② | | | | | | | | | | | x | | | | | | 1 = 0.110" (cut), 2 = 0.145" (cut). Omit for standard shown in the mechanical drawings |
| Mechanical Configuration | | | | | | | | | | | | B | | | | | B = Baseplate, Omit for Open Frame (Standard Configuration) |
| Load Sharing | | | | | | | | | | | | | S | | | | S = Load Sharing, Omit for Standard (Standard Configuration) ④ |
| Paste In Hole (PIH) Processable ③ | | | | | | | | | | | | | R | | | | R = MSL-3 compliant Packaging, Blank for Standard Configuration / Packaging |
| Specific Customer Configuration | | | | | | | | | | | | | | x | x | | Customer Code; Omit for Standard |
| RoHS | | | | | | | | | | | | | | | | C | RoHS 6/6 Compliant |

① PMBus Configurable

② Minimum order quantity is required. Samples available with standard pin length only.

③ PIH parts are special order only.

④ Load Sharing is not available on the 3.3Vout and 5Vout models.

Note: Some model number combinations may not be available. See website or contact your local Murata sales representative.

Part Number Examples

DBE0125V2NBSC = Full Featured Digital 1/8th Brick, 12Vout, 25A, 36-75Vin, Negative logic, Baseplate, Load Sharing, RoHS 6/6 compliant

DVE0240V2NBC = No PMBus, No Sense & Trim 1/8th Brick, 5Vout, 40A, 36-75Vin, Negative logic, Baseplate, RoHS 6/6 compliant

EVALUATION BOARD AVAILABLE FROM MURATA POWER SOLUTIONS

| Part Number | Application Note | USB Adaptor Part Number | GUI Software Application Note |
|-------------|--|-------------------------|--|
| MPS-TD001 | www.murata-ps.com/data/apnotes/dcan-63.pdf | MPS-AD001 | www.murata-ps.com/data/apnotes/dcan-63.pdf |

Contact your local Murata sales representative for ordering details.

FUNCTIONAL SPECIFICATIONS, DBE0340 (3.3V, 40A)

| ABSOLUTE MAXIMUM RATINGS | Conditions ① | Minimum | Typical/Nominal | Maximum | Units |
|---------------------------|---|---------|-----------------|---------|-------|
| Input Voltage, Continuous | | 0 | | 80 | Vdc |
| Input Voltage, Transient | 100 mS max. duration | | | 100 | Vdc |
| Isolation Voltage | Input to output, continuous | | | 2250 | Vdc |
| Input Reverse Polarity | None, install external fuse | | None | | |
| On/Off Remote Control | Power on, referred to -Vin | 0 | | 13.50 | Vdc |
| Output Power | | 0 | | 132 | W |
| Output Current | Current-limited, no damage, short-circuit protected | 0 | | 40 | A |
| Storage Temperature Range | Vin = Zero (no power) | -55 | | 125 | °C |

Absolute maximums are stress ratings. Exposure of devices to greater than any of these conditions may adversely affect long-term reliability. Proper operation under conditions other than those listed in the Performance/Functional Specifications Table is not implied nor recommended.

| INPUT | | | | | |
|--------------------------------------|---------------------------|----|------|------|----------------------|
| Operating voltage range (V2) | | 36 | 48 | 75 | Vdc |
| Start-up threshold | (Default, Conf via PMBUS) | 32 | 34 | 36 | Vdc |
| Undervoltage shutdown | (Default, Conf via PMBUS) | 30 | 32 | 34 | Vdc |
| Internal Filter Type | | | Pi | | |
| External Input Fuse (Recommended) | | | 10 | | A |
| Input current | | | | | |
| Full Load Conditions | Vin = nominal | | 2.96 | 3.02 | A |
| Low Line input current | Vin = minimum | | 3.92 | 4.03 | A |
| Inrush Transient | Vin = 48V. | | | 0.05 | A ² -Sec. |
| Short Circuit input current | | | 0.05 | 0.10 | A |
| No Load input current | Iout = minimum, unit=ON | | 90 | 120 | mA |
| Shut-Down input current(Off, UV, OT) | | | 20 | 40 | mA |

| GENERAL and SAFETY | | | | | |
|--------------------------|--|----|------------|--|-------------------------|
| Efficiency | Vin=48V, full load | 91 | 92.5 | | % |
| | Vin=min. | 91 | 92 | | % |
| Isolation Voltage | Input to output, continuous | | 2250 | | Vdc |
| | Input to Baseplate, continuous | | 1500 | | Vdc |
| | Output to Baseplate, continuous | | 1500 | | Vdc |
| Insulation Safety Rating | | | Functional | | |
| Isolation Resistance | | | 10 | | MΩ |
| Isolation Capacitance | | | 1000 | | pF |
| Safety | Certified to UL/IEC 62368-1, CSA-C22.2 No.62368-1, IEC60950-1, 2nd edition | | Yes | | |
| Calculated MTBF | Per Telcordia SR-332, Issue 1, class 3, ground fixed, Tcase=+25°C | | 2200 | | Hours x 10 ³ |

| DYNAMIC CHARACTERISTICS | | | | | |
|-----------------------------|---|---|-----|-----|------|
| Fixed Switching Frequency | | | 180 | | KHz |
| Turn on Time | (Default, Conf via PMBUS) Vin On to Vout regulated | | | 50 | mS |
| Ramp-up time | Remote On to Vout regulated | | | 30 | mS |
| Vout Rise Time | Conf via PMBUS, from 0% to 100% | 9 | 15 | 20 | mS |
| Vout Fall Time | Conf via PMBUS, from 100% to 0% | 7 | 10 | 13 | mS |
| Dynamic Load Response | 25-75-25% load step to 1% error band, 1A/uS, with 470uF output external Cap | | 100 | 200 | μSec |
| Dynamic Load Peak Deviation | same as above | | 500 | 700 | mVdc |

| FEATURES and OPTIONS | | | | | |
|---|--------------------------------------|------|---|-------|----|
| Remote On/Off Control | | | | | |
| Primary On/Off control (designed to be driving with an open collector logic, Voltages referenced to -Vin) | | | | | |
| "P" suffix: | | | | | |
| Positive Logic, ON state | ON = pin open or external voltage | 3.5 | | 13.50 | V |
| Positive Logic, OFF state | OFF = ground pin or external voltage | 0 | | 0.80 | V |
| Control Current | open collector/drain | | 1 | 2 | mA |
| "N" suffix: | | | | | |
| Negative Logic, ON state | ON = ground pin or external voltage | -0.1 | | 0.80 | V |
| Negative Logic, OFF state | OFF = pin open or external voltage | 3.5 | | 13.50 | V |
| Control Current | open collector/drain | | 1 | 2 | mA |

FUNCTIONAL SPECIFICATIONS, DBE0340 (3.3V, 40A, CONT.)

| OUTPUT | Conditions ① | Minimum | Typical/Nominal | Maximum | Units |
|--|--|---------|-----------------|---------|---------------|
| Total Output Power | | 0 | 132 | 133.32 | W |
| Voltage | | | | | |
| Setting Accuracy | At 100% load, no trim | 3.27 | 3.3 | 3.33 | Vdc |
| Overvoltage Protection | Conf via PMBUS, Magnetic Feedback | 4.0 | 4.5 | 5.0 | Vdc |
| Voltage Droop (Conf via PMBUS) | | | 0 | | MΩ |
| Current | | | | | |
| Output Current Range | | 0 | 40 | 40 | A |
| Minimum Load | | | No minimum load | | |
| Current Limit Inception ② | 90% of Vnom., after warmup, Conf via PMBUS | 44 | 49 | 53 | A |
| Short Circuit | | | | | |
| Short Circuit Current | Hiccup technique, autorecovery within 1% of Vout | | 2.5 | 3.0 | A |
| Short Circuit Duration (remove short for recovery) | Output shorted to ground, no damage | | Continuous | | |
| Short circuit protection method | Hiccup current limiting | | Non-latching | | |
| Regulation ③ | | | | | |
| Line Regulation | Vin=min. to max., Vout=nom., full load | | | ±0.3 | % |
| Load Regulation | Iout=min. to max., Vin=nom. | | | ±0.25 | % |
| Ripple and Noise | 5 Hz- 20 MHz BW, Cout=1μF MLCC paralleled with 10μF | | | 100 | mV pk-pk |
| Temperature Coefficient | At all outputs | | 0.02 | | % of Vnom./°C |
| Output Capacitance | Low ESR | 220 | | 7500 | μF |
| Power Good—Negative logic (Conf via PMBUS) | | | | | |
| Power good high stage voltage | | 2.4 | | 3.6 | Vdc |
| Power good low stage voltage | | -0.1 | | 0.40 | Vdc |
| Out voltage for power good off triggering | Conf via PMBUS | 2 | 2.3 | 2.5 | Vdc |
| Out Voltage for power good on triggering | Conf via PMBUS | 2.6 | 2.8 | 3 | Vdc |
| PMBus | | | | | |
| PMBUS GENERAL | | | | | |
| PMBUS REV. 1.2. SMBALERT# is supported. PEC is supported. Linear data format used. | | | | | |
| Bus speed | | | | 400 | Khz |
| Logic high input | | 2 | | 3.3 | Vdc |
| Logic low input | | -0.1 | | 0.8 | Vdc |
| Logic high output | | 2.4 | | 3.6 | Vdc |
| Logic low output | | -0.1 | | 0.4 | Vdc |
| PMBUS ADDRESSING | | | | | |
| If the calculated PMBus address is 0d, 11d or 12d, SA0 or SA1 lefts open, default PMBus address 119d is assigned instead. PMBUS address = 8*SA0 + SA1. SA0/SA1 value VS resistor connected to GND. | | | | | |
| 0 | | | 10 | | kΩ |
| 1 | | | 22 | | kΩ |
| 2 | | | 33 | | kΩ |
| 3 | | | 47 | | kΩ |
| 4 | | | 68 | | kΩ |
| 5 | | | 100 | | kΩ |
| 6 | | | 150 | | kΩ |
| 7 | | | 220 | | kΩ |

FUNCTIONAL SPECIFICATIONS, DBE0340 (3.3V, 40A, CONT.)

| PMBus | Conditions ① | Minimum | Typical/Nominal | Maximum | Units |
|---|---|---------|-----------------|---------|----------|
| PMBus MONITORING ACCURACY | | | | | |
| VIN_READ | | -2 | | 2 | % |
| VOUT_READ | | -2 | | 2 | % |
| IOUT_READ (> = 10A) | | -5 | | 5 | % |
| IOUT_READ (<10A) | | -1 | | 1 | A |
| TEMP_READ | | -5 | | 5 | °C |
| DIGITAL INTERFACE SPECIFICATIONS (PMBUS MONITORING & FUNCTIONAL DESCRIPTION) | | | | | |
| Fault Protection Specifications | | | | | |
| Output Voltage, Over Voltage protection, OVP | Factory default | | 4.5 | | V |
| VOUT_OV_FAULT_LIMIT, Configurable via PMBus | >VOUT_OV_WARM_LIMIT | 4.0 | | 5.0 | V |
| | Fault response time | | 200 | | μS |
| Input Voltage, Input Over Voltage Protection | Factory default | | 80 | | V |
| | Setpoint accuracy | -2 | | 2 | % |
| VIN_OV_FAULT_LIMIT (Configurable via PMBus) ④ | >VIN_OV_WARM_LIMIT | | 34 | 110 | V |
| | Delay | | 300 | | μS |
| Input Voltage, Input Under Voltage Protection, UVLV | Factory default | | 32 | | V |
| | Setpoint accuracy | -2 | | 2 | % |
| VIN_FAULT_LIMIT_LIMIT (Configurable via PMBus) ④ | <VIN_UV_WARM_LIMIT <VIN_OV_FAULT_LIMIT <VIN_OFF | | 32 | 75 | V |
| | Delay | | 300 | | μS |
| Over Current Protection, OCP | Setpoint accuracy (Io) | -3 | | 3 | % |
| | (factory default) | | 48 | | A |
| IOUT_OC_FAULT_LIMIT (Configurable via PMBus) ④ | >IOUT_OC_WARN_LIMIT | 0 | | 50 | A |
| | Fault response time | | 200 | | μS |
| Over Temperature Protection, OTP | OT_FAULT_LIMIT (factory default) | | 125 | | °C |
| OT_FAULT_LIMIT (Configurable via PMBus) ④ | >OT_WARM_LIMIT | 0 | | 150 | °C |
| | OTP accuracy (factory default) | 5 | | 5 | °C |
| | Fault response time | | 300 | | μS |
| MECHANICAL (Through Hole Models) | | | | | |
| Outline Dimensions—open frame | | | 2.3x0.9x0.45 | | Inches |
| | WxLxH | | 58.4x22.9x11.4 | | mm |
| Outline Dimensions—with baseplate | | | 2.3x0.9x0.52 | | Inches |
| | WxLxH | | 58.4x22.9x13.2 | | mm |
| Weight | Open frame | | 34 | | Grams |
| | With baseplate | | 45 | | Grams |
| Through Hole Pin Diameter | | | 0.04 & 0.062 | | Inches |
| | | | 1.016 & 1.575 | | mm |
| Through Hole Pin Material | | | Copper alloy | | |
| TH Pin Plating Metal and Thickness | Nickel subplate | | 50 | | μ-inches |
| | Gold overplate | | 5 | | μ-inches |
| ENVIRONMENTAL | | | | | |
| Operating Ambient Temperature Range | with derating | -40 | | 85 | °C |
| Operating Baseplate Temperature | | -40 | | 110 | °C |
| Storage Temperature | Vin = Zero (no power) | -55 | | 125 | °C |
| Thermal Protection/Shutdown | Measured at hotspot | | 125 | | °C |
| Electromagnetic Interference Conducted, EN55022/CISPR22 | External filter required | | B | | Class |
| RoHS rating | | | RoHS-6 | | |

Notes

① Typical at TA = +25°C under nominal line voltage and full-load conditions. All models are specified with an external 1μF multi-layer ceramic and 10μF capacitors across their output pins.

② Over-current protection is non-latching with auto recovery (Hiccup)

③ Regulation specifications describe the output voltage changes as the line voltage or load current is varied from its nominal or midpoint value to either extreme.

FUNCTIONAL SPECIFICATIONS, DBE0240 (5V, 40A)

| ABSOLUTE MAXIMUM RATINGS | Conditions ① | Minimum | Typical/Nominal | Maximum | Units |
|---------------------------|---|---------|-----------------|---------|-------|
| Input Voltage, Continuous | | 0 | | 80 | Vdc |
| Input Voltage, Transient | 100 mS max. duration | | | 100 | Vdc |
| Isolation Voltage | Input to output, continuous | | | 2250 | Vdc |
| Input Reverse Polarity | None, install external fuse | | None | | |
| On/Off Remote Control | Power on, referred to -Vin | 0 | | 13.50 | Vdc |
| Output Power | | 0 | | 200 | W |
| Output Current | Current-limited, no damage, short-circuit protected | 0 | | 40 | A |
| Storage Temperature Range | Vin = Zero (no power) | -55 | | 125 | °C |

Absolute maximums are stress ratings. Exposure of devices to greater than any of these conditions may adversely affect long-term reliability. Proper operation under conditions other than those listed in the Performance/Functional Specifications Table is not implied nor recommended.

| INPUT | | | | | |
|--------------------------------------|---------------------------|----|------|------|----------------------|
| Operating voltage range (V2) | | 36 | 48 | 75 | Vdc |
| Start-up threshold | (Default, Conf via PMBUS) | 32 | 34 | 36 | Vdc |
| Undervoltage shutdown | (Default, Conf via PMBUS) | 30 | 32 | 34 | Vdc |
| Internal Filter Type | | | Pi | | |
| External Input Fuse (Recommended) | | | 10 | | A |
| Input current | | | | | |
| Full Load Conditions | Vin = nominal | | 4.43 | 4.53 | A |
| Low Line input current | Vin = minimum | | 5.94 | 6.03 | A |
| Inrush Transient | Vin = 48V. | | | 0.05 | A ² -Sec. |
| Short Circuit input current | | | 0.05 | 0.10 | A |
| No Load input current | Iout = minimum, unit=ON | | 90 | 120 | mA |
| Shut-Down input current(Off, UV, OT) | | | 20 | 40 | mA |

| GENERAL and SAFETY | | | | | |
|--------------------------|---|----|------------|--|-------------------------|
| Efficiency | Vin=48V, full load | 93 | 94 | | % |
| | Vin=min. | 93 | 93.5 | | % |
| Isolation Voltage | Input to output, continuous | | 2250 | | Vdc |
| | Input to Baseplate, continuous | | 1500 | | Vdc |
| | Output to Baseplate, continuous | | 1500 | | Vdc |
| Insulation Safety Rating | | | Functional | | |
| Isolation Resistance | | | 10 | | MΩ |
| Isolation Capacitance | | | 1000 | | pF |
| Safety | Certified to UL/IEC-62368-1, CSA-C22.2 No.62368-1, IEC60950-1, 2nd edition Per Telcordia SR-332, Issue 1, class 3, ground fixed, Tcase=+25°C | | Yes | | |
| Calculated MTBF | | | 2200 | | Hours x 10 ³ |

| DYNAMIC CHARACTERISTICS | | | | | |
|-----------------------------|---|---|-----|-----|------|
| Fixed Switching Frequency | | | 180 | | KHz |
| Turn on Time | (Default, Conf via PMBUS) Vin On to Vout regulated | | | 50 | mS |
| Ramp-up time | Remote On to Vout regulated | | | 30 | mS |
| Vout Rise Time | Conf via PMBUS, from 0% to 100% | 9 | 15 | 20 | mS |
| Vout Fall Time | Conf via PMBUS, from 100% to 0% | 7 | 10 | 13 | mS |
| Dynamic Load Response | 25-75-25% load step to 1% error band, 1A/uS, with 470uF output external Cap | | 100 | 200 | μSec |
| Dynamic Load Peak Deviation | same as above | | 500 | 700 | mVdc |

| FEATURES and OPTIONS | | | | | |
|---|--------------------------------------|------|---|-------|----|
| Remote On/Off Control | | | | | |
| Primary On/Off control (designed to be driving with an open collector logic, Voltages referenced to -Vin) | | | | | |
| "P" suffix: | | | | | |
| Positive Logic, ON state | ON = pin open or external voltage | 3.5 | | 13.50 | V |
| Positive Logic, OFF state | OFF = ground pin or external voltage | 0 | | 0.80 | V |
| Control Current | open collector/drain | | 1 | 2 | mA |
| "N" suffix: | | | | | |
| Negative Logic, ON state | ON = ground pin or external voltage | -0.1 | | 0.80 | V |
| Negative Logic, OFF state | OFF = pin open or external voltage | 3.5 | | 13.50 | V |
| Control Current | open collector/drain | | 1 | 2 | mA |

FUNCTIONAL SPECIFICATIONS, DBE0240 (5V, 40A, CONT.)

| OUTPUT | Conditions ① | Minimum | Typical/Nominal | Maximum | Units |
|--|---|---------|-----------------|---------|---------------|
| Total Output Power | | 0 | 200 | 202 | W |
| Voltage | | | | | |
| Setting Accuracy | At 100% load, no trim | 4.95 | 5 | 5.05 | Vdc |
| Overvoltage Protection | Conf via PMBUS, Magnetic Feedback | 5.6 | 6 | 7 | Vdc |
| Voltage Droop (Conf via PMBUS) | | | 0 | | MΩ |
| Current | | | | | |
| Output Current Range | | 0 | 40 | 40 | A |
| Minimum Load | | | No minimum load | | |
| Current Limit Inception ② | 90% of Vnom., after warmup, Conf via PMBUS | 44 | 49 | 53 | A |
| Short Circuit | | | | | |
| Short Circuit Current | Hiccup technique, autorecovery within 1% of Vout | | 2.5 | 3.0 | A |
| Short Circuit Duration (remove short for recovery) | Output shorted to ground, no damage | | Continuous | | |
| Short circuit protection method | Hiccup current limiting | | Non-latching | | |
| Regulation ③ | | | | | |
| Line Regulation | Vin=min. to max., Vout=nom., full load | | | ±0.3 | % |
| Load Regulation | Iout=min. to max., Vin=nom. | | | ±0.25 | % |
| Ripple and Noise | 5 Hz- 20 MHz BW, Cout=1μF MLCC paralleled with 10μF | | | 100 | mV pk-pk |
| Temperature Coefficient | At all outputs | | 0.02 | | % of Vnom./°C |
| Output Capacitance | Low ESR | 220 | | 7500 | μF |
| Power Good—Negative logic (Conf via PMBUS) | | | | | |
| Power good high stage voltage | | 2.4 | | 3.6 | Vdc |
| Power good low stage voltage | | -0.1 | | 0.40 | Vdc |
| Out voltage for power good off triggering | Conf via PMBUS | 3 | 3.5 | 4 | Vdc |
| Out Voltage for power good on triggering | Conf via PMBUS | 3.75 | 4.25 | 4.75 | Vdc |
| PMBus | | | | | |
| PMBUS GENERAL | | | | | |
| PMBUS REV. 1.2. SMBALERT# is supported. PEC is supported. Linear data format used. | | | | | |
| Bus speed | | | | 400 | Khz |
| Logic high input | | 2 | | 3.3 | Vdc |
| Logic low input | | -0.1 | | 0.8 | Vdc |
| Logic high output | | 2.4 | | 3.6 | Vdc |
| Logic low output | | -0.1 | | 0.4 | Vdc |
| PMBUS ADDRESSING | | | | | |
| If the calculated PMBus address is 0d, 11d or 12d, SA0 or SA1 lefts open, default PMBus address 119d is assigned instead. PMBUS address = 8*SA0 + SA1. SA0/SA1 value VS resistor connected to GND. | | | | | |
| 0 | | | 10 | | kΩ |
| 1 | | | 22 | | kΩ |
| 2 | | | 33 | | kΩ |
| 3 | | | 47 | | kΩ |
| 4 | | | 68 | | kΩ |
| 5 | | | 100 | | kΩ |
| 6 | | | 150 | | kΩ |
| 7 | | | 220 | | kΩ |

FUNCTIONAL SPECIFICATIONS, DBE0240 (5V, 40A, CONT.)

| PMBus | Conditions ① | Minimum | Typical/Nominal | Maximum | Units |
|---|---|---------|-----------------|---------|----------|
| PMBus MONITORING ACCURACY | | | | | |
| VIN_READ | | -2 | | 2 | % |
| VOUT_READ | | -2 | | 2 | % |
| IOUT_READ (> = 10A) | | -5 | | 5 | % |
| IOUT_READ (<10A) | | -1 | | 1 | A |
| TEMP_READ | | -5 | | 5 | °C |
| DIGITAL INTERFACE SPECIFICATIONS (PMBUS MONITORING & FUNCTIONAL DESCRIPTION) | | | | | |
| Fault Protection Specifications | | | | | |
| Output Voltage, Over Voltage protection, OVP | Factory default | | 6 | | V |
| VOUT_OV_FAULT_LIMIT, Configurable via PMBus | >VOUT_OV_WARM_LIMIT | 5.6 | | 7 | V |
| | Fault response time | | 200 | | μS |
| Input Voltage, Input Over Voltage Protection | Factory default | | 80 | | V |
| | Setpoint accuracy | -2 | | 2 | % |
| VIN_OV_FAULT_LIMIT (Configurable via PMBus) ④ | >VIN_OV_WARM_LIMIT | | 34 | 110 | V |
| | Delay | | 300 | | μS |
| Input Voltage, Input Under Voltage Protection, UVLV | Factory default | | 32 | | V |
| | Setpoint accuracy | -2 | | 2 | % |
| VIN_FAULT_LIMIT_LIMIT(Configurable via PMBus) ④ | <VIN_UV_WARM_LIMIT <VIN_OV_FAULT_LIMIT <VIN_OFF | | 32 | 75 | V |
| | Delay | | 300 | | μS |
| Over Current Protection, OCP | Setpoint accuracy (Io) | -3 | | 3 | % |
| | (factory default) | | 48 | | A |
| IOUT_OC_FAULT_LIMIT (Configurable via PMBus) ④ | >IOUT_OC_WARN_LIMIT | 0 | | 50 | A |
| | Fault response time | | 200 | | μS |
| Over Temperature Protection, OTP | OT_FAULT_LIMIT (factory default) | | 125 | | °C |
| OT_FAULT_LIMIT (Configurable via PMBus) ④ | >OT_WARM_LIMIT | 0 | | 150 | °C |
| | OTP accuracy (factory default) | 5 | | 5 | °C |
| | Fault response time | | 300 | | μS |
| MECHANICAL (Through Hole Models) | | | | | |
| Outline Dimensions—open frame | | | 2.3x0.9x0.45 | | Inches |
| | WxLxH | | 58.4x22.9x11.4 | | mm |
| Outline Dimensions—with baseplate | | | 2.3x0.9x0.52 | | Inches |
| | WxLxH | | 58.4x22.9x13.2 | | mm |
| Weight | Open frame | | 34 | | Grams |
| | With baseplate | | 45 | | Grams |
| Through Hole Pin Diameter | | | 0.04 & 0.062 | | Inches |
| | | | 1.016 & 1.575 | | mm |
| Through Hole Pin Material | | | Copper alloy | | |
| TH Pin Plating Metal and Thickness | Nickel subplate | | 50 | | μ-inches |
| | Gold overplate | | 5 | | μ-inches |
| ENVIRONMENTAL | | | | | |
| Operating Ambient Temperature Range | with derating | -40 | | 85 | °C |
| Operating Baseplate Temperature | | -40 | | 110 | °C |
| Storage Temperature | Vin = Zero (no power) | -55 | | 125 | °C |
| Thermal Protection/Shutdown | Measured at hotspot | | 125 | | °C |
| Electromagnetic Interference Conducted, EN55022/CISPR22 | External filter required | | B | | Class |
| RoHS rating | | | RoHS-6 | | |

Notes

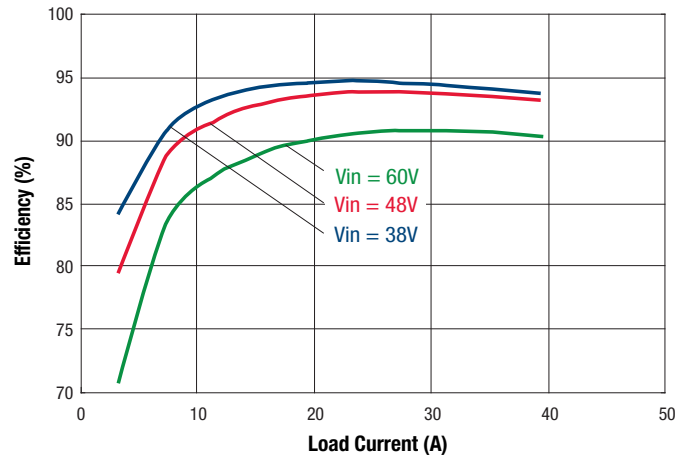
① Typical at TA = +25°C under nominal line voltage and full-load conditions. All models are specified with an external 1μF multi-layer ceramic and 10μF capacitors across their output pins.

② Over-current protection is non-latching with auto recovery (Hiccup)

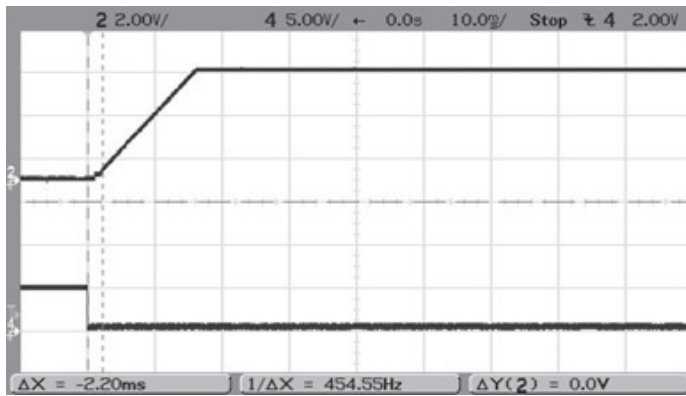
③ Regulation specifications describe the output voltage changes as the line voltage or load current is varied from its nominal or midpoint value to either extreme.

TYPICAL PERFORMANCE DATA, DBE0240 (5V, 40A)

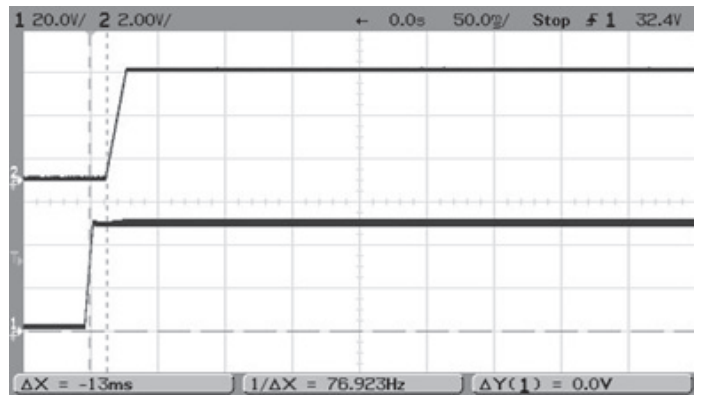
Efficiency vs. Load Current @ 25°C, with baseplate



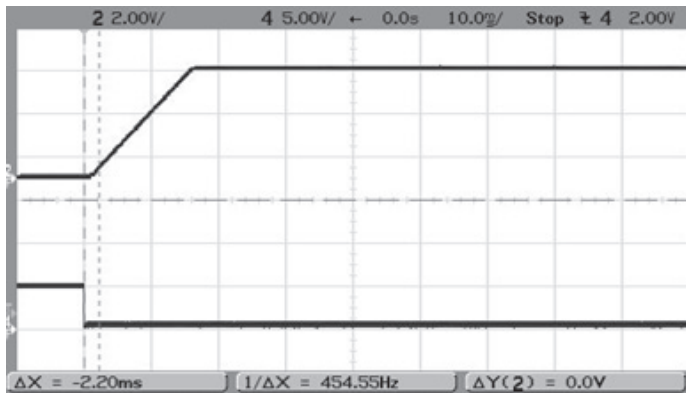
On/Off Enable Start-up (Vin = 48V, Vout = nom, Iout = 40A, Cload = 10000µf, Ta = +25°C)
ch2 = Vout, ch4 = Enable



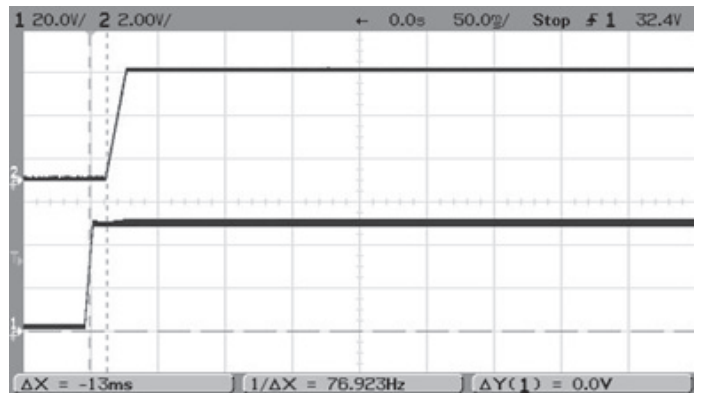
Start-up Delay (Vin = 48V, Vout = nom, Iout = 40A, Cload = 10000µf, Ta = +25°C)
ch1 = Vin, ch2 = Vout



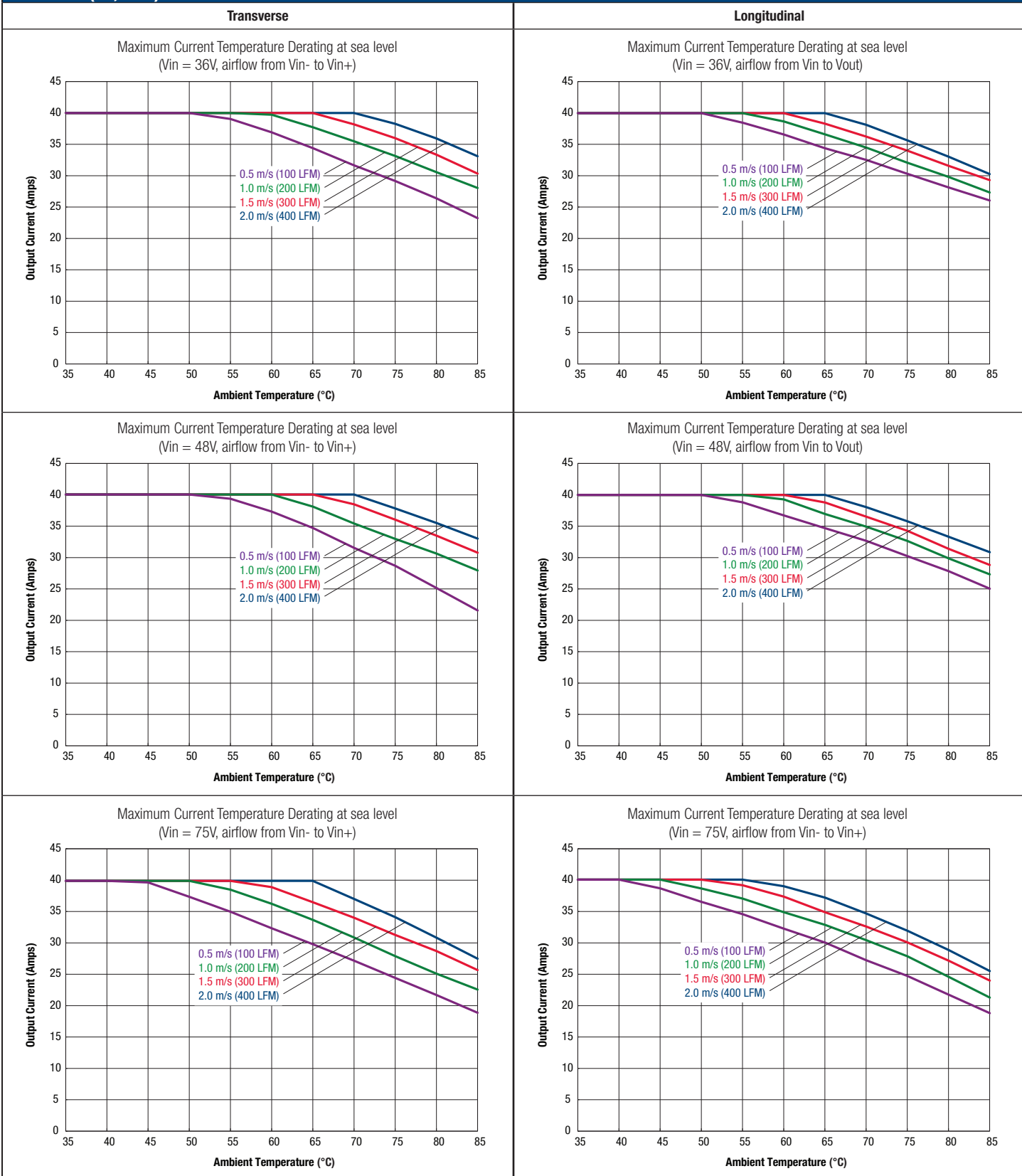
On/Off Enable Start-up (Vin = 48V, Vout = nom, Iout = 40A, Cload = 0, Ta = +25°C)
ch2 = Vout, ch4 = Enable



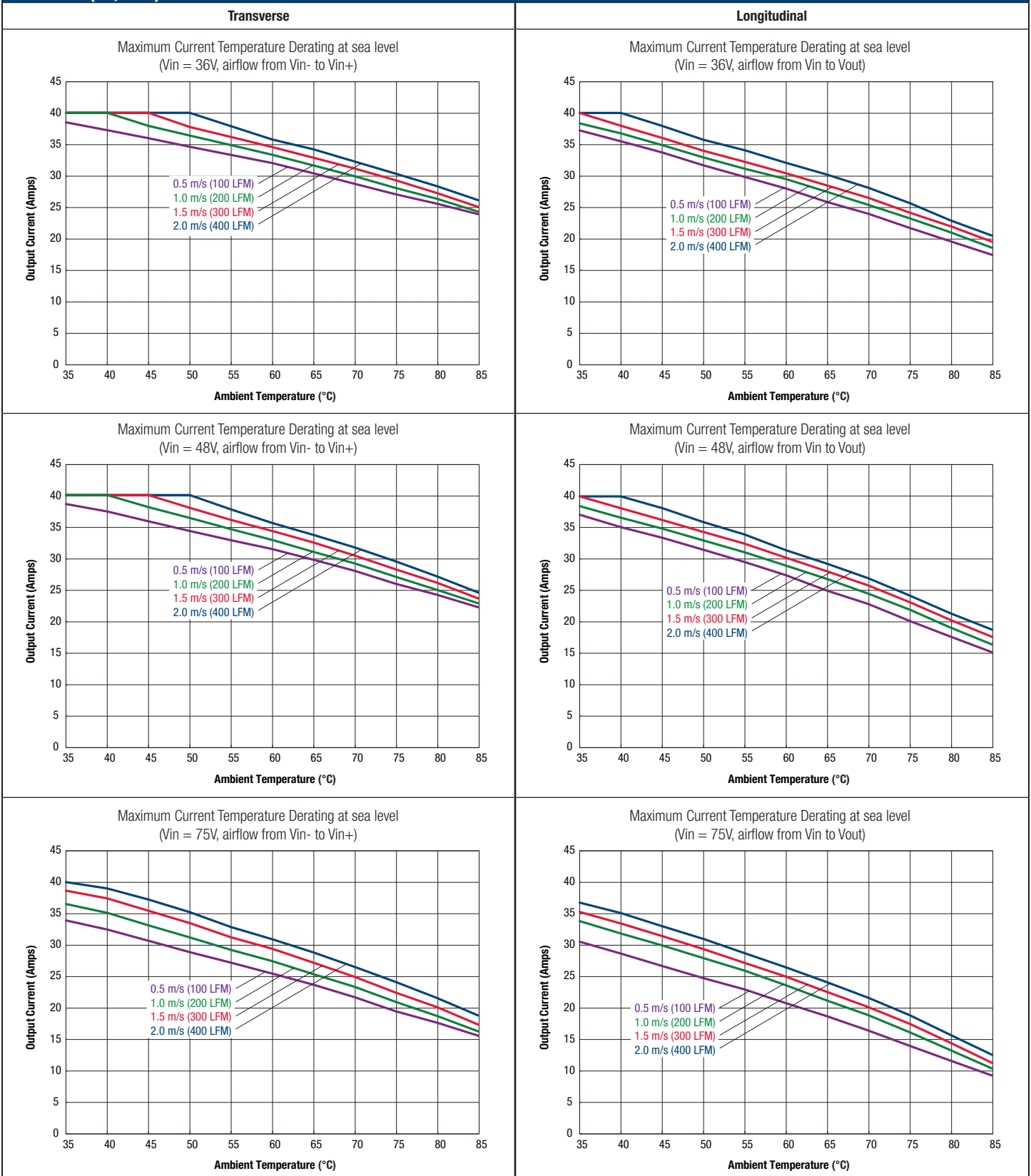
Start-up Delay (Vin = 48V, Vout = nom, Iout = 40A, Cload = 0, Ta = +25°C) ch1 = Vin, ch2 = Vout



DBE0240 (5V, 40A) PERFORMANCE DATA: TEMPERATURE DERATING WITH BASEPLATE



DBE0240 (5V, 40A) PERFORMANCE DATA: TEMPERATURE DERATING WITHOUT BASEPLATE



FUNCTIONAL SPECIFICATIONS, DBE0125 (12V, 25A)

| ABSOLUTE MAXIMUM RATINGS | Conditions ① | Minimum | Typical/Nominal | Maximum | Units |
|--|--|---------|-----------------|---------|-------------------------|
| Input Voltage, Continuous | | 0 | | 80 | Vdc |
| Input Voltage, Transient | 100 mS max. duration | | | 100 | Vdc |
| Isolation Voltage | Input to output, continuous | | | 2250 | Vdc |
| Input Reverse Polarity | None, install external fuse | | None | | |
| On/Off Remote Control | Power on, referred to -Vin | 0 | | 13.50 | Vdc |
| Output Power | | 0 | | 306 | W |
| Output Current | Current-limited, no damage, short-circuit protected | 0 | | 25 | A |
| Storage Temperature Range | Vin = Zero (no power) | -55 | | 125 | °C |
| Absolute maximums are stress ratings. Exposure of devices to greater than any of these conditions may adversely affect long-term reliability. Proper operation under conditions other than those listed in the Performance/Functional Specifications Table is not implied nor recommended. | | | | | |
| INPUT | | | | | |
| Operating voltage range | | 36 | 48 | 75 | Vdc |
| Start-up threshold | (Default, Conf via PMBUS) | 32 | 34 | 36 | Vdc |
| Undervoltage shutdown | (Default, Conf via PMBUS) | 30 | 32 | 34 | Vdc |
| Internal Filter Type | | | PI | | |
| External Input fuse | | | 20 | | A |
| Input current | | | | | |
| Full Load Conditions | Vin = nominal | | 9.25 | 9.6 | A |
| Low Line input current | Vin = minimum | | 12.28 | 12.8 | A |
| Inrush Transient | Vin = 48V. | | | 0.05 | A ² -Sec. |
| Short Circuit input current | | | 0.03 | 0.10 | A |
| No Load input current | Iout = minimum, unit=ON | | 110 | 150 | mA |
| Shut-Down input current (Off, UV, OT) | | | 20 | 40 | mA |
| Back Ripple Current | Measured at the input of module with a simulated source impedance of 4.7μH, 220μF, 100V, across source, 33μF, 100V external capacitors across input pins | | 2000 | 3000 | mAp-p |
| Back Ripple Current (no filtering) | | | 620 | 1000 | mAp-p |
| GENERAL and SAFETY | | | | | |
| Efficiency | Vin=48V, full load | 93 | 94.6 | | % |
| | Vin=min. | 93 | 95 | | % |
| Isolation Voltage | Input to output, continuous | | 2250 | | Vdc |
| | Input to Baseplate, continuous | | 1500 | | Vdc |
| | Output to Baseplate, continuous | | 1500 | | Vdc |
| Insulation Safety Rating | | | Functional | | |
| Isolation Resistance | | | 10 | | MΩ |
| Isolation Capacitance | | | 1500 | | pF |
| Safety | Certified to UL/IEC-62368-1, CSA-C22.2 No.62368-1, IEC/EN60950-1, 2nd edition Per Telcordia SR-332, issue 1, class 3, ground fixed, Tcase=+25°C | | Yes | | |
| Calculated MTBF | | | 1800 | | Hours x 10 ³ |
| DYNAMIC CHARACTERISTICS | | | | | |
| SWITCHING FREQUENCY (Configurable via PMBUS) | | | 180 | | kHz |
| TURN ON TIME (Default, Configurable via PMBUS) | | | | | |
| Vin On to Vout Regulated (100% Vout) | | | | 60 | ms |
| Remote On to Vout Regulated (100% Vout) | | | | 30 | ms |
| Vin Start up delay time | | | 25 | 40 | ms |
| Enable Start up delay time | | | | 10 | ms |
| VOU RISE TIME (Default, Configurable via PMBUS) | | | | | |
| From 0%~100% | | 16 | 20 | 23 | ms |
| From 10%~90% | | 12.8 | 16 | 18.4 | ms |
| VOU FALL TIME OF REGULATED OFF (Default, Configurable via PMBUS) | | | | | |
| From 100%~0% | | 16 | 20 | 23 | ms |
| From 90%~10% | | 12.8 | 16 | 18.4 | ms |
| Dynamic Load Response | 25-75-25% load step to 1% error band | | 150 | 300 | μSec |
| Dynamic Load Peak Deviation | same as above | | 400 | 500 | mVdc |

FUNCTIONAL SPECIFICATIONS, DBE0125 (12V, 25A, CONT.)

| FEATURES and OPTIONS | Conditions ① | Minimum | Typical/Nominal | Maximum | Units |
|---|---|---------|-----------------|---------|---------------|
| Remote On/Off Control | | | | | |
| Primary On/Off control (designed to be driving with an open collector logic, Voltages referenced to -Vin) | | | | | |
| "P" suffix: | | | | | |
| Positive Logic, ON state | ON = pin open or external voltage | 3.5 | | 13.5 | V |
| Positive Logic, OFF state | OFF = ground pin or external voltage | 0 | | 0.8 | V |
| Control Current | open collector/drain | | 1 | 2 | mA |
| "N" suffix: | | | | | |
| Negative Logic, ON state | ON = ground pin or external voltage | -0.1 | | 0.8 | V |
| Negative Logic, OFF state | OFF = pin open or external voltage | 3.5 | | 13.5 | V |
| Control Current | open collector/drain | | 1 | 2 | mA |
| Remote Sense Compliance | Sense pins connected externally to respective Vout pins | | | 10 | % |
| OUTPUT | | | | | |
| Total Output Power | | 0 | 300 | 306 | W |
| Voltage | | | | | |
| Setting Accuracy | At 100% load, no trim | 11.76 | 12 | 12.24 | Vdc |
| Overvoltage Protection | Conf via PMBUS, Magnetic Feedback | 13.8 | 14.4 | 15.6 | Vdc |
| Voltage Droop (Conf via PMBUS) | without "S" suffix | | 0 | | MΩ |
| | with "S" suffix | | 10 | | MΩ |
| Current | | | | | |
| Output Current Range | | 0 | | 25 | A |
| Minimum Load | | | No minimum load | | |
| Current Limit Inception ② | 98% of Vnom., after warmup, Conf via PMBUS | 27 | 29 | 31 | A |
| Short Circuit | | | | | |
| Short Circuit Current | Hiccup technique, autorecovery within 1% of Vout | | 0.4 | 1 | A |
| Short Circuit Duration (remove short for recovery) | Output shorted to ground, no damage | | Continuous | | |
| Short circuit protection method | Hiccup current limiting | | Non-latching | | |
| Regulation ③ | | | | | |
| Line Regulation | Vin=min. to max., Vout=nom., full load | | | ±75 | mV |
| Load Regulation | Iout=min. to max., Vin=nom. | | | ±45 | mV |
| Ripple and Noise | 5 Hz- 20 MHz BW, Cout=1μF MLCC paralleled with 10μF | | 80 | 150 | mV pk-pk |
| Temperature Coefficient | At all outputs | | 0.01 | 0.02 | % of Vnom./°C |
| Maximum Output Capacitance | Low ESR | 100 | | 10,000 | μF |
| Power Good—Negative logic (Conf via PMBUS) | | | | | |
| Power good high stage voltage | | 2.4 | | 3.6 | Vdc |
| Power good low stage voltage | | -0.1 | | 0.4 | Vdc |
| Out voltage for power good off triggering | Conf via PMBUS | 8.64 | 9.6 | 10.56 | Vdc |
| Out Voltage for power good on triggering | Conf via PMBUS | 9.72 | 10.8 | 11.88 | Vdc |
| PMBUS | | | | | |
| PMBUS GENERAL | | | | | |
| PMBUS REV. 1.2. SMBALERT# is supported. PEC is supported. Linear data format used. | | | | | |
| Bus speed | | | | 400 | Khz |
| Logic high input | | 2 | | 3.3 | Vdc |
| Logic low input | | 0 | | 0.8 | Vdc |
| Logic high output | | 2.4 | | 3.6 | Vdc |
| Logic low output | | -0.1 | | 0.4 | Vdc |

FUNCTIONAL SPECIFICATIONS, DBE0125 (12V, 25A, CONT.)

| PMBus | Conditions ① | Minimum | Typical/Nominal | Maximum | Units |
|--|---|---------|-----------------|---------|----------|
| PMBUS ADDRESSING | | | | | |
| If the calculated PMBus address is 0d, 11d or 12d, SA0 or SA1 lefts open, default PMBus address 119d is assigned instead. PMBUS address = 8*SA0 + SA1. SA0/SA1 value VS resistor connected to GND. | | | | | |
| 0 | | | 10 | | kΩ |
| 1 | | | 22 | | kΩ |
| 2 | | | 33 | | kΩ |
| 3 | | | 47 | | kΩ |
| 4 | | | 68 | | kΩ |
| 5 | | | 100 | | kΩ |
| 6 | | | 150 | | kΩ |
| 7 | | | 220 | | kΩ |
| PMBus MONITORING ACCURACY | | | | | |
| VIN_READ | | -3 | | 3 | % |
| VOUT_READ | | -2 | | 2 | % |
| IOUT_READ | | -1.5 | | 1.5 | A |
| TEMP_READ | | -5 | | 5 | °C |
| DIGITAL INTERFACE SPECIFICATIONS (PMBUS MONITORING & FUNCTIONAL DESCRIPTION) | | | | | |
| Fault Protection Specifications | | | | | |
| Output Voltage, Over Voltage protection, OVP | Factory default | | 14.4 | | V |
| VOUT_OV_FAULT_LIMIT, Configurable via PMBus | >VOUT_OV_WARM_LIMIT | 8.1 | | 15.6 | V |
| | Fault response time | | 200 | | μS |
| Input Voltage, Input Over Voltage Protection | Factory default | | 80 | | V |
| | Setpoint accuracy | -2 | | 2 | % |
| VIN_OV_FAULT_LIMIT (Configurable via PMBus) ④ | >VIN_OV_WARM_LIMIT | | 34 | 110 | V |
| | Delay | | 300 | | μS |
| Input Voltage, Input Under Voltage Protection, UVLV | Factory default | | 32 | | V |
| | Setpoint accuracy | -2 | | 2 | % |
| VIN_FAULT_LIMIT_LIMIT (Configurable via PMBus) ④ | <VIN_UV_WARM_LIMIT <VIN_OV_FAULT_LIMIT <VIN_OFF | | 32 | 75 | V |
| | Delay | | 300 | | μS |
| Over Current Protection, OCP | Setpoint accuracy (Io) | -3 | | 3 | % |
| | (factory default) | | 29 | | A |
| IOUT_OC_FAULT_LIMIT (Configurable via PMBus) ④ | >IOUT_OC_WARN_LIMT | 0 | | 34 | A |
| | Fault response time | | 200 | | μS |
| Over Temperature Protection, OTP | OT_FAULT_LIMIT (factory default) | | 120/125 | | °C |
| OT_FAULT_LIMIT (Configurable via PMBus) ④ | >OT_WARM_LIMIT | 30 | | 130 | °C |
| | OTP accuracy (factory default) | 5 | | 5 | °C |
| | Fault response time | | 300 | | μS |
| MECHANICAL (Through Hole Models) | | | | | |
| Outline Dimensions—open frame | | | 2.3x0.9x0.46 | | Inches |
| | WxLxH | | 58.4x22.7x11.7 | | mm |
| Outline Dimensions—with baseplate | | | 2.3x0.9x0.52 | | Inches |
| | WxLxH | | 58.4x22.7x13.2 | | mm |
| Weight—open frame | | | 0.98 | | Ounces |
| | | | 28 | | Grams |
| Weight—with baseplate | | | 1.37 | | Ounces |
| | | | 39 | | Grams |
| Through Hole Pin Diameter | | | 0.04 & 0.062 | | Inches |
| | | | 1.016 & 1.575 | | mm |
| Through Hole Pin Material | | | Copper alloy | | |
| TH Pin Plating Metal and Thickness | Nickel subplate | | 50 | | μ-inches |
| | Gold overplate | | 5 | | μ-inches |

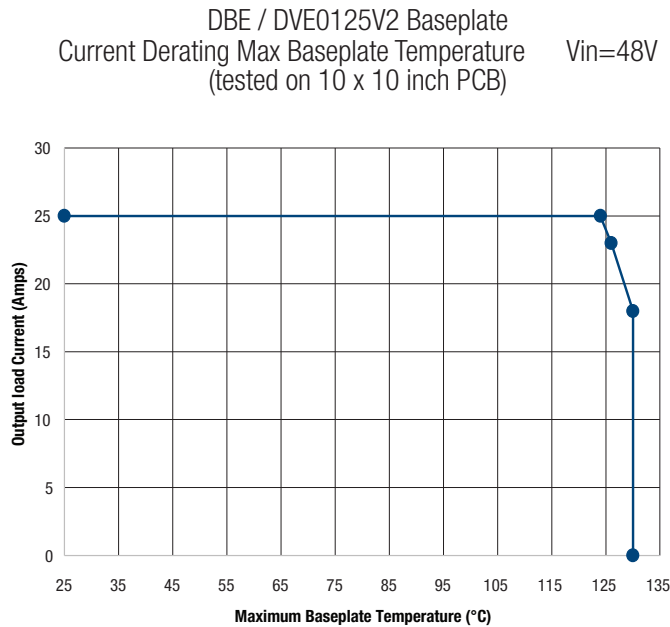
FUNCTIONAL SPECIFICATIONS, DBE0125 (12V, 25A, CONT.)

| ENVIRONMENTAL | Conditions ① | Minimum | Typical/Nominal | Maximum | Units |
|--|-----------------------------------|---------|-----------------|---------|-------|
| Operating Ambient Temperature Range | With derating | -40 | | 85 | °C |
| Operating Baseplate Temperature | No derating according to IPC 9592 | -40 | | 110 | °C |
| Storage Temperature | Vin = Zero (no power) | -55 | | 125 | °C |
| Thermal Protection/Shutdown—open frame | Measured at hotspot | | 140 | | °C |
| Thermal Protection/Shutdown with baseplate ④ | | | 130 | | °C |
| Electromagnetic Interference Conducted, EN55022/CISPR22 | External filter required | | B | | Class |
| Radiated, EN55022/CISPR22 | | | B | | Class |
| RoHS rating | | | RoHS-6 | | |

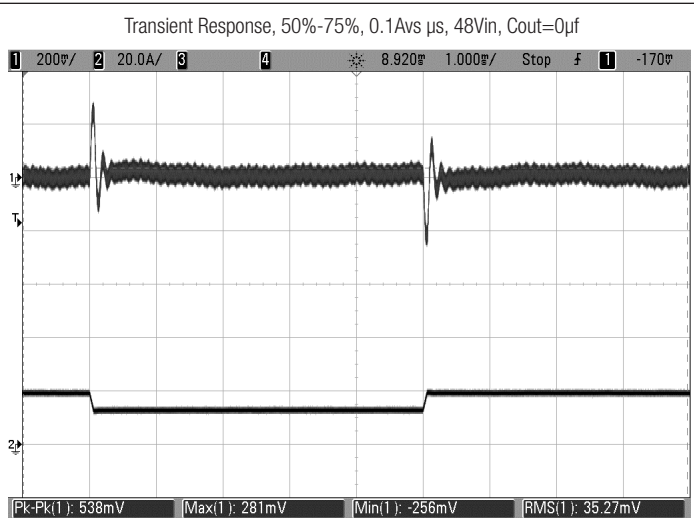
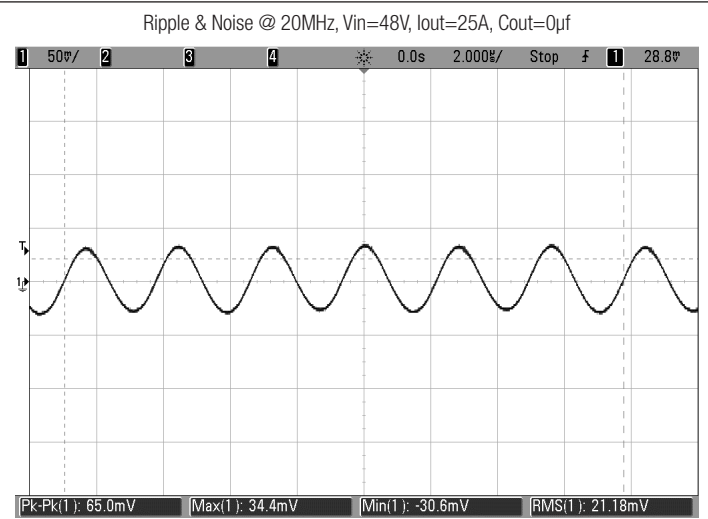
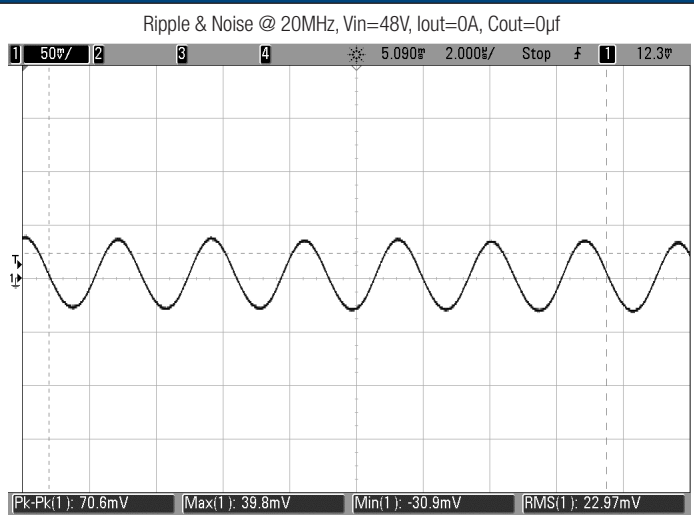
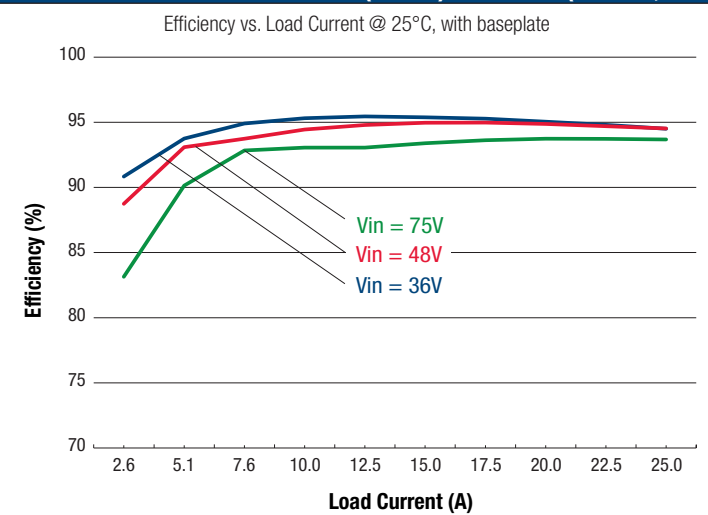
Notes

- ① Typical at TA = +25°C under nominal line voltage and full-load conditions. All models are specified with an external 1µF multi-layer ceramic and 10µF capacitors across their output pins.
- ② Over-current protection is non-latching with auto recovery (Hiccup)
- ③ Regulation specifications describe the output voltage changes as the line voltage or load current is varied from its nominal or midpoint value to either extreme.
- ④ When baseplate temperature is above the maximum operating baseplate temperature of 110°C and below thermal protection temperature of 130°C, the module will continue working but the thermal stress will be above the IPC9592 guide limit for long-term operation. It is not recommended to run in such a situation long-term.

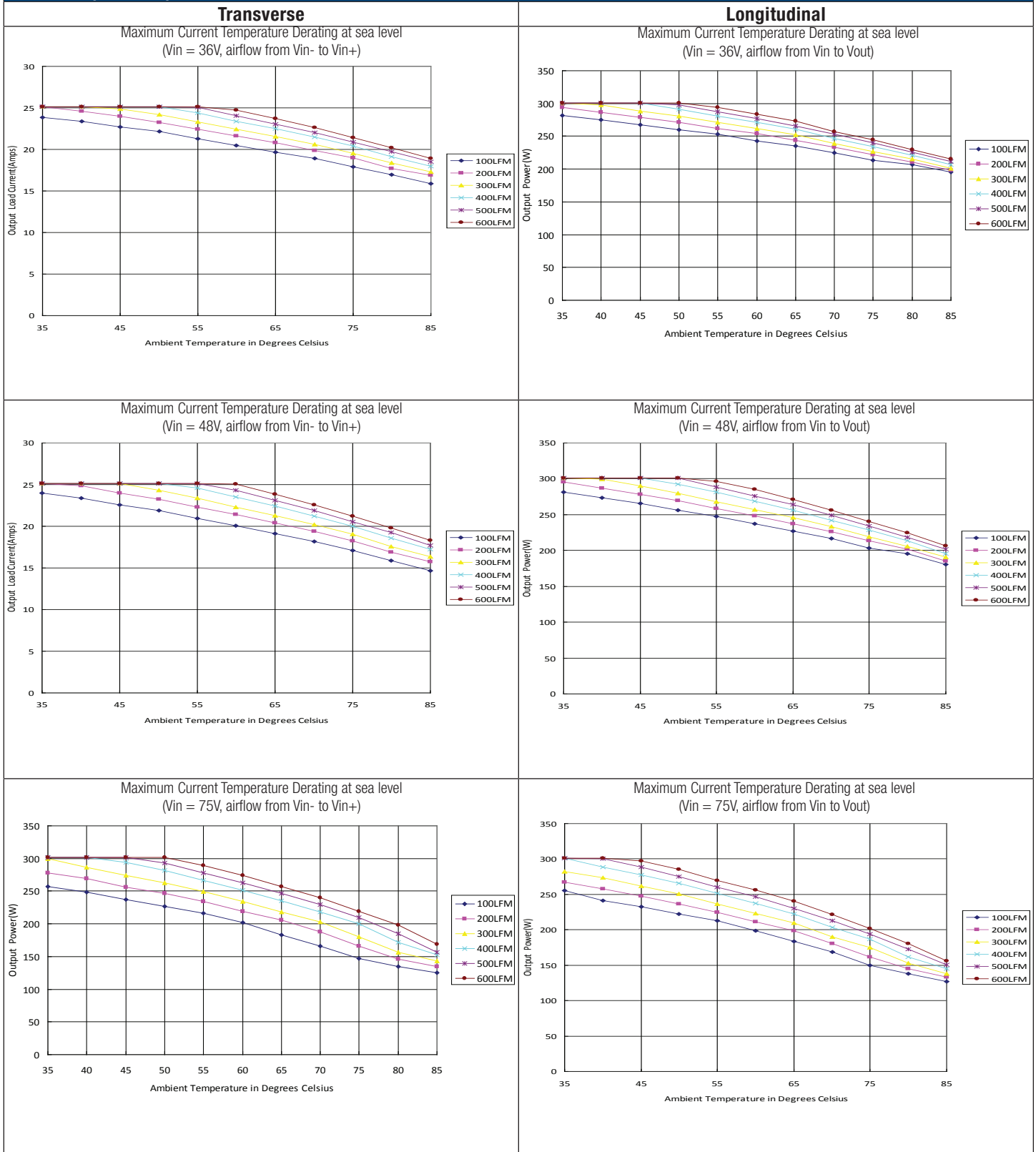
TYPICAL PERFORMANCE DATA, DBE0125 (12Vout, 25A)



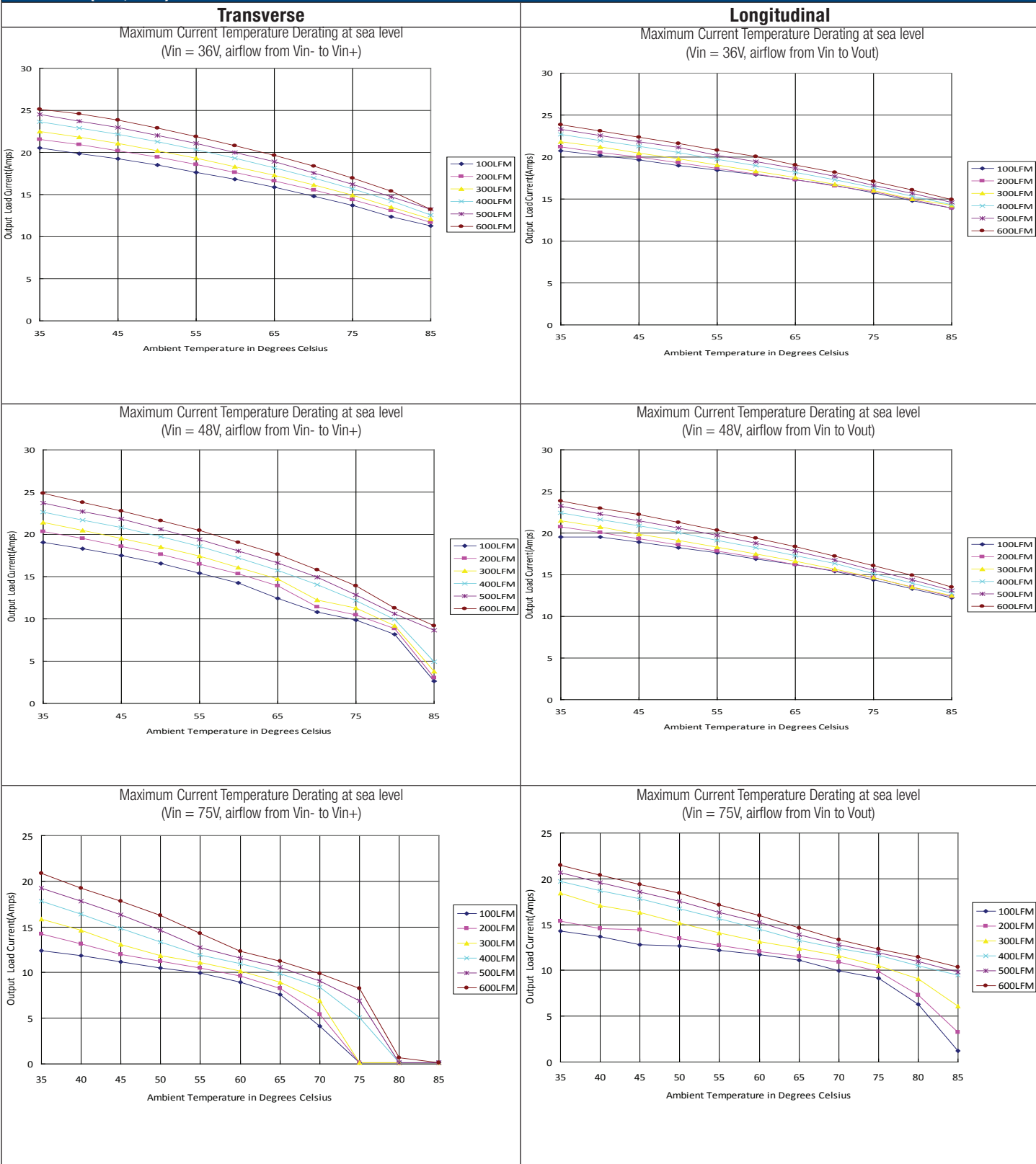
TYPICAL PERFORMANCE DATA (CONT.) DBE0125 (12Vout, 25A)



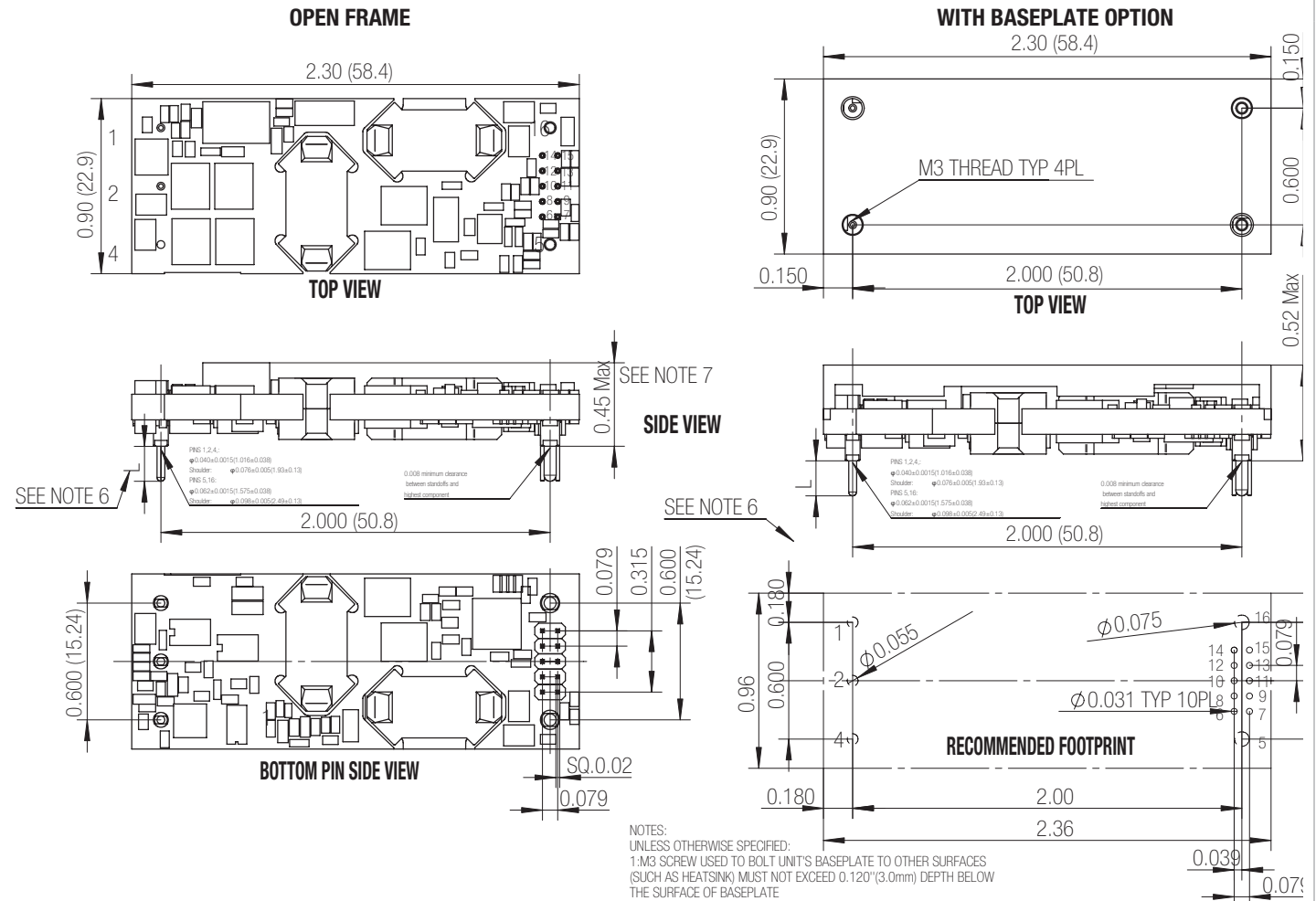
DVE0125 (12V, 25A) PERFORMANCE DATA: TEMPERATURE DERATING WITH BASEPLATE



DVE0125 (12V, 25A) PERFORMANCE DATA: TEMPERATURE DERATING WITHOUT BASEPLATE



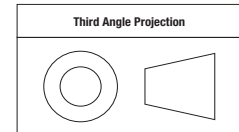
MECHANICAL SPECIFICATIONS - DBE SERIES



NOTES:
 UNLESS OTHERWISE SPECIFIED:
 1:M3 SCREW USED TO BOLT UNIT'S BASEPLATE TO OTHER SURFACES (SUCH AS HEATSINK) MUST NOT EXCEED 0.120"(3.0mm) DEPTH BELOW THE SURFACE OF BASEPLATE
 2:APPLIED TORQUE PER SCREW SHOULD NOT EXCEED 5.3in-lb(0.6Nm);
 3:ALL DIMENSION ARE IN INCHES(MILIMETER);
 4:ALL TOLERANCES: x.x×in, ±0.02in(x.xmm), ±0.5mm) x.x×in, ±0.01in(x.x×mm), ±0.25mm)
 5:COMPONENT WILL VARY BETWEEN MODELS
 6:STANDARD PIN LENGTH: 0.180 INCH
 FOR 1 PIN LENGTH OPTION IN MODEL NAME, THE LENGTH SHOULD BE 0.110 INCH
 FOR 2 PIN LENGTH OPTION, PLEASE SEE THE PART NUMBER STRUCTURE ON P. 2;
 USE STANDARD 2 PIN WITH PIN LENGTH TO 0.145 INCH
 7:0.45" (Max) for the DBE0340 & DBE0540
 0.46" (Max) for the DBE0125

| INPUT/OUTPUT CONNECTIONS | | |
|--------------------------|-------------|--------------------------|
| Pin | Designation | Function |
| 1 | +VIN | Positive Input |
| 2 | RC | Remote Control |
| 4 | -VIN | Negative Input |
| 5 | -VOUT | Negative Output |
| 6 | +S | Positive Remote Sense |
| 7 | -S | Negative Remote Sense |
| 8 | SA0 | Address Pin 0 |
| 9 | SA1 | Address Pin 1 |
| 10 | SCL | PMBus Clock |
| 11 | SDA | PMBus Data |
| 12 | PG | Power Good Output |
| 13 | DGND | PMBus Ground |
| 14 | SMBALERT | PMBus Alert Signal |
| 15 | CTRL | Secondary Remote Control |
| 16 | +VOUT | Positive Output |

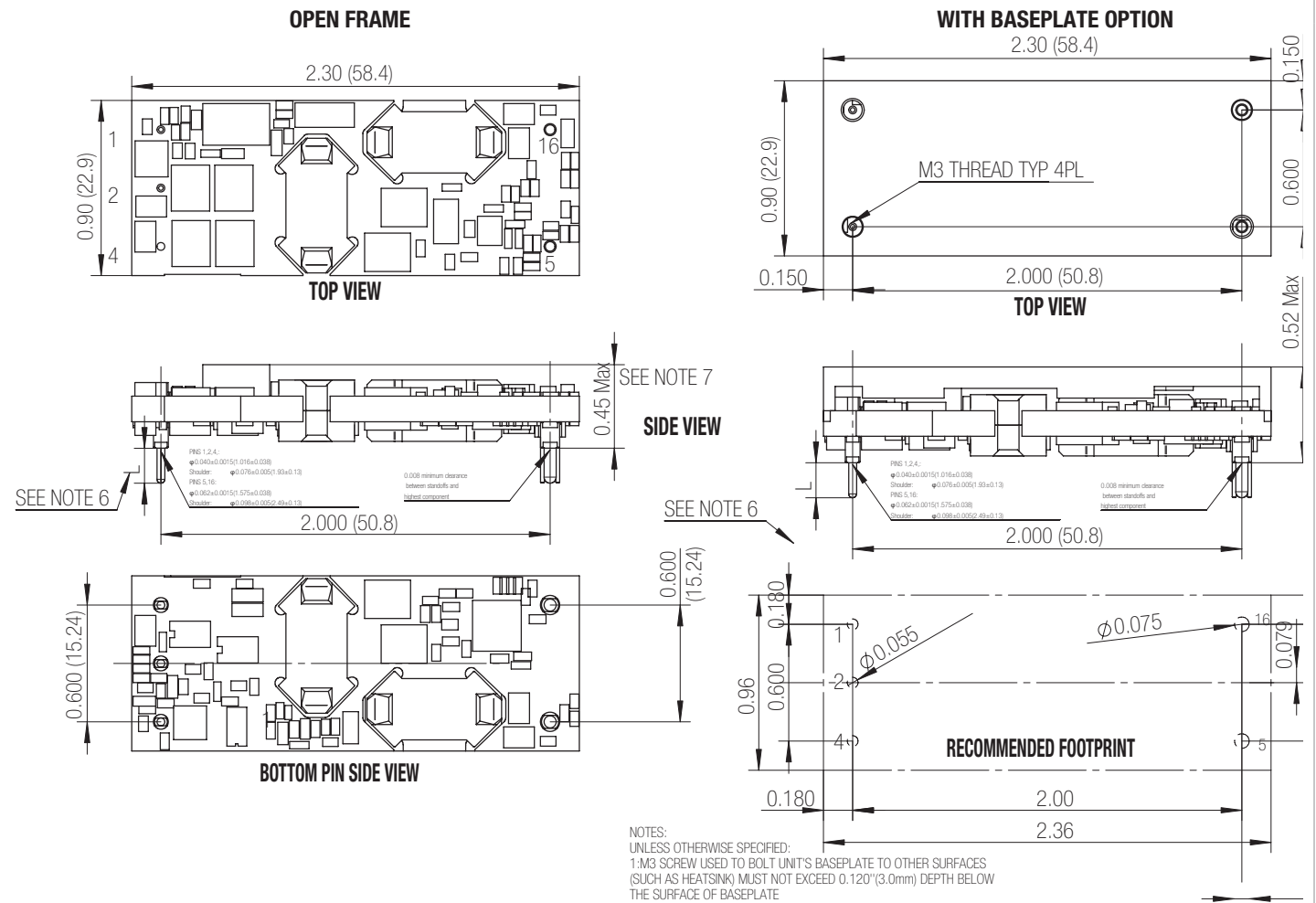
Dimensions are in inches (mm shown for ref. only).



Tolerances (unless otherwise specified):
 .XX ± 0.02 (0.5)
 .XXX ± 0.010 (0.25)
 Angles ± 2°

Components are shown for reference only and may vary between units.

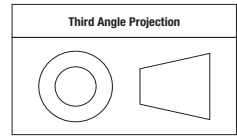
MECHANICAL SPECIFICATIONS - DVE SERIES



- NOTES:
 UNLESS OTHERWISE SPECIFIED:
 1: M3 SCREW USED TO BOLT UNIT'S BASEPLATE TO OTHER SURFACES (SUCH AS HEATSINK) MUST NOT EXCEED 0.120" (3.0mm) DEPTH BELOW THE SURFACE OF BASEPLATE
 2: APPLIED TORQUE PER SCREW SHOULD NOT EXCEED 5.3in-lb(0.6Nm);
 3: ALL DIMENSION ARE IN INCHES(MILIMETER);
 4: ALL TOLERANCES: x.x×in, ±0.02in(x.xmm), ±0.5mm) x.x××in, ±0.01in(x.x×mm), ±0.25mm)
 5: COMPONENT WILL VARY BETWEEN MODELS
 6: STANDARD PIN LENGTH: 0.180 INCH
 FOR 1 PIN LENGTH OPTION IN MODEL NAME, THE LENGTH SHOULD BE 0.110 INCH
 FOR 2 PIN LENGTH OPTION, PLEASE SEE THE PART NUMBER STRUCTURE ON P. 2;
 USE STANDARD 2 PIN WITH PIN LENGTH TO 0.145 INCH
 7: 0.45" (Max) for the DBE0340 & DBE0540
 0.46" (Max) for the DBE0125

| INPUT/OUTPUT CONNECTIONS | | |
|--------------------------|-------------|-----------------|
| Pin | Designation | Function |
| 1 | +VIN | Positive Input |
| 2 | RC | Remote Control |
| 4 | -VIN | Negative Input |
| 5 | -VOUT | Negative Output |
| 16 | +VOUT | Positive Output |

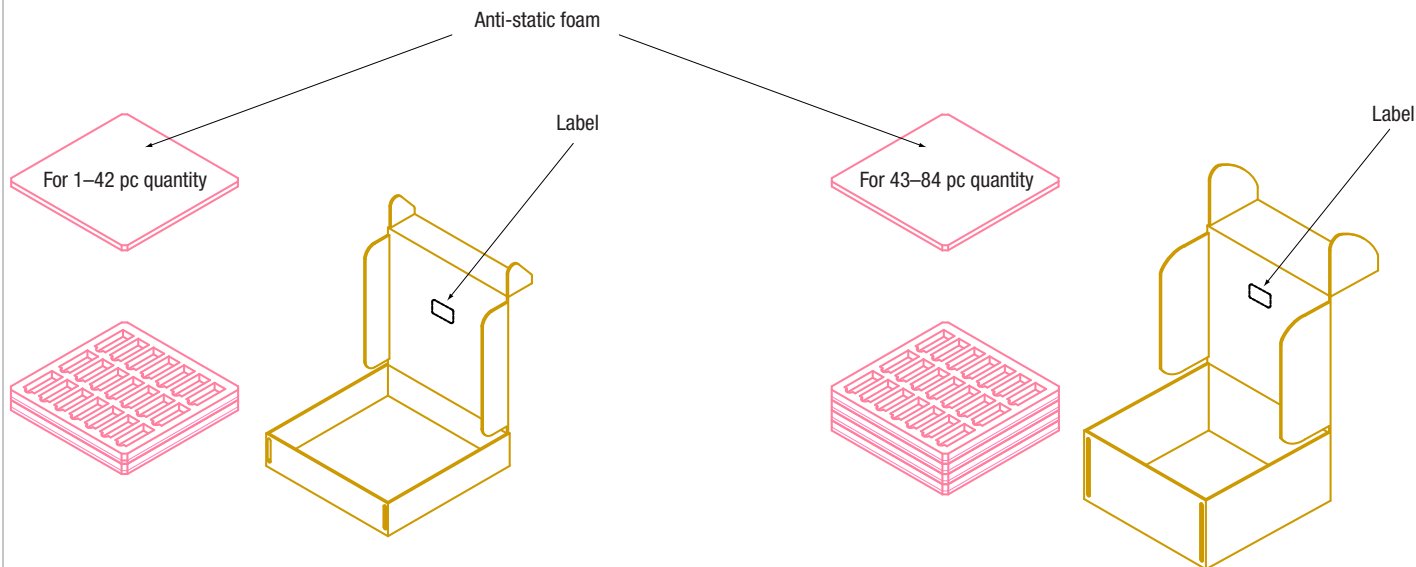
Dimensions are in inches (mm shown for ref. only).



Tolerances (unless otherwise specified):
 .XX ± 0.02 (0.5)
 .XXX ± 0.010 (0.25)
 Angles ± 2°

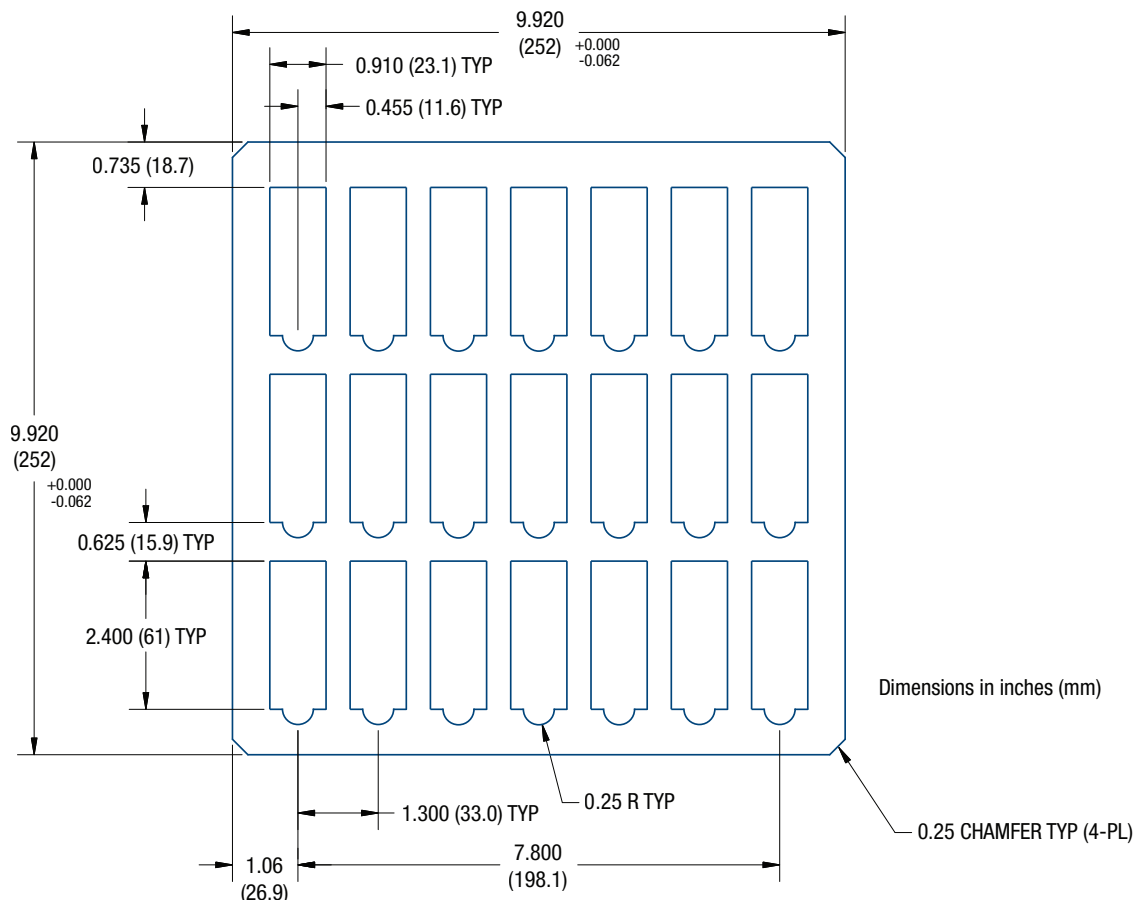
Components are shown for reference only and may vary between units.

SHIPPING TRAYS AND BOXES



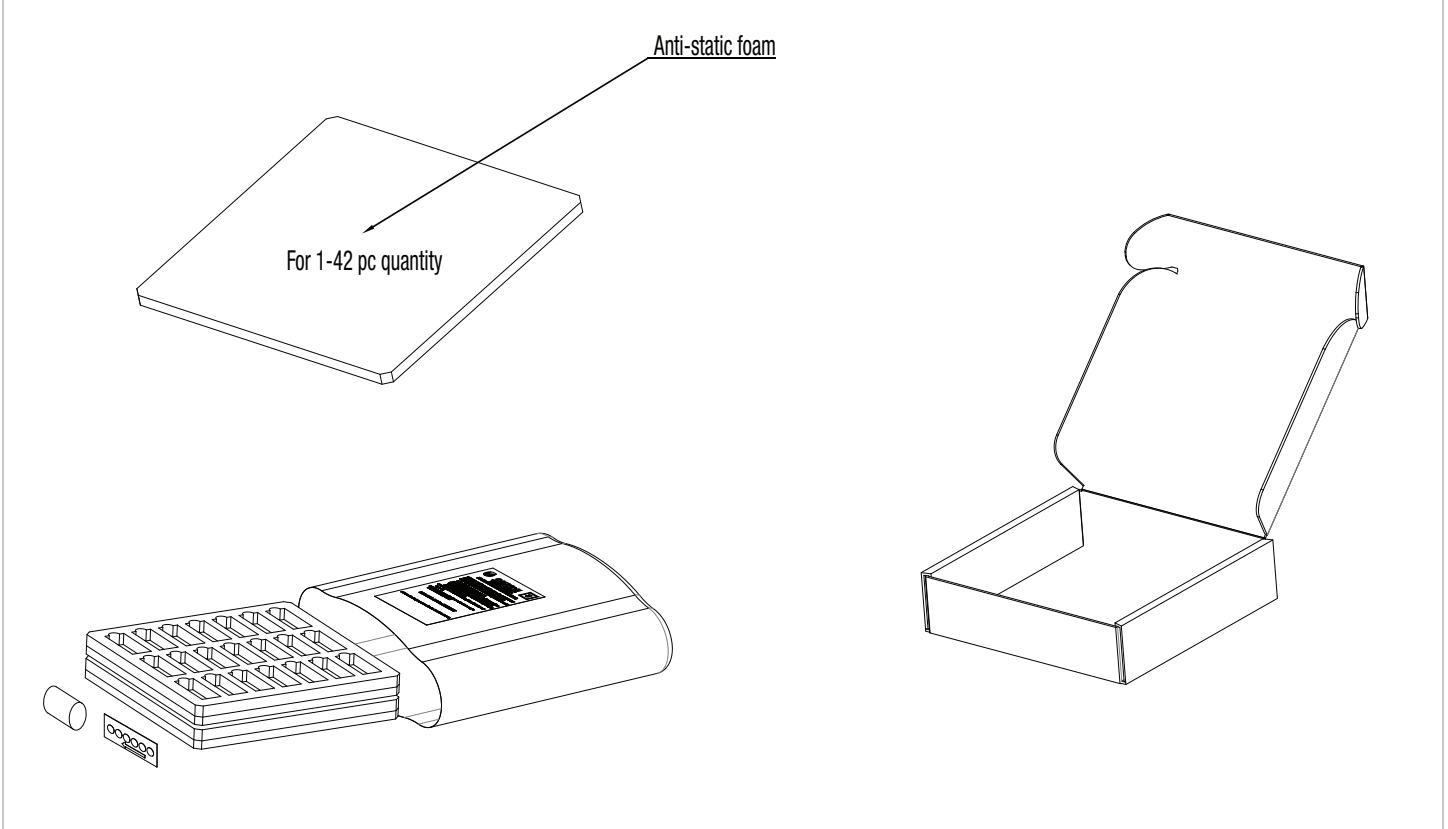
SHIPPING TRAY

DBE/DVE modules are supplied in a 21-piece (3-by-7) shipping tray. The tray is an anti-static closed-cell polyethylene foam. Dimensions are shown below.



Dimensions in inches (mm)

PIH SHIPPING TRAYS AND BOXES



TECHNICAL NOTES**Power Management Overview**

The module includes a wide range of readable and configurable power management features that are easy to implement with a minimum of external components. Furthermore, the module includes protection features that continuously protect the load from damage due to unexpected system faults. The SMBALERT pin alerts the host if there is a fault in the module. The following product parameters can continuously be monitored by a host: Vout, Iout, Vin, Temperature, and Power Good. The module is distributed with a default configuration suitable for a wide range operation in terms of Vin, Vout, and load. All power management functions can be reconfigured using the PMBus interface. The product provides a PMBus digital interface that enables the user to configure many aspects of the device operation as well as monitor the input and output parameters. Please contact Murata-PS for design support of special configurations.

Soft-start Power Up

The default rise time of the ramp up is 20 ms. When starting by applying input voltage the control circuit boot-up time adds an additional 10 ms delay. The soft-start power up of the module can be reconfigured using the PMBus interface.

Over Voltage Protection (OVP)

The module includes over voltage limiting circuitry for protection of the load. The default OVP limit is 20% above the nominal output voltage. If the output voltage surpasses the OVP limit, the module can respond in different ways. The default response from an over voltage fault is to immediately shut down. The device will continuously check for the presence of the fault condition, and when the fault condition no longer exists the device will be re-enabled. The OVP fault level and fault response can be reconfigured using the PMBus interface.

Over Current Protection (OCP, Current limit)

The module includes current limiting circuitry for protection at continuous over load. The default setting for the product is hicup mode. The current limit could be configured by simply setting the IOUT_OC_FAULT_LIMIT to be greater than the IOUT_OC_WARN_LIMIT. The maximum value that the current limit could be set is 50A.

Power Good

The module provides Power Good (PG) flag in the Status Word register that indicates the output voltage is within a specified tolerance of its target level and no fault condition exists. The Power Good pin default logic is negative and it can be configured by MFR_PGOOD_POLARITY.

Switching Frequency Adjust Using PMBus

By default the switching frequency is set to 175-250 KHz variable frequency control. The product is optimized at this frequency but it can be changed to 175 KHz fixed frequency control. The thermal performance can be affected if the switching frequency is changed when Vin is above 50 Vdc. The following graph shows Frequency vs. Vin.

PMBus Interface

This module offers a PMBus digital interface that enables the user to configure many characteristics of the device operation as well as to monitor the input and output voltages, output current and device temperature. The module can be used with any standard two-wire I2C or SMBus host device. In addition, the module is compatible with PMBus version 1.2 and includes an SMBALERT line to help alleviate bandwidth limitations related to continuous fault monitoring. The module supports 100 kHz and 400 kHz bus clock frequency only.

Monitoring via PMBus

A system controller (host device) can monitor a wide variety of parameters through the PMBus interface. The controller can monitor fault conditions by monitoring the SMBALERT pin, which will be asserted when any number of pre-configured fault or warning conditions occur. The system controller can also continuously monitor any number of power conversion parameters including but not limited to the following:

- Input voltage
- Output voltage
- Output current
- Module temperature

Software Tools for Design and Production

For these modules Murata-PS provides software for configuring and monitoring via the PMBus interface. For more information please contact your local Murata-PS representative.

PMBus™ General Notes

- Unit restores the entire contents of the non-volatile User Store memory when power up
- PEC is supported
- Max bus speed: 400kHz
- SMBALERT# is supported
- Linear data format used

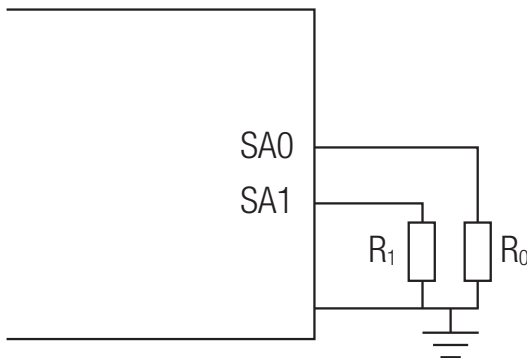
PMBus Addressing

Figure 1 and the accompanying table display the recommended resistor values for hard-wiring PMBus addresses (1% tolerance resistors recommended): The address is set in the form of two octal (0 to 7) digits, with each pin setting one digit. The SA1 pin sets the high order digit and SA0 sets the low order digit. The resistor values for each digit is shown below.

The SA0 and SA1 pins can be configured with a resistor to GND according to the following equation.

$$\text{PMBus Address} = 8 \times (\text{SA0value}) + (\text{SA1 value})$$

If the calculated PMBus address is 0d, 11d or 12d, SA0 or SA1 lefts open, default PMBus address 119d is assigned instead.. From a system point of view, the user shall also be aware of further limitations of the addresses as stated in the PMBus Specification. It is not recommended to keep the SA0 and SA1 pins left open. The products are designed to be PMBus compliant. The following tables list the implemented PMBus read commands. For more detailed information see “PMBus Power System Protocol Specification, Part I – General Requirements, Transport and Electrical Interface” and “PMBus Power System Management Protocol, Part II – Command Language.”



| Digit (SA0, SA1 index) | Resistor Value [kΩ] |
|------------------------|---------------------|
| 0 | 10 |
| 1 | 22 |
| 2 | 33 |
| 3 | 47 |
| 4 | 68 |
| 5 | 100 |
| 6 | 150 |
| 7 | 220 |

Figure 1. Schematic of Connection of Address Resistors

COMMAND LIST:

| CMD | Command Name | SMBus Transaction Type: Writing Data | SMBus Transaction Type: Reading Data | Number Of Data Bytes | Default Value | Lower limit | Upper limit | Unit |
|-----|----------------------------------|--------------------------------------|--------------------------------------|----------------------|---------------|-------------|-------------|------|
| 01h | OPERATION ² | Write Byte | Read Byte | 1 | 0x80 | | | |
| 02h | ON_OFF_CONFIG ³ | Write Byte | Read Byte | 1 | 0x19 | | | |
| 03h | CLEAR_FAULTS | Send byte | N/A | 0 | N/A | | | |
| 10h | WRITE_PROTECT | Write Byte | Read Byte | 1 | 0x00 | | | |
| 11h | STORE_DEFAULT_ALL ⁴ | Send byte | N/A | 0 | N/A | | | |
| 12h | RESTORE_DEFAULT_ALL ⁴ | Send byte | N/A | 0 | N/A | | | |
| 15h | STORE_USER_ALL ⁴ | Send byte | N/A | 0 | N/A | | | |
| 16h | RESTORE_USER_ALL ⁴ | Send byte | N/A | 0 | N/A | | | |
| 19h | CAPABILITY | N/A | Read Byte | 1 | 0xB0 | | | |
| 20h | VOUT_MODE | N/A | Read Byte | 1 | 0x17 | | | |
| 21h | VOUT_COMMAND | Write Word | Read Word | 2 | | 8.100 | 13.200 | V |
| 22h | VOUT_TRIM | Write Word | Read Word | 2 | 0 | | | V |
| 25h | VOUT_MARGIN_HIGH | Write Word | Read Word | 2 | | 8.100 | 13.199 | V |

| CMD | Command Name | SMBus Transaction Type: Writing Data | SMBus Transaction Type: Reading Data | Num- ber Of Data Bytes | Default Value | Lower limit | Upper limit | Unit |
|-----|-------------------------------------|---|---|---------------------------------|--------------------|----------------|----------------|------|
| 26h | VOUT_MARGIN_LOW | Write Word | Read Word | 2 | 8.100 | 8.100 | 13.200 | V |
| 28h | VOUT_DROOP | Write Word ¹⁰ | Read Word | 2 | 0/10 ¹² | 0 | 100 | mΩ |
| 40h | VOUT_OV_FAULT_LIMIT | Write Word | Read Word | 2 | | 8.100 | 15.600 | V |
| 41h | VOUT_OV_FAULT_RESPONSE ⁵ | Write Byte | Read Byte | 1 | 0xB8 | | | |
| 42h | VOUT_OV_WARN_LIMIT | Write Word | Read Word | 2 | | 8.100 | 15.600 | V |
| 46h | IOUT_OC_FAULT_LIMIT | Write Word | Read Word | 2 | 29.00 | 0.00 | 29.00 | A |
| 47h | IOUT_OC_FAULT_RESPONSE ⁶ | Write Byte | Read Byte | 1 | 0xF8 | | | |
| 4Ah | IOUT_OC_WARN_LIMIT | Write Word | Read Word | 2 | 27.00 | 0.00 | 29.00 | A |
| 4Fh | OT_FAULT_LIMIT | Write Word | Read Word | 2 | | 30 | 130 | °C |
| 50h | OT_FAULT_RESPONSE ⁵ | Write Byte | Read Byte | 1 | 0xB8 | | | |
| 51h | OT_WARN_LIMIT | Write Word | Read Word | 2 | 110 | 30 | 130 | °C |
| 55h | VIN_OV_FAULT_LIMIT | Write Word | Read Word | 2 | | 32.00 | 110.00 | V |
| 56h | VIN_OV_FAULT_RESPONSE ⁷ | Write Byte | Read Byte | 1 | 0xF8 | | | |
| 57h | VIN_OV_WARN_LIMIT | Write Word | Read Word | 2 | | 32.00 | 110.00 | V |
| 58h | VIN_UV_WARN_LIMIT | Write Word | Read Word | 2 | 33.00 | 32.00 | 75.00 | V |
| 59h | VIN_UV_FAULT_LIMIT | Write Word | Read Word | 2 | 32.00 | 32.00 | 75.00 | V |
| 5Ah | VIN_UV_FAULT_RESPONSE ⁷ | Write Byte | Read Byte | 1 | 0xF8 | | | |
| 5Eh | POWER_GOOD_ON | Write Word | Read Word | 2 | | 1.000 | 13.199 | V |
| 5Fh | POWER_GOOD_OFF | Write Word | Read Word | 2 | 9.600 | 1.000 | 13.199 | V |
| 60h | TON_DELAY | Write Word ^{10,11} | Read Word | 2 | 1 | 1 | 500 | ms |
| 61h | TON_RISE | Write Word ^{10,11} | Read Word | 2 | 20 | 20 | 100 | ms |
| 64h | TOFF_DELAY | Write Word ^{10,11} | Read Word | 2 | 0 | 0 | 500 | ms |
| 65h | TOFF_FALL | Write Word ^{10,11} | Read Word | 2 | 20 | 20 | 100 | ms |
| 78h | STATUS_BYTE | N/A | Read Byte | 1 | N/A | | | |
| 79h | STATUS_WORD | N/A | Read Word | 2 | N/A | | | |
| 7Ah | STATUS_VOUT | Write Byte | Read Byte | 1 | N/A | | | |
| 7Bh | STATUS_IOUT | Write Byte | Read Byte | 1 | N/A | | | |
| 7Ch | STATUS_INPUT | Write Byte | Read Byte | 1 | N/A | | | |
| 7Dh | STATUS_TEMPERATURE | Write Byte | Read Byte | 1 | N/A | | | |
| 7Eh | STATUS_CML | Write Byte | Read Byte | 1 | N/A | | | |
| 88h | READ_VIN | N/A | Read Word | 2 | N/A | | | V |
| 8Bh | READ_VOUT | N/A | Read Word | 2 | N/A | | | V |
| 8Ch | READ_IOUT | N/A | Read Word | 2 | N/A | | | A |
| 8Dh | READ_TEMPERATURE_1 | N/A | Read Word | 2 | N/A | | | °C |
| 94h | READ_DUTY_CYCLE | N/A | Read Word | 2 | N/A | | | % |
| 95h | READ_FREQUENCY | N/A | Read Word | 2 | N/A | | | KHZ |
| 96h | READ_POUT | N/A | Read Word | 2 | N/A | | | W |
| 98h | PMBUS_REVISION | N/A | Read Byte | 1 | 0x42 | | | |
| 99h | MFR_ID | N/A | Block Read | 22 | | | | |
| 9Ah | MFR_MODEL ⁹ | Block Write* | Block Read | | N/A | | | |
| 9Bh | MFR_REVISION ⁸ | Block Write* | Block Read | | N/A | | | |

COMMAND LIST

| CMD | Command Name | SMBus Transaction Type: Writing Data | SMBus Transaction Type: Reading Data | Num- ber Of Data Bytes | Default Value | Lower limit | Upper limit | Unit |
|-----|-------------------------------------|---|---|---------------------------------|------------------|----------------|----------------|------|
| 9Dh | MFR_DATE ⁸ | Block Write* | Block Read | | N/A | | | |
| 9Eh | MFR_SERIAL ⁸ | Block Write* | Block Read | | N/A | | | |
| A0h | MFR_VIN_MIN | N/A | Read Word | 2 | 36.00 | | | V |
| A1h | MFR_VIN_MAX | N/A | Read Word | 2 | 75.00 | | | V |
| A2h | MFR_IIN_MAX | N/A | Read Word | 2 | 15 | | | A |
| A3h | MFR_PIN_MAX | N/A | Read Word | 2 | 324 | | | W |
| A4h | MFR_VOUT_MIN | N/A | Read Word | 2 | 8.100 | | | V |
| A5h | MFR_VOUT_MAX | N/A | Read Word | 2 | | | | V |
| A6h | MFR_IOUT_MAX | N/A | Read Word | 2 | 25.00 | | | A |
| A7h | MFR_POUT_MAX | N/A | Read Word | 2 | 300 | | | W |
| A8h | MFR_TAMBIENT_MAX | N/A | Read Word | 2 | 85 | | | °C |
| A9h | MFR_TAMBIENT_MIN | N/A | Read Word | 2 | -40 | | | °C |
| B0h | USER_DATA_00 | Block Write | Block Read | | "---" | | | |
| B1h | USER_DATA_01 | Block Write | Block Read | | "---" | | | |
| C0h | MFR_MAX_TEMP_1 | N/A | Read Word | 2 | 130 | | | °C |
| DBh | MFR_CURRENT_SHARE_CONFIG | Write Byte* | Read Byte | 1 | | | | |
| DDh | MFR_PRIMARY_ON_OFF_CONFIG | Write Byte | Read Byte | 1 | | | | |
| DEh | MFR_PGOOD_POLARITY | Write Byte | Read Byte | 1 | 0x00 | | | |
| E8h | MFR_VIN_OV_FAULT_HYS | Write Word | Read Word | 2 | 2.00 | 1.00 | 20.00 | V |
| E9h | MFR_VIN_UV_FAULT_HYS | Write Word | Read Word | 2 | 2.00 | 1.00 | 20.00 | V |
| EAh | MFR_OT_FAULT_HYS | Write Word | Read Word | 2 | 20 | 5 | 50 | °C |
| F6h | MFR_CALIBRATION_STATUS | N/A | Read Byte* | 1 | 0xC7 | | | |
| F9h | MFR_VIN_SENSE_CALIBRATION | Write byte* | N/A | 1 | N/A | | | |
| FAh | MFR_IOUT_SENSE_CALIBRATION | Write Word* | N/A | 2 | N/A | | | |
| FBh | MFR_VOUT_SET_POINT_CALI- BRATION | Write Word* | N/A | 2 | N/A | | | |
| FCh | MFR_SUPERVISOR_PASSWORD | Block Write | N/A | N/A | N/A | | | |

²Not supported items:

100101XXb Margin Low(Ignore Fault),
101001XXb On Margin High(Ignore Fault)

³Restart delay of turned off by OPEATION or CONTROL or primary on/off is 200ms

⁴Unit will shutdown 1s for protection , then recover automatically

⁵Restart delay: 500ms

Turn off delay unit: 500ms, lower limit: 0ms

⁶Restart delay: 500ms

Bits 7:6: 00b,01b,10b are not supported

⁷Only Support bits 7:6

⁸Unit's actual inforamtion

⁹Default value of DROOP CURRENT SHARE ENABLED mode: 0x01

Default value of DROOP CURRENT SHARE DISABLED mode: 0x00

¹⁰Available in supervisor mode when droop current share on, available in both mode when droop current share off

¹¹Only support the data when n = 0 by Linear Data Format

¹²Locked to 10mΩ in DROOP CURRENT SHARE mode; VOUT_DROOP is not used in CURRENT SHARE DISABLED mode

¹³Default value of negative logic: 0x04

Default value of positive logic: 0x06

¹⁴VOUT_TRIM + VOUT COMMAND is limited to 8.1~13.2V, if calculated Vout exceeds limit, then show invalid data.

¹⁵Default value of without "B" suffix: 120C

Default value of with "B" suffix: 125C

MURATA-PS DEFINED COMMANDS (01-CFH REFER TO PMBUS 1.2 SPEC)

| D0h: MFR_VARIABLE_FREQUENCY_DISABLE | | | | | | | | | |
|--|---|---------|--|--------------|------------------|------------------|------------------|------------------|------------------|
| Bits | Purpose | Value | Meaning | | | | | | |
| 7:1 | | 0000000 | Reserved | | | | | | |
| 0 | Variable frequency control | 0 | Turn on variable frequency control | | | | | | |
| | | 1 | Turn off variable frequency control | | | | | | |
| DBh: MFR_CURRENT_SHARE_CONFIG | | | | | | | | | |
| Bits | Purpose | Value | Meaning | On/Off 2 pin | VOUT_DROOP | TON_DELAY | TOFF_DELAY | TON_RISE | TOFF_FALL |
| 7:1 | | 0000000 | Reserved | -- | -- | -- | -- | -- | -- |
| 0 | Variable frequency control | 0 | Current share disabled | On/Off 2 | configurable | configurable | configurable | configurable | configurable |
| | | 1 | Droop current share mode enabled | On/Off 2 | locked to 0x000A | locked to 0x0001 | locked to 0x0000 | locked to 0x0000 | locked to 0x0000 |
| DDh: MFR_PRIMARY_ON_OFF_CONFIG | | | | | | | | | |
| Bits | Purpose | Value | Meaning | | | | | | |
| 7:3 | | 00000 | Reserved | | | | | | |
| 2 | Controls how the unit responds to the CONTROL pin | 0 | Unit ignores the primary ON/OFF pin | | | | | | |
| | | 1 | Unit requires the primary ON/OFF pin to be asserted to start the unit. | | | | | | |
| 1 | Polarity of primary ON/OFF logic | 0 | Active low (Pull pin low to start the unit) | | | | | | |
| | | 1 | Active high (Pull high or open to start the unit) | | | | | | |
| 0 | | 0 | Reserved | | | | | | |
| DEh: MFR_PGOOD_POLARITY | | | | | | | | | |
| Bits | Purpose | Value | Meaning | | | | | | |
| 7:1 | | 0000000 | Reserved | | | | | | |
| 0 | Power good polarity of pin 12 | 0 | Negative logic, output low if Vout rises to specific value | | | | | | |
| | | 1 | Positive logic, output high if Vout rises to specific value | | | | | | |

STATUS WORD AND BYTE

GREEN = supported

| STATUS_VOUT |
|-----------------------|
| 7 VOUT_OV_FAULT |
| 6 VOUT_OV_WARNING |
| 5 VOUT_UV_WARNING |
| 4 VOUT_UV_FAULT |
| 3 VOUT_MAX Warning |
| 2 TON_MAX_FAULT |
| 1 TOFF_MAX_WARNING |
| 0 VOUT Tracking Error |

| STATUS_IOUT |
|--------------------------|
| 7 IOUT_OC_FAULT |
| 6 IOUT_OC_LV_FAULT |
| 5 IOUT_OC_WARNING |
| 4 IOUT_UC_FAULT |
| 3 Current Share Fault |
| 2 In Power Limiting Mode |
| 1 POUT_OP_FAULT |
| 0 POUT_OP_WARNING |

| STATUS_TEMPERATURE |
|--------------------|
| 7 OT_FAULT |
| 6 OT_WARNING |
| 5 UT_WARNING |
| 4 UT_FAULT |
| 3 Reserved |
| 2 Reserved |
| 1 Reserved |
| 0 Reserved |

| STATUS_CML |
|-------------------------------|
| 7 Invalid/Unsupported Command |
| 6 Invalid/Unsupported Data |
| 5 Packet Error Check Failed |
| 4 Memory Fault Detected |
| 3 Processor Fault Detected |
| 2 Reserved |
| 1 Other Communication Fault |
| 0 Other Memory Or Logic Fault |

| STATUS_WORD |
|---------------------|
| 7 VOUT |
| 6 IOUT/POUT |
| 5 INPUT |
| 4 MFR_SPECIFIC |
| 3 POWER_GOOD# |
| 2 FANS |
| 1 OTHER |
| 0 UNKNOWN |
| 7 BUSY |
| 6 OFF |
| 5 VOUT_OV_FAULT |
| 4 IOUT_OC_FAULT |
| 3 VIN_UV_FAULT |
| 2 TEMPERATURE |
| 1 CML |
| 0 NONE OF THE ABOVE |

| STATUS_OTHER |
|-------------------------------|
| 7 Reserved |
| 6 Reserved |
| 5 Input A Fuse/Breaker Fault |
| 4 Input B Fuse/Breaker Fault |
| 3 Input A OR-ing Device Fault |
| 2 Input B OR-ing Device Fault |
| 1 Output OR-ing Device Fault |
| 0 Reserved |

| STATUS_INPUT |
|----------------------------------|
| 7 VIN_OV_FAULT |
| 6 VIN_OV_WARNING |
| 5 VIN_UV_WARNING |
| 4 VIN_UV_FAULT |
| 3 Unit Off For Low Input Voltage |
| 2 IIN_OC_FAULT |
| 1 IIN_OC_WARNING |
| 0 PIN_OP_WARNING |

| STATUS_MFR_SPECIFIC |
|----------------------|
| Manufacturer Defined |
| Manufacturer Defined |
| Manufacturer Defined |
| Manufacturer Defined |
| Manufacturer Defined |
| Manufacturer Defined |
| Manufacturer Defined |
| Manufacturer Defined |

| STATUS_FANS_1_2 |
|------------------------|
| 7 Fan 1 Fault |
| 6 Fan 2 Fault |
| 5 Fan 1 Warning |
| 4 Fan 2 Warning |
| 3 Fan 1 Speed Override |
| 2 Fan 2 Speed Override |
| 1 Air Flow Fault |
| 0 Air Flow Warning |

| STATUS_FANS_3_4 |
|------------------------|
| 7 Fan 3 Fault |
| 6 Fan 4 Fault |
| 5 Fan 3 Warning |
| 4 Fan 4 Warning |
| 3 Fan 3 Speed Override |
| 2 Fan 4 Speed Override |
| 1 Reserved |
| 0 Reserved |

TECHNICAL NOTES (CONT.)

Parallel Load Sharing (S Option, Droop Load Sharing)

Two or more converters may be connected in parallel at both the input and output terminals to support higher output current (total power, see figure 2) or to improve reliability due to the reduced stress that results when the modules are operating below their rated limits. For applications requiring current share, followed the guidelines below. The products have a pre-configured voltage droop. The stated output voltage set point is at no load. The output voltage will decrease when the load current is increased. The voltage will drop droop 0.35V while load reaches max load. Our goal is to have each converter contribute nearly identical current into the output load under all input, environmental and load conditions.

Using Parallel Connections – Load Sharing (Power Boost)

Direct Connection Parallel Guidelines

- Use a common input power source. The input voltage must be between 36V and 75V.
- +Vout and –Vout of all parallel units should be connected with a balance output impedance; +Sense and –Sense should be connected together (see figure 2).
- Turn all units off before configuring the output voltage via PMBus commands; all units must have the same output voltage configuration.
- It is recommended to turn on one unit first and then turn other unit (s) on after the output for the first one has settled. Turn on the next unit (s) after the previous unit reaches its regulated output voltage for at least 10mS. Users can use a different control signal to turn each unit on.
- Users can use a common primary Remote On/Off logic control signal to turn on modules at the same time after the input voltage rises above 36V.
- Do not use PMBus to control unit On/Off when parallel operation is used.
- First power up the parallel system (all converters) with a load not exceeding the rated load of $60\% \times 35A \times \text{UNITS_QUANTITY}$ and allow converters to settle (typically 10-50mS) before applying full load (90% load is recommended). If the loads are downstream POL converters, power these up shortly after the converter has reached steady state output. Also be aware of the delay caused by charging up external bypass capacitors.
- When converters are connected in parallel, allow for a safety factor of at least 10%. Up to 90% of max output current can be used from each module.
- It is critical that the PCB layout incorporates identical connections from each module to the load; use the same trace rating and airflow/thermal environments. If you add input filter components, use identical components and layout.
- For Power-down, do not soft-off (GUI) while in parallel operation. Power down units by primary On/Off signal. Turn units off at the same time or one by one to avoid the OCP being triggered.

CAUTION: This converter is not internally fused. To avoid danger to persons or equipment and to retain safety certification, the user must connect an external fast-blow input fuse as listed in the specifications. Be sure that the PC board pad area and etch size are adequate to provide enough current so that the fuse will blow with an overload.

Using Parallel Connections – Redundancy (N+1)

The redundancy connections require external user supplied “OR”ing diodes or “OR”ing MOSFETs for reliability purposes. The diodes allow for an uninterruptable

power system operation in case of a catastrophic failure (shorted output) by one of the converters.

The diodes should be identical part numbers to enhance balance between the converters. The default factory nominal voltage should be sufficiently matched between converters. The OR’ing diode system is the responsibility of the user. Be aware of the power levels applied to the diodes and possible heat sink requirements.

Schottky power diodes with approximately 0.3V drops or “OR”ing MOSFETs may be suitable in the loop whereas 0.7 V silicon power diodes may not be advisable. In the event of an internal device fault or failure of the mains power modules on the primary side, the other devices automatically take over the entire supply of the loads. In the basic N+1 power system, the “N” equals the number of modules required to fully power the system and “+1” equals one back-up module that will take over for a failed module. If the system consists of two power modules, each providing 50% of the total load power under normal operation and one module fails, another one delivers full power to the load. This means you can use smaller and less expensive power converters as the redundant elements, while achieving the goal of increased availability.

Thermal Shutdown

Extended operation at excessive temperature will initiate overtemperature shutdown triggered by a temperature sensor outside the PWM controller. This operates similarly to overcurrent and short circuit mode. The inception point of the overtemperature condition depends on the average power delivered, the ambient temperature and the extent of forced cooling airflow. Thermal shutdown uses only the hiccup mode (autorestart) and PMBus configurable hysteresis.

Start Up Considerations

When power is first applied to the DC-DC converter, there is some risk of start up difficulties if you do not have both low AC and DC impedance and adequate regulation of the input source. Make sure that your source supply does not allow the instantaneous input voltage to go below the minimum voltage at all times.

Use a moderate size capacitor very close to the input terminals. You may need two or more parallel capacitors. A larger electrolytic or ceramic cap supplies the surge current and a smaller parallel low-ESR ceramic cap gives low AC impedance.

Remember that the input current is carried both by the wiring and the ground plane return. Make sure the ground plane uses adequate thickness copper. Run additional bus wire if necessary.

Input Fusing

Certain applications and/or safety agencies may require fuses at the inputs of power conversion components. Fuses should also be used when there is the possibility of sustained input voltage reversal which is not current-limited. For greatest safety, we recommend a fast blow fuse installed in the ungrounded input supply line.

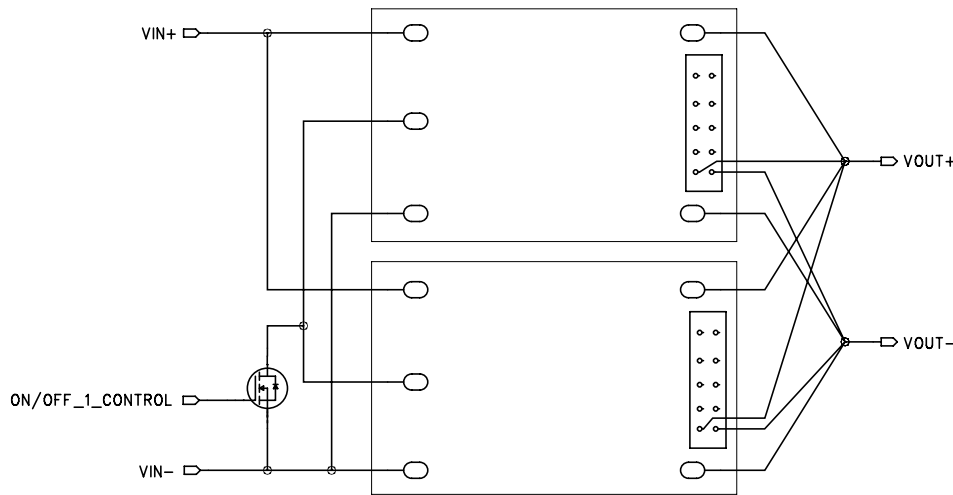


Figure 2. Load Sharing Block Diagram

Input Under-Voltage Shutdown and Start-Up Threshold

Under normal start-up conditions, converters will not begin to regulate properly until the rising input voltage exceeds and remains at the Start-Up Threshold Voltage (see Specifications). Once operating, converters will not turn off until the input voltage drops below the Under-Voltage Shutdown Limit. Subsequent restart will not occur until the input voltage rises again above the Start-Up Threshold. This built-in hysteresis prevents any unstable on/off operation at a single input voltage. The over/under-voltage fault level and fault response and hysteresis can be configured via the PMBus interface.

Start-Up Time

Assuming that the output current is set at the rated maximum, the Vin to Vout Start-Up Time (see Specifications) is the time interval between the point when the rising input voltage crosses the Start-Up Threshold and the fully loaded output voltage enters and remains within its specified accuracy band. Actual measured times will vary with input source impedance, external input capacitance, input voltage slew rate and final value of the input voltage as it appears at the converter.

These converters include a soft start circuit to moderate the duty cycle of its PWM controller at power up, thereby limiting the input inrush current.

The On/Off Remote Control interval from On command to Vout (final $\pm 5\%$) assumes that the converter already has its input voltage stabilized above the Start-Up Threshold before the On command. The interval is measured from the On command until the output enters and remains within its specified accuracy band. The specification assumes that the output is fully loaded at maximum rated current. Similar conditions apply to the On to Vout regulated specification such as external load capacitance and soft start circuitry.

Recommended Input Filtering

The user must assure that the input source has low AC impedance to provide dynamic stability and that the input supply has little or no inductive content, including long distributed wiring to a remote power supply. The converter will operate with no additional external capacitance if these conditions are met.

For best performance, we recommend installing a low-ESR capacitor immediately adjacent to the converter's input terminals. The capacitor should be a ceramic type such as the Murata GRM32 series or a polymer type. Make sure that the input terminals do not go below the undervoltage shutdown voltage at all times. More input bulk capacitance may be added in parallel (either electrolytic or tantalum) if needed.

Recommended Output Filtering

The converter will achieve its rated output ripple and noise with no additional external capacitor. However, the user may install more external output capacitance to reduce the ripple even further or for improved dynamic response. Again, use low-ESR ceramic (Murata GRM32 series) or polymer capacitors. Mount these close to the converter. Measure the output ripple under your load conditions.

Use only as much capacitance as required to achieve your ripple and noise objectives. Excessive capacitance can make step load recovery sluggish or possibly introduce instability. Do not exceed the maximum rated output capacitance listed in the specifications.

Input Ripple Current and Output Noise

All models in this converter series are tested and specified for input reflected ripple current and output noise using designated external input/output components, circuits and layout as shown in the figures below. The Cbus and Lbus components simulate a typical DC voltage bus.

Minimum Output Loading Requirements

All models regulate within specification and are stable under no load to full load conditions.

Thermal Shutdown (OTP, UTP)

To prevent many over temperature problems and damage, these converters include thermal shutdown circuitry. If environmental conditions cause the temperature of

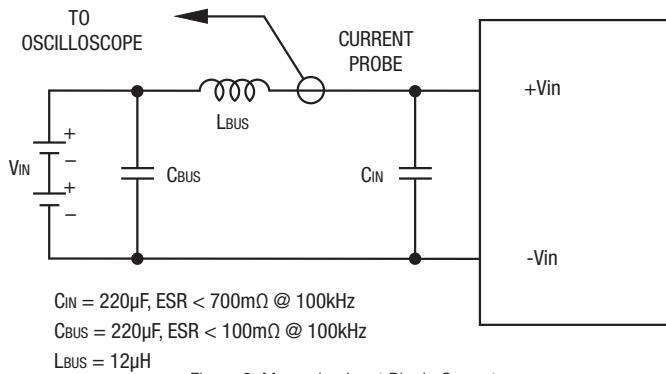
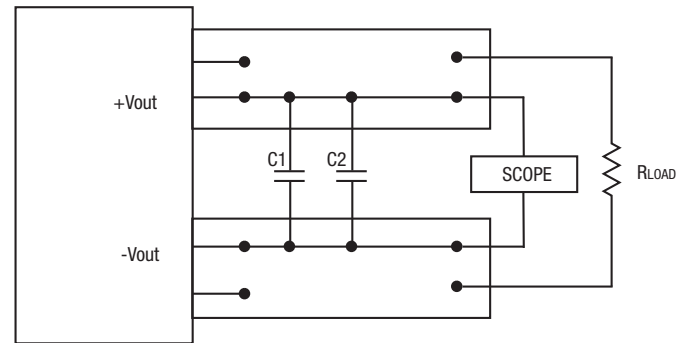


Figure 3. Measuring Input Ripple Current



$C1 = 1\mu\text{F}$; $C2 = 10\mu\text{F}$
 LOAD 2-3 INCHES (51-76mm) FROM MODULE
 Figure 4. Measuring Output Ripple and Noise (PARD)

the DC-DCs to rise above the Operating Temperature Range up to the shutdown temperature, an on-board electronic temperature sensor will power down the unit. When the temperature decreases below the turn-on threshold set in the command recover temp is (OT_FAULT_LIMIT-MFR_OT_FAULT_HYS), the hysteresis is defined in general electrical specification section. The OTP and hysteresis of the module can be reconfigured using the PMBus. The OTP and UTP fault limit and fault response can be configured via the PMBus.

CAUTION: If you operate too close to the thermal limits, the converter may shut down suddenly without warning. Be sure to thoroughly test your application to avoid unplanned thermal shutdown.

Temperature Derating Curves

The graphs in this data sheet illustrate typical operation under a variety of conditions. The Derating curves show the maximum continuous ambient air temperature and decreasing maximum output current which is acceptable under increasing forced airflow measured in Linear Feet per Minute (“LFM”). Note that these are AVERAGE measurements. The converter will accept brief increases in current or reduced airflow as long as the average is not exceeded.

Note that the temperatures are of the ambient airflow, not the converter itself which is obviously running at higher temperature than the outside air. Also note that “natural convection” is defined as very low rates which are not using fan-forced airflow. Depending on the application, “natural convection” is usually about 30-65 LFM but is not equal to still air (0 LFM).

Murata Power Solutions makes Characterization measurements in a closed cycle wind tunnel with calibrated airflow. We use both thermocouples and an infrared camera system to observe thermal performance. As a practical matter, it is quite difficult to insert an anemometer to precisely measure airflow in most applications. Sometimes it is possible to estimate the effective airflow if you thoroughly understand the enclosure geometry, entry/exit orifice areas and the fan flowrate specifications.

CAUTION: If you exceed these Derating guidelines, the converter may have an unplanned Over Temperature shut down. Also, these graphs are all collected near Sea Level altitude. Be sure to reduce the derating for higher altitude.

Output Short Circuit Condition

The short circuit condition is an extension of the “Current Limiting” condition. When the monitored peak current signal reaches a certain range, the PWM controller’s outputs are shut off thereby turning the converter “off.” This is followed by an

extended time out period. This period can vary depending on other conditions such as the input voltage level. Following this time out period, the PWM controller will attempt to re-start the converter by initiating a “normal start cycle” which includes softstart. If the “fault condition” persists, another “hiccup” cycle is initiated. This “cycle” can and will continue indefinitely until such time as the “fault condition” is removed, at which time the converter will resume “normal operation.” Operating in the “hiccup” mode during a fault condition is advantageous in that average input and output power levels are held low preventing excessive internal increases in temperature.

Remote On/Off Control

The DBE series modules are equipped with both primary (On/Off 1, enabled, pull up internal) and secondary control pins. So far, the secondary control pin is always set as ON. The On/Off pins are TTL open-collector and/or CMOS open-drain compatible. (See general specifications for threshold voltage levels. See also MFR_PRIMARY_ON_OFF_CONFIG section.)

Negative-logic models are on (enabled) when the On/Off is grounded or brought to within a low voltage (see specifications) with respect to –Vin. The device is off (disabled) when the On/Off is left open or is pulled high to +13.5Vdc with respect to –Vin. The On/Off function allows the module to be turned on/off by an external device switch.

Positive-logic models are enabled when the On/Off pin is left open or is pulled high to +13.5V with respect to –Vin. Positive-logic devices are disabled when the On/Off is grounded or brought to within a low voltage (see specifications) with respect to –Vin.

The restart delay for this module to turn On/Off by the On/Off control pin is 100ms.

On/Off 1 can be configured by PMBus command MFR_PRIMARY_ON_OFF_CONFIG (DDh); default configuration is not ignored; required On/Off 1 control pin to be asserted to start the unit.

DBE’s On/Off status is dependent on On/Off 1 control, and OPERATION (PMBus command) status; both must be ON to turn DBE on; if one of them is OFF, unit will be turned off.

Output Capacitive Load

These converters do not require external capacitance added to achieve rated specifications. Users should only consider adding capacitance to reduce switching noise and/or to handle spike current load steps. Install only enough capacitance to achieve noise objectives. Excess external capacitance may cause degraded transient response and possible oscillation or instability.

Remote Sense Input

Use the Sense inputs with caution. Sense is normally connected **at the load**. Sense inputs compensate for output voltage inaccuracy delivered at the load. This is done by correcting IR voltage drops along the output wiring and the current carrying capacity of PC board etch. This output drop (the difference between Sense and Vout when measured at the converter) should not exceed 0.5V. Consider using heavier wire if this drop is excessive. Sense inputs also improve the stability of the converter and load system by optimizing the control loop phase margin.

Note: The Sense input and power Vout lines are internally connected through low value resistors to their respective polarities so that the converter can operate without external connection to the Sense. Nevertheless, if the Sense function is not used for remote regulation, the user should connect +Sense to +Vout and -Sense to -Vout at the converter pins.

The remote Sense lines carry very little current. They are also capacitively coupled to the output lines and therefore are in the feedback control loop to regulate and stabilize the output. As such, they are not low impedance inputs and must be treated with care in PC board layouts. Sense lines on the PCB should run adjacent

to DC signals, preferably Ground. In cables and discrete wiring, use twisted pair, shielded tubing or similar techniques.

Any long, distributed wiring and/or significant inductance introduced into the Sense control loop can adversely affect overall system stability. If in doubt, test your applications by observing the converter's output transient response during step loads. There should not be any appreciable ringing or oscillation. You may also adjust the output trim slightly to compensate for voltage loss in any external filter elements. Do not exceed maximum power ratings.

Please observe Sense inputs tolerance to avoid improper operation:

$$[V_{out(+)} - V_{out(-)}] - [Sense(+)-Sense(-)] \leq 10\% \text{ of } V_{out}$$

Output overvoltage protection is monitored at the output voltage pin, not the Sense pin. Therefore excessive voltage differences between Vout and Sense together with trim adjustment of the output can cause the overvoltage protection circuit to activate and shut down the output.

Power derating of the converter is based on the combination of maximum output current and the highest output voltage. Therefore the designer must ensure:

$$(V_{out \text{ at pins}}) \times (I_{out}) \leq (\text{Max. rated output power})$$

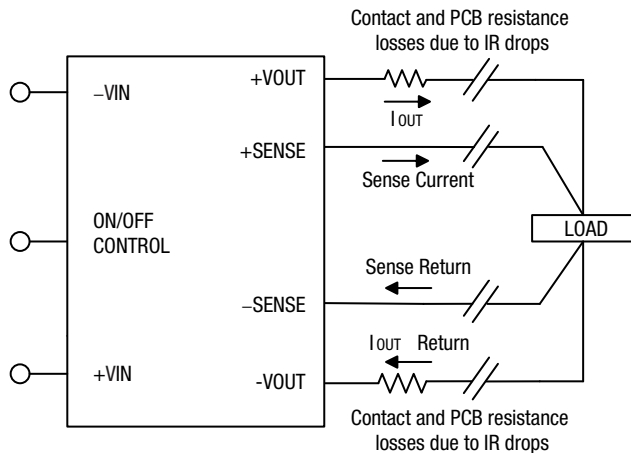


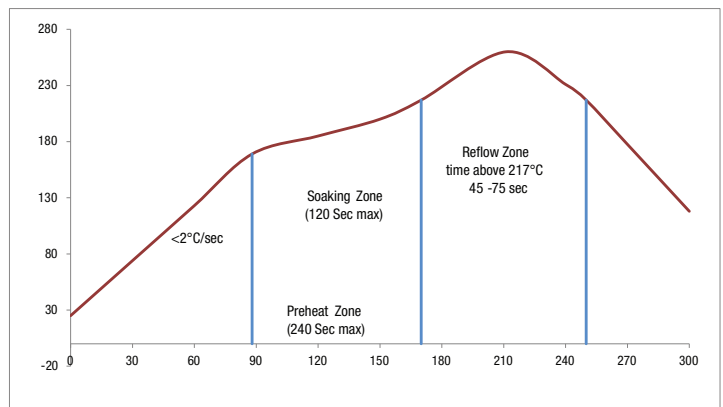
Figure 5. Remote Sense Circuit Configuration

Soldering Guidelines

Murata Power Solutions recommends the specifications below when installing these converters. These specifications vary depending on the solder type. Exceeding these specifications may cause damage to the product. Be cautious when there is high atmospheric humidity. We strongly recommend a mild pre-bake (100° C. for 30 minutes). Your production environment may differ; therefore please thoroughly review these guidelines with your process engineers.

| Wave Solder Operations for through-hole mounted products (THMT) | |
|---|-----------|
| For Sn/Ag/Cu based solders: | |
| Maximum Preheat Temperature | 115° C. |
| Maximum Pot Temperature | 270° C. |
| Maximum Solder Dwell Time | 7 seconds |
| For Sn/Pb based solders: | |
| Maximum Preheat Temperature | 105° C. |
| Maximum Pot Temperature | 250° C. |
| Maximum Solder Dwell Time | 6 seconds |

PIH Soldering Profile



Optimal Peak 245°C, Max Peak 260°C.
 Lead-Free Solder type: SAC305
 Duration Time above Liquidus: 45 to 75 seconds
 Ramp less than 1°C per second across liquidus
 Cooling rate less than 3°C per second

Emissions Performance

Murata Power Solutions measures its products for conducted emissions against the EN 55022 and CISPR 22 standards. Passive resistance loads are employed and the output is set to the maximum voltage. If you set up your own emissions testing, make sure the output load is rated at continuous power while doing the tests.

The recommended external input and output capacitors (if required) are included. Please refer to the fundamental switching frequency. All of this information is listed in the Product Specifications. An external discrete filter is installed and the circuit diagram is shown below.

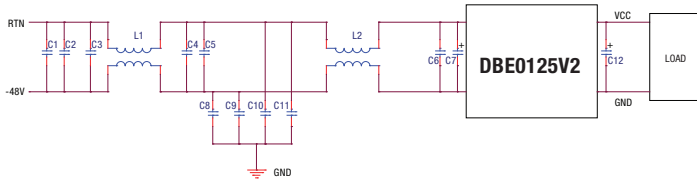


Figure 6. Conducted Emissions Test Circuit

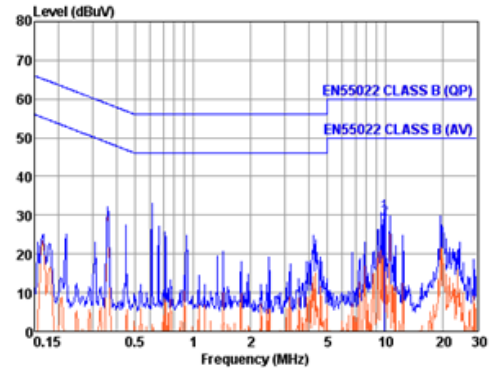
[1] Conducted Emissions Parts List

| Reference | Part Number | Description | Vendor |
|--------------------|--------------------|---------------------------------------|----------|
| C1, C2, C3, C4, C5 | GRM32ER72A105KA01L | SMD CERAMIC-100V-1000nF-X7R-1210 | Murata |
| C6 | GRM319R72A104KA01D | SMD CERAMIC 100V-100nF-±10%-X7R-1206 | Murata |
| L1, L2 | PG0060T | COMMON MODE-473uH-±25%-A | Pulse |
| C8, C9, C10, C11 | GRM55DR72J224KW01L | SMD CERAMIC 630V-0.22uF-±10%-X7R-2220 | Murata |
| C7 | UHE2A221MHD | Aluminum 100V-220uF-±10%-long lead | Nichicon |
| C12 | NA | | |

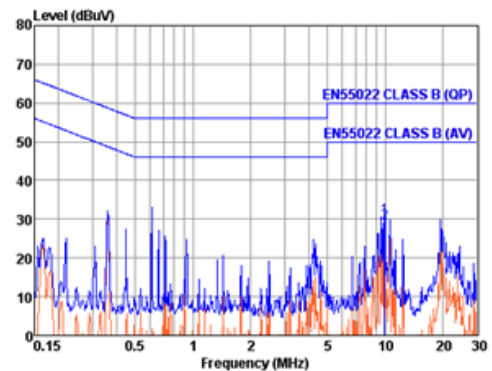
[2] Conducted Emissions Test Equipment Used

Hewlett Packard HP8594L Spectrum Analyzer – S/N 3827A00153
 2Line V-networks LS1-15V 50Ω/50uH Line Impedance Stabilization Network

[3] Conducted Emissions Test Results



Graph 1. Conducted emissions performance, Positive Line, CISPR 22, Class B, full load



Graph 2. Conducted emissions performance, Negative Line, CISPR 22, Class B, full load

[4] Layout Recommendations

Most applications can use the filtering which is already installed inside the converter or with the addition of the recommended external capacitors. For greater emissions suppression, consider additional filter components and/or shielding. Emissions performance will depend on the user's PC board layout, the chassis shielding environment and choice of external components. Please refer to Application Note GEAN-02 for further discussion.

Since many factors affect both the amplitude and spectra of emissions, we recommend using an engineer who is experienced at emissions suppression.

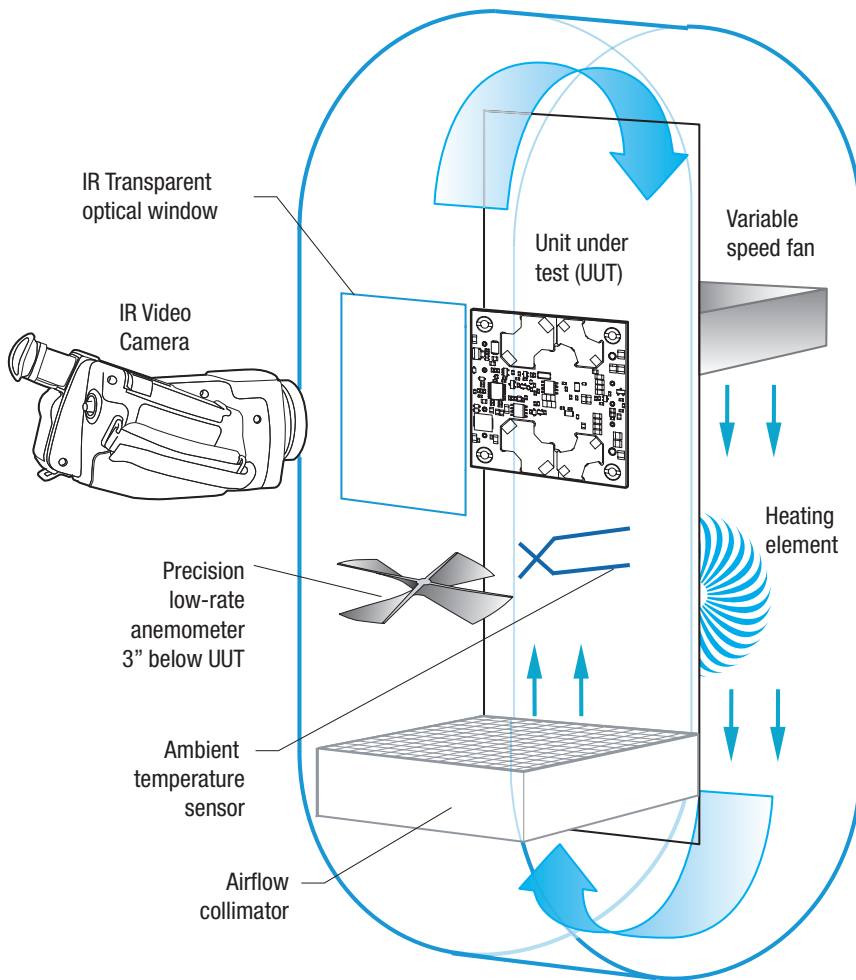


Figure 7. Vertical Wind Tunnel

Vertical Wind Tunnel

Murata Power Solutions employs a computer controlled custom-designed closed loop vertical wind tunnel, infrared video camera system, and test instrumentation for accurate airflow and heat dissipation analysis of power products. The system includes a precision low flow-rate anemometer, variable speed fan, power supply input and load controls, temperature gauges, and adjustable heating element.

The IR camera monitors the thermal performance of the Unit Under Test (UUT) under static steady-state conditions. A special optical port is used which is transparent to infrared wavelengths.

Both through-hole and surface mount converters are soldered down to a 10" x 10" host carrier board for realistic heat absorption and spreading. Both longitudinal and transverse airflow studies are possible by rotation of this carrier board since there are often significant differences in the heat dissipation in the two airflow directions. The combination of adjustable airflow, adjustable ambient heat, and adjustable Input/Output currents and voltages mean that a very wide range of measurement conditions can be studied.

The collimator reduces the amount of turbulence adjacent to the UUT by minimizing airflow turbulence. Such turbulence influences the effective heat transfer characteristics and gives false readings. Excess turbulence removes more heat from some surfaces and less heat from others, possibly causing uneven overheating.

Both sides of the UUT are studied since there are different thermal gradients on each side. The adjustable heating element and fan, built-in temperature gauges, and no-contact IR camera mean that power supplies are tested in real-world conditions.

