

PRODUCT OVERVIEW

The DMR35-DCxA are a series of five DC microammeters and milliammeters that provide precision measurements of DC current. The 3-1/2 digit numeric display supports precision measurement, and a fast-responding 21 segment bargraph tracks quickly-changing measured values.

The internal precision shunt resistors simplify the meter's use and allow for increased accuracy compared with solutions relying on external shunt resistors. Rear-accessible DIP switches are provided for the selection of measurement range and display brightness.

The meter is powered from an external 9-32VDC power supply and typically requires only 37 mA when operated at 12V. The measurement inputs provide +/-48V of common-mode input range, simplifying the meter's use in a wide range of applications. The rugged polycarbonate housing is mountable in a round hole using supplied screws, and is designed as a mechanical drop-in replacement for many commonly available analog movement meters.

These meters are ideal for use in laboratory instrumentation, factory automation, and other applications requiring precise DC current monitoring.

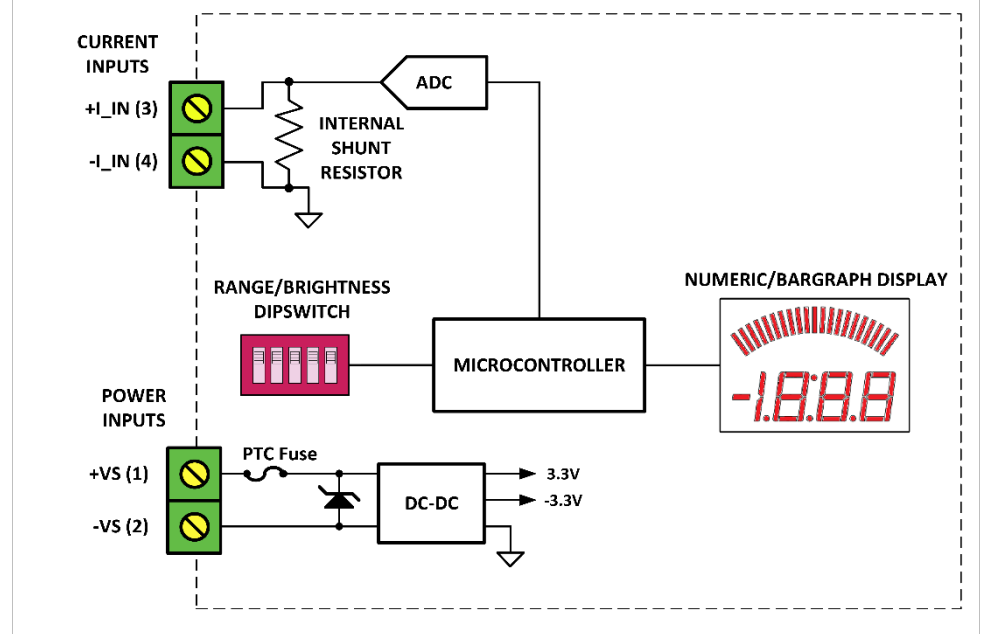
Features

- Bright, easily readable LED display
- Up to 3-1/2 digit measurements
- Bar-graph display scale
- 0.8% measurement accuracy
- Low burden voltage internal shunt resistors
- Selectable current measurement ranges
- Unipolar/ Bipolar measurement options
- User-adjustable display brightness
- Mechanical drop-in replacement for common analog-movement meters
- Operates from 9 to 32 VDC
- Low current consumption, 37 mA typical at 12VDC
- RoHS Compliant
- Two year warranty

ORDERING INFORMATION:

| MODEL NUMBER | DESCRIPTION |
|-------------------|--|
| DMR35-DCUA-DC1-R | DC Microammeter, 50-500uA ranges, 9-32VDC powered, red display |
| DMR35-DCMA1-DC1-R | DC Milliammeter, 1-10mA ranges, 9-32VDC powered, red display |
| DMR35-DCMA2-DC1-R | DC Milliammeter, 15-50mA ranges, 9-32VDC powered, red display |
| DMR35-DCMA3-DC1-R | DC Milliammeter, 100-250mA ranges, 9-32VDC powered, red display |
| DMR35-DCMA4-DC1-R | DC Milliammeter, 300-1000mA ranges, 9-32VDC powered, red display |

SIMPLIFIED BLOCK DIAGRAM



For full details go to
www.murata-ps.com/rohs

SPECIFICATIONS:

| Measurement Performance | Min | Typ. | Max | Units |
|---|---|-------------|--------------------------|--------------|
| Measurement Ranges | | | | |
| DMR35-DCMA1 | 0-1, 0-3, 0-5, 0-10, ± 1 , ± 3 , ± 5 , ± 10 | | | mA |
| DMR35-DCMA2 | 0-15, 0-20, 0-25, 0-50, ± 15 , ± 20 , ± 25 , ± 50 | | | mA |
| DMR35-DCMA3 | 0-100, 0-150, 0-200, 0-250, ± 100 , ± 150 , ± 200 , ± 250 | | | mA |
| DMR35-DCMA4 | 0-300, 0-500, 0-750, 0-1000, ± 300 , ± 500 , ± 750 , ± 1000 | | | mA |
| DMR35-DCUA | 0-50, 0-100, 0-200, 0-500, ± 50 , ± 100 , ± 200 , ± 500 | | | uA |
| Accuracy (25 °C) | | | 0.8% Reading + 2 counts. | |
| Temperature Stability | | 0.01 | | %F.S. /°C |
| Burden voltage at highest range, full-scale input current ⁽¹⁾ | | | | |
| DMR35-DCMA1 (10 mA) | | | 100 | mV |
| DMR35-DCMA2 (50 mA) | | | 50 | mV |
| DMR35-DCMA3 (250 mA) | | | 50 | mV |
| DMR35-DCMA4 (1000 mA) | | | 50 | mV |
| DMR35-DCUA (500 uA) | | | 100 | mV |
| Absolute Maximum Input Current (+I_IN to -I_IN, applied for 1 minute maximum) ⁽²⁾ | | | | |
| DMR35-DCMA1 | -200 | | 200 | mA |
| DMR35-DCMA2 | -700 | | 700 | mA |
| DMR35-DCMA3 | -1 | | 1 | A |
| DMR35-DCMA4 | -2 | | 2 | A |
| DMR35-DCUA | -25 | | 25 | mA |
| Absolute Maximum voltage differential (either +I_IN or -I_IN to -VS) ⁽²⁾ | -48 | | +48 | V |
| Notes: | | | | |
| 1) 'Burden Voltage' is the voltage drop across the meter when measuring a current. Burden voltage is specified for a given input current – In this case the maximum rated current at the highest measurement range. | | | | |
| 2) Exceeding Absolute Maximum ratings may result in permanent damage to the meter. | | | | |
| Power Supply Characteristics | | | | |
| | Min | Typ. | Max | Units |
| Operating Supply Voltage | 9 | | 32 | V |
| Absolute Maximum Supply Voltage | -1 | | 34 | V |
| Operating Supply Current | | | | |
| 12V supply | | 37 | | mA |
| 24V supply | | 25 | | mA |
| Display & User Interface | | | | |
| Display Type & Size | 3-1/2 digit 7-Segment, 11.4mm (0.45 in.) high 21 segment Curved Bargraph | | | |
| Display Color | Red (625nm) | | | |
| Decimal Point Selection | Automatic | | | |
| Out-of-range Indication | Flashing Display | | | |
| Measurement Range Selection | DIP switch selectable (8 ranges) | | | |
| Display Intensity Control | DIP switch selectable (4 ranges) | | | |
| Terminal Blocks | | | | |
| Wire Size | 14-24 AWG | | | |
| Insulation Strip Length | 6mm (0.24 in.) | | | |
| Screw Tightening Torque | 0.4 N-m (3.5 lb.-in) | | | |

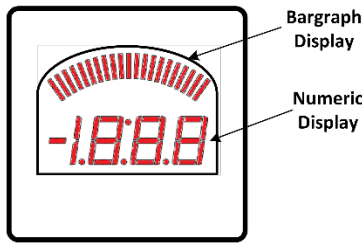
| Mechanical/Environmental | | | | |
|---|--------------------------------------|------|------------------|---------|
| Parameter | Min | Typ. | Max | Units |
| Operating Temperature | 0 | | 50 | °C |
| Storage Temperature | -40 | | 70 | °C |
| Humidity (non-condensing) | 0 | | 85 | %RH |
| Sealing (front face, when installed with included gasket) | Splash and dust resistant | | | |
| Mounting screws (included) | #4-20 0.5" thread forming | | | |
| Screw Tightening Torque | 9 in-lb (1 N-m) | | | |
| Panel thickness when used with included mounting screws | 0.062 in. (1.6mm) | | 0.25 in. (6.3mm) | |
| Dimensions | See Mechanical Specifications Figure | | | |
| Weight | 2.3 (65) | | | oz. (g) |

OPERATION:

Measurement Type and Capabilities

The DMR35 series of digital micro and milli-ammeters employ a precision ADC and a low-power microcontroller to measure DC current. These meters provide full-scale measurement ranges spanning 50 microamperes to 1000 milliamperes with extremely low burden voltages. These meters measurement systems supports a common-mode input voltage range of up to +/-48V with respect to the power supply return (-VS connection), simplifying high-side, low-side, and negative rail current measurements.

FRONT PANEL & FRONT PANEL LAYOUT AND FUNCTION



Bar-graph Display: The 21 segment bar-graph display responds quickly and smoothly like an analog meter movement to aid in reading rapidly changing measurements.

Numeric Display: The 3-1/2 digit display provides precise measurements for steady-state and slowly changing measurement values.

REAR PANEL LAYOUT AND SCREW TERMINAL CONNECTIONS

Four screw terminals are provided for power and measurement connections, as well as a 5-position DIP switch for meter configuration, as described below.

| Rear Layout | Terminal # | Name | Function |
|---|------------|-------|---|
| | 1 | +VS | Power supply input terminals (9-32 VDC) |
| | 2 | -VS | |
| | 3 | +I_IN | Current measurement input terminals |
| | 4 | -I_IN | |
| <p>DIP Switch: Five individual switches support display intensity settings (SW1-SW2) and measurement range selection (SW3-SW5)</p> <p>Note: It is important to tighten all screw-terminals to their torque specifications. Proper tightening will help ensure reliable operation. Applications subject to vibration should use stranded wire.</p> | | | |

POWER SUPPLY CONNECTIONS

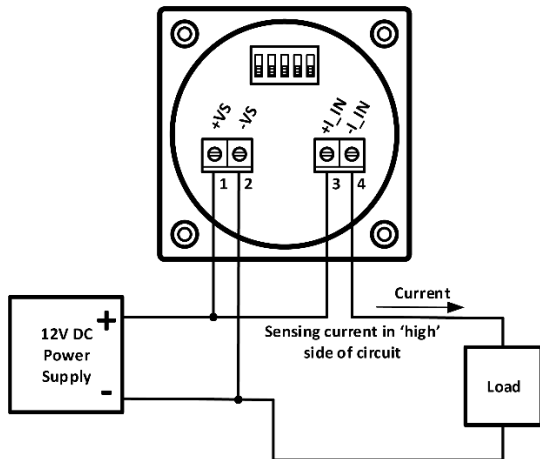
The meter is powered through the +VS and -VS terminals and requires a DC power supply which may range from 9VDC to 32VDC. This supply is electrically isolated from the meter's measurement electronics, so that the meter's measurement input terminals (+I_IN, -I_IN) do not need to be connected to the meter's power return terminal (-VS), and may vary as much as +/-48V from this connection. Please note that the meter's isolation barrier is intended only to simplify measurements, and not for safety purposes – the maximum voltage between the power supply terminals (+VS or -VS) and the measurement input terminals (+I_IN, -I_IN) must be limited to +/-48VDC. The DMR35 series of meters incorporates protection against momentary applications of both overvoltage and reverse polarity to the power supply(+VS, -VS) terminals. Depending on regulatory and application requirements it may also be necessary for the user to add external fusing.

MEASUREMENT INPUTS

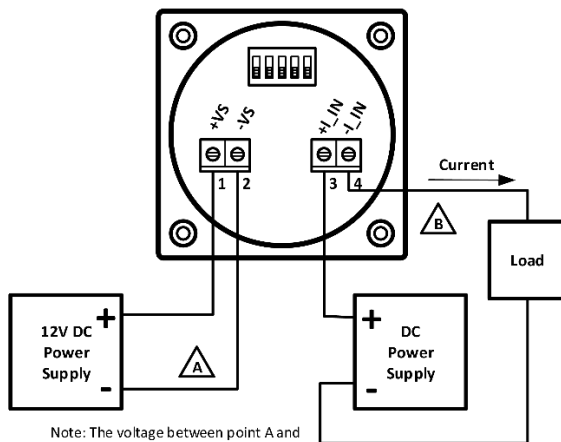
Current to be measured by the DMR35 is passed through the +I_IN and -I_IN terminals. This requires that the meter be inserted in the line in which the current is to be measured. Unlike many panel meters, the DMR35 series' measurement inputs are electrically isolated from the power supply terminals, which allows for fully differential measurements over a common-mode range of +/-48V with respect to the power supply terminals +VS or -VS.

CONNECTION EXAMPLES

The schematic below shows how a DMR35 DC current meter can be used to perform a 'high-side' current measurement, where the meter is inserted into the load's positive leg. In this example, the meter is powered from the same power source powering the load, and the meter's current sensing terminals (+I_IN, -I_IN) are at a potential of 12 volts higher than the meter's negative power terminal (-VS). The meter can also just as easily be used to measure current in the load's negative leg ('low-side' current sensing).



It is also possible to use the meter to monitor voltage in a circuit that is independent of the meter's power supply circuit, as shown in the schematic below. When used in this way, the meter's current measuring terminals may electrically float with respect to its power supply terminals, as long as the voltage difference between the two terminal pairs remains within +/- 48V of each other.



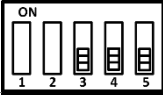
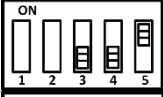
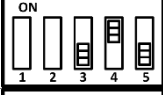
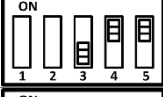
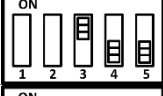
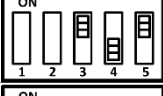

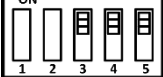
Note: The voltage between point A and point B must be within ±48V

METER CONFIGURATION

Meter Range Settings

DMR35 meter configuration is controlled through a 5-position DIP switch (SW1-SW5) on the rear of the meter. The individual switches are labelled 1 through 5 on the unit, and the ON position of the switches is also labelled. These switches are used to select both the meter's measurement range and the display intensity (brightness).

Switches SW3 through SW5 select the meter's measurement range, as shown in the table below. Note that for these five meter models, switch SW3 selects either unipolar (OFF) or bipolar (ON) measurement ranges. Switches SW4 and SW5 select the magnitude of the measurement range.

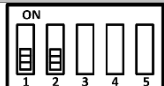
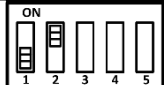
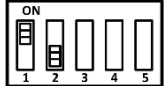
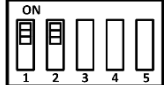
| Switch Setting | | | | DMR35 Model | | | | |
|----------------|-----|-----|---|-------------|-------------|--------------|---------------|-------------------|
| SW3 | SW4 | SW5 | DIP switch | -DCMA1 | -DCMA2 | -DCMA3 | -DCMA4 | -DCUA |
| OFF | OFF | OFF |  | 0-1 mA | 0-15 mA | 0-100 mA | 0-300 mA | 0-50 μ A |
| OFF | OFF | ON |  | 0-3 mA | 0-20 mA | 0-150 mA | 0-500 mA | 0-100 μ A |
| OFF | ON | OFF |  | 0-5 mA | 0-25 mA | 0-200 mA | 0-750 mA | 0-200 μ A |
| OFF | ON | ON |  | 0-10 mA | 0-50 mA | 0-250 mA | 0-1000 mA | 0-500 μ A |
| ON | OFF | OFF |  | \pm 1 mA | \pm 15 mA | \pm 100 mA | \pm 300 mA | \pm 50 μ A |
| ON | OFF | ON |  | \pm 3 mA | \pm 20 mA | \pm 150 mA | \pm 500 mA | \pm 100 μ A |
| ON | ON | OFF |  | \pm 5 mA | \pm 25 mA | \pm 200 mA | \pm 750 mA | \pm 200 μ A |
| ON | ON | ON |  | \pm 10 mA | \pm 50 mA | \pm 250 mA | \pm 1000 mA | \pm 500 μ A |

The meter behaves differently depending on whether bipolar or unipolar range setting is selected. When the meter is set to a bipolar range setting, it will display measurements over a +/- range, flashing the display to indicate overflow for input values greater than +RANGE, and flashing the display to indicate underflow for input values less than -RANGE. A zero-value measurement will illuminate a single center LED. Increasingly negative input values will illuminate the bargraph from center to the leftmost LED until all left-side LEDs are illuminated at negative full-scale, and increasingly positive input values will illuminate the bargraph from center to the rightmost LED until all right-side LEDs are illuminated at positive full-scale.

When set to a unipolar range setting, the meter will display measurements over a positive only range. Negative input values will result in an underflow condition of a flashing zero reading. Positive input values exceeding the maximum range will result in a flashing overflow condition. The bargraph will indicate a measurement of zero or less by illuminating the leftmost LED, and increasingly positive input values will illuminate the bargraph to the rightmost LED until all LEDs are illuminated at positive full-scale.

Display Intensity Settings

Set the display intensity by setting the switches as shown:

| SW1 | SW2 | Dipswitch | Display Intensity |
|-----|-----|---|--------------------|
| OFF | OFF |  | Low |
| OFF | ON |  | Medium |
| ON | OFF |  | High |
| ON | ON |  | High2 ³ |

³ Provides only slightly higher intensity than 'High' setting

TECHNICAL NOTES



1. Calibration

The DMR35 is calibrated at the factory at manufacture. There are no user or field-adjustable calibration features.

2. Wiring

Power supply and input wiring must be rated for the electrical and environmental conditions under which the meter will be operated. They must also comply with any regulatory or application-mandated requirements pertaining to the user's installation. The terminal blocks can accommodate wire gauges ranging from #14 to #24 AWG. Wiring Insulation should be stripped to 6mm (0.24"). All wires must be inserted into the terminal block openings such that the screw terminal does not pinch any insulation. It is important to tighten all screw-terminals to their torque specification, which may be found in the Specifications Table. Proper tightening will help ensure reliable operation. Applications subject to vibration should use stranded wire. After final assembly, inspect all terminal block connections for shorts between adjacent conductors; this step is especially important when using stranded wire.

3. Protection and Fusing

DMR35 meters' power supply leads (+VS, -VS) are protected against momentary overvoltage and reverse polarity conditions. Input terminals +I_IN and -I_IN are protected against noise and brief transients. Protection, however, is not provided against sustained conditions exceeding the limits listed in the Performance & Functional Specifications Table. External fusing must be supplied by the user in accordance to applicable safety and regulatory requirements for the system in which the DMR35 is installed.

4. Noisy Power Supplies

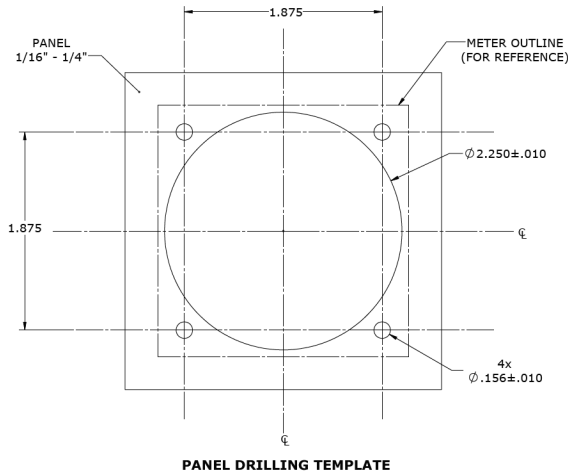
Some power supplies contain high-frequency switching devices that may conduct and/or radiate significant noise onto the low-level signal developed across the measurement inputs. Even though the DMR35 incorporates built-in input filtering, some portion of this noise may be amplified and subsequently measured by its sensitive input circuitry. Limiting runs of wire to less than 3 meters (10 feet) is strongly recommended. Also, in systems with noisy power supplies, connecting an external, non-polarized capacitor across the +VS and -VS inputs can help reduce measurement errors. In certain situations, the use of twisted pair or shield wiring may be required.

5. Self-Diagnostics

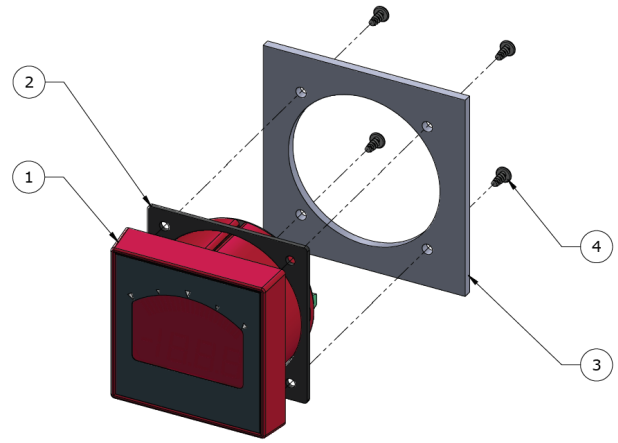
On power-on the meter performs a self-test and checks the integrity of calibration data stored in internal non-volatile memory. If the factory calibration data has been corrupted, the meter will display 'CAL' on power-on and approximately once a minute thereafter to indicate that the meter is relying on default calibration factors and that displayed measurements may have more than the datasheet-specified amount of error. If the meter detects other internal fault conditions, it will attempt to reset itself. Repeated restarts, which appear in the form of a highly intermittent display, are indicative of a hardware fault that cannot be cleared through a reset operation, in which case the meter should no longer be used.

PANEL INSTALLATION

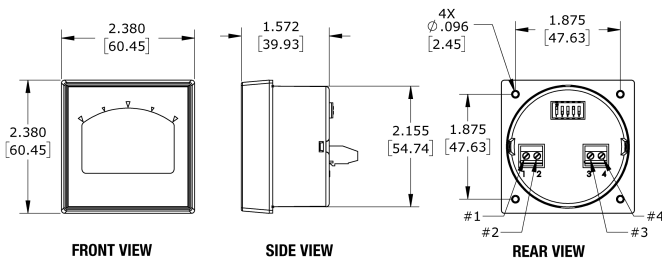
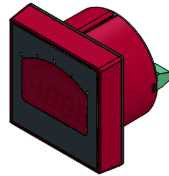
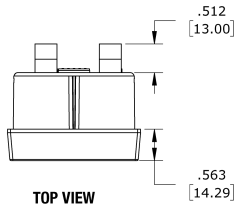
Panel Drill Template



Panel Mounting



MECHANICAL SPECIFICATIONS



DIMENSIONS ARE IN INCHES [mm]

TOLERANCES:
 2 PLACE ± .01 ANGLES: ± 0.5°
 3 PLACE ± .005

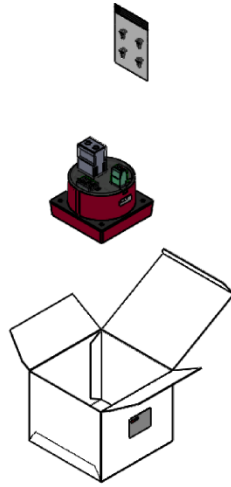
COMPONENTS SHOWN ARE FOR REFERENCE ONLY

MATERIAL:
 HOUSING: POLYCARBONATE
 GASKET: EPDM RUBBER

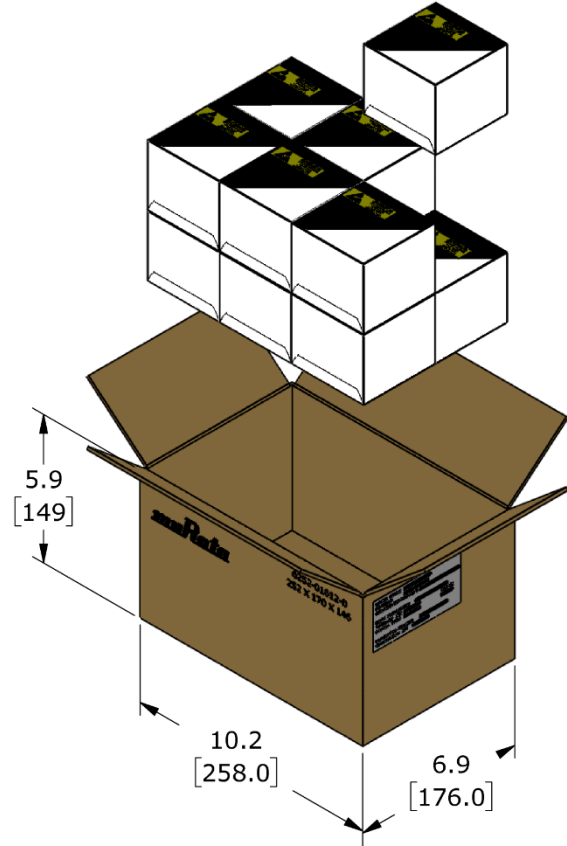


STANDARD PACKAGING

**INDIVIDUAL PACKAGING
(SHOWN FOR REFERENCE ONLY)**



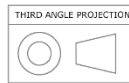
MOQ PACKAGING (12 UP)



DIMENSIONS ARE IN INCHES [mm]

TOLERANCES:
2 PLACE $\pm .01$ ANGLES: $\pm 0.5^\circ$
3 PLACE $\pm .005$

COMPONENTS SHOWN ARE FOR REFERENCE ONLY.



SCALE: 1:12

Murata Power Solutions, Inc.
129 Flanders Rd. Westborough, Ma 01581, USA.
ISO 9001 and 14001 REGISTERED



This product is subject to the following operating requirements and the Life and Safety Critical Application Sales Policy:
Refer to: <https://www.murata-ps.com/requirements/>

Murata Power Solutions, Inc. makes no representation that the use of its products in the circuits described herein, or the use of other technical information contained herein, will not infringe upon existing or future patent rights. The descriptions contained herein do not imply the granting of licenses to make, use, or sell equipment constructed in accordance therewith. Specifications are subject to change without notice.
©2021 Murata Power Solutions, Inc..