

DATA SHEET

WIRELESS COMPONENTS

Ceramic Patch Antenna
ANT2525B00FT2400S

2.4 – 2.5 GHz

PIN 25x25x4 mm



FEATURES

- High radiation efficiency
- Pin-solder process
- RoHS compliant

APPLICATIONS

- Navigation device
- Telematics box
- Fleet management

ORDERING INFORMATION

All part numbers are identified by the series, packing type, material, size, antenna type, working frequency and packing quantity.

PART NUMBER

ANT 2525 B 00F T 2400S
 (1) (2) (3) (4) (5) (6)

(1) PRODUCT

ANT = Antenna

(2) SIZE

2525 = 25 x 25 mm

(3) ANTENNA TYPE

B= Bulk antenna

(4) SERIAL NO.

00F

(5) PACKING STYLE

T = Tray

(6) WORKING FREQUENCY

2400= 2.45 GHz

PHYCOMP CTC

CAN43934250F2541B

I2NC

43934250F254

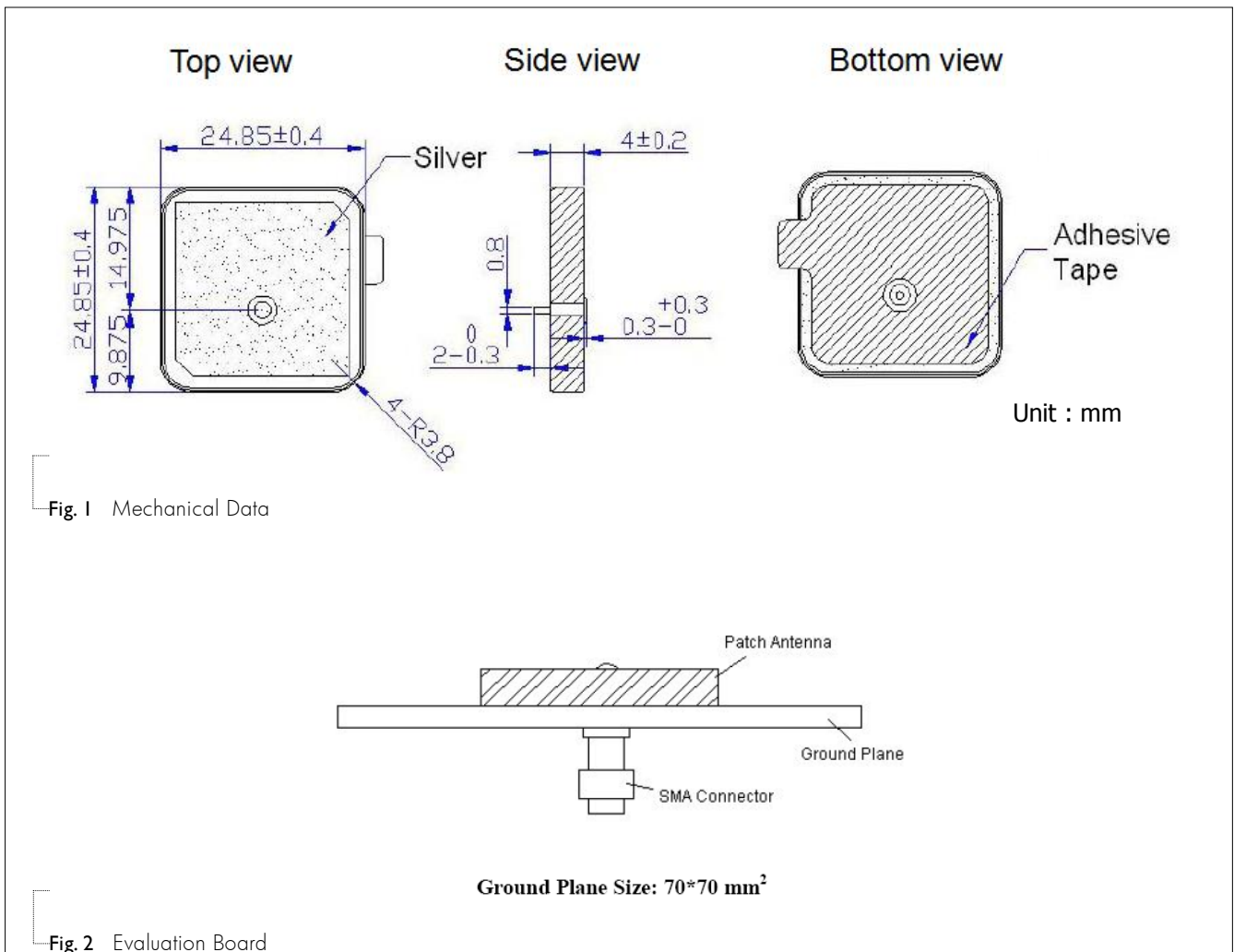
SPECIFICATION

Table I

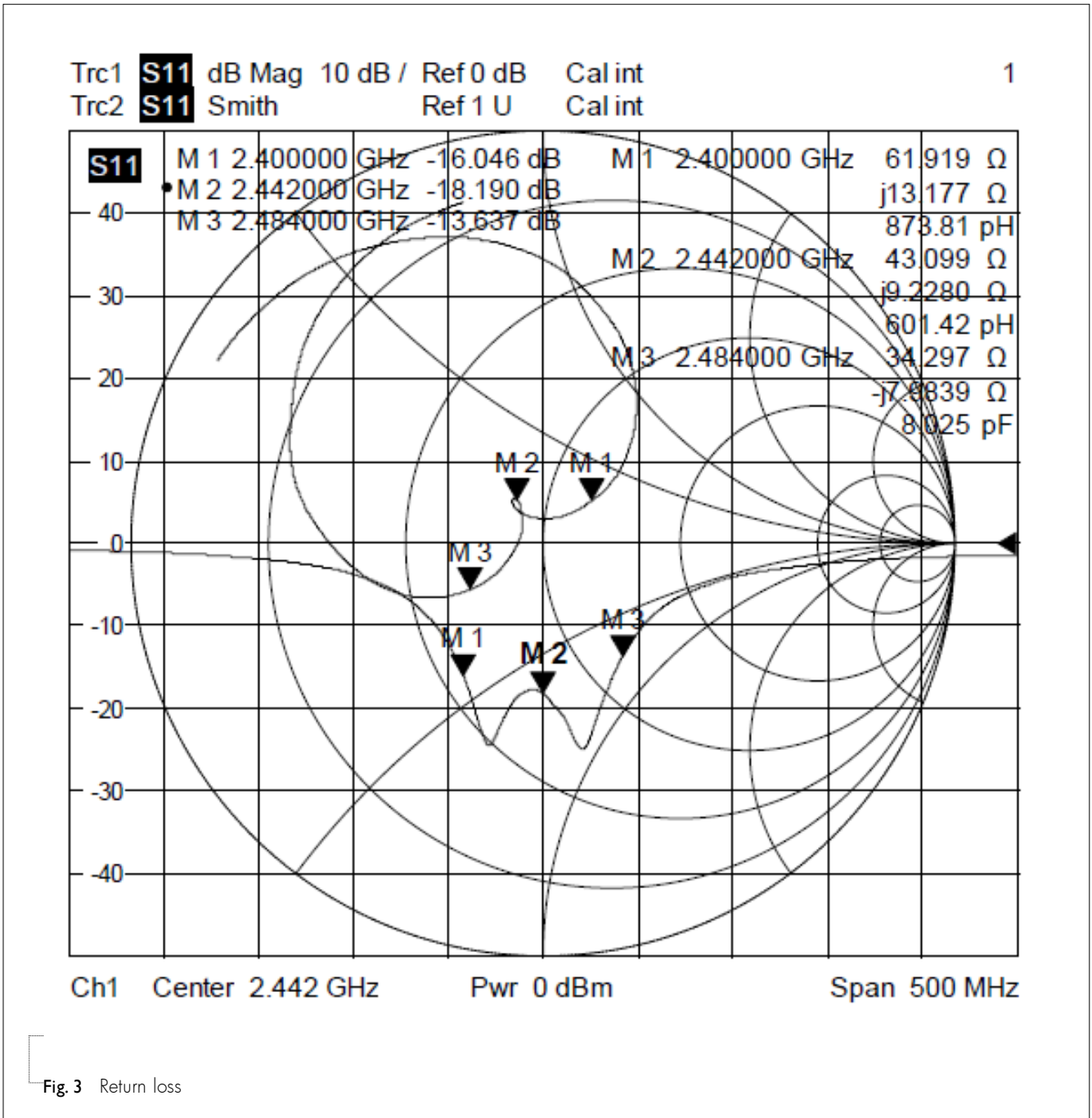
DESCRIPTION	VALUE
Centre Frequency	2400 - 2500 MHz
Bandwidth	>100 MHz (@-7dB)
Gain	7.0 dBi (Typ.)
VSWR	3 Max.
Polarization	Linear Polarization
Impedance	50Ω
Operating Temperature	-40~105 °C

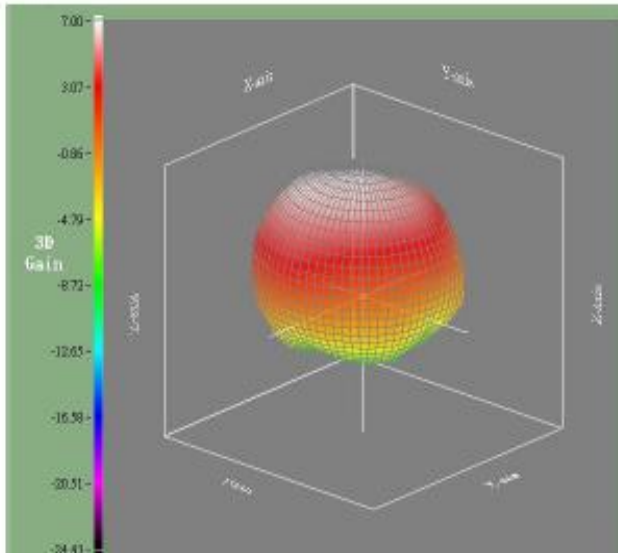
NOTE

1. Based on 70×70 mm² square ground plane.
2. Centre frequency will be offset to working frequency while changes of customer's housing and ground plane.
3. Please contact local sales if you need customized design to gain optimum antenna performance.

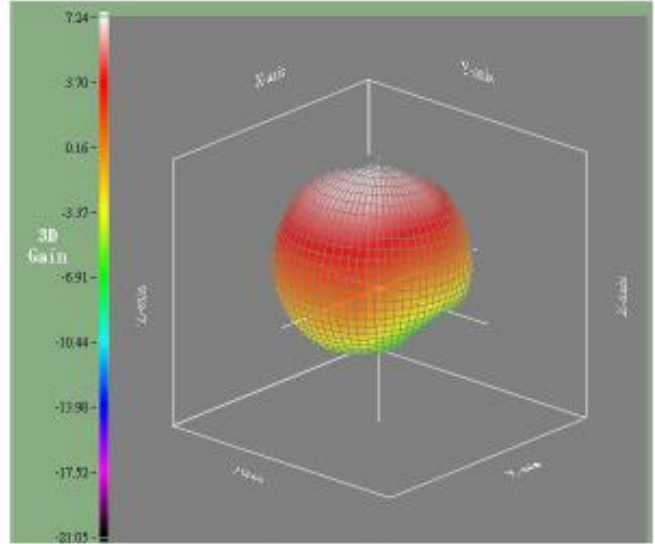


ELECTRICAL PERFORMANCES

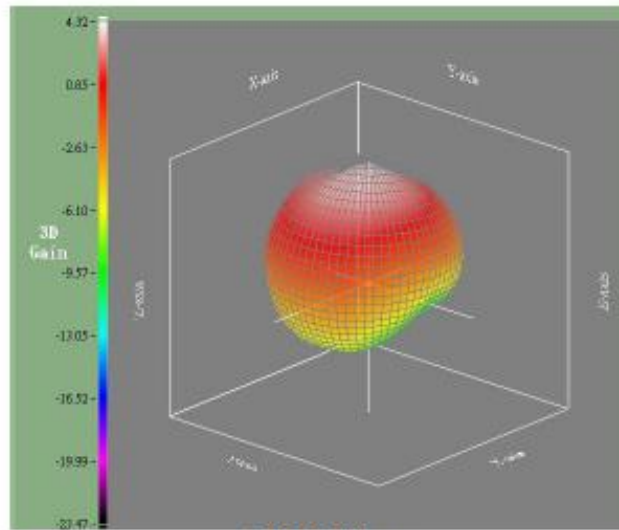




2400 MHz



2450 MHz



2484 MHz

Fig. 4 Radiation Pattern)

REVISION HISTORY

REVISION	DATE	CHANGE NOTIFICATION	DESCRIPTION
----------	------	---------------------	-------------

Version 0	Nov. 11, 2015 -		
-----------	-----------------	--	--

			- New data sheet for Patch antenna, PIN Feed size 25 x 25 x 4 mm
--	--	--	--