

DATA SHEET

WIRELESS COMPONENTS

Ceramic Patch Antenna

ANT1818B00BT1575S

GPS

SMD 18 × 18 × 4 mm



FEATURES

- High radiation efficiency
- Reflow process compatible
- RoHS compliant

APPLICATIONS

- Navigation device
- Telematics box
- Fleet management

ORDERING INFORMATION

All part numbers are identified by the series, packing type, material, size, antenna type, working frequency and packing quantity.

PART NUMBER

ANT 1818 B 00B T 1575S
 (1) (2) (3) (4) (5) (6)

(1) PRODUCT

ANT = Antenna

(2) SIZE

1818 = 18 × 18 mm

(3) ANTENNA TYPE

B = Bulk Antenna

(4) SERIAL NO.

00B

(5) PACKING STYLE

T = Tray

(6) WORKING FREQUENCY

1575= 1.575 GHz

PHYCOMP CTC

CAN43934240B1581B

I2NC

43934240B158

SPECIFICATION

Table 1

DESCRIPTION	VALUE
Centre Frequency	1580 ± 2MHz
Bandwidth	10 MHz (Typ.)
Gain	2.0 dBic (Typ.)
VSWR	1.5 Max.
Polarization	Right Hand Circular Polarization
Axis Ratio	≅ 3 dB
Beam Width	> 120 degrees
Impedance	50Ω
Operating Temperature	-40~105 °C

NOTE

1. Based on 50×50 mm² square ground plane.
2. Centre frequency will be offset to working frequency while changes of customer's housing and ground plane.
3. Please contact local sales if you need customized design to gain optimum antenna performance.

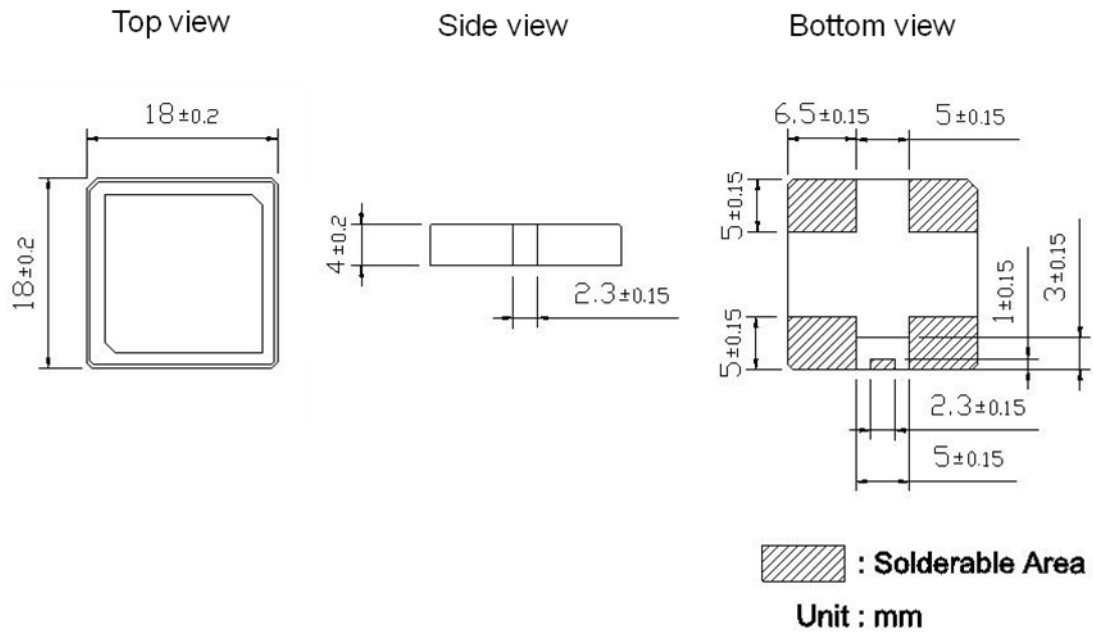


Fig. 1 Mechanical Data

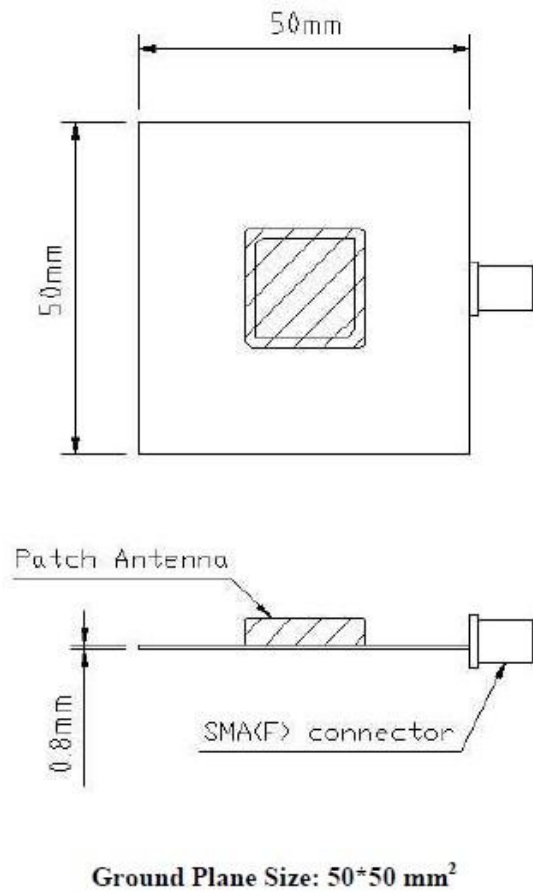


Fig. 2 Evaluation Board

ELECTRICAL PERFORMANCES

Trc1	S11	dB Mag	10 dB / Ref -10 dB	Cal	1 of 1 (Max)
Trc2	S11	Smith	Ref 1 U	Cal	
Mem3[Trc1]	S11	dB Mag	10 dB / Ref -10 dB	Invisible	
Mem4[Trc2]	S11	Smith	Ref 1 U	Invisible	

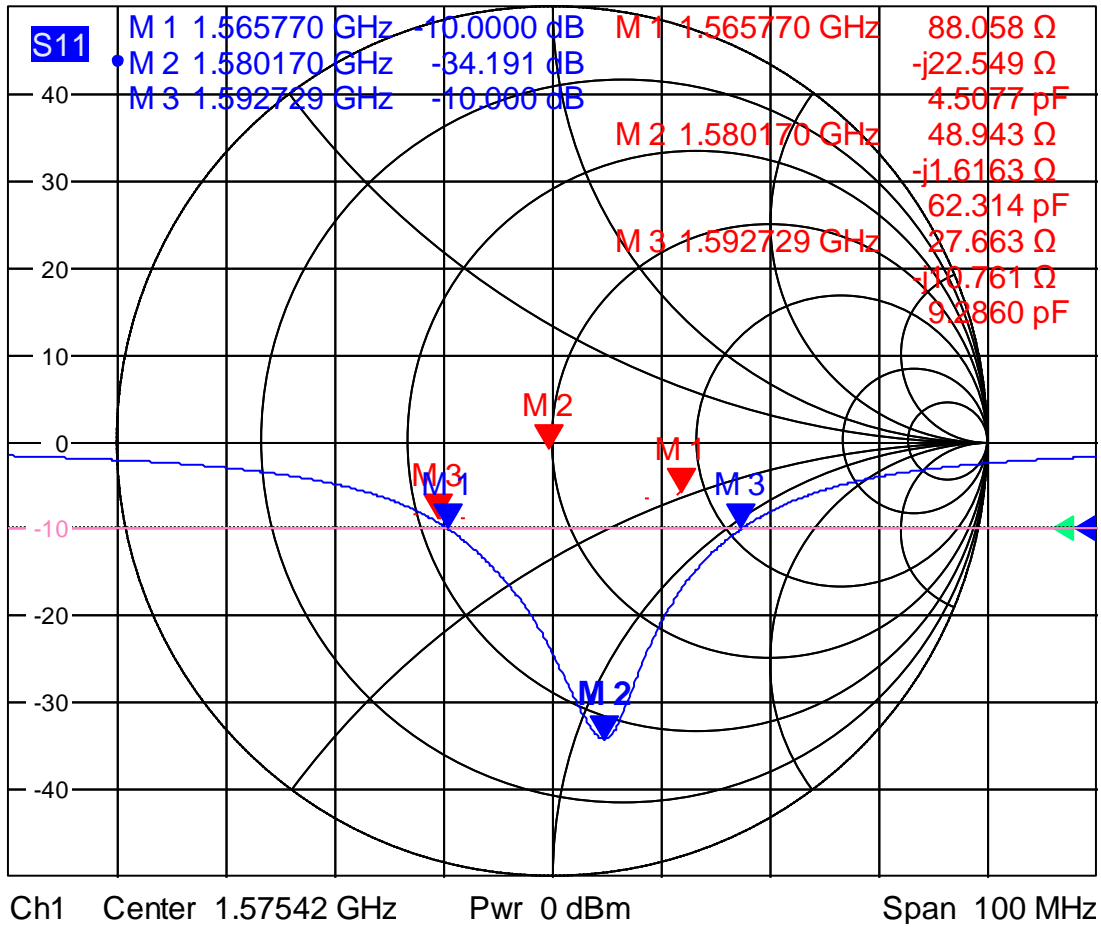


Fig. 3 Return loss

REVISION HISTORY

REVISION	DATE	CHANGE NOTIFICATION	DESCRIPTION
----------	------	---------------------	-------------

Version 0	May 11, 2015	-	- New data sheet for Patch antenna, SMD Feed size 18×18×4 mm
-----------	--------------	---	--