

DATA SHEET

INDUCTOR

Power Inductors

BPDx Series

RoHS compliant & Halogen Free



SMD Shielded Power Inductors – BPDx Series

BPDx Series



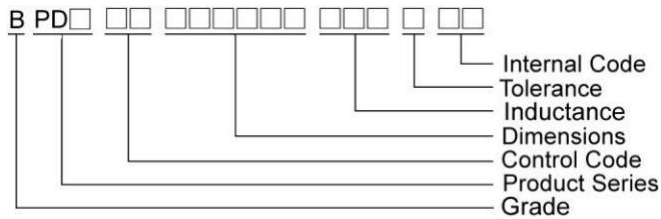
Features

- RoHS, Halogen Free and REACH Compliance
- Magnetic shielded
- Various package size and wide inductance range

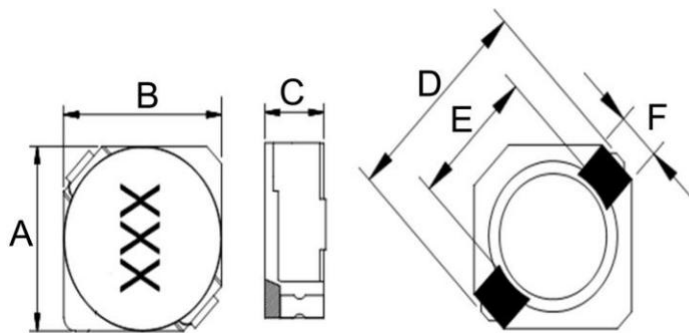
Applications

- AP Routers
- STBs
- LCD TVs and monitors
- Game consoles
- LED lightings
- DC/DC converters

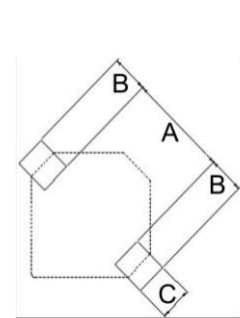
Product Identification



Shape and Dimensions



Recommended Pattern



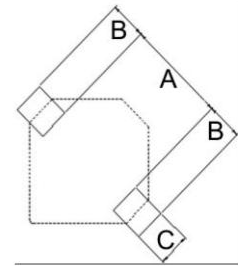
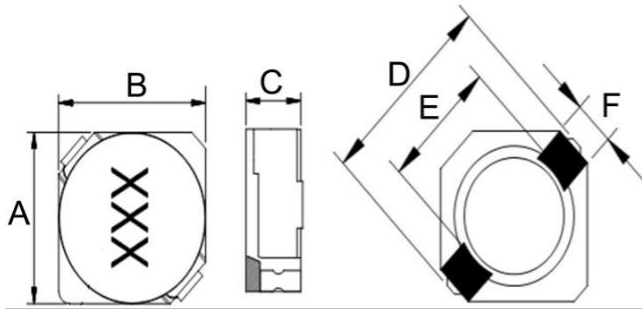
Dimensions in mm

TYPE	Shape and Dimensions						Recommended Pattern		
	A	B	C	D	E	F	A	B	C
BPDC00030310	3.0±0.2	3.0±0.2	1.0Max	4.5Max	2.1	1.0	1.7	1.3	1.3
BPDx00030312	3.0±0.2	3.0±0.2	1.2Max	4.5Max	2.1	1.0	1.7	1.3	1.3
BPDS00030316	3.0±0.2	3.0±0.2	1.55Max	4.5Max	2.1	1.0	1.7	1.3	1.3
BPDx00030320	3.0±0.2	3.0±0.2	2.0Max	4.5Max	2.1	1.0	1.7	1.3	1.3

SMD Shielded Power Inductors – BPDx Series

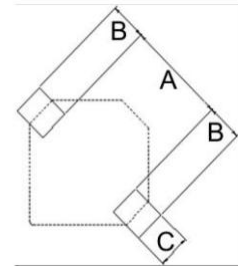
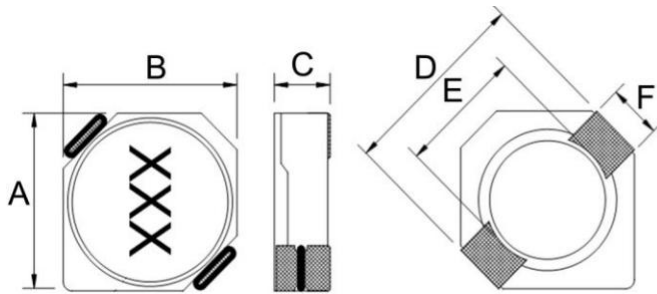
Shape and Dimensions

Recommended Pattern



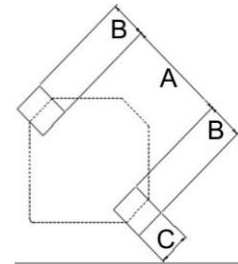
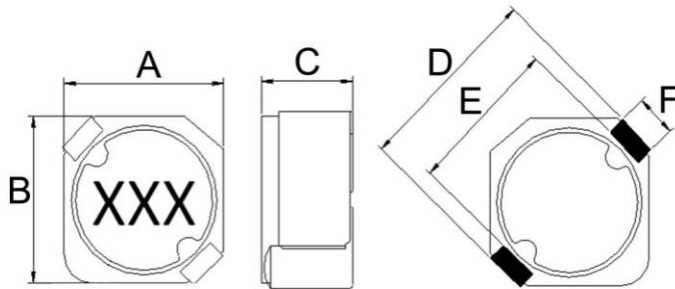
Dimensions in mm

TYPE	Shape and Dimensions						Recommended Pattern		
	A	B	C	D	E	F	A	B	C
BPDx00040415	3.8±0.2	3.8±0.2	1.5Max	5.2Max	2.8	1.1	2.4	1.4	1.5
BPDH00040418 (1R0~4R7)	3.8±0.2	3.8±0.2	1.5Max	5.4Max	2.8	1.1	2.4	1.4	1.5
BPDH00040418 (6R8~561)	3.8±0.2	3.8±0.2	1.5Max	5.2Max	2.8	1.1	2.4	1.4	1.5
BPDN00040423	3.8±0.2	3.8±0.2	2.3Max	5.0±0.4	2.8	1.1	2.4	1.4	1.5
BPDN00040430	3.8±0.2	3.8±0.2	3.0Max	5.4Max	2.8	1.1	2.4	1.4	1.5



Dimensions in mm

TYPE	Shape and Dimensions						Recommended Pattern		
	A	B	C	D	E	F	A	B	C
BPDH00040412	3.8±0.2	3.8±0.2	1.2Max	5.2Max	2.8	1.1	2.4	1.4	1.5
BPDH00060618	5.6±0.2	5.6±0.2	1.8Max	7.0Max	4.7	1.2	4.3	1.45	1.6

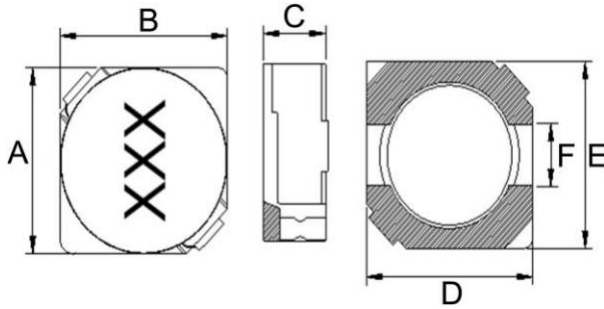


Dimensions in mm

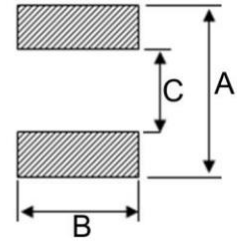
TYPE	Shape and Dimensions						Recommended Pattern		
	A	B	C	D	E	F	A	B	C
BPDC00050520	5.1Max	5.1Max	2.0Max	6.2Max	4.4	1.4	4	1.25	2
BPDC00050530	5.1Max	5.1Max	3.0Max	6.2Max	4.4	1.4	4	1.25	2

SMD Shielded Power Inductors – BPDx Series

Shape and Dimensions



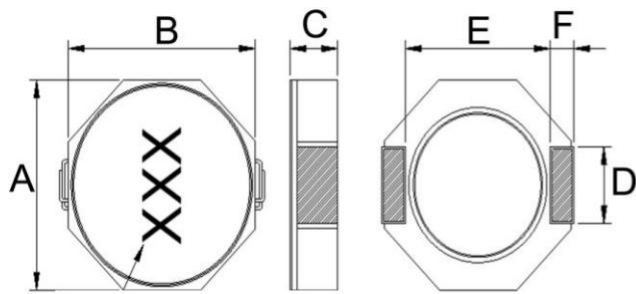
Recommended Pattern



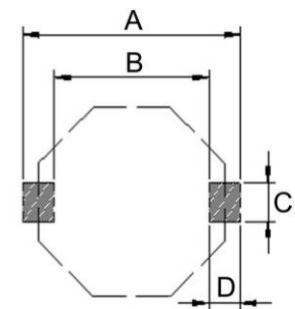
Dimensions in mm

TYPE	Shape and Dimensions						Recommended Pattern		
	A	B	C	D	E	F	A	B	C
BPDR00040416	3.8±0.2	3.8±0.2	1.6±0.3	3.7	3.7	1.2	4.4	14.4	1.2
BPDR00050520	4.7±0.3	4.7±0.3	2.0Max	4.5	4.5	1.5	5.3	5.3	1.5
BPDR00050530	4.7±0.3	4.7±0.3	3.0Max	4.5	4.5	1.5	5.3	5.3	1.5
BPDR00060620	5.7±0.3	5.7±0.3	2.0Max	5.5	5.5	2.0	6.3	6.3	2.0
BPDR00060630	5.7±0.3	5.7±0.3	3.0Max	5.5	5.5	2.0	6.3	6.3	2.0
BPDR00060655	5.7±0.3	5.7±0.3	5.5Max	5.5	5.5	2.0	6.3	6.3	2.0
BPDR00070730	6.7±0.3	6.7±0.3	3.0Max	6.5	6.5	2.0	7.3	7.3	2.0
BPDR00070740	6.7±0.3	6.7±0.3	4.0Max	6.5	6.5	2.0	7.3	7.3	2.0

Shape and Dimensions



Recommended Pattern



Dimensions in mm

TYPE	Shape and Dimensions						Recommended Pattern			
	A	B	C	D	E	F	A	B	C	D
BPDR00080830	8.0±0.2	8.0±0.2	3.0Max	2.5	6.3	1.2	10.1	6.1	2.8	2
BPDR00080840	8.0±0.2	8.0±0.2	4.0Max	2.5	6.3	1.2	10.1	6.1	2.8	2
BPDR00080845	8.0±0.2	8.0±0.2	4.5Max	2.5	6.3	1.2	10.1	6.1	2.8	2

SMD Shielded Power Inductors – BPDC Series**Standard Specifications**

Part Number	Inductance (μ H)	Tolerance (\pm %)	Test Frequency (kHz)	RDC (Ω)Max	Isat (A)Max	Irms (A)Typ	Marking
BPDC000303101R2 \square 00	1.2	20,30	100	0.078	0.83	1.55	1R2
BPDC000303101R5 \square 00	1.5	20,30	100	0.088	0.70	1.35	1R5
BPDC000303102R2 \square 00	2.2	20,30	100	0.119	0.60	1.20	2R2
BPDC000303102R4 \square 00	2.4	20,30	100	0.119	0.58	1.10	2R4
BPDC000303103R3 \square 00	3.3	20,30	100	0.174	0.50	0.90	3R3
BPDC000303104R7 \square 00	4.7	20,30	100	0.238	0.38	0.80	4R7
BPDC000303106R4 \square 00	6.4	20,30	100	0.29	0.36	0.65	6R4
BPDC000303108R2 \square 00	8.2	20,30	100	0.40	0.31	0.56	8R2
BPDC00030310100 \square 00	10	20,30	100	0.50	0.30	0.51	100
BPDC00030310120 \square 00	12	20,30	100	0.55	0.27	0.45	120
BPDC00030310150 \square 00	15	20,30	100	0.65	0.24	0.42	150
BPDC00030310180 \square 00	18	20,30	100	0.77	0.22	0.38	180
BPDC00030310220 \square 00	22	20,30	100	0.94	0.20	0.35	220
BPDC00030310270 \square 00	27	20,30	100	1.11	0.16	0.32	270

Note: When ordering, please specify tolerance code. Tolerance: M= \pm 20% , T= \pm 30%

- Operating temperature range - 40°C ~ 125°C(Including self - temperature rise)
- Isat for Inductance drop 35% from its value without current
- I rms for a 40°C temperature rise from 25°C ambient with current
- Rated DC Current : The less value which is Isat or I rms

SMD Shielded Power Inductors – BPDC Series**Standard Specifications**

Part Number	Inductance (μ H)	Tolerance (\pm %)	Test Frequency (kHz)	RDC (Ω)Max	Rated Current (A)Max	Marking
BPDC000505201R1 \square 00	1.1	30	100	0.029	2.4	1R1
BPDC000505201R2 \square 00	1.2	30	100	0.029	2.4	1R2
BPDC000505202R2 \square 00	2.2	20,30	100	0.039	1.7	2R2
BPDC000505203R0 \square 00	3.0	30	100	0.061	1.5	3R0
BPDC000505203R3 \square 00	3.3	20,30	100	0.061	1.5	3R3
BPDC000505204R7 \square 00	4.7	20,30	100	0.110	1.15	4R7
BPDC000505206R8 \square 00	6.8	30	100	0.125	1.05	6R8
BPDC00050520100 \square 00	10	20,30	100	0.156	0.83	100
BPDC00050520150 \square 00	15	20,30	100	0.194	0.70	150
BPDC00050520220 \square 00	22	20,30	100	0.323	0.60	220
BPDC00050520330 \square 00	33	20,30	100	0.550	0.46	330
BPDC00050520470 \square 00	47	20,30	100	0.783	0.41	470
BPDC00050520680 \square 00	68	20,30	100	1.16	0.305	680
BPDC00050520101 \square 00	100	20,30	100	1.51	0.250	101

Note: When ordering, please specify tolerance code. Tolerance: M= \pm 20% , T= \pm 30%

- Operating temperature range - 40°C ~ 125°C(Including self - temperature rise)
- Rated Current : Based on inductance change (Δ L/Lo : drop 35% Max.) @ ambient temp. 25°C and Based on temperature rise (Δ T : 40°C Typ.)

SMD Shielded Power Inductors – BPDC Series**Standard Specifications**

Part Number	Inductance (μ H)	Tolerance (\pm %)	Test Frequency (kHz)	RDC (Ω)Max	Rated Current (A)Max	Marking
BPDC000505301R1□00	1.1	30	100	0.022	3.8	1R1
BPDC000505302R0□00	2.0	20,30	100	0.029	2.6	2R0
BPDC000505303R2□00	3.2	30	100	0.042	2.3	3R2
BPDC000505304R7□00	4.7	20,30	100	0.063	1.8	4R7
BPDC000505306R3□00	6.3	30	100	0.094	1.3	6R3
BPDC00050530100□00	10	20,30	100	0.106	1.26	100
BPDC00050530150□00	15	20,30	100	0.137	1.05	150
BPDC00050530220□00	22	20,30	100	0.207	0.85	220
BPDC00050530330□00	33	20,30	100	0.331	0.70	330
BPDC00050530470□00	47	20,30	100	0.510	0.54	470
BPDC00050530680□00	68	20,30	100	0.625	0.49	680
BPDC00050530101□00	100	20,30	100	0.948	0.40	101

Note: When ordering, please specify tolerance code. Tolerance: M= \pm 20% , T= \pm 30%

- Operating temperature range - 40°C ~ 125°C(Including self - temperature rise)
- Rated Current : Based on inductance change (Δ L/Lo : drop 35% Max.) @ ambient temp. 25°C and Based on temperature rise (Δ T : 40°C Typ.)

SMD Shielded Power Inductors – BPDH Series**Standard Specifications**

Part Number	Inductance (μ H)	Tolerance (\pm %)	Test	RDC (Ω)Max	Isat (A)Max	Irms (A)Typ	Marking
			Frequency (kHz)				
BPDH000303121R5□00	1.5	30	100	0.08	1.35	1.6	1R5
BPDH000303122R2□00	2.2	20,30	100	0.12	1.10	1.3	2R2
BPDH000303123R3□00	3.3	30	100	0.173	0.90	0.9	3R3
BPDH000303124R7□00	4.7	30	100	0.238	0.75	0.85	4R7
BPDH000303126R2□00	6.2	20,30	100	0.371	0.63	0.65	6R2
BPDH000303126R8□00	6.8	30	100	0.371	0.63	0.65	6R8
BPDH00030312100□00	10	20,30	100	0.559	0.52	0.52	100
BPDH00030312220□00	22	20,30	100	1.30	0.33	0.40	220
BPDH00030312330□00	33	20,30	100	1.52	0.25	0.35	330

Note: When ordering, please specify tolerance code. Tolerance: M= \pm 20% , T= \pm 30%

- Operating temperature range - 40°C ~ 125°C(Including self - temperature rise)
- Isat for Inductance drop 35% from its value without current
- Irms for a 40°C temperature rise from 25°C ambient with current
- Rated DC Current : The less value which is Isat or Irms

SMD Shielded Power Inductors – BPDH Series**Standard Specifications**

Part Number	Inductance (μ H)	Tolerance (\pm %)	Test Frequency (kHz)	RDC (Ω)Max	Isat (A)Max	Irms (A)Typ	Marking
BPDH000303201R3 \square 00	1.3	30	100	0.044	1.90	2.5	1R3
BPDH000303201R5 \square 00	1.5	30	100	0.044	1.85	2.2	1R5
BPDH000303201R7 \square 00	1.7	30	100	0.044	1.85	2.2	1R7
BPDH000303202R2 \square 00	2.2	20,30	100	0.060	1.60	1.9	2R2
BPDH000303203R3 \square 00	3.3	20,30	100	0.086	1.45	1.55	3R3
BPDH000303203R9 \square 00	3.9	30	100	0.125	1.30	1.35	3R9
BPDH000303204R7 \square 00	4.7	20,30	100	0.140	1.20	1.20	4R7
BPDH000303206R3 \square 00	6.3	20,30	100	0.160	1.05	1.15	6R3
BPDH00030320100 \square 00	10	20,30	100	0.245	0.85	0.90	100
BPDH00030320150 \square 00	15	20,30	100	0.345	0.7	0.64	150
BPDH00030320470 \square 00	47	20,30	100	1.1	0.4	0.40	470

Note: When ordering, please specify tolerance code. Tolerance: M= \pm 20% , T= \pm 30%

- Operating temperature range - 40°C ~ 125°C(Including self - temperature rise)
- Isat for Inductance drop 35% from its value without current
- Irms for a 40°C temperature rise from 25°C ambient with current
- Rated DC Current : The less value which is Isat or Irms

SMD Shielded Power Inductors – BPDH Series**Standard Specifications**

Part Number	Inductance (μ H)	Tolerance (\pm %)	Test Frequency (kHz)	RDC (Ω)Max	Isat (A)Max	Irms (A)Typ	Marking
BPDH00040412R60□00	0.6	30	100	0.059	2.9	1.80	R60
BPDH000404121R2□00	1.2	30	100	0.082	2.0	1.70	1R2
BPDH000404121R5□00	1.5	30	100	0.104	1.85	1.45	1R5
BPDH000404122R2□00	2.2	30	100	0.143	1.60	1.15	2R2
BPDH000404122R5□00	2.5	20,30	100	0.150	1.55	1.10	2R5
BPDH000404123R3□00	3.3	30	100	0.182	1.25	0.95	3R3
BPDH000404124R7□00	4.7	20,30	100	0.234	1.00	0.90	4R7
BPDH000404125R6□00	5.6	20,30	100	0.305	0.93	0.80	5R6
BPDH000404126R8□00	6.8	30	100	0.377	0.85	0.70	6R8
BPDH00040412100□00	10	20,30	100	0.413	0.80	0.60	100
BPDH00040412120□00	12	20,30	100	0.585	0.64	0.48	120
BPDH00040412150□00	15	20,30	100	0.653	0.58	0.45	150
BPDH00040412180□00	18	20,30	100	0.888	0.52	0.40	180
BPDH00040412220□00	22	20,30	100	1.012	0.45	0.33	220

Note: When ordering, please specify tolerance code. Tolerance: M= \pm 20% , T= \pm 30%

- Operating temperature range - 40°C ~ 125°C(Including self - temperature rise)
- Isat for Inductance drop 35% from its value without current
- I rms for a 40°C temperature rise from 25°C ambient with current
- Rated DC Current : The less value which is Isat or I rms

SMD Shielded Power Inductors – BPDH Series

Standard Specifications

Part Number	Inductance (μ H)	Tolerance (\pm %)	Test Frequency (kHz)	RDC (Ω)Max	Isat (A)Max	Irms (A)Typ	Marking
BPDH000404151R5 \square 00	1.5	25,30	100	0.076	2.6	1.85	1R5
BPDH000404152R2 \square 00	2.2	30	100	0.129	2.0	1.32	2R2
BPDH000404152R4 \square 00	2.4	30	100	0.129	2.0	1.32	2R4
BPDH000404153R2 \square 00	3.2	30	100	0.139	1.8	1.25	3R2
BPDH000404154R7 \square 00	4.7	20,25,30	100	0.214	1.45	1.04	4R7
BPDH000404156R8 \square 00	6.8	20,25,30	100	0.29	1.20	0.84	6R8
BPDH00040415100 \square 00	10	20,25,30	100	0.44	1.00	0.67	100
BPDH00040415150 \square 00	15	20,30	100	0.65	0.80	0.50	150
BPDH00040415180 \square 00	18	20,30	100	0.74	0.73	0.49	180
BPDH00040415220 \square 00	22	20,25,30	100	0.83	0.65	0.48	220

Note: When ordering, please specify tolerance code. Tolerance: M= \pm 20% , Y= \pm 25% , T= \pm 30%

- Operating temperature range - 40°C ~ 125°C(Including self - temperature rise)
- Isat for Inductance drop 35% from its value without current
- I rms for a 40°C temperature rise from 25°C ambient with current
- Rated DC Current : The less value which is Isat or I rms

SMD Shielded Power Inductors – BPDH Series**Standard Specifications**

Part Number	Inductance (μ H)	Tolerance (\pm %)	Test Frequency (kHz)	RDC (Ω)Max	Isat (A)Max	Irms (A)Typ	Marking
BPDH000404181R0 \square 00	1.0	30	100	0.048	2.5	2.8	1R0
BPDH000404181R2 \square 00	1.2	30	100	0.0495	2.3	2.6	1R2
BPDH000404181R5 \square 00	1.5	30	100	0.051	2.0	2.4	1R5
BPDH000404181R7 \square 00	1.7	30	100	0.051	2.0	2.4	1R7
BPDH000404182R2 \square 00	2.2	20,30	100	0.059	1.75	2.3	2R2
BPDH000404183R3 \square 00	3.3	20,30	100	0.085	1.4	1.8	3R3
BPDH000404184R7 \square 00	4.7	20,30	100	0.116	1.2	1.5	4R7
BPDH000404186R8 \square 00	6.8	20,30	100	0.18	1.0	1.1	6R8
BPDH00040418100 \square 00	10	20,30	100	0.23	0.84	1.0	100
BPDH00040418150 \square 00	15	20,30	100	0.41	0.65	0.75	150
BPDH00040418220 \square 00	22	20,30	100	0.61	0.55	0.52	220
BPDH00040418330 \square 00	33	20,30	100	0.87	0.46	0.41	330
BPDH00040418470 \square 00	47	20,30	100	0.95	0.42	0.37	470
BPDH00040418561 \square 00	560	20,30	100	15	0.09	0.11	561

Note: When ordering, please specify tolerance code. Tolerance: M= \pm 20% , T= \pm 30%

- Operating temperature range - 40°C ~ 125°C(Including self - temperature rise)
- Isat for Inductance drop 35% from its value without current
- I rms for a 40°C temperature rise from 25°C ambient with current
- Rated DC Current : The less value which is Isat or I rms

SMD Shielded Power Inductors – BPDH Series

Standard Specifications

Part Number	Inductance (μ H)	Tolerance (\pm %)	Test Frequency (kHz)	RDC (Ω)Max	Isat (A)Max	Irms (A)Typ	Marking
BPDH00060618R90□00	0.9	30	100	0.022	4.7	5.0	R90
BPDH000606182R2□00	2.2	20,30	100	0.0359	3.0	2.9	2R2
BPDH000606184R7□00	4.7	20,30	100	0.0641	2.1	2.1	4R7
BPDH00060618100□00	10	20,30	100	0.14	1.45	1.3	100
BPDH00060618150□00	15	20,30	100	0.24	1.10	1.1	150
BPDH00060618220□00	22	20,30	100	0.32	0.95	0.8	220

Note: When ordering, please specify tolerance code. Tolerance: M= \pm 20% , T= \pm 30%

- Operating temperature range - 40°C ~ 125°C(Including self - temperature rise)
- Isat for Inductance drop 35% from its value without current
- I rms for a 40°C temperature rise from 25°C ambient with current
- Rated DC Current : The less value which is Isat or I rms

SMD Shielded Power Inductors – BPDH Series

Standard Specifications

Part Number	Inductance (μ H)	Tolerance (\pm %)	Test Frequency (kHz)	RDC (Ω)Max	Isat (A)Max	Irms (A)Typ	Marking
BPDH000707304R7□00	4.7	20,30	100	0.042	3.5	3.5	4R7
BPDH00070730100□00	10	20,30	100	0.085	2.3	2.3	100
BPDH00070730150□00	15	20,30	100	0.128	2.0	1.45	150
BPDH00070730220□00	22	20,30	100	0.174	1.7	1.2	220
BPDH00070730330□00	33	20,30	100	0.250	1.5	1.1	330

Note: When ordering, please specify tolerance code. Tolerance: M= \pm 20% , T= \pm 30%

- Operating temperature range - 40°C ~ 125°C(Including self - temperature rise)
- Isat for Inductance drop 35% from its value without current
- Irms for a 40°C temperature rise from 25°C ambient with current
- Rated DC Current : The less value which is Isat or Irms

SMD Shielded Power Inductors – BPDF Series

Standard Specifications

Part Number	Inductance (μ H)	Tolerance (\pm %)	Test Frequency (kHz)	RDC (Ω)Max	Isat (A)Max	Irms (A)Typ	Marking
BPDF000303121R5□00	1.5	30	100	0.068	0.90	1.48	1R5
BPDF000303122R2□00	2.2	30	100	0.098	0.78	1.27	2R2
BPDF000303123R3□00	3.3	30	100	0.123	0.60	1.02	3R3
BPDF000303124R7□00	4.7	20,30	100	0.17	0.50	0.88	4R7
BPDF000303126R8□00	6.8	30	100	0.26	0.44	0.80	6R8
BPDF00030312100□00	10	20,30	100	0.40	0.35	0.65	100
BPDF00030312150□00	15	20,30	100	0.52	0.31	0.60	150
BPDF00030312220□00	22	20,30	100	0.67	0.27	0.55	220
BPDF00030312330□00	33	20,30	100	1.00	0.22	0.40	330

Note: When ordering, please specify tolerance code. Tolerance: M= \pm 20% , T= \pm 30%

- Operating temperature range - 40°C ~ 125°C(Including self - temperature rise)
- Isat for Inductance drop 35% from its value without current
- Irms for a 40°C temperature rise from 25°C ambient with current
- Rated DC Current : The less value which is Isat or Irms

SMD Shielded Power Inductors – BPDF Series

Standard Specifications

Part Number	Inductance (μ H)	Tolerance (\pm %)	Test Frequency (kHz)	RDC (Ω)Max	Isat (A)Max	Irms (A)Typ	Marking
BPDF000303202R2□00	2.2	20,30	100	0.041	0.85	2.3	2R2
BPDF000303203R3□00	3.3	20,30	100	0.054	0.75	2.1	3R3
BPDF000303204R7□00	4.7	30	100	0.078	0.63	1.65	4R7
BPDF000303206R8□00	6.8	30	100	0.106	0.52	1.32	6R8
BPDF00030320100□00	10	20,30	100	0.18	0.43	1.00	100
BPDF00030320150□00	15	30	100	0.22	0.35	0.80	150
BPDF00030320220□00	22	20,30	100	0.32	0.30	0.68	220
BPDF00030320330□00	33	20,30	100	0.46	0.24	0.56	330
BPDF00030320470□00	47	20,30	100	0.66	0.20	0.48	470

Note: When ordering, please specify tolerance code. Tolerance: M= \pm 20% , T= \pm 30%

- Operating temperature range - 40°C ~ 125°C(Including self - temperature rise)
- Isat for Inductance drop 35% from its value without current
- I rms for a 40°C temperature rise from 25°C ambient with current
- Rated DC Current : The less value which is Isat or I rms

SMD Shielded Power Inductors – BPDF Series

Standard Specifications

Part Number	Inductance (uH)	Tolerance (±%)	Test Frequency (kHz)	RDC (Ω)Max	Isat (A)Max	Irms (A)Typ	Marking
BPDF000404151R2□00	1.2	30	100	0.038	1.50	2.7	1R2
BPDF000404151R5□00	1.5	30	100	0.048	1.35	2.4	1R5
BPDF000404152R0□00	2.0	30	100	0.055	1.15	2.2	2R0
BPDF000404152R2□00	2.2	20,30	100	0.055	1.15	2.2	2R2
BPDF000404152R5□00	2.5	30	100	0.068	1.05	1.9	2R5
BPDF000404153R0□00	3.0	30	100	0.077	0.95	1.6	3R0
BPDF000404153R9□00	3.9	30	100	0.096	0.80	1.5	3R9
BPDF000404154R5□00	4.5	30	100	0.105	0.75	1.45	4R5
BPDF000404155R6□00	5.6	30	100	0.159	0.70	1.10	5R6
BPDF000404156R8□00	6.8	30	100	0.173	0.60	1.05	6R8
BPDF00040415100□00	10	20,30	100	0.220	0.50	1.00	100
BPDF00040415120□00	12	20,30	100	0.270	0.45	0.80	120
BPDF00040415150□00	15	20,30	100	0.302	0.40	0.75	150
BPDF00040415220□00	22	20,30	100	0.447	0.35	0.60	220
BPDF00040415330□00	33	20,30	100	0.848	0.30	0.40	330
BPDF00040415470□00	47	20,30	100	1.080	0.25	0.35	470

Note: When ordering, please specify tolerance code. Tolerance: M=±20% , T=±30%

- Operating temperature range - 40°C ~ 125°C(Including self - temperature rise)
- Isat for Inductance drop 35% from its value without current
- Irms for a 40°C temperature rise from 25°C ambient with current
- Rated DC Current : The less value which is Isat or Irms

SMD Shielded Power Inductors – BPDN Series

Standard Specifications

Part Number	Inductance (μ H)	Tolerance (\pm %)	Test	RDC (Ω)Max	Isat (A)Max	Irms (A)Typ	Marking
			Frequency (kHz)				
BPDN000404152R2□00	2.2	25,30	100	0.055	1.15	2.2	2R2
BPDN000404154R7□00	4.7	25,30	100	0.105	0.75	1.45	4R7

Note: When ordering, please specify tolerance code. Tolerance: Y= \pm 25% , T= \pm 30%

- Operating temperature range - 40°C ~ 125°C(Including self - temperature rise)
- Isat for Inductance drop 35% from its value without current
- Irms for a 40°C temperature rise from 25°C ambient with current
- Rated DC Current : The less value which is Isat or Irms

SMD Shielded Power Inductors – BPDN Series**Standard Specifications**

Part Number	Inductance (μ H)	Tolerance (\pm %)	Test Frequency (kHz)	RDC (Ω)Max	Isat (A)Max	Irms (A)Typ	Marking
BPDN000404231R0□00	1.0	25	100	0.025	2.8	3.1	1R0
BPDN000404231R5□00	1.5	25	100	0.029	2.2	2.9	1R5
BPDN000404232R2□00	2.2	25	100	0.0383	1.8	2.5	2R2
BPDN000404233R3□00	3.3	25	100	0.0563	1.45	2.2	3R3
BPDN000404234R7□00	4.7	25	100	0.0688	1.30	1.9	4R7
BPDN000404235R6□00	5.6	25	100	0.075	1.10	1.8	5R6
BPDN000404236R8□00	6.8	25	100	0.0878	1.00	1.7	6R8
BPDN000404238R2□00	8.2	25	100	0.0948	0.95	1.6	8R2
BPDN00040423100□00	10	20,25	100	0.117	0.85	1.4	100
BPDN00040423150□00	15	20,25	100	0.119	0.70	0.85	150
BPDN00040423220□00	22	20,25	100	0.270	0.55	0.75	220
BPDN00040423330□00	33	20,25	100	0.381	0.50	0.60	330
BPDN00040423470□00	47	20,25	100	0.546	0.35	0.55	470

Note: When ordering, please specify tolerance code. Tolerance: M= \pm 20% , Y= \pm 25%

- Operating temperature range - 40°C ~ 125°C(Including self - temperature rise)
- Isat for Inductance drop 35% from its value without current
- Irms for a 40°C temperature rise from 25°C ambient with current
- Rated DC Current : The less value which is Isat or Irms

SMD Shielded Power Inductors – BPDN Series

Standard Specifications

Part Number	Inductance (μ H)	Tolerance (\pm %)	Test Frequency (kHz)	RDC (Ω)Max	Isat (A)Max	Irms (A)Typ	Marking
BPDN000404301R0□00	1.0	30	100	0.021	3.7	5.2	1R0
BPDN000404302R2□00	2.2	30	100	0.045	2.5	2.2	2R2
BPDN000404303R3□00	3.3	30	100	0.0721	2.0	1.85	3R3
BPDN000404304R7□00	4.7	30	100	0.0883	1.65	1.62	4R7
BPDN000404306R8□00	6.8	30	100	0.119	1.24	1.32	6R8
BPDN00040430100□00	10	30	100	0.145	1.05	1.18	100
BPDN00040430150□00	15	30	100	0.213	0.90	1.02	150
BPDN00040430220□00	22	30	100	0.335	0.76	0.74	220
BPDN00040430330□00	33	30	100	0.481	0.58	0.63	330
BPDN00040430470□00	47	30	100	0.599	0.48	0.56	470

Note: When ordering, please specify tolerance code. Tolerance: T= \pm 30%

- Operating temperature range - 40°C ~ 125°C(Including self - temperature rise)
- Isat for Inductance drop 35% from its value without current
- Irms for a 40°C temperature rise from 25°C ambient with current
- Rated DC Current : The less value which is Isat or Irms

SMD Shielded Power Inductors – BPDR Series

Standard Specifications

Part Number	Inductance (μ H)	Tolerance (\pm %)	Test Frequency (kHz)	RDC (Ω)Max	Rated Current (A)Max	Marking
BPDR000404162R2□00	2.2	20,30	100	0.072	1.2	2R2
BPDR000404163R3□00	3.3	30	100	0.085	1.1	3R3
BPDR000404164R7□00	4.7	20,30	100	0.105	0.9	4R7
BPDR000404166R2□00	6.2	30	100	0.16	0.8	6R2
BPDR000404166R8□00	6.8	20,30	100	0.17	0.73	6R8
BPDR000404168R2□00	8.2	30	100	0.20	0.65	8R2
BPDR00040416100□00	10	20,30	100	0.21	0.55	100
BPDR00040416150□00	15	20,30	100	0.295	0.45	150
BPDR00040416220□00	22	20,30	100	0.43	0.40	220
BPDR00040416330□00	33	20,30	100	0.675	0.32	330
BPDR00040416390□00	39	20,30	100	0.82	0.26	390
BPDR00040416470□00	47	20,30	100	0.99	0.24	470
BPDR00040416680□00	68	20,30	100	1.1	0.22	680
BPDR00040416101□00	100	20,30	100	2.2	0.17	101
BPDR00040416221□00	220	20,30	100	4.0	0.15	221

Note: When ordering, please specify tolerance code. Tolerance: M= \pm 20% , T= \pm 30%

- Operating temperature range - 40°C ~ 125°C(Including self - temperature rise)
- Rated Current : Based on inductance change (Δ L/Lo : drop 35% Max.) @ ambient temp. 25°C and Based on temperature rise (Δ T : 40°C Typ.)

SMD Shielded Power Inductors – BPDR Series

Standard Specifications

Part Number	Inductance (μ H)	Tolerance (\pm %)	Test Frequency (kHz)	RDC (Ω)Max	Rated Current (A)Max	Marking
BPDR000505201R0 \square 00	1.0	30	100	0.045	1.72	1R0
BPDR000505202R2 \square 00	2.2	30	100	0.075	1.32	2R2
BPDR000505202R7 \square 00	2.7	30	100	0.105	1.28	2R7
BPDR000505203R3 \square 00	3.3	30	100	0.110	1.04	3R3
BPDR000505203R9 \square 00	3.9	30	100	0.155	0.88	3R9
BPDR000505204R7 \square 00	4.7	20,30	100	0.162	0.84	4R7
BPDR000505205R6 \square 00	5.6	20,30	100	0.170	0.80	5R6
BPDR000505206R8 \square 00	6.8	20,30	100	0.200	0.76	6R8
BPDR000505208R2 \square 00	8.2	20,30	100	0.245	0.68	8R2
BPDR00050520100 \square 00	10	20,30	100	0.260	0.61	100
BPDR00050520120 \square 00	12	20,30	100	0.280	0.56	120
BPDR00050520150 \square 00	15	20,30	100	0.310	0.50	150
BPDR00050520180 \square 00	18	20,30	100	0.338	0.48	180
BPDR00050520220 \square 00	22	20,30	100	0.397	0.41	220
BPDR00050520270 \square 00	27	20,30	100	0.441	0.35	270
BPDR00050520330 \square 00	33	20,30	100	0.694	0.32	330
BPDR00050520390 \square 00	39	20,30	100	0.709	0.30	390
BPDR00050520101 \square 00	100	20,30	100	1.4	0.20	101
BPDR00050520221 \square 00	220	20,30	100	2.4	0.15	221

Note: When ordering, please specify tolerance code. Tolerance: M= \pm 20% , T= \pm 30%

- Operating temperature range - 40°C ~ 125°C(Including self - temperature rise)
- Rated Current : Based on inductance change (Δ L/Lo : drop 35% Max.) @ ambient temp. 25°C and Based on temperature rise (Δ T : 40°C Typ.)

SMD Shielded Power Inductors – BPDR Series

Standard Specifications

Part Number	Inductance (μ H)	Tolerance (\pm %)	Test Frequency (kHz)	RDC (Ω)Max	Rated Current (A)Max	Marking
BPDR000505301R0 \square 00	1.0	30	100	0.0236	2.56	1R0
BPDR000505301R2 \square 00	1.2	30	100	0.0236	2.56	1R2
BPDR000505301R8 \square 00	1.8	20,30	100	0.0275	2.20	1R8
BPDR000505302R2 \square 00	2.2	20,30	100	0.0313	2.04	2R2
BPDR000505302R7 \square 00	2.7	30	100	0.0433	1.60	2R7
BPDR000505303R3 \square 00	3.3	20,30	100	0.0492	1.57	3R3
BPDR000505303R9 \square 00	3.9	30	100	0.0648	1.44	3R9
BPDR000505304R7 \square 00	4.7	20,30	100	0.0720	1.32	4R7
BPDR000505305R6 \square 00	5.6	20,30	100	0.1009	1.17	5R6
BPDR000505306R8 \square 00	6.8	20,30	100	0.1089	1.12	6R8
BPDR000505308R2 \square 00	8.2	20,30	100	0.1175	1.04	8R2
BPDR00050530100 \square 00	10	20,30	100	0.1283	1.00	100
BPDR00050530120 \square 00	12	20,30	100	0.1316	0.84	120
BPDR00050530150 \square 00	15	20,30	100	0.149	0.76	150
BPDR00050530180 \square 00	18	20,30	100	0.166	0.72	180
BPDR00050530220 \square 00	22	20,30	100	0.235	0.70	220
BPDR00050530270 \square 00	27	20,30	100	0.261	0.58	270
BPDR00050530330 \square 00	33	20,30	100	0.3313	0.56	330
BPDR00050530390 \square 00	39	20,30	100	0.3837	0.50	390
BPDR00050530470 \square 00	47	20,30	100	0.587	0.48	470
BPDR00050530560 \square 00	56	20,30	100	0.6245	0.41	560
BPDR00050530680 \square 00	68	20,30	100	0.699	0.35	680
BPDR00050530820 \square 00	82	20,30	100	0.9148	0.32	820
BPDR00050530101 \square 00	100	10,20	100	1.02	0.29	101
BPDR00050530121 \square 00	120	10,20	100	1.27	0.27	121
BPDR00050530151 \square 00	150	10,20	100	1.35	0.24	151
BPDR00050530181 \square 00	180	10,20	100	1.54	0.22	181
BPDR00050530271 \square 00	270	20,30	100	3.00	0.16	271

Note: When ordering, please specify tolerance code. Tolerance: K= \pm 10% , M= \pm 20% , T= \pm 30%

- Operating temperature range - 40°C ~ 125°C(Including self - temperature rise)
- Rated Current : Based on inductance change (Δ L/Lo : drop 35% Max.) @ ambient temp. 25°C and Based on temperature rise (Δ T : 40°C Typ.)

SMD Shielded Power Inductors – BPDR Series

Standard Specifications

Part Number	Inductance (μ H)	Tolerance (\pm %)	Test Frequency (kHz)	RDC (Ω)Max	Rated Current (A)Max	Marking
BPDR000606204R1□00	4.1	30	100	0.057	1.95	4R1
BPDR000606205R4□00	5.4	30	100	0.076	1.60	5R4
BPDR000606206R2□00	6.2	20,30	100	0.096	1.40	6R2
BPDR000606206R8□00	6.8	20,30	100	0.096	1.40	6R8
BPDR000606208R9□00	8.9	20,30	100	0.116	1.25	8R9
BPDR00060620100□00	10	20,30	100	0.124	1.20	100
BPDR00060620120□00	12	20,30	100	0.153	1.10	120
BPDR00060620150□00	15	20,30	100	0.196	0.97	150
BPDR00060620180□00	18	20,30	100	0.21	0.85	180
BPDR00060620220□00	22	20,30	100	0.29	0.80	220
BPDR00060620270□00	27	20,30	100	0.33	0.75	270
BPDR00060620330□00	33	20,30	100	0.385	0.65	330
BPDR00060620390□00	39	20,30	100	0.52	0.57	390
BPDR00060620470□00	47	20,30	100	0.595	0.54	470
BPDR00060620560□00	56	20,30	100	0.665	0.50	560
BPDR00060620680□00	68	20,30	100	0.84	0.43	680
BPDR00060620820□00	82	20,30	100	0.978	0.41	820
BPDR00060620101□00	100	10,20	100	1.2	0.36	101

Note: When ordering, please specify tolerance code. Tolerance: K= \pm 10% , M= \pm 20% , T= \pm 30%

- Operating temperature range - 40°C ~ 125°C(Including self - temperature rise)
- Rated Current : Based on inductance change (Δ L/Lo : drop 35% Max.) @ ambient temp. 25°C and Based on temperature rise (Δ T : 40°C Typ.)

SMD Shielded Power Inductors – BPDR Series

Standard Specifications

Part Number	Inductance (μ H)	Tolerance (\pm %)	Test Frequency (kHz)	RDC (Ω)Max	Rated Current (A)Max	Marking
BPDR000606301R0 \square 00	1.0	30	100	0.012	3.7	1R0
BPDR000606301R2 \square 00	1.2	30	100	0.013	3.5	1R2
BPDR000606302R2 \square 00	2.2	30	100	0.018	2.8	2R2
BPDR000606302R5 \square 00	2.5	30	100	0.018	2.6	2R5
BPDR000606302R7 \square 00	2.7	30	100	0.018	2.6	2R7
BPDR000606303R0 \square 00	3.0	30	100	0.024	2.4	3R0
BPDR000606303R3 \square 00	3.3	20,30	100	0.024	2.4	3R3
BPDR000606303R9 \square 00	3.9	30	100	0.031	2.2	3R9
BPDR000606304R2 \square 00	4.2	30	100	0.031	2.2	4R2
BPDR000606304R7 \square 00	4.7	20,30	100	0.035	2.0	4R7
BPDR000606305R3 \square 00	5.3	30	100	0.038	1.9	5R3
BPDR000606306R2 \square 00	6.2	20,30	100	0.045	1.8	6R2
BPDR000606306R6 \square 00	6.6	20,30	100	0.045	1.8	6R6
BPDR000606308R2 \square 00	8.2	20,30	100	0.053	1.6	8R2
BPDR0006063010 \square 00	10	20,30	100	0.065	1.3	10
BPDR0006063012 \square 00	12	20,30	100	0.076	1.2	12
BPDR0006063015 \square 00	15	20,30	100	0.103	1.1	15
BPDR0006063018 \square 00	18	20,30	100	0.110	1.0	18
BPDR0006063022 \square 00	22	20,30	100	0.112	0.9	22
BPDR0006063027 \square 00	27	20,30	100	0.175	0.85	27
BPDR0006063033 \square 00	33	20,30	100	0.189	0.75	33
BPDR0006063039 \square 00	39	20,30	100	0.212	0.7	39
BPDR0006063047 \square 00	47	20,30	100	0.250	0.62	47
BPDR0006063056 \square 00	56	20,30	100	0.305	0.58	56
BPDR0006063068 \square 00	68	20,30	100	0.355	0.52	68
BPDR0006063082 \square 00	82	20,30	100	0.463	0.46	82
BPDR00060630101 \square 00	100	20,30	100	0.52	0.42	101
BPDR00060630151 \square 00	150	20,30	100	1.05	0.35	151
BPDR00060630181 \square 00	180	20,30	100	1.55	0.32	181
BPDR00060630221 \square 00	220	20,30	100	1.90	0.28	221

Note: When ordering, please specify tolerance code. Tolerance: M= \pm 20% , T= \pm 30%

- Operating temperature range - 40°C ~ 125°C(Including self - temperature rise)
- Rated Current : Based on inductance change (Δ L/Lo : drop 35% Max.) @ ambient temp. 25°C and Based on temperature rise (Δ T : 40°C Typ.)

SMD Shielded Power Inductors – BPDR Series

Standard Specifications

Part Number	Inductance (μ H)	Tolerance (\pm %)	Test Frequency (kHz)	RDC (Ω)Max	Isat (A)Max	Irms (A)Typ	Marking
BPDR000606551R5□00	1.5	20,30	100	0.0103	5.5	6.3	1R5
BPDR000606552R2□00	2.2	30	100	0.0170	4.5	5.0	2R2
BPDR000606553R3□00	3.3	20,30	100	0.0222	3.5	4.3	3R3
BPDR000606554R7□00	4.7	20,30	100	0.0261	3.0	4.0	4R7
BPDR000606556R8□00	6.8	20,30	100	0.0355	2.5	3.5	6R8
BPDR00060655100□00	10	20,30	100	0.0666	1.7	2.3	100
BPDR00060655101□00	100	30	100	0.358	0.65	0.85	101

Note: When ordering, please specify tolerance code. Tolerance: M= \pm 20% , T= \pm 30%

- Operating temperature range - 40°C ~ 125°C(Including self - temperature rise)
- Isat for Inductance drop 35% from its value without current
- I rms for a 40°C temperature rise from 25°C ambient with current
- Rated DC Current : The less value which is Isat or I rms

SMD Shielded Power Inductors – BPDR Series

Standard Specifications

Part Number	Inductance (μ H)	Tolerance (\pm %)	Test Frequency (kHz)	RDC (Ω)Max	Rated Current (A)Max	Marking
BPDR000707301R2 \square 00	1.2	30	100	0.014	4.5	1R2
BPDR000707301R5 \square 00	1.5	30	100	0.015	4.0	1R5
BPDR000707302R2 \square 00	2.2	20,30	100	0.020	3.5	2R2
BPDR000707303R0 \square 00	3.0	30	100	0.024	3.0	3R0
BPDR000707303R3 \square 00	3.3	30	100	0.025	3.0	3R3
BPDR000707303R6 \square 00	3.6	30	100	0.027	2.6	3R6
BPDR000707303R9 \square 00	3.9	30	100	0.027	2.6	3R9
BPDR000707304R7 \square 00	4.7	20,30	100	0.030	2.5	4R7
BPDR000707305R0 \square 00	5.0	30	100	0.031	2.4	5R0
BPDR000707306R0 \square 00	6.0	30	100	0.035	2.25	6R0
BPDR000707306R8 \square 00	6.8	30	100	0.054	2.1	6R8
BPDR000707307R3 \square 00	7.3	30	100	0.054	2.1	7R3
BPDR000707308R6 \square 00	8.6	30	100	0.058	1.85	8R6
BPDR000707309R0 \square 00	9.0	20,30	100	0.058	1.85	9R0
BPDR00070730100 \square 00	10	20,30	100	0.065	1.7	100
BPDR00070730120 \square 00	12	20,30	100	0.070	1.55	120
BPDR00070730150 \square 00	15	20,30	100	0.084	1.4	150
BPDR00070730180 \square 00	18	20,30	100	0.095	1.32	180
BPDR00070730220 \square 00	22	20,30	100	0.128	1.2	220
BPDR00070730270 \square 00	27	20,30	100	0.142	1.05	270
BPDR00070730330 \square 00	33	20,30	100	0.165	0.97	330
BPDR00070730390 \square 00	39	20,30	100	0.210	0.86	390
BPDR00070730470 \square 00	47	20,30	100	0.238	0.80	470
BPDR00070730560 \square 00	56	20,30	100	0.277	0.73	560
BPDR00070730680 \square 00	68	20,30	100	0.304	0.65	680
BPDR00070730820 \square 00	82	20,30	100	0.390	0.60	820
BPDR00070730101 \square 00	100	20,30	100	0.535	0.54	101
BPDR00070730151 \square 00	150	20,30	100	0.72	0.40	151

Note: When ordering, please specify tolerance code. Tolerance: M= \pm 20% , T= \pm 30%

- Operating temperature range - 40°C ~ 125°C(Including self - temperature rise)
- Rated Current : Based on inductance change (Δ L/Lo : drop 35% Max.) @ ambient temp. 25°C and Based on temperature rise (Δ T : 40°C Typ.)

SMD Shielded Power Inductors – BPDR Series

Standard Specifications

Part Number	Inductance (μ H)	Tolerance (\pm %)	Test Frequency (kHz)	RDC (Ω)Max	Rated Current (A)Max	Marking
BPDR000707401R0 \square 00	1.0	30	100	0.010	4.5	1R0
BPDR000707401R5 \square 00	1.5	30	100	0.011	4.3	1R5
BPDR000707402R2 \square 00	2.2	30	100	0.015	4.0	2R2
BPDR000707403R3 \square 00	3.3	20,30	100	0.020	3.5	3R3
BPDR000707403R8 \square 00	3.	30	100	0.020	3.5	3R8
BPDR000707405R0 \square 00	5.0	30	100	0.024	2.9	5R0
BPDR000707406R2 \square 00	6.2	30	100	0.027	2.5	6R2
BPDR000707406R8 \square 00	6.8	20,30	100	0.027	2.4	6R8
BPDR000707407R4 \square 00	7.4	30	100	0.031	2.3	7R4
BPDR000707408R2 \square 00	8.2	30	100	0.034	2.2	8R2
BPDR000707408R7 \square 00	8.7	30	100	0.034	2.2	8R7
BPDR00070740100 \square 00	10	20,30	100	0.038	2.0	100
BPDR00070740120 \square 00	12	20,30	100	0.053	1.7	120
BPDR00070740150 \square 00	15	20,30	100	0.057	1.6	150
BPDR00070740180 \square 00	18	20,30	100	0.092	1.5	180
BPDR00070740220 \square 00	22	20,30	100	0.096	1.3	220
BPDR00070740270 \square 00	27	20,30	100	0.109	1.2	270
BPDR00070740330 \square 00	33	20,30	100	0.124	1.1	330
BPDR00070740390 \square 00	39	20,30	100	0.138	1.0	390
BPDR00070740470 \square 00	47	20,30	100	0.155	0.95	470
BPDR00070740560 \square 00	56	20,30	100	0.202	0.85	560
BPDR00070740680 \square 00	68	20,30	100	0.234	0.75	680
BPDR00070740820 \square 00	82	20,30	100	0.324	0.70	820
BPDR00070740101 \square 00	100	10,20,30	100	0.358	0.65	101
BPDR00070740221 \square 00	220	20,30	100	1.50	0.45	221
BPDR00070740331 \square 00	330	20,30	100	1.55	0.35	331

Note: When ordering, please specify tolerance code. Tolerance: K= \pm 10% , M= \pm 20% , T= \pm 30%

- Operating temperature range - 40°C ~ 125°C(Including self - temperature rise)
- Rated Current : Based on inductance change (Δ L/Lo : drop 35% Max.) @ ambient temp. 25°C and Based on temperature rise (Δ T : 40°C Typ.)

SMD Shielded Power Inductors – BPDR Series

Standard Specifications

Part Number	Inductance (μ H)	Tolerance (\pm %)	Test Frequency (kHz)	RDC (Ω)Max	Isat (A)Max	Irms (A)Typ	Marking
BPDR000808302R5 \square 00	2.5	30	100	0.0156	4.5	6.4	2R5
BPDR000808303R3 \square 00	3.3	20,30	100	0.0182	4.0	6.0	3R3
BPDR000808303R6 \square 00	3.6	20,30	100	0.0240	3.8	4.6	3R6
BPDR000808304R7 \square 00	4.7	20,30	100	0.0247	3.4	4.5	4R7
BPDR000808307R3 \square 00	7.3	30	100	0.039	2.8	3.4	7R3
BPDR00080830100 \square 00	10	20,30	100	0.047	2.5	3.2	100
BPDR00080830150 \square 00	15	20,30	100	0.069	1.9	2.35	150
BPDR00080830220 \square 00	22	20,30	100	0.099	1.6	1.85	220
BPDR00080830330 \square 00	33	20,30	100	0.156	1.3	1.45	330
BPDR00080830470 \square 00	47	20,30	100	0.195	1.15	1.30	470
BPDR00080830680 \square 00	68	20,30	100	0.286	0.92	0.98	680
BPDR00080830101 \square 00	100	20,30	100	0.430	0.75	0.80	101

Note: When ordering, please specify tolerance code. Tolerance: M= \pm 20% , T= \pm 30%

- Operating temperature range - 40°C ~ 125°C(Including self - temperature rise)
- Isat for Inductance drop 35% from its value without current
- Irms for a 40°C temperature rise from 25°C ambient with current
- Rated DC Current : The less value which is Isat or Irms

SMD Shielded Power Inductors – BPDR Series

Standard Specifications

Part Number	Inductance (μ H)	Tolerance (\pm %)	Test Frequency (kHz)	RDC (Ω)Max	Isat (A)Max	Irms (A)Typ	Marking
BPDR000808401R8□00	1.8	30	100	0.0156	7.0	6.8	1R8
BPDR000808402R5□00	2.5	30	100	0.0175	6.5	6.0	2R5
BPDR000808403R5□00	3.5	30	100	0.024	5.0	5.2	3R5
BPDR000808404R7□00	4.7	20,30	100	0.029	4.6	4.4	4R7
BPDR000808406R0□00	6.0	20,30	100	0.032	4.2	4.0	6R0
BPDR00080840100□00	10	20,30	100	0.048	3.0	3.2	100
BPDR00080840150□00	15	20,30	100	0.067	2.75	2.5	150
BPDR00080840220□00	22	20,30	100	0.105	2.3	2.0	220
BPDR00080840330□00	33	20,30	100	0.157	1.75	1.6	330
BPDR00080840390□00	39	20,30	100	0.173	1.65	1.51	390
BPDR00080840470□00	47	20,30	100	0.189	1.52	1.42	470
BPDR00080840680□00	68	20,30	100	0.29	1.3	1.08	680
BPDR00080840101□00	100	20,30	100	0.41	1.05	0.88	101

Note: When ordering, please specify tolerance code. Tolerance: M= \pm 20% , T= \pm 30%

- Operating temperature range - 40°C ~ 125°C(Including self - temperature rise)
- Isat for Inductance drop 35% from its value without current
- Irms for a 40°C temperature rise from 25°C ambient with current
- Rated DC Current : The less value which is Isat or Irms

SMD Shielded Power Inductors – BPDR Series

Standard Specifications

Part Number	Inductance (μ H)	Tolerance (\pm %)	Test Frequency (kHz)	RDC (Ω)Max	Isat (A)Max	Irms (A)Typ	Marking
BPDR000808451R0 \square 00	1.0	30	100	0.0122	8.0	6.2	1R0
BPDR000808451R2 \square 00	1.2	30	100	0.0122	8.0	6.2	1R2
BPDR000808452R0 \square 00	2.0	30	100	0.014	7.0	5.5	2R0
BPDR000808452R2 \square 00	2.2	30	100	0.016	6.8	5.0	2R2
BPDR000808453R6 \square 00	3.6	20,30	100	0.019	5.9	4.5	3R3
BPDR000808453R9 \square 00	3.9	30	100	0.019	5.9	4.5	3R9
BPDR000808454R7 \square 00	4.7	20,30	100	0.022	5.6	4.1	4R7
BPDR000808456R8 \square 00	6.8	20,30	100	0.025	4.4	3.9	6R8
BPDR000808458R2 \square 00	8.2	20,30	100	0.033	4.2	3.6	8R2
BPDR00080845100 \square 00	10	20,30	100	0.036	4.0	3.2	100
BPDR00080845150 \square 00	15	20,30	100	0.062	2.9	2.3	150
BPDR00080845220 \square 00	22	20,30	100	0.075	2.6	1.8	220
BPDR00080845330 \square 00	33	20,30	100	0.125	2.2	1.4	330
BPDR00080845470 \square 00	47	20,30	100	0.150	1.8	1.3	470
BPDR00080845560 \square 00	56	20,30	100	0.225	1.65	1.2	560
BPDR00080845680 \square 00	68	20,30	100	0.240	1.5	1.0	680
BPDR00080845101 \square 00	100	20,30	100	0.360	1.3	0.8	101
BPDR00080845121 \square 00	120	20,30	100	0.51	1.0	0.7	121
BPDR00080845221 \square 00	220	20,30	100	1.00	0.6	0.6	221

Note: When ordering, please specify tolerance code. Tolerance: M= \pm 20% , T= \pm 30%

- Operating temperature range - 40°C ~ 125°C(Including self - temperature rise)
- Isat for Inductance drop 35% from its value without current
- I rms for a 40°C temperature rise from 25°C ambient with current
- Rated DC Current : The less value which is Isat or I rms

SMD Shielded Power Inductors – BPDS Series

Standard Specifications

Part Number	Inductance (μ H)	Tolerance (\pm %)	Test Frequency (kHz)	RDC (Ω)Max	Isat (A)Max	Irms (A)Typ	Marking
BPDS000303161R5 \square 00	1.5	30	100	0.063	1.80	2.0	1R5
BPDS000303161R8 \square 00	1.8	30	100	0.075	1.65	1.8	1R8
BPDS000303162R2 \square 00	2.2	20,25,30	100	0.094	1.50	1.6	2R2
BPDS000303162R7 \square 00	2.7	20,30	100	0.106	1.35	1.4	2R7
BPDS000303163R3 \square 00	3.3	30	100	0.125	1.2	1.24	3R3
BPDS000303163R9 \square 00	3.9	30	100	0.138	1.1	1.12	3R9
BPDS000303164R7 \square 00	4.7	20,30	100	0.169	1.0	1.00	4R7
BPDS000303165R6 \square 00	5.6	20,30	100	0.188	0.95	0.98	5R6
BPDS000303166R8 \square 00	6.8	30	100	0.213	0.85	0.92	6R8
BPDS000303168R2 \square 00	8.2	30	100	0.281	0.80	0.80	8R2
BPDS00030316100 \square 00	10	20,30	100	0.294	0.70	0.76	100
BPDS00030316120 \square 00	12	20,30	100	0.394	0.62	0.64	120
BPDS00030316220 \square 00	22	20,30	100	0.65	0.30	0.30	220
BPDS00030316330 \square 00	33	20,30	100	1.00	0.24	0.24	330
BPDS00030316470 \square 00	47	20,30	100	1.25	0.20	0.20	470
BPDS00030316101 \square 00	100	20,30	100	2.40	0.12	0.12	101

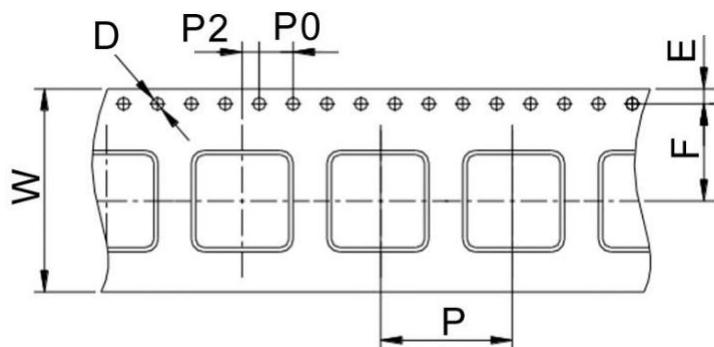
Note: When ordering, please specify tolerance code. Tolerance: M= \pm 20% , Y= \pm 25% , T= \pm 30%

- Operating temperature range - 40°C ~ 125°C(Including self - temperature rise)
- Isat for Inductance drop 35% from its value without current
- I rms for a 40°C temperature rise from 25°C ambient with current
- Rated DC Current : The less value which is Isat or I rms

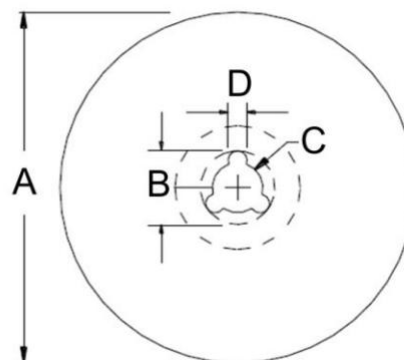
SMD Shielded Power Inductors – BPDx Series

Packaging Specifications

Tape Dimensions



Reel Dimensions



Dimensions in mm

TYPE	Tape Dimensions							Reel Dimensions				Quantity PCS / Reel
	W	D	E	F	P	P0	P2	A	B	C	D	
BPDC00030310	12	1.5	1.75	5.5	8	4	2	178	20	13	2	1000
BPDx00030312	12	1.5	1.75	5.5	8	4	2	178	20	13	2	1000
BPDS00030316	12	1.5	1.75	5.5	8	4	2	178	20	13	2	1000
BPDx00030320	12	1.5	1.75	5.5	8	4	2	178	20	13	2	1000
BPDH00040412	12	1.5	1.75	5.5	8	4	2	178	20	13	2	1000
BPDx00040415	12	1.5	1.75	5.5	8	4	2	330	20	13	2	3500
BPDR00040416	12	1.5	1.75	5.5	8	4	2	330	20	13	2	3500
BPDH00040418	12	1.5	1.75	5.5	8	4	2	330	20	13	2	3500
BPDN00040423	12	1.5	1.75	5.5	8	4	2	330	20	13	2	2500
BPDN00040430	12	1.5	1.75	5.5	8	4	2	330	20	13	2	2000
BPDx00050520	12	1.5	1.75	5.5	8	4	2	330	20	13	2	2000
BPDx00050530	12	1.5	1.75	5.5	8	4	2	330	20	13	2	2000
BPDH00060618	12	1.5	1.75	5.5	8	4	2	330	20	13	2	2000
BPDR00060620	12	1.5	1.75	5.5	8	4	2	330	20	13	2	2000
BPDR00060630	12	1.5	1.75	5.5	8	4	2	330	20	13	2	2000
BPDR00060655	16	1.5	1.75	7.5	12	4	2	330	20	13	2	900
BPDx00070730	16	1.5	1.75	7.5	12	4	2	330	20	13	2	1000
BPDR00070740	16	1.5	1.75	7.5	12	4	2	330	20	13	2	1000
BPDR00080830	16	1.5	1.75	7.5	12	4	2	330	20	13	2	1000
BPDR00080840	16	1.5	1.75	7.5	16	4	2	330	20	13	2	900
BPDR00080845	16	1.5	1.75	7.5	16	4	2	330	20	13	2	900