

⚠ 已经结束在日本国内的销售。

径向引线型

NHG 系列 A 型



特 点

- 保证时间：105 °C 1000 ~ 2000 小时
- 符合 AEC-Q200 (6.3 V ~ 100 V)
- 已应对RoHS指令

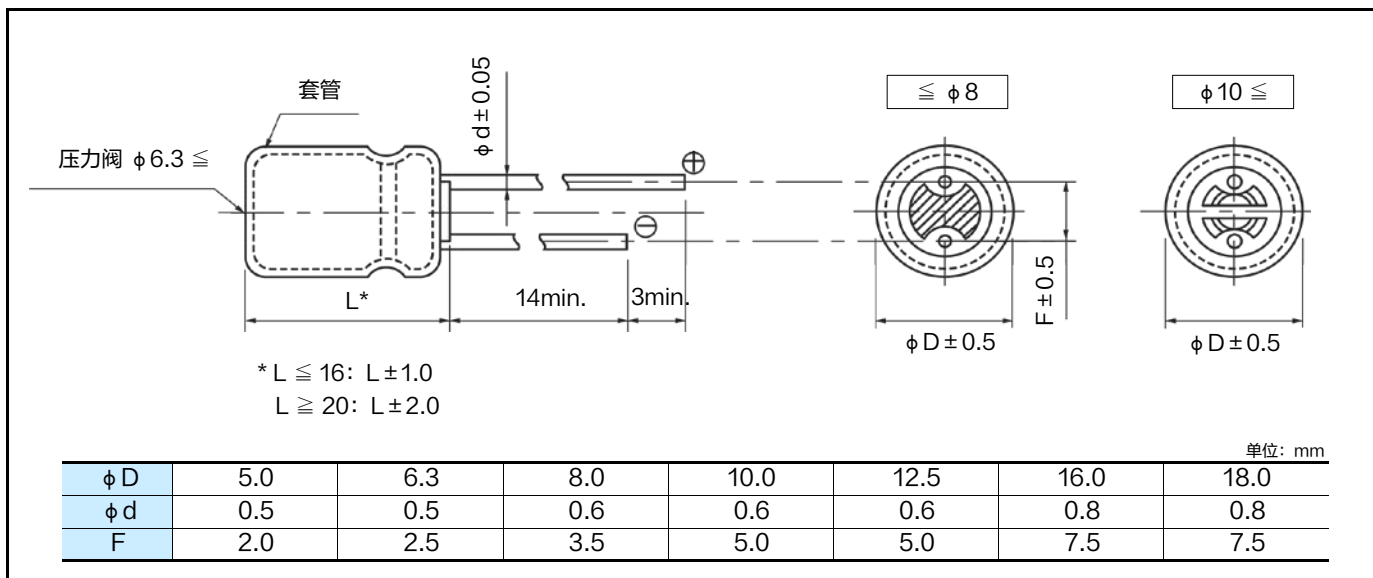
规 格

|                |  |                                     |
|----------------|--|-------------------------------------|
| 类别温度范围         | -55 °C ~ +105 °C   | -25 °C ~ +105 °C                    |
| 额定电压范围         | 6.3 V ~ 100 V  | 160 V ~ 450 V                       |
| 静电容量范围         | 2.2 μF ~ 22000 μF  | 2.2 μF ~ 330 μF                     |
| 静电容量容差         | ± 20 % (120 Hz / +20 °C)   |                                     |
| 漏电流            | $I \leq 0.01 CV$ 或 $3 (\mu A)$ 2 分后值<br>(任一大值以下)   | $I \leq 0.06 CV + 10 (\mu A)$ 2 分后值 |
| 损耗角的正切 (tan δ) | 请参考特性一览表   |                                     |
| 耐久性            | 在 +105 °C ± 2 °C 的条件下，不超过额定电压的范围内，叠加规定的额定纹波电流（附表），对电容施加工作电压下述时间后，恢复至标准气候测量，并满足下列条件。<br>6.3 V ~ 100 V (φ5 ~ φ8) : 1000 小时, (φ10 ~ φ18) : 2000 小时<br>160 V ~ 450 V : 2000 小时 |                                     |
|                | 静电容量变化   | 初始值 ± 20 % 以内                       |
|                | 损耗角的正切 (tan δ)   | 不大于初始标准值的 200 %                     |
|                | 漏电流  | 不大于初始标准值                            |
| 高温无负载特性        | 将电容无负载放置于 +105 °C ± 2 °C 条件下 1000 小时后，恢复至标准气候测量，并满足上述耐久性条件。（但须电压处理）  |                                     |

额定纹波电流 频率修正系数

| 额定电压 (V)  | 静电容量 (μF)    | 频率 (Hz) |      |      |      |       |
|-----------|--------------|---------|------|------|------|-------|
|           |              | 60      | 120  | 1 k  | 10 k | 100 k |
| 6.3 ~ 100 | 2.2 ~ 33     | 0.75    | 1.00 | 1.55 | 1.80 | 2.00  |
|           | 47 ~ 470     | 0.80    | 1.00 | 1.35 | 1.50 | 1.50  |
|           | 1000 ~ 22000 | 0.85    | 1.00 | 1.10 | 1.15 | 1.15  |
| 160 ~ 450 | 2.2 ~ 330    | 0.80    | 1.00 | 1.35 | 1.50 | 1.50  |

外 观 尺 寸



## 特性一览表

耐久性: 105 °C 1000 ~ 2000 小时

| 额定电压 (V) | 静电容量 (±20%) (μF) | 产品尺寸 (mm) |      | 特性                            |                     |          | 引线尺寸 (mm) |      |         | 型号         | 最少包装数量 (PCS)  |         |         |
|----------|------------------|-----------|------|-------------------------------|---------------------|----------|-----------|------|---------|------------|---------------|---------|---------|
|          |                  | φD        | L    | 额定纹波电流 <sup>*1</sup> (mA rms) | tan δ <sup>*2</sup> | 耐久性 (时间) | 引线直径 (φd) | 引线间距 |         |            | 长引线           | 带状包装 *B | 带状包装 *i |
|          |                  |           |      |                               |                     |          |           | 长引线  | 带状包装 *B |            |               |         |         |
| 6.3      | 100              | 5.0       | 11.0 | 91                            | 0.28                | 1000     | 0.5       | 2.0  | 5.0     | 2.5        | ECA0JHG101( ) | 200     | 2000    |
|          | 220              | 5.0       | 11.0 | 140                           | 0.28                | 1000     | 0.5       | 2.0  | 5.0     | 2.5        | ECA0JHG221( ) | 200     | 2000    |
|          | 470              | 6.3       | 11.2 | 230                           | 0.28                | 1000     | 0.5       | 2.5  | 5.0     | 2.5        | ECA0JHG471( ) | 200     | 2000    |
|          | 1000             | 8.0       | 11.5 | 380                           | 0.28                | 1000     | 0.6       | 3.5  | 5.0     | —          | ECA0JHG102( ) | 200     | 1000    |
|          | 2200             | 10.0      | 16.0 | 710                           | 0.30                | 2000     | 0.6       | 5.0  | 5.0     | —          | ECA0JHG222( ) | 200     | 500     |
|          | 3300             | 10.0      | 20.0 | 840                           | 0.32                | 2000     | 0.6       | 5.0  | 5.0     | —          | ECA0JHG332( ) | 200     | 500     |
|          | 4700             | 12.5      | 20.0 | 1090                          | 0.34                | 2000     | 0.6       | 5.0  | 5.0     | —          | ECA0JHG472( ) | 200     | 500     |
|          | 6800             | 12.5      | 25.0 | 1350                          | 0.38                | 2000     | 0.6       | 5.0  | 5.0     | —          | ECA0JHG682( ) | 200     | 500     |
|          | 10000            | 16.0      | 25.0 | 1650                          | 0.46                | 2000     | 0.8       | 7.5  | 7.5     | —          | ECA0JHG103( ) | 100     | 250     |
|          | 15000            | 16.0      | 31.5 | 2010                          | 0.56                | 2000     | 0.8       | 7.5  | —       | —          | ECA0JHG153    | 100     | —       |
| 22000    | 18.0             | 35.5      | 2350 | 0.70                          | 2000                | 0.8      | 7.5       | —    | —       | ECA0JHG223 | 50            | —       |         |
| 10       | 330              | 6.3       | 11.2 | 200                           | 0.24                | 1000     | 0.5       | 2.5  | 5.0     | 2.5        | ECA1AHG331( ) | 200     | 2000    |
|          | 470              | 8.0       | 11.5 | 250                           | 0.24                | 1000     | 0.6       | 3.5  | 5.0     | —          | ECA1AHG471( ) | 200     | 1000    |
|          | 1000             | 10.0      | 12.5 | 460                           | 0.24                | 2000     | 0.6       | 5.0  | 5.0     | —          | ECA1AHG102( ) | 200     | 500     |
|          | 2200             | 10.0      | 20.0 | 760                           | 0.26                | 2000     | 0.6       | 5.0  | 5.0     | —          | ECA1AHG222( ) | 200     | 500     |
|          | 3300             | 12.5      | 20.0 | 1000                          | 0.28                | 2000     | 0.6       | 5.0  | 5.0     | —          | ECA1AHG332( ) | 200     | 500     |
|          | 4700             | 12.5      | 25.0 | 1260                          | 0.30                | 2000     | 0.6       | 5.0  | 5.0     | —          | ECA1AHG472( ) | 200     | 500     |
|          | 6800             | 16.0      | 25.0 | 1570                          | 0.34                | 2000     | 0.8       | 7.5  | 7.5     | —          | ECA1AHG682( ) | 100     | 250     |
|          | 10000            | 16.0      | 31.5 | 1890                          | 0.42                | 2000     | 0.8       | 7.5  | —       | —          | ECA1AHG103    | 100     | —       |
| 15000    | 18.0             | 35.5      | 2180 | 0.52                          | 2000                | 0.8      | 7.5       | —    | —       | ECA1AHG153 | 50            | —       |         |
| 16       | 100              | 5.0       | 11.0 | 110                           | 0.20                | 1000     | 0.5       | 2.0  | 5.0     | 2.5        | ECA1CHG101( ) | 200     | 2000    |
|          | 220              | 6.3       | 11.2 | 180                           | 0.20                | 1000     | 0.5       | 2.5  | 5.0     | 2.5        | ECA1CHG221( ) | 200     | 2000    |
|          | 330              | 8.0       | 11.5 | 260                           | 0.20                | 1000     | 0.6       | 3.5  | 5.0     | —          | ECA1CHG331( ) | 200     | 1000    |
|          | 470              | 8.0       | 11.5 | 310                           | 0.20                | 1000     | 0.6       | 3.5  | 5.0     | —          | ECA1CHG471( ) | 200     | 1000    |
|          | 1000             | 10.0      | 16.0 | 560                           | 0.20                | 2000     | 0.6       | 5.0  | 5.0     | —          | ECA1CHG102( ) | 200     | 500     |
|          | 2200             | 12.5      | 20.0 | 920                           | 0.22                | 2000     | 0.6       | 5.0  | 5.0     | —          | ECA1CHG222( ) | 200     | 500     |
|          | 3300             | 12.5      | 25.0 | 1170                          | 0.24                | 2000     | 0.6       | 5.0  | 5.0     | —          | ECA1CHG332( ) | 200     | 500     |
|          | 4700             | 16.0      | 25.0 | 1480                          | 0.26                | 2000     | 0.8       | 7.5  | 7.5     | —          | ECA1CHG472( ) | 100     | 250     |
|          | 6800             | 16.0      | 31.5 | 1780                          | 0.30                | 2000     | 0.8       | 7.5  | —       | —          | ECA1CHG682    | 100     | —       |
|          | 10000            | 18.0      | 35.5 | 2060                          | 0.38                | 2000     | 0.8       | 7.5  | —       | —          | ECA1CHG103    | 50      | —       |
| 25       | 47               | 5.0       | 11.0 | 91                            | 0.16                | 1000     | 0.5       | 2.0  | 5.0     | 2.5        | ECA1EHG470( ) | 200     | 2000    |
|          | 100              | 6.3       | 11.2 | 130                           | 0.16                | 1000     | 0.5       | 2.5  | 5.0     | 2.5        | ECA1EHG101( ) | 200     | 2000    |
|          | 220              | 8.0       | 11.5 | 230                           | 0.16                | 1000     | 0.6       | 3.5  | 5.0     | —          | ECA1EHG221( ) | 200     | 1000    |
|          | 330              | 8.0       | 11.5 | 310                           | 0.16                | 1000     | 0.6       | 3.5  | 5.0     | —          | ECA1EHG331( ) | 200     | 1000    |
|          | 470              | 10.0      | 12.5 | 380                           | 0.16                | 2000     | 0.6       | 5.0  | 5.0     | —          | ECA1EHG471( ) | 200     | 500     |
|          | 1000             | 10.0      | 20.0 | 680                           | 0.16                | 2000     | 0.6       | 5.0  | 5.0     | —          | ECA1EHG102( ) | 200     | 500     |
|          | 2200             | 12.5      | 25.0 | 1090                          | 0.18                | 2000     | 0.6       | 5.0  | 5.0     | —          | ECA1EHG222( ) | 200     | 500     |
|          | 3300             | 16.0      | 25.0 | 1400                          | 0.20                | 2000     | 0.8       | 7.5  | 7.5     | —          | ECA1EHG332( ) | 100     | 250     |
|          | 4700             | 16.0      | 31.5 | 1750                          | 0.22                | 2000     | 0.8       | 7.5  | —       | —          | ECA1EHG472    | 100     | —       |
|          | 6800             | 18.0      | 35.5 | 2040                          | 0.26                | 2000     | 0.8       | 7.5  | —       | —          | ECA1EHG682    | 50      | —       |
| 35       | 47               | 5.0       | 11.0 | 90                            | 0.14                | 1000     | 0.5       | 2.0  | 5.0     | 2.5        | ECA1VHG470( ) | 200     | 2000    |
|          | 100              | 6.3       | 11.2 | 150                           | 0.14                | 1000     | 0.5       | 2.5  | 5.0     | 2.5        | ECA1VHG101( ) | 200     | 2000    |
|          | 220              | 8.0       | 11.5 | 270                           | 0.14                | 1000     | 0.6       | 3.5  | 5.0     | —          | ECA1VHG221( ) | 200     | 1000    |
|          | 330              | 10.0      | 12.5 | 350                           | 0.14                | 2000     | 0.6       | 5.0  | 5.0     | —          | ECA1VHG331( ) | 200     | 500     |
|          | 470              | 10.0      | 16.0 | 460                           | 0.14                | 2000     | 0.6       | 5.0  | 5.0     | —          | ECA1VHG471( ) | 200     | 500     |
|          | 1000             | 12.5      | 20.0 | 810                           | 0.14                | 2000     | 0.6       | 5.0  | 5.0     | —          | ECA1VHG102( ) | 200     | 500     |
|          | 2200             | 16.0      | 25.0 | 1260                          | 0.16                | 2000     | 0.8       | 7.5  | 7.5     | —          | ECA1VHG222( ) | 100     | 250     |
|          | 3300             | 16.0      | 31.5 | 1610                          | 0.18                | 2000     | 0.8       | 7.5  | —       | —          | ECA1VHG332    | 100     | —       |
| 4700     | 18.0             | 35.5      | 1910 | 0.20                          | 2000                | 0.8      | 7.5       | —    | —       | ECA1VHG472 | 50            | —       |         |

\*1: 额定纹波电流 (120 Hz / +105 °C)

\*2: tan δ (120 Hz / +20 °C)

·带状包装产品如有需要在末尾的( )内填入B 或 i。引线间距 \*B=5 mm, 7.5 mm, i=2.5 mm

·带状包装产品外观尺寸请参照给那个项目

## 特性一览表

耐久性: 105 °C 1000 ~ 2000 小时

| 额定电压 (V) | 静电容量 (±20%) (μF) | 产品尺寸 (mm) |      | 特性                            |                     |          | 引线尺寸 (mm) |      |         | 型号         | 最少包装数量 (PCS)  |         |         |
|----------|------------------|-----------|------|-------------------------------|---------------------|----------|-----------|------|---------|------------|---------------|---------|---------|
|          |                  | φD        | L    | 额定纹波电流 <sup>*1</sup> (mA rms) | tan δ <sup>*2</sup> | 耐久性 (时间) | 引线直径 (φd) | 引线间距 |         |            | 长引线           | 带状包装 *B | 带状包装 *i |
|          |                  |           |      |                               |                     |          |           | 长引线  | 带状包装 *B |            |               |         |         |
| 50       | 2.2              | 5.0       | 11.0 | 18                            | 0.12                | 1000     | 0.5       | 2.0  | 5.0     | 2.5        | ECA1HHG2R2( ) | 200     | 2000    |
|          | 3.3              | 5.0       | 11.0 | 22                            | 0.12                | 1000     | 0.5       | 2.0  | 5.0     | 2.5        | ECA1HHG3R3( ) | 200     | 2000    |
|          | 4.7              | 5.0       | 11.0 | 26                            | 0.12                | 1000     | 0.5       | 2.0  | 5.0     | 2.5        | ECA1HHG4R7( ) | 200     | 2000    |
|          | 10               | 5.0       | 11.0 | 39                            | 0.12                | 1000     | 0.5       | 2.0  | 5.0     | 2.5        | ECA1HHG100( ) | 200     | 2000    |
|          | 22               | 5.0       | 11.0 | 65                            | 0.12                | 1000     | 0.5       | 2.0  | 5.0     | 2.5        | ECA1HHG220( ) | 200     | 2000    |
|          | 33               | 5.0       | 11.0 | 90                            | 0.12                | 1000     | 0.5       | 2.0  | 5.0     | 2.5        | ECA1HHG330( ) | 200     | 2000    |
|          | 47               | 6.3       | 11.2 | 110                           | 0.12                | 1000     | 0.5       | 2.5  | 5.0     | 2.5        | ECA1HHG470( ) | 200     | 2000    |
|          | 100              | 8.0       | 11.5 | 180                           | 0.12                | 1000     | 0.6       | 3.5  | 5.0     | —          | ECA1HHG101( ) | 200     | 1000    |
|          | 220              | 10.0      | 12.5 | 300                           | 0.12                | 2000     | 0.6       | 5.0  | 5.0     | —          | ECA1HHG221( ) | 200     | 500     |
|          | 330              | 10.0      | 16.0 | 410                           | 0.12                | 2000     | 0.6       | 5.0  | 5.0     | —          | ECA1HHG331( ) | 200     | 500     |
|          | 470              | 10.0      | 20.0 | 530                           | 0.12                | 2000     | 0.6       | 5.0  | 5.0     | —          | ECA1HHG471( ) | 200     | 500     |
|          | 1000             | 12.5      | 25.0 | 950                           | 0.12                | 2000     | 0.6       | 5.0  | 5.0     | —          | ECA1HHG102( ) | 200     | 500     |
|          | 2200             | 16.0      | 31.5 | 1470                          | 0.14                | 2000     | 0.8       | 7.5  | —       | —          | ECA1HHG222    | 100     | —       |
| 3300     | 18.0             | 35.5      | 1770 | 0.16                          | 2000                | 0.8      | 7.5       | —    | —       | ECA1HHG332 | 50            | —       |         |
| 63       | 10               | 5.0       | 11.0 | 46                            | 0.10                | 1000     | 0.5       | 2.0  | 5.0     | 2.5        | ECA1JHG100( ) | 200     | 2000    |
|          | 22               | 5.0       | 11.0 | 71                            | 0.10                | 1000     | 0.5       | 2.0  | 5.0     | 2.5        | ECA1JHG220( ) | 200     | 2000    |
|          | 33               | 6.3       | 11.2 | 100                           | 0.10                | 1000     | 0.5       | 2.5  | 5.0     | 2.5        | ECA1JHG330( ) | 200     | 2000    |
|          | 47               | 6.3       | 11.2 | 120                           | 0.10                | 1000     | 0.5       | 2.5  | 5.0     | 2.5        | ECA1JHG470( ) | 200     | 2000    |
|          | 100              | 10.0      | 12.5 | 215                           | 0.10                | 2000     | 0.6       | 5.0  | 5.0     | —          | ECA1JHG101( ) | 200     | 500     |
|          | 220              | 10.0      | 16.0 | 335                           | 0.10                | 2000     | 0.6       | 5.0  | 5.0     | —          | ECA1JHG221( ) | 200     | 500     |
|          | 330              | 10.0      | 20.0 | 510                           | 0.10                | 2000     | 0.6       | 5.0  | 5.0     | —          | ECA1JHG331( ) | 200     | 500     |
|          | 470              | 12.5      | 20.0 | 640                           | 0.10                | 2000     | 0.6       | 5.0  | 5.0     | —          | ECA1JHG471( ) | 200     | 500     |
|          | 1000             | 16.0      | 25.0 | 930                           | 0.10                | 2000     | 0.8       | 7.5  | 7.5     | —          | ECA1JHG102( ) | 100     | 250     |
| 2200     | 18.0             | 35.5      | 1610 | 0.12                          | 2000                | 0.8      | 7.5       | —    | —       | ECA1JHG222 | 50            | —       |         |
| 100      | 2.2              | 5.0       | 11.0 | 21                            | 0.08                | 1000     | 0.5       | 2.0  | 5.0     | 2.5        | ECA2AHG2R2( ) | 200     | 2000    |
|          | 3.3              | 5.0       | 11.0 | 31                            | 0.08                | 1000     | 0.5       | 2.0  | 5.0     | 2.5        | ECA2AHG3R3( ) | 200     | 2000    |
|          | 4.7              | 5.0       | 11.0 | 38                            | 0.08                | 1000     | 0.5       | 2.0  | 5.0     | 2.5        | ECA2AHG4R7( ) | 200     | 2000    |
|          | 10               | 6.3       | 11.2 | 54                            | 0.08                | 1000     | 0.5       | 2.5  | 5.0     | 2.5        | ECA2AHG100( ) | 200     | 2000    |
|          | 22               | 6.3       | 11.2 | 93                            | 0.08                | 1000     | 0.5       | 2.5  | 5.0     | 2.5        | ECA2AHG220( ) | 200     | 2000    |
|          | 33               | 8.0       | 11.5 | 130                           | 0.08                | 1000     | 0.6       | 3.5  | 5.0     | —          | ECA2AHG330( ) | 200     | 1000    |
|          | 47               | 10.0      | 12.5 | 165                           | 0.08                | 2000     | 0.6       | 5.0  | 5.0     | —          | ECA2AHG470( ) | 200     | 500     |
|          | 100              | 10.0      | 20.0 | 265                           | 0.08                | 2000     | 0.6       | 5.0  | 5.0     | —          | ECA2AHG101( ) | 200     | 500     |
|          | 220              | 12.5      | 25.0 | 440                           | 0.08                | 2000     | 0.6       | 5.0  | 5.0     | —          | ECA2AHG221( ) | 200     | 500     |
|          | 330              | 16.0      | 25.0 | 540                           | 0.08                | 2000     | 0.8       | 7.5  | 7.5     | —          | ECA2AHG331( ) | 100     | 250     |
|          | 470              | 16.0      | 25.0 | 715                           | 0.08                | 2000     | 0.8       | 7.5  | 7.5     | —          | ECA2AHG471( ) | 100     | 250     |
| 1000     | 18.0             | 35.5      | 985  | 0.08                          | 2000                | 0.8      | 7.5       | —    | —       | ECA2AHG102 | 50            | —       |         |

\*1: 额定纹波电流 (120 Hz / +105 °C)

\*2: tan δ (120 Hz / +20 °C)

·带状包装产品如有需要在末尾的( )内填入B 或 i。引线间距 \*B=5 mm, 7.5 mm, i=2.5 mm

·带状包装产品外观尺寸请参照给那个项目

## 特性一览表

耐久性: 105 °C 2000 小时

| 额定电压 (V) | 静电容量 (±20%) (μF) | 产品尺寸 (mm) |      | 特性                            |                     |          | 引线尺寸 (mm) |      |         | 型号         | 最少包装数量 (PCS)  |      |         |
|----------|------------------|-----------|------|-------------------------------|---------------------|----------|-----------|------|---------|------------|---------------|------|---------|
|          |                  | φD        | L    | 额定纹波电流 <sup>*1</sup> (mA rms) | tan δ <sup>*2</sup> | 耐久性 (时间) | 引线直径 (φd) | 引线间距 |         |            | 长引线           | 带状包装 |         |
|          |                  |           |      |                               |                     |          |           | 长引线  | 带状包装 *B |            |               |      | 带状包装 *i |
| 160      | 2.2              | 6.3       | 11.2 | 25                            | 0.15                | 2000     | 0.5       | 2.5  | 5.0     | 2.5        | ECA2CHG2R2( ) | 200  | 2000    |
|          | 3.3              | 6.3       | 11.2 | 36                            | 0.15                | 2000     | 0.5       | 2.5  | 5.0     | 2.5        | ECA2CHG3R3( ) | 200  | 2000    |
|          | 4.7              | 6.3       | 11.2 | 43                            | 0.15                | 2000     | 0.5       | 2.5  | 5.0     | 2.5        | ECA2CHG4R7( ) | 200  | 2000    |
|          | 10               | 10.0      | 12.5 | 70                            | 0.15                | 2000     | 0.6       | 5.0  | 5.0     | —          | ECA2CHG100( ) | 200  | 500     |
|          | 22               | 10.0      | 20.0 | 130                           | 0.15                | 2000     | 0.6       | 5.0  | 5.0     | —          | ECA2CHG220( ) | 200  | 500     |
|          | 33               | 10.0      | 20.0 | 180                           | 0.15                | 2000     | 0.6       | 5.0  | 5.0     | —          | ECA2CHG330( ) | 200  | 500     |
|          | 47               | 12.5      | 20.0 | 220                           | 0.15                | 2000     | 0.6       | 5.0  | 5.0     | —          | ECA2CHG470( ) | 200  | 500     |
|          | 100              | 16.0      | 25.0 | 335                           | 0.15                | 2000     | 0.8       | 7.5  | 7.5     | —          | ECA2CHG101( ) | 100  | 250     |
|          | 220              | 16.0      | 31.5 | 540                           | 0.15                | 2000     | 0.8       | 7.5  | —       | —          | ECA2CHG221    | 100  | —       |
| 330      | 18.0             | 31.5      | 705  | 0.15                          | 2000                | 0.8      | 7.5       | —    | —       | ECA2CHG331 | 50            | —    |         |
| 200      | 2.2              | 6.3       | 11.2 | 25                            | 0.15                | 2000     | 0.5       | 2.5  | 5.0     | 2.5        | ECA2DHG2R2( ) | 200  | 2000    |
|          | 3.3              | 6.3       | 11.2 | 36                            | 0.15                | 2000     | 0.5       | 2.5  | 5.0     | 2.5        | ECA2DHG3R3( ) | 200  | 2000    |
|          | 4.7              | 8.0       | 11.5 | 50                            | 0.15                | 2000     | 0.6       | 3.5  | 5.0     | —          | ECA2DHG4R7( ) | 200  | 1000    |
|          | 10               | 10.0      | 16.0 | 80                            | 0.15                | 2000     | 0.6       | 5.0  | 5.0     | —          | ECA2DHG100( ) | 200  | 500     |
|          | 22               | 10.0      | 20.0 | 140                           | 0.15                | 2000     | 0.6       | 5.0  | 5.0     | —          | ECA2DHG220( ) | 200  | 500     |
|          | 33               | 12.5      | 20.0 | 190                           | 0.15                | 2000     | 0.6       | 5.0  | 5.0     | —          | ECA2DHG330( ) | 200  | 500     |
|          | 47               | 12.5      | 20.0 | 220                           | 0.15                | 2000     | 0.6       | 5.0  | 5.0     | —          | ECA2DHG470( ) | 200  | 500     |
|          | 100              | 16.0      | 25.0 | 335                           | 0.15                | 2000     | 0.8       | 7.5  | 7.5     | —          | ECA2DHG101( ) | 100  | 250     |
| 220      | 18.0             | 31.5      | 575  | 0.15                          | 2000                | 0.8      | 7.5       | —    | —       | ECA2DHG221 | 50            | —    |         |
| 250      | 2.2              | 6.3       | 11.2 | 29                            | 0.15                | 2000     | 0.5       | 2.5  | 5.0     | 2.5        | ECA2EHG2R2( ) | 200  | 2000    |
|          | 3.3              | 8.0       | 11.5 | 42                            | 0.15                | 2000     | 0.6       | 3.5  | 5.0     | —          | ECA2EHG3R3    | 200  | 1000    |
|          | 4.7              | 8.0       | 11.5 | 50                            | 0.15                | 2000     | 0.6       | 3.5  | 5.0     | —          | ECA2EHG4R7( ) | 200  | 1000    |
|          | 10               | 10.0      | 16.0 | 88                            | 0.15                | 2000     | 0.6       | 5.0  | 5.0     | —          | ECA2EHG100( ) | 200  | 500     |
|          | 22               | 12.5      | 20.0 | 155                           | 0.15                | 2000     | 0.6       | 5.0  | 5.0     | —          | ECA2EHG220( ) | 200  | 500     |
|          | 33               | 12.5      | 20.0 | 190                           | 0.15                | 2000     | 0.6       | 5.0  | 5.0     | —          | ECA2EHG330( ) | 200  | 500     |
|          | 47               | 12.5      | 25.0 | 230                           | 0.15                | 2000     | 0.6       | 5.0  | 5.0     | —          | ECA2EHG470( ) | 200  | 500     |
| 100      | 16.0             | 31.5      | 365  | 0.15                          | 2000                | 0.8      | 7.5       | —    | —       | ECA2EHG101 | 100           | —    |         |
| 350      | 2.2              | 8.0       | 11.5 | 31                            | 0.20                | 2000     | 0.6       | 3.5  | 5.0     | —          | ECA2VHG2R2( ) | 200  | 1000    |
|          | 3.3              | 10.0      | 12.5 | 38                            | 0.20                | 2000     | 0.6       | 5.0  | 5.0     | —          | ECA2VHG3R3( ) | 200  | 500     |
|          | 4.7              | 10.0      | 16.0 | 50                            | 0.20                | 2000     | 0.6       | 5.0  | 5.0     | —          | ECA2VHG4R7( ) | 200  | 500     |
|          | 10               | 10.0      | 20.0 | 82                            | 0.20                | 2000     | 0.6       | 5.0  | 5.0     | —          | ECA2VHG100( ) | 200  | 500     |
|          | 22               | 12.5      | 20.0 | 130                           | 0.20                | 2000     | 0.6       | 5.0  | 5.0     | —          | ECA2VHG220( ) | 200  | 500     |
|          | 33               | 16.0      | 25.0 | 195                           | 0.20                | 2000     | 0.8       | 7.5  | 7.5     | —          | ECA2VHG330( ) | 100  | 250     |
|          | 47               | 16.0      | 25.0 | 230                           | 0.20                | 2000     | 0.8       | 7.5  | 7.5     | —          | ECA2VHG470( ) | 100  | 250     |
| 100      | 18.0             | 31.5      | 375  | 0.20                          | 2000                | 0.8      | 7.5       | —    | —       | ECA2VHG101 | 50            | —    |         |

\*1: 额定纹波电流 (120 Hz / +105 °C)

\*2: tan δ (120 Hz / +20 °C)

·带状包装产品如有需要请在末尾的( )内填入B 或 i。引线间距 \*B=5 mm, 7.5 mm, i=2.5 mm

·带状包装产品外观尺寸请参照给那个项目

## 特性一览表

耐久性：105℃ 2000 小时

| 额定电压 (V) | 静电容量 (±20%) (μF) | 产品尺寸 (mm) |      | 特性                            |                     |          | 引线尺寸 (mm) |      |         | 型号 | 最少包装数量 (PCS)  |      |         |
|----------|------------------|-----------|------|-------------------------------|---------------------|----------|-----------|------|---------|----|---------------|------|---------|
|          |                  | φD        | L    | 额定纹波电流 <sup>*1</sup> (mA rms) | tan δ <sup>*2</sup> | 耐久性 (时间) | 引线直径 (φd) | 引线间距 |         |    | 长引线           | 带状包装 |         |
|          |                  |           |      |                               |                     |          |           | 长引线  | 带状包装 *B |    |               |      | 带状包装 *i |
| 400      | 2.2              | 8.0       | 11.5 | 30                            | 0.24                | 2000     | 0.6       | 3.5  | 5.0     | —  | ECA2GHG2R2( ) | 200  | 1000    |
|          | 3.3              | 10.0      | 12.5 | 40                            | 0.24                | 2000     | 0.6       | 5.0  | 5.0     | —  | ECA2GHG3R3( ) | 200  | 500     |
|          | 4.7              | 10.0      | 16.0 | 50                            | 0.24                | 2000     | 0.6       | 5.0  | 5.0     | —  | ECA2GHG4R7( ) | 200  | 500     |
|          | 10               | 10.0      | 20.0 | 80                            | 0.24                | 2000     | 0.6       | 5.0  | 5.0     | —  | ECA2GHG100( ) | 200  | 500     |
|          | 22               | 12.5      | 25.0 | 145                           | 0.24                | 2000     | 0.6       | 5.0  | 5.0     | —  | ECA2GHG220( ) | 200  | 500     |
|          | 33               | 16.0      | 25.0 | 195                           | 0.24                | 2000     | 0.8       | 7.5  | 7.5     | —  | ECA2GHG330( ) | 100  | 250     |
|          | 47               | 16.0      | 31.5 | 250                           | 0.24                | 2000     | 0.8       | 7.5  | —       | —  | ECA2GHG470    | 100  | —       |
| 450      | 2.2              | 10.0      | 12.5 | 29                            | 0.24                | 2000     | 0.6       | 5.0  | 5.0     | —  | ECA2WHG2R2( ) | 200  | 500     |
|          | 3.3              | 10.0      | 16.0 | 41                            | 0.24                | 2000     | 0.6       | 5.0  | 5.0     | —  | ECA2WHG3R3( ) | 200  | 500     |
|          | 4.7              | 10.0      | 20.0 | 49                            | 0.24                | 2000     | 0.6       | 5.0  | 5.0     | —  | ECA2WHG4R7( ) | 200  | 500     |
|          | 10               | 12.5      | 20.0 | 75                            | 0.24                | 2000     | 0.6       | 5.0  | 5.0     | —  | ECA2WHG100( ) | 200  | 500     |
|          | 22               | 16.0      | 25.0 | 115                           | 0.24                | 2000     | 0.8       | 7.5  | 7.5     | —  | ECA2WHG220( ) | 100  | 250     |
|          | 33               | 16.0      | 31.5 | 155                           | 0.24                | 2000     | 0.8       | 7.5  | —       | —  | ECA2WHG330    | 100  | —       |

\*1: 额定纹波电流 (120 Hz / +105℃)

\*2: tan δ (120 Hz / +20℃)

·带状包装产品如有需要请在末尾的( )内填入B 或 i。引线间距 \*B=5 mm, 7.5 mm, i=2.5 mm

·带状包装产品外观尺寸请参照给那个项目

## 本网站中记载的本公司商品及技术信息等用户使用时的 要求及注意事项

- 如将本规格书刊上的产品用于特殊质量以及有可靠性要求, 因其故障或误动作有可能会直接威胁生命或对人体造成危害等用途时 (例: 宇宙/航天设备, 运输/交通设备, 燃烧设备, 医疗设备, 防灾/防范设备, 安全装置等), 需要针对该用途进行规格确认, 请务必向弊司担当垂询。
- 本规格书记载了单个零部件的品质和性能。在使用时, 请务必在贴装在贵司产品上并在实际的使用环境下进行评估和确认。
- 无论任何用途, 如需用于高可靠性要求的设备时, 建议在采用保护电路及冗长电路等措施, 保护设备安全的同时, 请顾客进行安全性测试。
- 本规格书刊登的产品及其规格, 为了得到进一步的改进, 完善, 将在没有预告的情况下进行更改, 请予以谅解。为此, 在最终设计, 购买或使用, 无论任何用途, 请事先申请并确认最新, 最详细的产品规格书。
- 本规格书刊登的技术信息中的产品典型动作, 应用电路等示例并不保证没有侵犯本公司或第三方的知识产权, 同时也不意味是对实施权的认可。
- 在出口或向非日本居住者提供本规格书刊登的产品, 产品规格, 技术信息时, 请遵守该国家的相关法律, 尤其是应遵守有关安全保障出口管理方面的法律法规。

## 关于EU RoHS指令 / REACH规定符合确认书

- 对应RoHS指令 / REACH规定的产品切换时期因产品而异。
- 如果使用库存品不确定是否对应RoHS指令 / REACH规定的话, 请通过「[咨询表格](#)」选择「[业务咨询](#)」向弊司垂询。

如果脱离本规格书擅自使用弊司产品的话, 弊司不承担任何责任。



## 通知事项

### ■ 适用法律及限制

- 本产品符合RoHS指令（关于限制在电子电器设备中使用某些有害成分的指令）（2011/65/EU）。
- 本产品所用零部件在生产制造工序中未故意使用“蒙特利尔破坏臭氧层物质管制议定书”中所规定限制使用的破坏臭氧层物质。  
未故意使用以下特定溴化阻燃剂。  
PBBs (Poly-Brominated Biphenyls) / PBDEs (Poly-Brominated Diphenyl Ethers)
- 出口本产品时、请遵照外汇及外国贸易法等出口相关法律法规、办理出口手续。
- 本品非联合国编号和联合国分类中的运输危险品

### ■ 使用用途限制

- 本产品为一般电子设备（音像设备、家电产品、业务用设备、办公设备、信息通信设备等）提供通用标准使用用途。
- 顾虑本产品的误动作可能会危及生命或造成财产损失等、以及要求产品有更高的可靠性和安全性时、有必要另行替换适合使用用途的产品规格书。

### ■ 关于知识产权、其他权利

- 本目录中记载的技术信息系表示商品代表性动作及应用电路例等的信息，这并不意味着保证不侵犯本公司或第三方的知识产权或者许可实施权。

## 使用时的遵守事项

### ■ 关于产品规格书

- 本公司规格书系保证零部件本体中的品质。耐久性会因使用环境、使用条件而有所差异，所以用户在使用时，请务必在贴装于贵公司产品的状态下实施实机评估、确认。  
在对本产品的安全性有疑问时，请速与本公司联系，同时请贵公司务必进行技术研讨。
- 切勿在脱离弊公司产品规格书记载内容的情况下使用弊公司产品。

### ■ 用于更重视安全性的产品时

弊公司充分保障产品品质、但对产品寿命等因素导致的短路（或开路）并非万无一失。建议在使用交通运输（列车、汽车、交通信号等）、医疗、航空和航天、电热产品、燃烧和燃气、旋转、防灾和安防等可能会造成人身或其他重大伤害事故的设备时、请务必通过以下措施充分考虑安全性设计以确保安全。

- (1) 设置保护电路、保护装置以保证系统运行更安全可靠。
- (2) 设置冗余电路等、避免单一故障引起的系统风险。

### ■ 关于使用环境

- 本产品为电子设备提供通用标准使用用途、以下特殊环境中的使用不在设计范围内。因此、在以下特殊环境中使用时、可能会影响电容器的性能、使用时请自行充分确认性能及可靠性等。
  - (1) 在水、油、药液、有机溶剂等液体中使用。
  - (2) 在阳光直射下、暴露于室外、尘埃中使用。
  - (3) 在水分（电阻部位的结霜、水渗漏等）、海风、氯气、硫化氢、氨、二氧化硫、氧化氮等腐蚀性气体多的环境中使用。
  - (4) 在静电或电磁波较强的环境中使用。
  - (5) 安装在发热零部件或塑料电线等可燃物周边使用。
  - (6) 树脂密封使用。
  - (7) 使用溶剂、水、水溶性洗剂清洗焊接后的助焊剂时（特别要注意水溶性助焊剂）。
  - (8) 在酸或碱性环境中使用。
  - (9) 在过度的振动或冲击环境中使用。
  - (10) 在低气压、减压的环境下使用
- 需要考虑冲击电压及瞬时电压因素。  
在冲击电压电路、瞬间施加超高电压的过度现象或施加脉冲高电压等时、注意要在额定电压内使用。
- 本产品使用电解液。  
错误的使用方法不仅会导致快速的性能劣化、而且还会导致电解液泄漏等损伤电路板甚至造成终端产品损毁。

**⚠ 使用注意事项 (径向引线型)****1. 设计电路时**

确认使用环境和安装环境后, 根据电容目录或产品规格书的规定, 在其额定性能范围内进行设计。

**1.1 使用温度, 频率**

温度及频率的变化引起电容电气特性变化, 请考虑其变化量进行电路设计。

(1) 温度变化引起电容电气性能变化。

高温时: 漏电流增大

低温时: 静电容量减少,  $\tan \delta$  及阻抗增大

(2) 频率变化引起电容电气性能变化

高频: 静电容量减少,  $\tan \delta$  及阻抗增大

低频: 伴随等价串联电阻增大, 纹波电流引起发热上升

**1.2 使用温度, 寿命**

(1) 电容器的寿命受使用温度影响。一般而言, 如果温度降低10 °C, 寿命约增加至2倍。请在类别上限温度以下尽可能低的温度下使用。

(2) 在超出规定范围的条件下使用, 电气特性可能会急剧劣化甚至造成电容器损毁。

设备的周围温度不仅包括设备内的温度, 还包括设备内的发热体 (功率晶体管, IC, 电阻等) 的放射热, 纹波电流引起的自发热等在内的电容器顶面温度。另外, 切勿在电容器反面安装发热体等。

(3) 可通过以下公式来计算寿命。

$$L_2 = L_1 \times 2^{\frac{T_1 - T_2}{10}} \quad \text{其中, } T_1 \geq T_2$$

$L_1$  : 温度 $T_1$  °C 时的寿命 (h)

$L_2$  : 温度 $T_2$  °C 时的寿命 (h)

$T_1$  : 分类上限温度 (°C) 系列 GA-A, M-A, SU-A

$T_2$  : 计算寿命用的环境温度+纹波电流发热部分(°C) 上述以外的系列

(4) 请不要超过规定的产品寿命使用。否则可能会引起急剧老化, 短路, 或压力阀动作, 电解液泄漏等损坏。根据封口处橡胶的耐环境性, 预计产品寿命不超过15年。

**1.3 电容的负荷条件**

如对电容外加以以下负荷可能会引起性能急剧老化或短路, 同时可能引起急剧发热或产生气体造成内压上升, 从而导致压力阀动作及封口处电解液泄漏, 严重时甚至引发爆炸或起火。电容损毁同时可能会引发内部可燃物 (电解液及元件固定材料等) 向外飞溅。

(1) 极性 (铝电解电容有极性)

请勿外加逆电压或交流电压, 安装时勿将极性搞反, 否则可能会引起电路短路, 或压力阀动作等损坏。使用前请确认极性标志。在极性不稳定, 不明确的电路中, 请选择使用双极电容, 但双极电容同样不能用于交流电路。

(2) 充放电

切勿在反复发生频繁急剧充放电的电路或虽比较缓慢但要求频繁充放电的电路中使用本产品。用于此类电路时, 请务必将充放电条件告知我们。另外, 浪涌电流勿超过100 A。

(3) ON-OFF电路

切勿在1天内频繁开-关10000次以上的ON-OFF电路中使用本产品。用于此类电路时, 请务必将电路条件等告知我们。

(4) 切勿施加超过额定电压 (短时间时为浪涌电压) 的过电压。在纹波电压 (交流性质) 重叠于直流电压时的峰值低于额定电压的情况下使用。

(5) 纹波电流

切勿施加超过额定纹波电流值的过大纹波电流。即使在额定纹波电流值以下使用, 也会在直流偏电压低时发生施加反向电压的情况。请在不会发生施加反向电压的条件下使用。使用超过规定耐久性寿命的产品时, 即使在额定纹波电流值以下也可能导致ESR特性劣化加剧, 纹波电流引起内部过热, 压力阀动作, 外盒或橡胶膨胀, 电解液遗漏, 甚至还可能導致电容器短路, 爆炸或起火。

**1.4 电容器的并联连接和串联连接**

(1) 并联连接

由于电容器的电阻值接近电路电阻值, 所以并联使用中可能会失去电容器之间的电流平衡而有超过额定值的纹波电流流向部分电容器。请使用相同产品编号的电容器, 以免纹波电流集中在低阻抗侧的电容器上, 还要确保配线阻抗不偏向一方。

(2) 串联连接

因电容器电阻值接近于电路电阻值, 所以有可能导致电容器间的电流失去平衡, 过大的纹波电流流入部分电容器。



### 1.5 安装位置的设计

- (1) 用于双面电路板时, 切勿在安装电容器部位的直下方布置电路图。设计板孔位置时请注意插装型产品封口橡胶与板面密切接合焊锡沿孔洞上吸有可能造成正负极短路, 并且电容器的外壳皮层也有破损的可能性。
- (2) 插装型产品的线路板设计请注意端子和板孔之间宽度间隔的一致性, 过宽过窄都有可能给电容器引线带来扭力造成漏电流变大、短路、电解液漏液等。
- (3) 请在压力阀部上设置一个空间, 使其不妨碍压力阀的工作。  
对于外壳上设有压力阀的电容器, 请保持以下间隔, 以免妨碍压力阀的工作。间隔短时, 可能会导致压力阀的工作性下降, 甚至发生爆炸。  
(产品直径  $\phi 10\text{ mm} \sim \phi 16\text{ mm}$ : 2 mm以上,  $\phi 18\text{ mm}$ : 3 mm以上)
- (4) 避免在压力阀上方布线或布置电路图  
切勿在压力阀上方布置电路图, 特别是高压或大电流的电路配线。压力阀动作时会喷出 $100\text{ }^{\circ}\text{C}$ 以上的可燃性高温气体, 气体凝缩在电路图上, 可能会导致配线外皮溶解引发火灾等二次灾害。
- (5) 切勿在封口部下方布置电路图  
一旦电解液泄漏, 可能会发生漏电或电迁移导致短路。
- (6) 注意安装后的共振  
接近谐振点会给电容带来大的负担, 有可能造成电容的脱落或性能的急剧变化。

### 1.6 电容器的绝缘

电容器的外壳要与阴极端子, 阳极端子以及板上线路之间电路性完全隔离。

### 1.7 关于外部套管和涂层

覆盖于电容器的外部套管或层压板仅用于标示目的, 并不保证其电绝缘功能。此外, 外包装套管若在浸渍于二甲苯和甲苯等溶液中后暴露于高温, 可能会出现龟裂。

## 2. 关于贴装

### 2.1 贴装前预备知识

- (1) 组装且通电后的电容请勿再次使用。
- (2) 如电容上发生再起电压时, 请通过一个 $1\text{ k}\Omega$ 左右的电阻进行放电。
- (3) 长期保存的电容漏电流可能会增大, 可用 $1\text{ k}\Omega$ 左右电阻进行电压处理。
- (4) 勿让电容掉落坠地。坠地后电容机械或电气部分可能受损, 请勿使用。
- (5) 勿使用挤压变形电容。可能使电容密封性下降, 会导致性能恶化, 寿命降低, 电解液泄漏等现象。

### 2.2 安装时

- (1) 安装前请确认电容的额定容量, 额定电压。
- (2) 安装前请确认电容的极性。
- (3) 表面贴装型电容器要在确认端子尺寸和焊盘尺寸后安装, 径向引线型电容器要在确认端子间隔和基板孔间隔后安装。  
应力通过端子施加到内部元件上, 可能会发生短路和安装强度不足等问题。
- (4) 贴装型产品需要注意自动贴装时的外加压力过大可能会导致发生电容器漏电流增大或短路, 断线, 从基板脱落等情况。
- (5) 插装型产品自动插装时请注意电容与线路板的接合间距太紧或过度拉扯引线会造成电容器的损坏。

### 2.3 浸流焊 (贴装型)

- (1) 贴装型产品为回流焊专用零部件。请使用红外热风并用等气氛热处理方法。  
※ 切勿用于浸流焊。
- (2) 请在产品规格书规定的焊接条件 (预热, 温度, 时间, 次数等) 范围内焊接。  
※ 温度测量方法: 因用环氧系粘剂在电容器上方粘贴了热电偶, 量产测温时须注意。
- (3) 二次回流焊时, 应在第一次回流焊后的电容器温度降至常温后, 再进行第二次回流焊。
- (4) 即使是在推荐的回流焊条件下, 也可能发生电容器外盒变色或膨胀现象, 但并不影响产品的可靠性, 敬请谅解。
- (5) 回流焊等产生的热量可能会使阴极标示部位的印字产生裂纹, 但并不影响产品的可靠性, 敬请谅解。
- (6) 使用VPS回流焊时, 因温度急剧上升可能会发生由特性变化或外观变化引起的贴装问题, 所以推荐在 $3\text{ }^{\circ}\text{C}/\text{秒}$ 以下的升温速度条件下使用。详情请洽询。
- (7)  $\phi 6.3$ 耐震动品采用包覆辅助端子直到底板侧面的构造。通过图像识别等方式, 确认辅助端子侧面的角焊缝形成情况时, 请事先探讨可在辅助端子部充分形成角焊缝的焊接条件。而且, 即使无法充分确认角焊缝在辅助端子上的形成情况, 也可通过辅助端子底面部与电路板的焊接接合确保耐震动性能, 因此不会影响产品的可靠性。

### 2.4 波峰焊 (径向引线型)

- (1) 请注意插装型产品不对应回流焊
- (2) 电容本体不可浸入焊锡, 避免焊锡温度造成电容器内压上升损害电容。
- (3) 应将锡焊条件 (温度, 时间等) 设定在 $260\text{ }^{\circ}\text{C} \pm 5\text{ }^{\circ}\text{C}$ ,  $10\text{ 秒} \pm 1\text{ 秒}$ 的范围内。
- (4) 注意焊接时其它零件不要触及电容器。

## 2.5 手工焊接

- (1) 请在产品规格书规定的焊接条件 (温度, 时间) 范围内焊接, 或者在350 °C, 3秒以下的条件下焊接。
- (2) 在用烙铁将已焊好的电容器拆下返修时, 应注意避免对电容器端子施加应力, 并在焊锡充分溶解后再修整。
- (3) 因烙铁头触碰电容器可能会导致电容器损毁, 所以应避免发生触碰。
- (4) 插装性产品的端子间隔与板孔间隔不一致需要矫正引线时, 需注意不可给电容器本身施加外力。

## 2.6 其他锡焊条件

芯片的预加热, 固定树脂的硬化等造成温度异常高时, 会导致电容外装套管收缩, 龟裂等发生。过热硬化炉时, 请将温度设定在150 °C以下 (含150 °C), 时间在2分以内。

## 2.7 焊接后的处理

- (1) 在电容焊到印制电路板后, 请勿使电容本体倾斜, 倾倒或扭曲。以外围部为支点产生的扭矩可能通过端子对元件内部形成电容损毁。
- (2) 在电容焊到印制电路板后, 请勿抓提电容移动电路板, 电路板的自重通过端子会对元件内部形成压力, 导致电容破损。
- (3) 在电容焊到印制电路板后, 请避免电容与其他物品发生碰撞, 另外叠加电路板时, 避免电容与印制电路板或印制电路板上其他零部件的接触。

## 2.8 清洗电路板

- (1) 可承受60 °C以下浸渍 (可用超声波), 5分钟以内的清洗。但清洗后务必充分涮洗, 烘干。

### 【对象溶剂】

Pine Alpha ST-100S, Aqua Cleaner 210SEP, Clean-thru 750H / 750L / 710, Sunelec B-12, Sunelec B-12, Cold Cleaner P3-375, Techno Cleaner 219, DK Be-clear CW-5790, Telpene Cleaner EC-7R, Technocare FRW-17 / FRW-1 / FRV-1

※ 为保护地球环境, 切勿使用破坏地球臭氧层的清洗剂。

- (2) 只要产品规格书中无规定, 切勿使用以下溶剂清洗电容器。

(a) 卤素系溶剂: 可能会渗入 (扩散) 至电容器内部引起分解反应, 游离的氯离子和铝发生化学反应发生腐蚀电容器的情况。

特别禁止使用1-1-1 Trichloroethane。

有清洗保证的电容器, 务必使用产品规格书记载的清洗剂, 在规定的清洗条件 (温度, 时间等) 范围下清洗。

- (b) 碱性溶剂 : 腐蚀铝盒 (溶解)
- (c) 石油溶剂 : 封口橡胶劣化
- (d) 二甲苯 : 封口橡胶劣化
- (e) 丙酮 : 标示消失

- (3) 电路板清洗后立即强行烘干, 以免电容封口部分与电路板之间有残留清洗剂。

- (4) 对清洗剂是否受污染进行严格管理 (电导度, PH, 比重, 水分等)。清洗剂如受污染, 可能使氯气浓度升高, 造成电容内部腐蚀。

清洗剂中所对助焊剂浓度请控制在 2 mass% 以内。

- (5) 清洗方法不当可能会导致产品标示模糊甚至消失。

※ 因部分产品无法清洗或有无法使用的清洗剂, 如有不明之处敬请洽询。

## 2.9 固定粘接剂, 涂层剂

当以固定电容器, 电路板防潮为目的使用粘剂或涂层剂时, 其材料中所含溶剂可能会发生腐蚀电容器的现象, 所以请选用材料中不含卤素类化合物的粘剂或涂层剂。另外, 聚合物应避免使用开氯丁二烯。

硬化, 烘干粘剂和涂层时, 务必注意不要残留溶剂。

※ 电路板清洗后进行粘接或涂层时, 为避免电容器封口部与电路板之间残留清洗剂, 清洗后须立即强行烘干。

另外, 切勿在电容器封口部的1/3以上的预留部位进行粘接或涂层。

## 2-10 灌注及模塑

不推荐用于灌注及模塑。由于树脂成型时的压力引起的产品变形、覆膜树脂对散热性的影响或成分渗入, 可能会显著降低产品特性和可靠性。此外, 从密封橡胶部扩散渗透的电解液可能会聚集而引起短路故障。

## 2.11 熏蒸处理

在向海外出口装配有铝电解电容的电子设备时, 其木制包装材料可能会用溴化甲基等卤素化合物进行熏蒸处理, 如处理后的烘干不充分, 在运输途中其包装材料可能释放出残留的卤素化合物, 进而渗入电容内部产生腐蚀反应。

熏蒸处理后请进行充分的烘干勿使卤素化合物有所残留。此外, 在电子设备整体包装后切勿进行熏蒸处理。

## 2.12 关于助焊剂

使用卤素系 (氯系、溴系等) 的高活性度的助焊剂时, 有可能因助焊剂的残渣而影响到性能或可靠性, 请在事先进行确认后使用。

### 3. 使用装配电容器的终端产品时

#### 3.1 环境条件

避免在以下环境中使用装配电容器的终端产品。

- (1) 超过类别上, 下限温度的环境
- (2) 直接接触水, 盐水及油的环境
- (3) 发生结露的环境
- (4) 充满有毒气体 (硫化氢, 亚硫酸, 亚硝酸, 氯气及氯化物, 溴素及溴化合物, 氨气等) 的环境
- (5) 臭氧, 放射线, 紫外线照射的环境
- (6) 超过规定范围的冲击或振动条件的环境

另外, 即使在规定范围内也有可能因共振而施加更大的振动加速度, 所以请务必通过实机进行评估、确认。

#### 3.2 终端产品使用中的注意事项

- (1) 切勿直接触摸电容器的端子  
触摸正在使用的终端产品的电容器端子, 可能会导致触电。电容器铝盒的露出部位并不绝缘, 切勿直接触摸。
- (2) 避免导体造成电容器端子间短路。切勿将酸, 碱等导电性溶液浇淋在电容器上。电路性短路状态, 电路异常等可能会导致电容器损毁。
- (3) 在电容器周边使用含有较多硅氧烷的硅材料时, 可能会导致电气性能异常。

### 4. 如发生万一

- (1) 正在使用的终端产品的电容器的压力阀动作, 产生气体时, 须切断终端产品的总电源或者将电源插头从电源插座中拔出。如放置, 不切断电源, 可能会导致因电容器短路引起的电路损毁, 气化气体的液化, 电路短路甚至会导致发生终端产品烧损等二次灾害。  
(从电容器压力阀里喷出的气体, 是气化后的电解液, 而非烟雾。)
- (2) 电容器压力阀动作时, 会喷出100 °C以上的高温气体, 脸部切勿靠近。  
万一气体进入眼睛或被误吸时, 请立即用清水清洗眼睛或漱口。皮肤接触后, 可用肥皂冲洗。

### 5. 保存放置

- (1) 长期放置后的电容器, 有漏电流增大的倾向。这是由无负荷状态下的氧化皮膜的劣化引起的, 虽然有施加电压后会降低的特性, 但始使用时可能会流过大量的皮膜修复电流, 产生的过大漏电流有可能成为引起电路异常的主要原因。产品有效期限为从出货检查日起算的42个月。下表内容以外为12个月。

| 系列                                 | 产品的有效期       |
|------------------------------------|--------------|
| FC-A, FK-A, FP-A, HD-A, TA-A, TP-A | 从出货检查日开始42个月 |

保存条件请选择常温 (5 °C ~ 35 °C), 常湿 (45 % ~ 85 %) 无直射阳光处。

#### (2) 保存环境

请勿在产品规格书中规定的环境范围之外或在以下环境中使用和保存。

- (a) 超过分类上限温度或下限温度
- (b) 直接接触水, 盐水或油的环境
- (c) 可能结露水的环境
- (d) 充满有毒气体的环境 (硫化氢, 亚硫酸, 亚硝酸, 氯气及其化合物, 溴素及其化合物, 氨气等)
- (e) 臭氧, 有放射线及紫外线照射的环境
- (f) 产生的振动或冲击超出规定范围的环境

## 6. 废弃处理

处理废弃电容可采用以下方法。

- (1) 在电容上开孔, 或将电容压碎后高温燃烧 (800 °C以上)。直接燃烧可能引起电容爆炸。
- (2) 如不采用燃烧处理的方法, 请委托专业的工业废弃物处理厂家进行废弃处理。

以有关铝电解电容的使用注意事项, 以JEITA RCR-2367D 2017年10月发行的「电子设备用固定铝电解电容器的安全使用指南」为标准, 详细内容可参考以上准则。

### ■ 符合AEC-Q200

“符合AEC-Q200”的产品, 是指已全部或部分实施AEC-Q200中规定的评估试验条件的产品。

有关各产品的详细规格和具体的评估试验结果等事宜, 请向本公司咨询。

此外, 在订购产品时, 请按每类产品交换交货规格书。