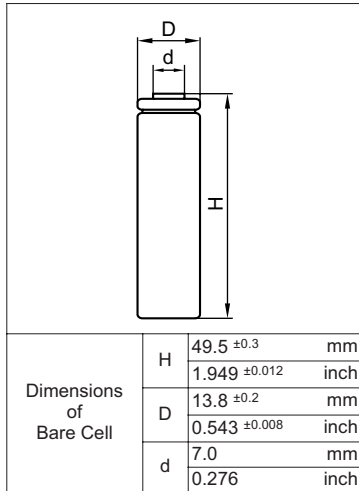


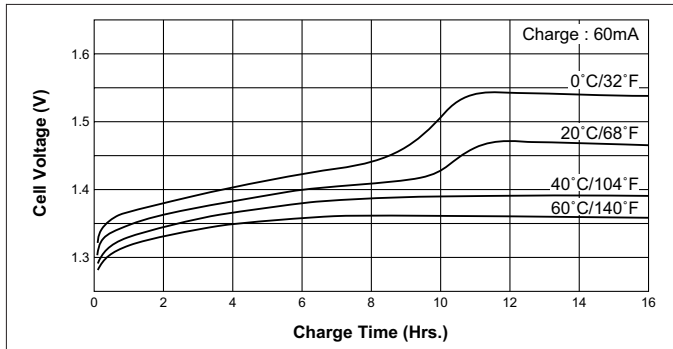
## Cell Type N-600AAK Specifications



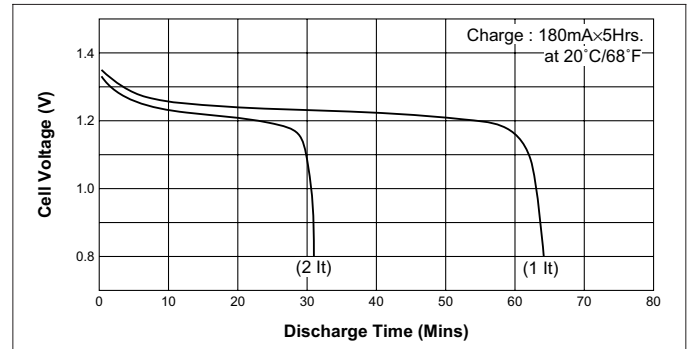
Nominal Capacity		600mAh	
Nominal Voltage		1.2V	
Charging Current	Standard	60mA	
	Quick	180mA	
Charging Time	Standard	14 to 16Hrs.	
	Quick	4 to 6Hrs.	
Ambient Temperature	Charge	Standard	0°C to +70°C [+32°F to 158°F]
		Quick	10°C to +70°C [+50°F to 158°F]
	Discharge		-20°C to +70°C [-4°F to 158°F]
	Storage		-30°C to +70°C [-22°F to 158°F]
Internal Impedance (Av.) (at 50% discharge)		12.0mΩ (at 1000Hz)	
Weight		22g/0.78oz	
Dimensions(D)×(H) (with tube)		14.3 <sup>0</sup> <sub>-0.5</sub> × 50.2 <sup>0</sup> <sub>-1.0</sub>	mm
		0.56 <sup>0</sup> <sub>-0.02</sub> × 1.98 <sup>0</sup> <sub>-0.04</sub>	inch

### Typical Characteristics

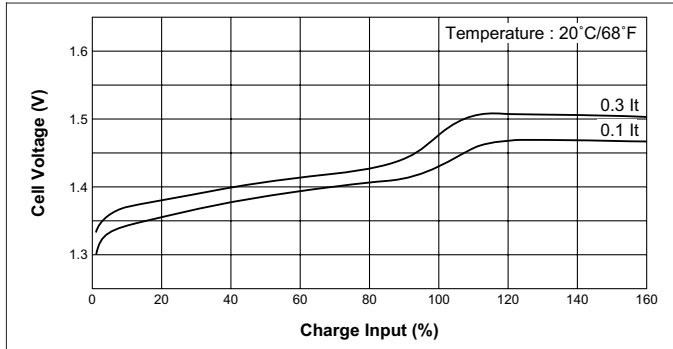
Charge



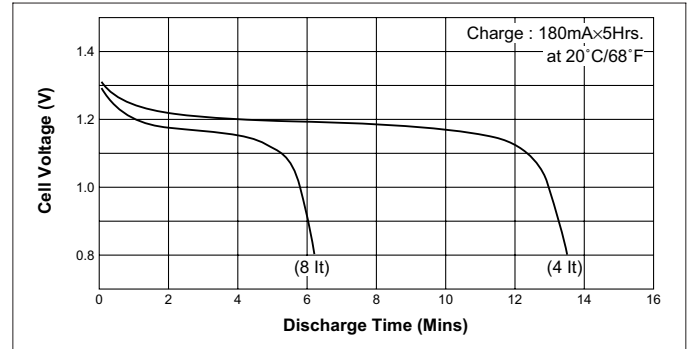
Discharge (at high rate)



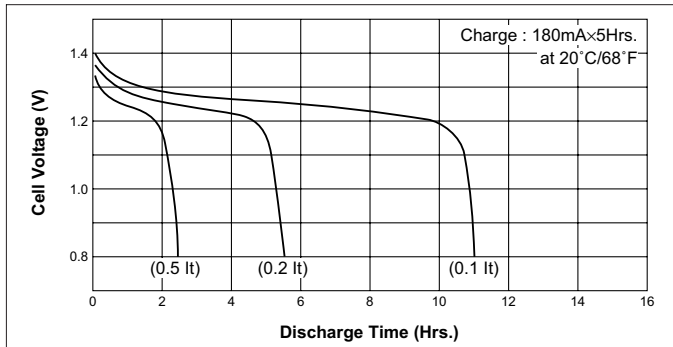
Charge



Discharge (at high rate)



Discharge (at low rate)



Temperature (Charge & Discharge)

