

Features

- Signaling Rates >400Mbps (200 MHz)
- Single 3.3V Power Supply Design
- Accepts $\pm 350\text{mV}$ (typical) Differential Swing
- Maximum Differential Skew of 0.35ns
- Maximum Propagation Delay of 4.7ns
- Low Voltage TTL (LVTTTL) Outputs
- Industrial Temperature Operating Range: -40°C to 85°C
- Open, Short, and Terminated Fail Safe
- Meets or Exceeds ANSI/TIA/EIA-644 LVDS Standard
- Packaging (Pb-free & Green available):
 - 8-Pin SOIC (W)
 - 8-Pin MSOP (U)

Description

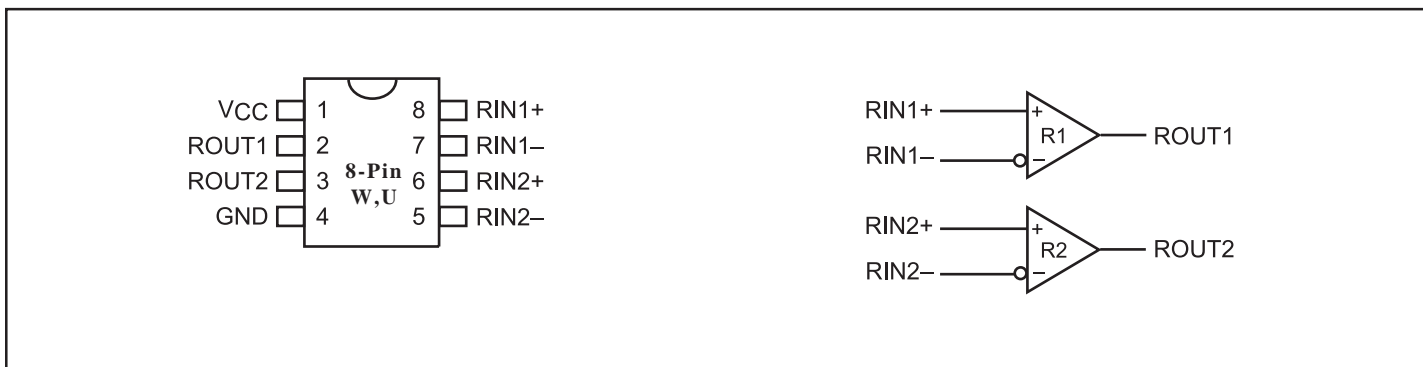
The PI90LV9637 is a differential line receiver that use low-voltage differential signaling (LVDS) to support data rates in excess of 400 Mbps. These products are designed for applications requiring high-speed, low-power consumption and low noise generation.

A differential input signal (350mV) is translated by the device to 3V CMOS output level.

Applications

Applications include point-to-point and multidrop baseband data transmission over controlled impedance media of approximately 100-ohms. The transmission media can be printed circuit board traces, backplanes, or cables.

The PI90LV9637 provides new alternatives to RS-232, PECL, and ECL devices for high-speed, point-to-point interface applications.

PI90LV9637


Absolute Maximum Ratings (see Note 1, Page 4)

Supply Voltage (V_{CC})	-0.3V to +4.0V
Input Voltage (R_{IN+} , R_{IN-})	-0.3V to +3.9V
Enable Input Voltage (EN)	-0.3V to ($V_{CC}+0.3V$)
Output Voltage (R_{OUT})	-0.3V to ($V_{CC}+0.3V$)
S Package	750mW
Derate S Package	8.2mW/°C above +25°C
Storage Temperature Range	-65°C to +150°C
Lead Temperature Range Soldering (4s)	+260°C
Maximum Junction Temperature	+150°C
ESD Rating	≥10kV

Note:
Stresses greater than those listed under Absolute Maximum Ratings may cause permanent damage to the device. This is a stress rating only and functional operation of the device at these or any other conditions above those indicated in the operational sections of this specification is not implied. Exposure to absolute maximum rating conditions for extended periods may affect reliability.

Recommended Operating Condition

	Min.	Typ.	Max.	Units
Supply Voltage (V_{CC})	+3.0	+3.3	+3.6	V
Receiver Input Voltage	GND		+3.0	
Operating Free Air Temperature (T_A)	-40	+25	+85	°C

Function Table

Differential Inputs	Output
R_{IN+} , R_{IN-}	R_{OUT}
$V_{ID} \geq 100mV$	H
$-100mV < V_{ID} < 100mV$?
$V_{ID} \leq -100mV$	L
Open	H

Pin Description

Name	Description
R_{OUT}	TTL/CMOS receiver output pins
R_{IN+}	Non-inverting receiver input pins
R_{IN-}	Inverting receiver input pins
GND	Ground pin
V_{CC}	Positive power supply pin, +3.3V ±10%

Electrical Characteristics

Over supply voltage and operating temperature ranges, unless otherwise specified. (Note 2)

Symbol	Parameter	Conditions		Pin	Min.	Typ.	Max.	Units
V_{TH}	Differential Input High Threshold	$V_{cm} = +1.2V^{(12)}$				+20	+100	mV
V_{TL}	Differential Input Low Threshold				-100	-20		
V_{CMR}	Common-Mode Voltage Range	$V_{ID} = 200mV$ peak-to-peak ⁽⁵⁾		R_{IN+} , R_{IN-}	0.1		2.6	V
I_{IN}	Input Current	$V_{IN} = +2.8V$	$V_{CC} = +3.6$ or $0V$		-10	± 1	+10	μA
		$V_{IN} = 0V$			-10	± 1	+10	
		$V_{IN} = +3.6V$	$V_{CC} = 0V$	-20		+20		
V_{OH}	Output High Voltage	$I_{OH} = -0.4mA$, $V_{ID} = +200mV$		R_{OUT}	2.7	3.0		V
		$I_{OH} = -0.4mA$, Input terminated			2.7	3.0		
		$I_{OH} = -0.4mA$, Input shorted			2.7	3.0		
V_{OL}	Output Low Voltage	$I_{OL} = 2mA$, $V_{ID} = -200mV$				0.1	0.25	
I_{OS}	Output Short Circuit Current	Enabled, $V_{out} = 0V^{(10)}$			-15	-48	-120	mA
I_{OZ}	Output Three-State Current	Disabled, $V_{OUT} = 0V$ or V_{CC}			-10	± 1	+10	μA
V_{IH}	Input High Voltage			EN	2.0		V_{CC}	V
V_{IL}	Input Low Voltage				GND		0.8	
I_I	Input Current	$V_{IN} = 0V$ or V_{CC} , Other Input = V_{CC} or GND			-20	± 1	+20	μA
V_{CL}	Input Clamp Voltage	$I_{CL} = -18mA$			-1.5	-0.8		V
I_{CC}	No Load Supply Current Receivers Enabled	EN = V_{CC} or GND, Inputs Open		V_{CC}		10	15	mA
		EN = 2.4V or 0.5V, Inputs Open				10	15	
I_{CCZ}	No Load Supply Current Receivers Disabled	EN = GND, Inputs Open					7	
C_W	Input Capacitance					5	10	pF

Switching Characteristics

Over supply voltage and operating temperature ranges, unless otherwise specified. (Notes 3,4,7,8)

Symbol	Parameter	Conditions	Min.	Typ.	Max.	Units
t _{PHLD}	Differential Propagation Delay High to Low (V _{CM} = 1.23V)	C _L = 10pF V _{ID} = 200mV (Figures 1 & 2)	1.8		4.7	ns
t _{PLHD}	Differential Propagation Delay Low to High (V _{CM} = 1.23V)		1.8		4.7	
t _{SKD1}	Differential Pulse Skew t _{PHLD} - t _{PLHD} ⁽⁶⁾		0	0.1	0.5	
t _{SKD2}	Differential Channel-to-Channel Skew-same device ⁽⁷⁾		0	0.1	0.5	
t _{SKD3}	Differential Part-to-Part Skew ⁽⁸⁾				1.0	
t _{SKD4}	Differential Part-to-Part Skew ⁽⁹⁾				1.5	
t _{TLH}	Rise Time			0.35	1.2	
t _{THL}	Fall Time		0.35	1.2		
t _{PHZ}	Disable Time High to Z	R _L = 2kΩ		8	12	
t _{PLZ}	Disable Time Low to Z	C _L = 10pF (Figures 3 & 4)		6	12	
t _{PZH}	Enable Time Z to High			11	17	
t _{PZL}	Enable Time Z to Low			11	17	
f _{MAX}	Maximum Operating Frequency ⁽¹³⁾	All channels switching		250		MHz

Notes:

- “Absolute Maximum Ratings” are those values beyond which the safety of the device cannot be guaranteed. They are not meant to imply that the devices should be operated at these limits. The table of “Electrical Characteristics” specifies conditions of device operation.
- Current into device pins is defined as positive. Current out of device pins is defined as negative. All voltages are referenced to ground unless otherwise specified.
- All typicals are given for: V_{CC} = +3.3V, T_A = +25°C.
- Generator waveform for all tests unless otherwise specified: f = 1 MHz, Z_O = 50Ω, t_R and t_F (0% to 100%) ≤ 3ns for R_{IN}.
- The VCMR range is reduced for larger V_{ID}. Example : if V_{ID} = 400mV, the VCMR is 0.2V to 2.2V. The fail-safe condition with inputs shorted is valid over a common-mode range of 0V to 2.3V. A V_{ID} up to V_{CC} - 0V may be applied to the R_{IN+} / R_{IN-} inputs with the Common-Mode voltage set to V_{CC}/2. Propagation delay and Differential Pulse skew decrease when V_{ID} is increased from 200mV to 400mV. Skew specifications apply for 200mV ≤ V_{ID} ≤ 800mV over the common mode range.
- tskd1 is the magnitude difference in differential propagation delay time between the positive going edge and the negative going edge of the same channel.
- tskd2, Channel-to-Channel Skew, is defined as the difference between the propagation delay of one channel and that of the others on the same chip with any event on the inputs.
- tskd3, Part-to-Part Skew, is the differential Channel-to-Channel skew of any event between devices. This specification applies to devices at the same V_{CC}, and within 5°C of each other within the operating temperature range.
- tskd4, Part-to-Part Skew, is the differential Channel-to-Channel skew of any event between devices. This specification applies to devices over recommended operating temperature and voltage ranges, and across process distribution. tskd4 is defined as I_{MAX} - Mini differential propagation delay.
- Output short circuit current (I_{OS}) is specified as magnitude only, minus sign indicates direction only. Only one output should be shorted at a time, do not exceed maximum junction temperature specification.
- C_L includes probe and jig capacitance.
- V_{CC} is always higher than R_{IN+} and R_{IN-} voltage. R_{IN-} and R_{IN+} are allowed to have a voltage range -0.2V to V_{CC} - V_{ID}/2. However, to be compliant with AC specifications, the common voltage range 0.1V to 2.3V.
- f_{max} generator input conditions: t_R = t_F < 1ns, (0% to 100%), 50% duty cycle, differential (1.05V to 1.35V peak to peak). Output Criteria: duty cycle = 60%/40%, V_{OL} (max 0.4V), V_{OH} (min 2.7V), Load = 10pF (stray plus probes).

Parameter Measurement Information

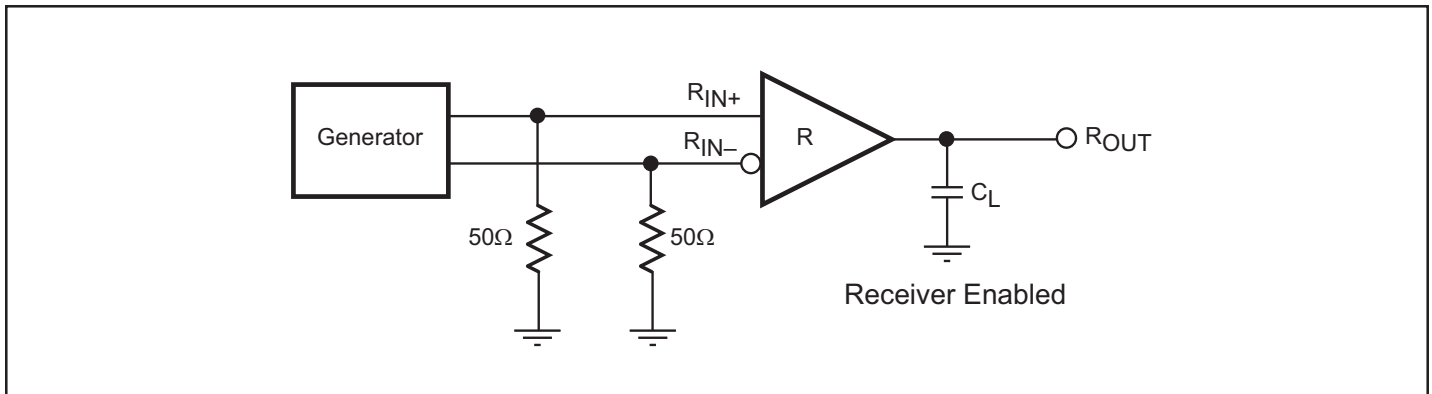


Figure 1. Receiver Propagation Delay and Transition Time Test Circuit

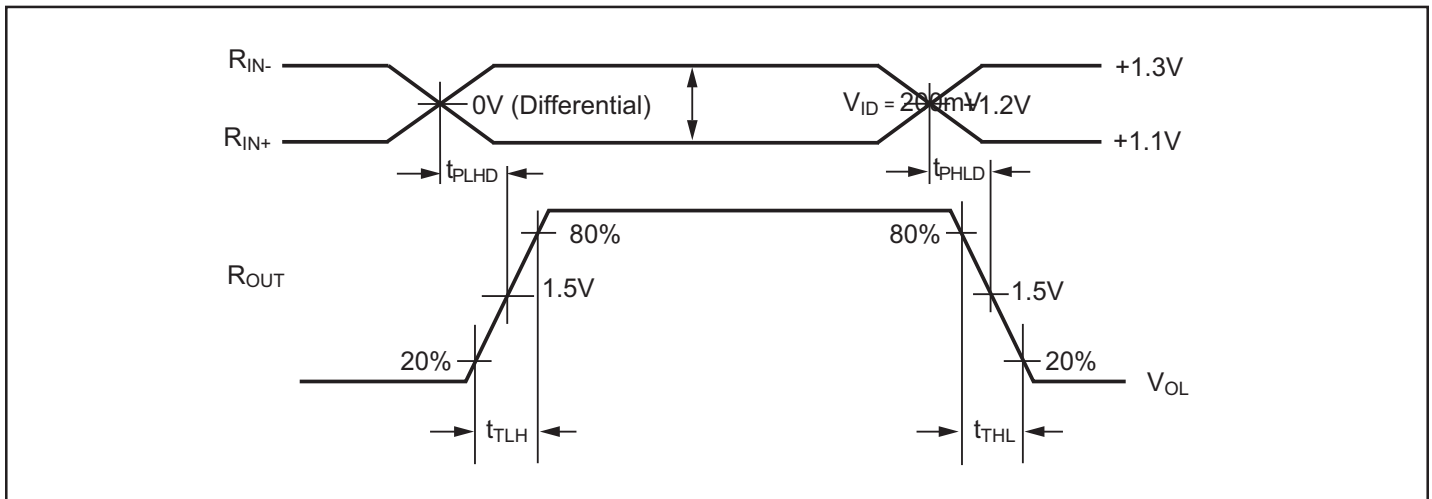


Figure 2. Receiver Propagation Delay and Transition Time Waveforms

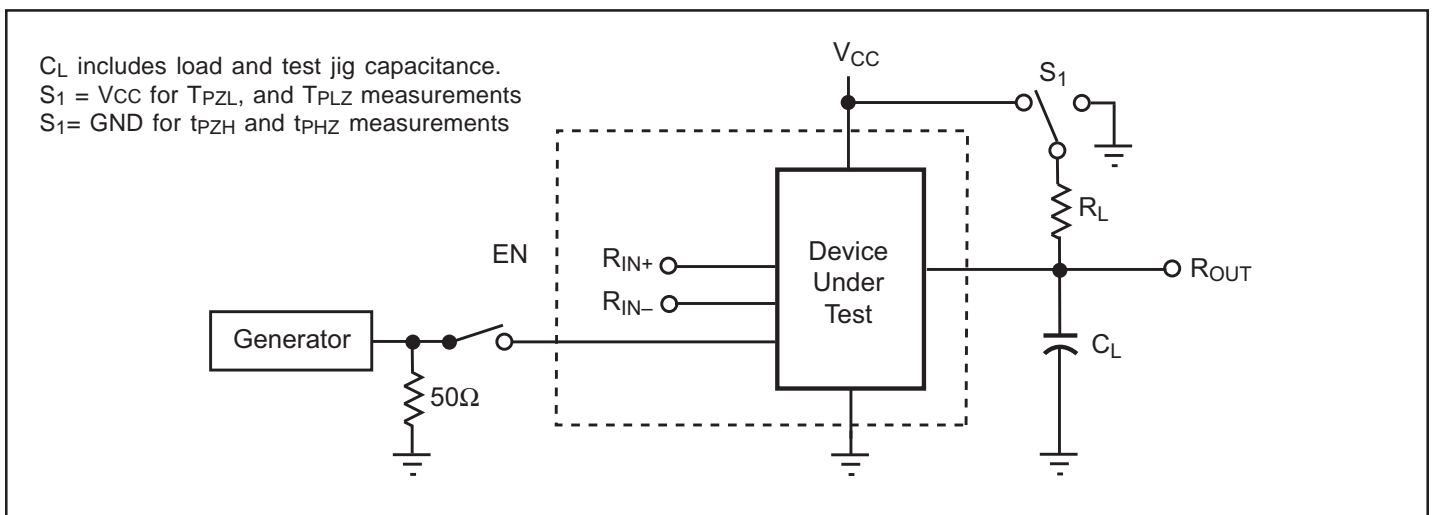


Figure 3. Receiver Three-State Delay Test Circuit

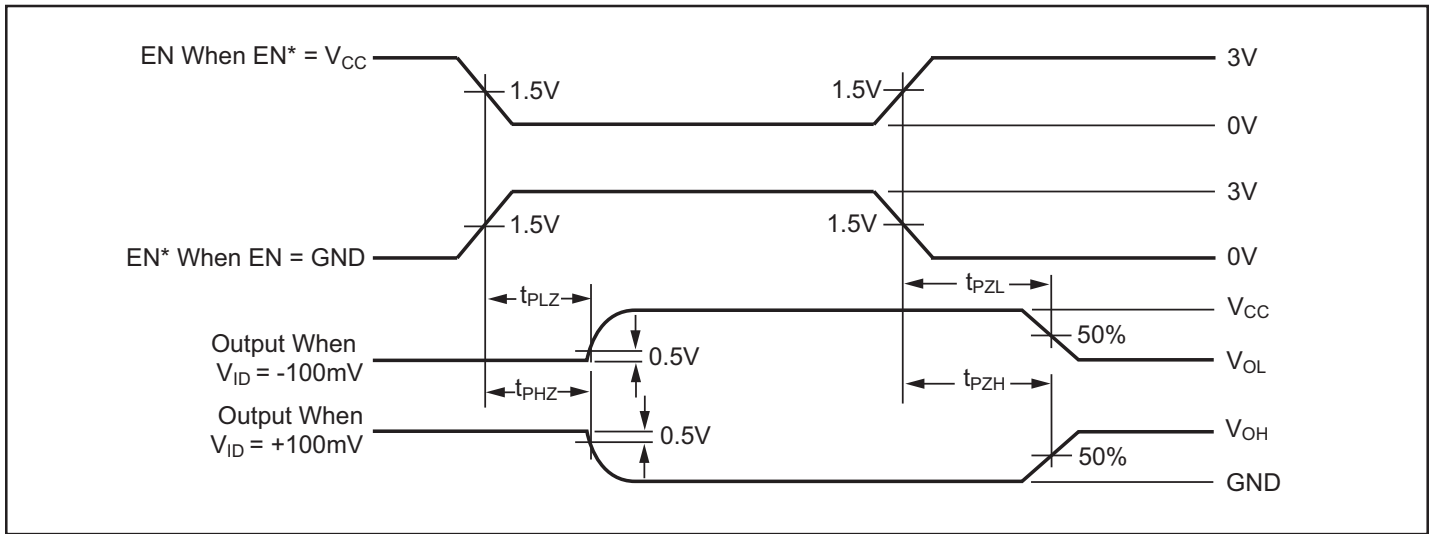


Figure 4. Receiver Three-State Delay Waveforms

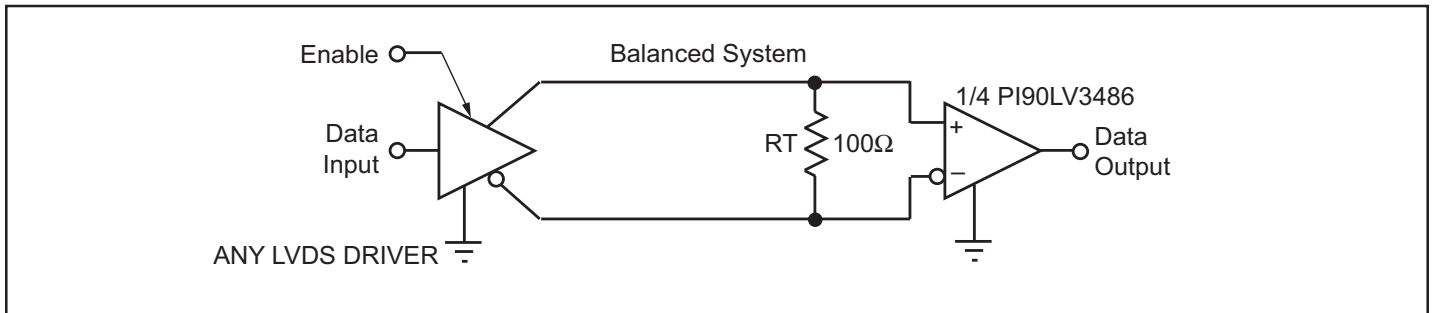


Figure 5. Point-to-Point Application

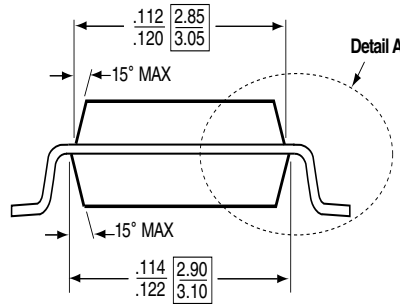
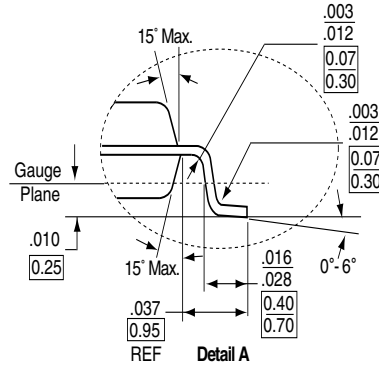
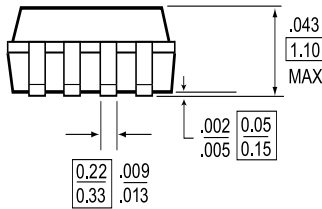
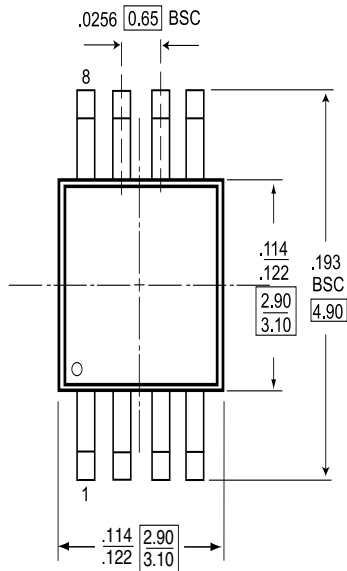
Packaging Mechanical: 8-Pin MSOP (U)

DOCUMENT CONTROL NO.

PD - 1261

REVISION: E

DATE: 03/09/05



X.XX DENOTES DIMENSIONS
IN MILLIMETERS



Pericom Semiconductor Corporation
3545 N. 1st Street, San Jose, CA 95134
1-800-435-2335 • www.pericom.com

DESCRIPTION: 8-Pin Mini Small Outline Package, MSOP

PACKAGE CODE: U

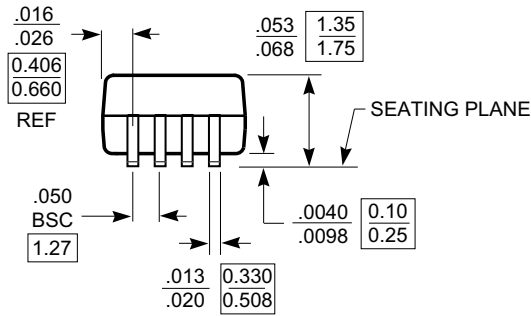
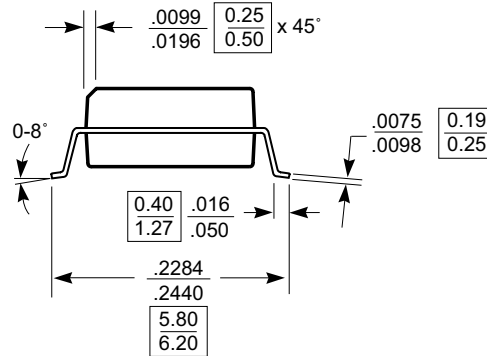
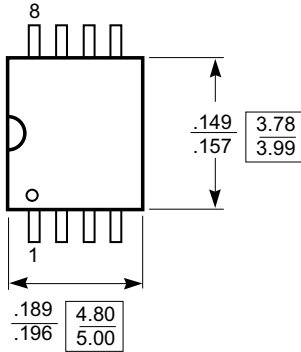
Notes:

- 1) Controlling Dimensions in Millimeters
- 2) Ref. JEDEC MO-187E/AA

Packaging Mechanical: 8-Pin SOIC (W)

DOCUMENT CONTROL NO.
PD - 1001

REVISION: F
DATE: 03/09/05



X.XX DENOTES DIMENSIONS
X.XX IN MILLIMETERS

- Notes:
1) Controlling dimensions in millimeters.
2) Ref: JEDEC MS-012D/AA



Pericom Semiconductor Corporation
3545 N. 1st Street, San Jose, CA 95134
1-800-435-2335 • www.pericom.com

DESCRIPTION: 8-Pin, 150-Mil Wide, SOIC

PACKAGE CODE: W

Ordering Information

Ordering Code	Package Code	Package Type
PI90LV9637U	U	8-pin MSOP
PI90LV9637UE	U	Pb-free & Green, 8-pin MSOP
PI90LV9637WE	W	Pb-free & Green, 8-pin SOIC

Note:

1. Thermal characteristics can be found on the company web site at www.pericom.com/packaging/