

**SIDAC High Voltage
Silicon Uni-directional Thyristors**

**SIDAC
0.3 AMPERE RMS
105~220 VOLTS**

FEATURES

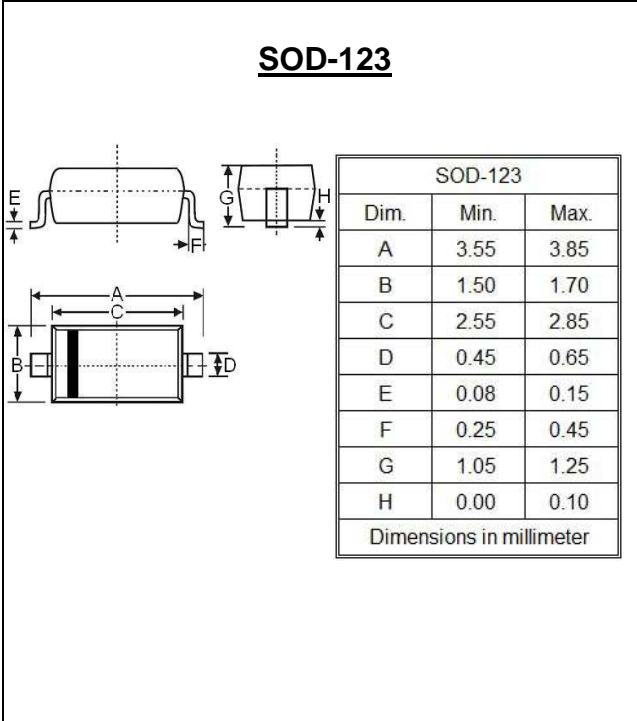
- High pulse current capability
- Glass passivation insure reliable operation
- Maximum dynamic holding current 50mA.
- Compact package, SOD-123 package

Application

- Anion Generator
- Pulse generating

Mechanical Data

- Terminals: Lead Free Plating
- Polarity: Color band denotes anode
- RoHS 2011/65/EU Compliant



MAXIMUM RATINGS (Tj=25 °C, unless otherwise specified)

Parameter	Test Condition	Symbol	Value	Unit
Peak repetitive off-state voltage	TJ= -40 to 105°C, Sine Wave, 50 to 60 Hz	H105H H220H	90 180	V
On-state RMS current	TL= 80 °C, All Conduction Angles	It(RMS)	0.3	A
Peak Non-Repetitive Surge Current	Waveform: 10/1000us, Tj=25 °C, refer Fig.4	ITSM	14	A
Operating junction temperature range		Tj	-40 ~ +105	°C
Storage temperature range		Tstg	-40 ~ +125	°C

Rev. 4, Sep-2016, KSXR01

THERMAL CHARACTERISTICS

Characteristic	Symbol	Value	Unit
Thermal resistance – Junction to case	Rthjc	15	°C/W
Maximum lead Solder Temperature (Lead Length ≥ 1/16 " from Case, 10s Max)	T _L	260	°C

ELECTRICAL CHARACTERISTICS (T_j=25°C, unless otherwise specified)

Parameter	Test condition	Symbol	Min	Typ	Max	Unit
-----------	----------------	--------	-----	-----	-----	------

OFF CHARACTERISTICS

Peak repetitive forward or Reverse Blocking Current (50 to 60 Hz)	I _{DRM}	---	---	10	uA
--	------------------	-----	-----	----	----

ON CHARACTERISTICS

Peak On-State Voltage	I _T = 0.3A	V _{TM}	---	1.1	1.5	V
Break Over Voltage	I _{BO} = 5uA H105H H220H	V _{BO}	95 210	---	110 230	V
Break Over Current	V _{BO} = 105V	I _{BO}	---	5	---	uA
Holding Current		I _H	---	---	50	mA
Switching Resistance		R _s	0.1	---	---	kΩ

MARKING INFORMATION



Note:

X= Part Number, A=H105H, C=H220H

Y= Year: 0~9

M= Month: 0~9, A, B, C

Electrical Characteristic of SIDAC

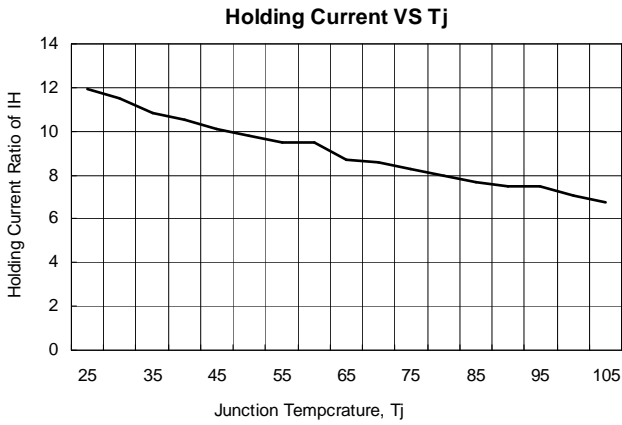


Fig.1

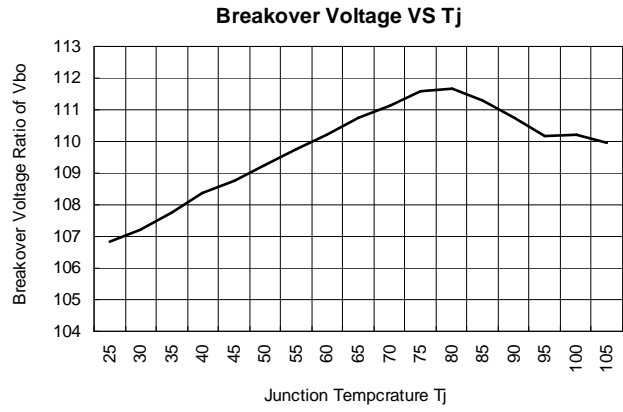


Fig.2

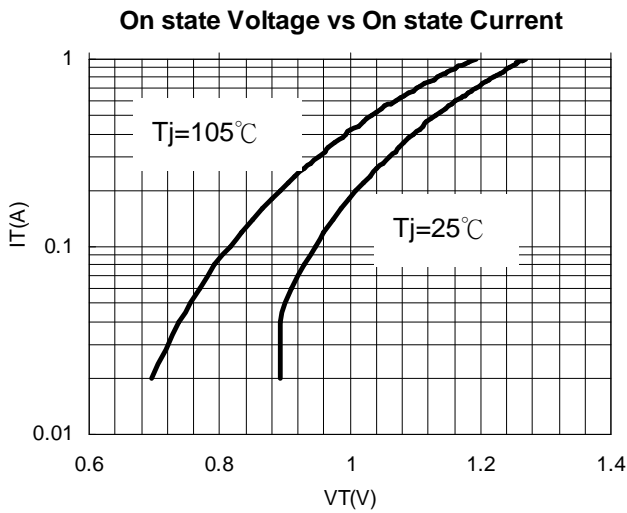


Fig.3

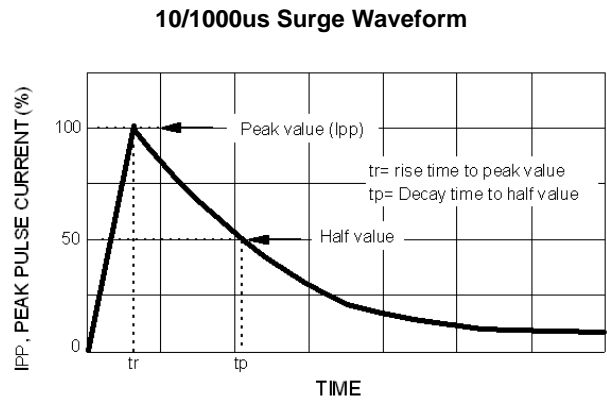


Fig.4

Important Notice and Disclaimer

LSC reserves the right to make changes to this document and its products and specifications at any time without notice. Customers should obtain and confirm the latest product information and specifications before final design, purchase or use.

LSC makes no warranty, representation or guarantee regarding the suitability of its products for any particular purpose, nor does LSC assume any liability for application assistance or customer product design. LSC does not warrant or accept any liability with products which are purchased or used for any unintended or unauthorized application.

No license is granted by implication or otherwise under any intellectual property rights of LSC.

LSC products are not authorized for use as critical components in life support devices or systems without express written approval of LSC.