

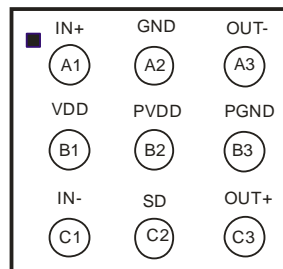
## Description

The PAM8014 is a 3.2W mono filter-less class-D amplifier with high PSRR and differential input that eliminate noise and RF rectification. Features like greater than 90% efficiency and small PCB area make the PAM8014 Class-D amplifier ideal for portable applications. The output uses a filter-less architecture, minimizing the number of external components and PCB area whilst providing a high performance, simple, and lower cost system.

The PAM8014 features short circuit protection and thermal shutdown. The PAM8014 is available in the U-WLB1313-9 package.

## Pin Assignments

(Top View)



U-WLB1313-9

## Features

- Ultra Low EMI, -20dB Better Than FCC Class-B @ 300MHz
- High Efficiency up to 93% @2W with a 8Ω Speaker
- Shutdown Current <1μA
- 3.2W@10% THD Output with a 4Ω Load at 5V Supply
- Demanding Few External Components
- Superior Low Noise without Input
- Supply Voltage from 2.5V to 5.5 V
- Short Circuit Protection
- Thermal Shutdown
- Available in Space Saving U-WLB1313-9 Package
- **Totally Lead-Free&Fully RoHS Compliant (Notes 1 & 2)**
- **Halogen and Antimony Free. "Green" Device (Note 3)**
- **For automotive applications requiring specific change control (i.e. parts qualified to AEC-Q100/101/200, PPAP capable, and manufactured in IATF 16949 certified facilities), please [contact us](#) or your local Diodes representative. <https://www.diodes.com/quality/product-definitions/>**

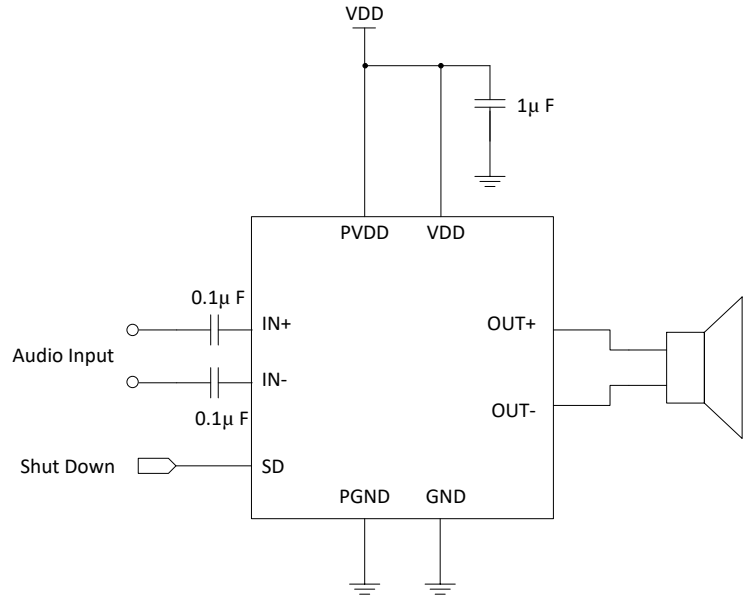
## Applications

- Cellular Phones/Smart Phones
- MP4/MP3
- VOIP
- Digital Photo Frames
- Electronic Dictionaries
- Portable Game Machines

Notes:

1. No purposely added lead. Fully EU Directive 2002/95/EC (RoHS), 2011/65/EU (RoHS 2) & 2015/863/EU (RoHS 3) compliant.
2. See <https://www.diodes.com/quality/lead-free/> for more information about Diodes Incorporated's definitions of Halogen- and Antimony-free, "Green" and Lead-free.
3. Halogen- and Antimony-free "Green" products are defined as those which contain <900ppm bromine, <900ppm chlorine (<1500ppm total Br + Cl) and <1000ppm antimony compounds.

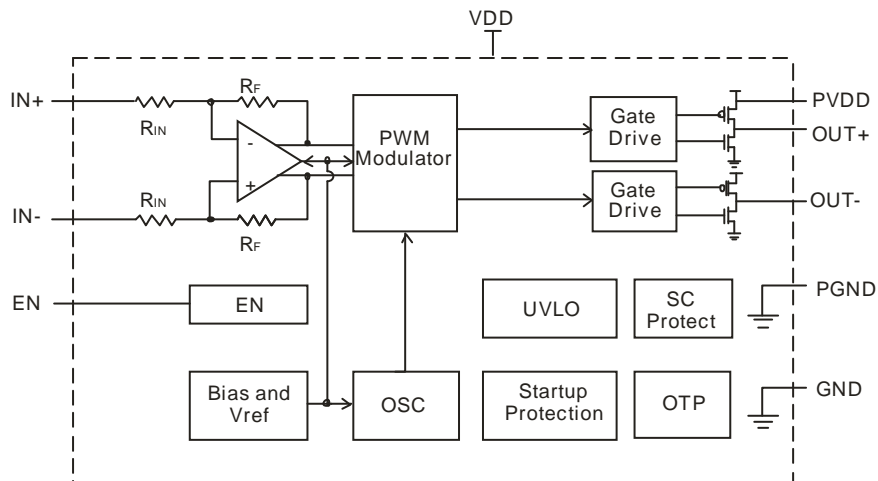
**Typical Applications Circuit**



**Pin Descriptions**

Pin Number	Pin Name	Function
A1	IN+	Positive Differential Input
A2	GND	Ground
A3	OUT-	Negative BTL Output
B1	VDD	Power Supply
B2	PVDD	Power Supply
B3	PGND	Power Ground
C1	IN-	Negative Differential Input
C2	EN	Chip Enable
C3	OUT+	Positive BTL Output

**Functional Block Diagram**



### Absolute Maximum Ratings (@ T<sub>A</sub> = +25°C, unless otherwise specified.)

Symbol	Parameter	Value	Unit
V <sub>DD</sub>	Supply Voltage (V <sub>DD</sub> )	6.0	V
V <sub>I</sub>	Input Voltage (IN+, IN-, EN)	-0.3 to V <sub>DD</sub> +0.3	V
T <sub>S</sub>	Storage Temperature	-65 to +150	°C
T <sub>J</sub>	Maximum Junction Temperature	+150	°C

### Recommended Operating Conditions (@ T<sub>A</sub> = +25°C, unless otherwise specified.)

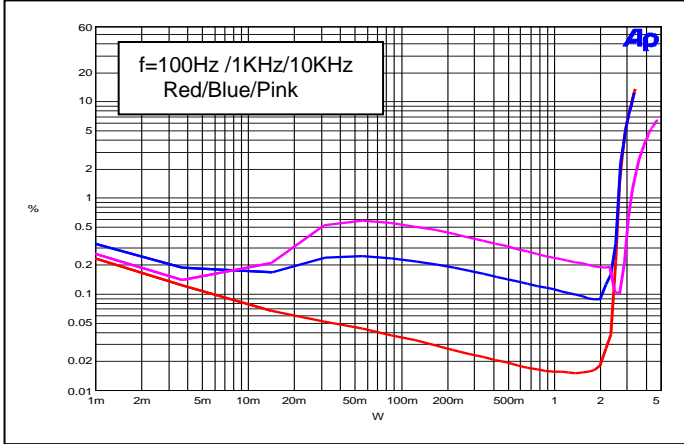
Symbol	Parameter	Min	Max	Unit
V <sub>DD</sub>	Supply Voltage	2.5	5.5	V
T <sub>A</sub>	Operating Ambient Temperature Range	-40	+85	°C
T <sub>J</sub>	Junction Temperature	-40	+125	°C

### Electrical Characteristics (@ T<sub>A</sub> = +25°C, V<sub>DD</sub> = 5V, R<sub>IN</sub> = 0, Gain=18dB, R<sub>L</sub> = L(33μH)+R+L(33μH), unless otherwise specified.)

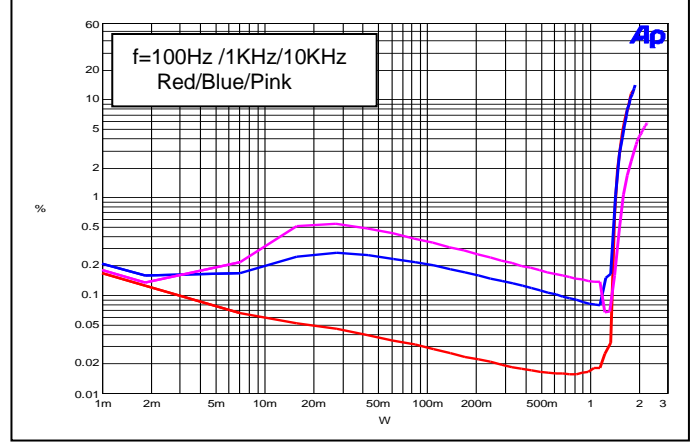
Symbol	Parameter	Test Conditions	Min	Typ	Max	Unit	
V <sub>DD</sub>	Supply Voltage	—	2.5	—	5.5	V	
P <sub>O</sub>	Output Power	THD+N = 10%, f = 1kHz, R = 4Ω	V <sub>DD</sub> = 5.0V	—	3.2	—	W
			V <sub>DD</sub> = 3.6V	—	1.6	—	
		THD+N = 1%, f = 1kHz, R = 4Ω	V <sub>DD</sub> = 5.0V	—	2.45	—	W
			V <sub>DD</sub> = 3.6V	—	1.3	—	
		THD+N = 10%, f = 1kHz, R = 8Ω	V <sub>DD</sub> = 5.0V	—	1.8	—	W
			V <sub>DD</sub> = 3.6V	—	0.95	—	
		THD+N = 1%, f = 1kHz, R = 8Ω	V <sub>DD</sub> = 5.0V	—	1.40	—	W
			V <sub>DD</sub> = 3.6V	—	0.72	—	
THD+N	Total Harmonic Distortion Plus Noise	V <sub>DD</sub> = 5.0V, P <sub>O</sub> = 1W, R = 8Ω	f = 1kHz	—	0.17	—	%
		V <sub>DD</sub> = 3.6V, P <sub>O</sub> = 0.1W, R = 8Ω		—	0.16	—	
		V <sub>DD</sub> = 5.0V, P <sub>O</sub> = 0.5W, R = 4Ω	f = 1kHz	—	0.14	—	%
		V <sub>DD</sub> = 3.6V, P <sub>O</sub> = 0.2W, R = 4Ω		—	0.16	—	
PSRR	Power Supply Ripple Rejection	V <sub>DD</sub> = 3.6V, Input AC-ground with C = 1μF	f = 217Hz	—	-75	—	dB
			f = 1kHz	—	-75	—	
Dyn	Dynamic Range	V <sub>DD</sub> = 5V, THD = 1%, R = 8Ω	f = 1kHz	—	95	—	dB
V <sub>N</sub>	Output Noise	Input AC-ground	No A weighting	—	60	—	μV
			A-weighting	—	40	—	
η	Efficiency	R <sub>L</sub> = 8Ω, THD = 10%	f = 1kHz	—	93	—	%
		R <sub>L</sub> = 4Ω, THD = 10%		—	86	—	
I <sub>Q</sub>	Quiescent Current	V <sub>DD</sub> = 5V	No Load	—	4	—	mA
I <sub>SD</sub>	Shutdown Current	V <sub>DD</sub> = 2.5V to 5V	S <sub>D</sub> = 0V	—	—	1	μA
R <sub>D(S(ON))</sub>	Static Drain-to-Source On-State Resistor	High Side PMOS, I = 500mA	V <sub>DD</sub> = 5.0V	—	200	—	mΩ
		Low Side NMOS, I = 500mA	V <sub>DD</sub> = 5.0V	—	200	—	mΩ
f <sub>SW</sub>	Switching Frequency	V <sub>DD</sub> = 2.5V to 5.5V	—	—	250	—	kHz
G <sub>v</sub>	Closed-Loop Gain	V <sub>DD</sub> = 2.5V to 5.5V	—	—	8	—	V/V
R <sub>IN</sub>	Input Impedance (In Chip)	V <sub>DD</sub> = 2.5V to 5.5V	—	—	31	—	KΩ
t <sub>ON</sub>	Turn-on Time	V <sub>DD</sub> = 2.5V to 5.5V	—	—	32	—	ms
OTP	Over Temperature Protection	V <sub>DD</sub> = 2.5V to 5.5V	—	—	+150	—	°C
OTH	Over Temperature Hysteresis	V <sub>DD</sub> = 2.5V to 5.5V	—	—	+40	—	
V <sub>OS</sub>	Output Offset Voltage	Input AC-ground, V <sub>DD</sub> = 5V	—	—	—	20	mV
V <sub>IH</sub>	EN Input High Voltage	V <sub>DD</sub> = 5V	—	1.4	—	—	V
V <sub>IL</sub>	EN Input Low Voltage	V <sub>DD</sub> = 5V	—	—	—	1.0	

**Performance Characteristics** (@  $T_A = +25^\circ\text{C}$ ,  $V_{DD} = 5\text{V}$ ,  $R_{IN} = 0$ , Gain = 18dB,  $R_L = L(33\mu\text{H})+R+L(33\mu\text{H})$ , unless otherwise specified.)

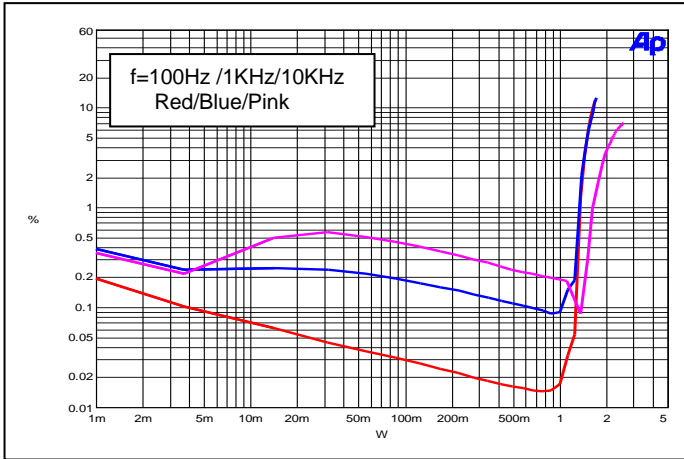
**THD+N vs. Output Power ( $V_{DD}=5\text{V}$ ,  $R_L=4\Omega$ )**



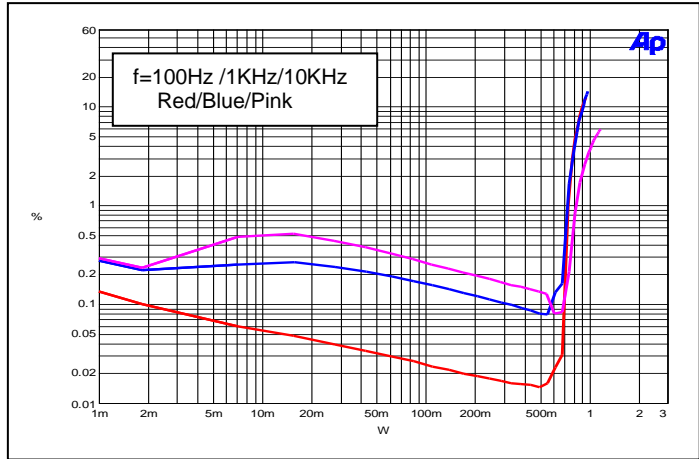
**THD+N vs. Output Power ( $V_{DD}=5\text{V}$ ,  $R_L=8\Omega$ )**



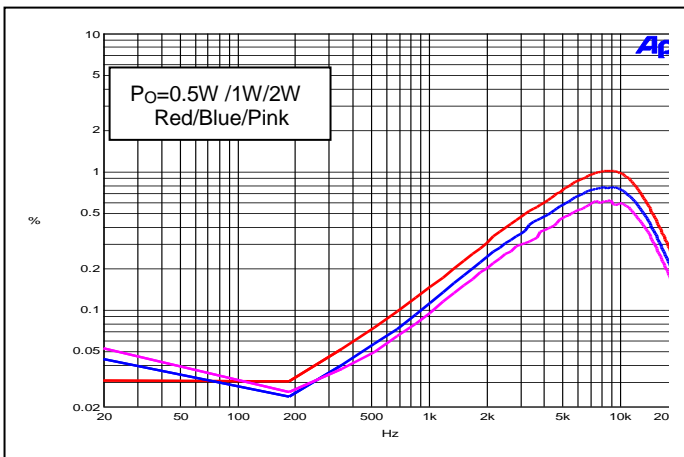
**THD+N vs. Output Power ( $V_{DD}=3.6\text{V}$ ,  $R_L=4\Omega$ )**



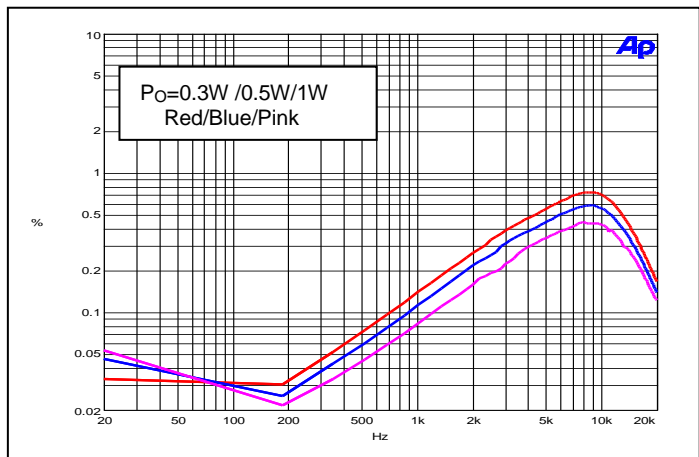
**THD+N vs. Output Power ( $V_{DD}=3.6\text{V}$ ,  $R_L=8\Omega$ )**



**THD+N vs. Frequency ( $V_{DD}=5.0\text{V}$ ,  $R_L=4\Omega$ )**

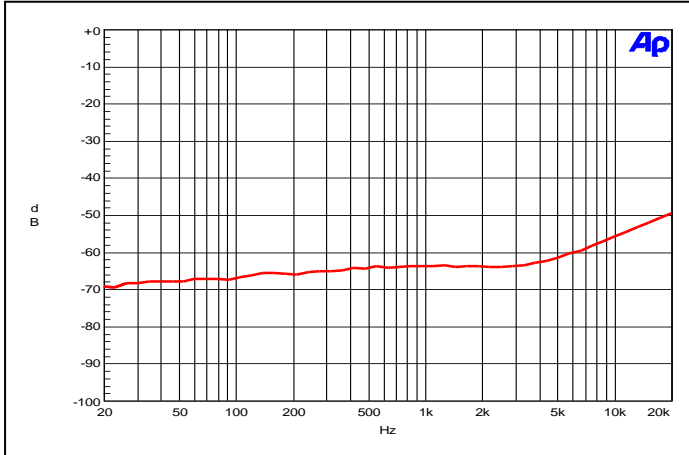


**THD+N vs. Frequency ( $V_{DD}=5.0\text{V}$ ,  $R_L=8\Omega$ )**

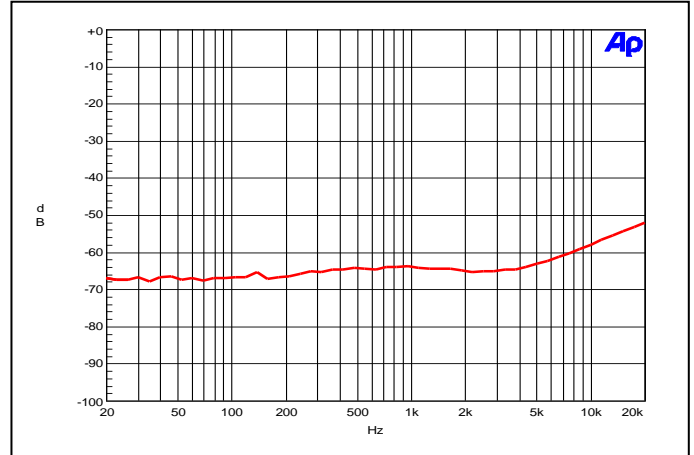


**Performance Characteristics** (@  $T_A = +25^\circ\text{C}$ ,  $V_{DD} = 5\text{V}$ ,  $R_{IN} = 0$ , Gain = 18dB,  $R_L = L(33\mu\text{H})+R+L(33\mu\text{H})$ , unless otherwise specified.)

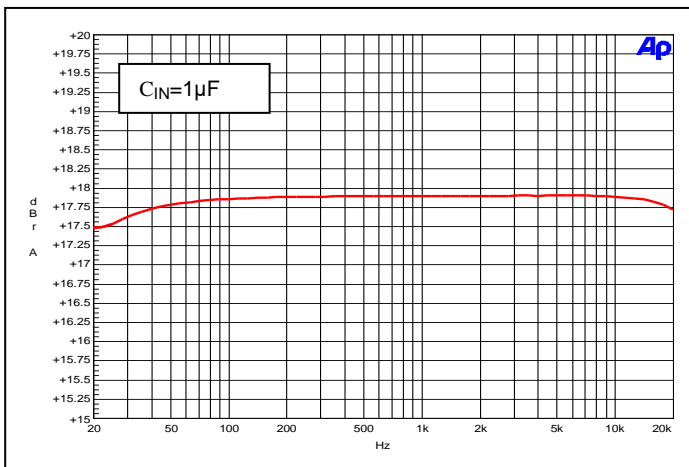
**PSRR vs. Frequency ( $V_{DD}=5.0\text{V}$ ,  $R_L=4\Omega$ )**



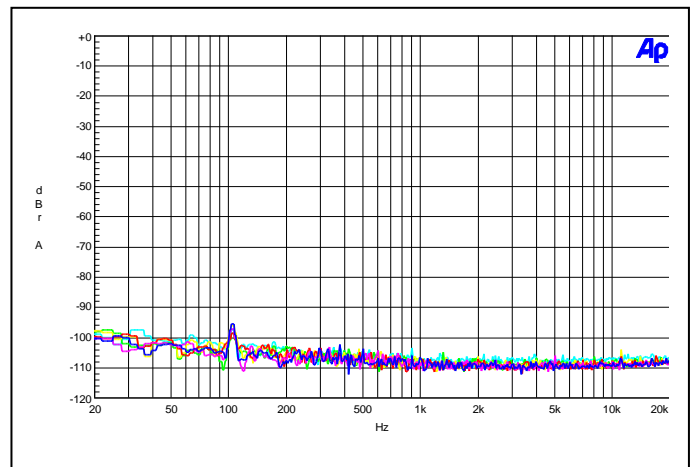
**PSRR vs. Frequency ( $V_{DD}=5.0\text{V}$ ,  $R_L=8\Omega$ )**



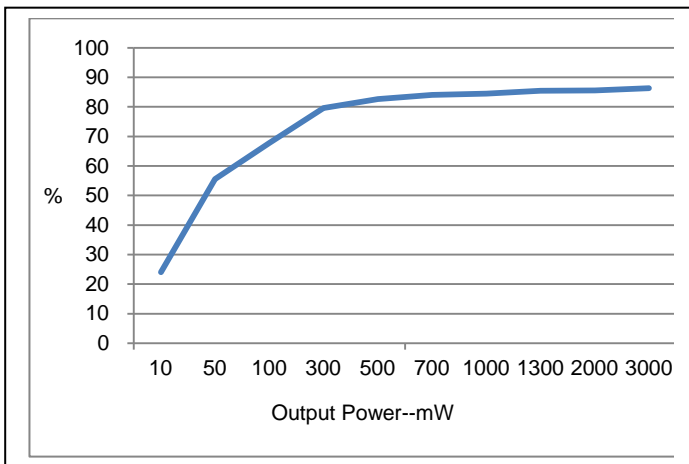
**Frequency Response**



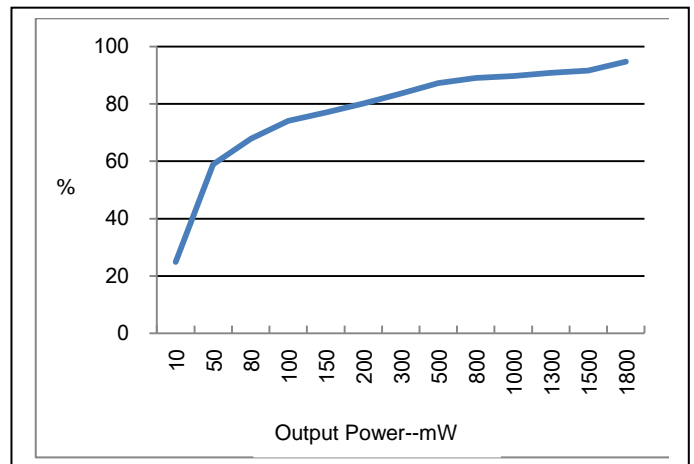
**Noise Floor**



**Efficiency vs. Output Power ( $V_{DD}=5.0\text{V}$ ,  $R_L=4\Omega$ )**



**Efficiency vs. Output Power ( $V_{DD}=5.0\text{V}$ ,  $R_L=8\Omega$ )**



## Application Information

### Close Loop Gain ( $G_V$ )

The close loop gain is set by the ratio of the input resistance  $R_{IN}$  and feedback resistance  $R_F$ (refer to block diagram), and the close loop gain equation is as follow:

$$G_V = 2 * \left( \frac{R_F}{R_{IN}} \right)$$

Which  $R_F$  is set at 124K $\Omega$  and  $R_{IN}$  is 31K $\Omega$ , the  $G_V$  default is 8V/V, which is 18dB.

### Input Capacitors ( $C_{IN}$ )

In the typical application, an input capacitor,  $C_{IN}$ , is required to allow the amplifier to bias the input signal to the proper DC level for optimum operation. In this case,  $C_{IN}$  and the input impedance  $R_{IN}$  form a high-pass filter with the corner frequency determined in the follow equation:

$$f_c = \left( \frac{1}{2\pi R_{IN} C_{IN}} \right)$$

It is important to consider the value of  $C_{IN}$  as it directly affects the low frequency performance of the circuit. For example, when  $R_{IN}$  is 31k $\Omega$  and the specification calls for a flat bass response are down to 150Hz. Equation is reconfigured as followed:

$$C_{IN} = \left( \frac{1}{2\pi R_{IN} f_c} \right)$$

When input resistance variation is considered, the  $C_{IN}$  is 7nF, so one would likely choose a value of 10nF. A further consideration for this capacitor is the leakage path from the input source through the input network  $C_{IN}$ ,  $R_{IN}$  and feedback resistor  $R_F$  to the load. This leakage current creates a DC offset voltage at the input to the amplifier that reduces useful headroom, especially in high gain applications. For this reason, a low-leakage tantalum or ceramic capacitor is the best choice. When polarized capacitors are used, the positive side of the capacitor should face the amplifier input in most applications as the DC level is held at  $V_{DD}/2$ , which is likely higher than the source DC level. Please note that it is important to confirm the capacitor polarity in the application.

### Decoupling Capacitor (CS)

The PAM8014 is a high-performance CMOS audio amplifier that requires adequate power supply decoupling to ensure the output total harmonic distortion (THD) as low as possible. Power supply decoupling also prevents the oscillations causing by long lead length between the amplifier and the speaker.

The optimum decoupling is achieved by using two different types of capacitors that target on different types of noise on the power supply leads. For higher frequency transients, spikes, or digital hash on the line, a good low equivalent-series-resistance (ESR) ceramic capacitor, typically 1 $\mu$ F, is placed as close as possible to the device  $V_{DD}$  pin for the best operation. For filtering lower frequency noise signals, a large ceramic capacitor of 10 $\mu$ F or greater placed near the audio power amplifier is recommended.

### How to Reduce EMI

Most applications require a ferrite bead filter for EMI elimination shown at Figure 1. The ferrite filter reduces EMI around 1MHz and higher. When selecting a ferrite bead, choose one with high impedance at high frequencies, but low impedance at low frequencies.

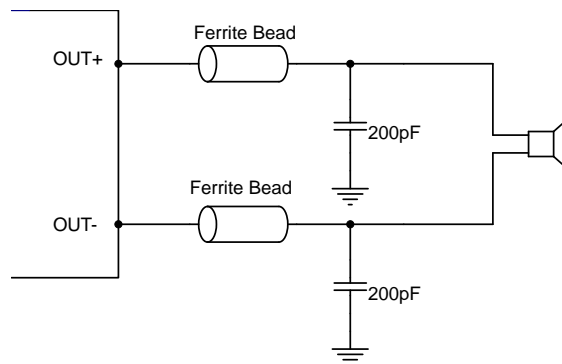


Figure 1. Ferrite Bead Filter to Reduce EMI

---

**Application Information** (continued)

---

**Shutdown Operation**

In order to reduce power consumption while not in use, the PAM8014 contains shutdown circuitry amplifier off when logic low is placed on the EN pin. By switching the shutdown pin connected to GND, the PAM8014 supply current draw will be minimized in idle mode.

**Under Voltage Lock-out (UVLO)**

The PAM8014 incorporates circuitry designed to detect low supply voltage. When the supply voltage drops to 2.0V or below, the PAM8014 goes into a state of shutdown, and the device comes out of its shutdown state and restore to normal function only when  $V_{DD}$  higher than 2.2V.

**Short Circuit Protection (SCP)**

The PAM8014 has short circuit protection circuitry on the outputs to prevent the device from damage when output-to-output shorts or output-to-GND shorts occur. When a short circuit occurs, the device immediately goes into shutdown state. Once the short is removed, the device will be reactivated.

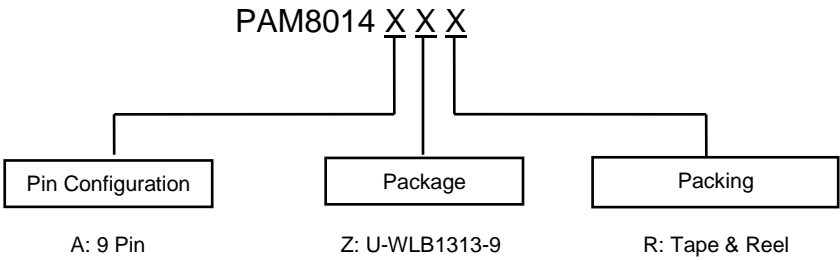
**Over Temperature Protection (OTP)**

Thermal protection on the PAM8014 prevents the device from damage when the internal die temperature exceeds +150°C. There is a +15°C tolerance on this trip point from device to device. Once the die temperature exceeds the set point, the device will enter the shutdown state and the outputs are disabled. This is not a latched fault. The thermal fault is cleared once the temperature of the die decreased by +40°C. This large hysteresis will prevent motor boating sound well and the device begins normal operation at this point with no external system interaction.

**POP and Click Circuitry**

The PAM8014 contains circuitry to minimize turn-on and turn-off transients or "click and pops", where turn-on refers to either power supply turn-on or device recover from shutdown mode. When the device is turned on, the amplifiers are internally muted. An internal current source ramps up the internal reference voltage. The device will remain in mute mode until the reference voltage reach half supply voltage,  $1/2 V_{DD}$ . As soon as the reference voltage is stable, the device will begin full operation. For the best power-off pop performance, the amplifier should be set in shutdown mode prior to removing the power supply voltage.

**Ordering Information** (Note 4)

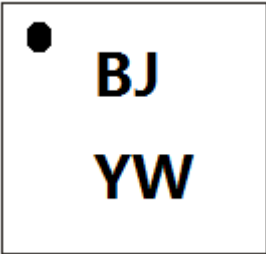


Part No.	Package	Packing		Status
		Qty.	Carrier	
PAM8014AZR	U-WLB1313-9	3000	Tape & Reel	Active

Note: 4. For packaging details, go to our website at <https://www.diodes.com/design/support/packaging/diodes-packaging/>.

**Marking Information**

U-WLB1313-9



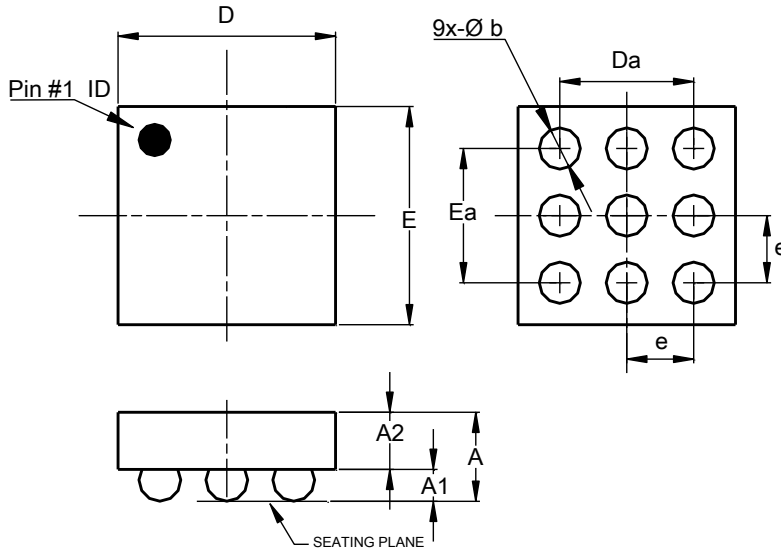
BJ: Product Code  
 Y: Year 0~9  
 W: Week: A~Z: 1~26 weeks;  
 a~z: 27~52 weeks; z  
 represents 52 and 53 weeks.



**Package Outline Dimensions**

Please see <http://www.diodes.com/package-outlines.html> for the latest version.

**U-WLB1313-9**

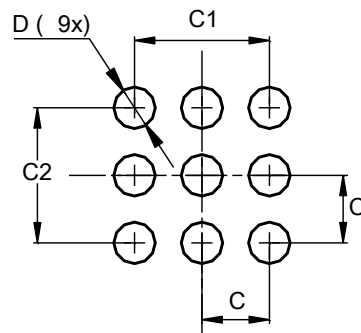


U-WLB1313-9			
Dim	Min	Max	Typ
A	0.500	0.600	0.550
A1	0.185	0.235	0.210
A2	0.315	0.365	0.340
b	0.208	0.308	0.258
D	1.240	1.320	1.280
Da	0.750	0.850	0.800
E	1.240	1.320	1.280
Ea	0.750	0.850	0.800
e	0.400 BSC		
All Dimensions in mm			

**Suggested Pad Layout**

Please see <http://www.diodes.com/package-outlines.html> for the latest version.

**U-WLB1313-9**



Dimensions	Value (in mm)
C	0.400
C1	0.800
C2	0.800
D	0.258

**Mechanical Data**

- Moisture Sensitivity: Level 1 per J-STD-020
- Terminals: Finish – Soder ball, Solderable per J-STD-002, Test B1 (e4)
- Weight: 2mg (Approximate)

**IMPORTANT NOTICE**

1. DIODES INCORPORATED AND ITS SUBSIDIARIES ("DIODES") MAKE NO WARRANTY OF ANY KIND, EXPRESS OR IMPLIED, WITH REGARDS TO ANY INFORMATION CONTAINED IN THIS DOCUMENT, INCLUDING, BUT NOT LIMITED TO, THE IMPLIED WARRANTIES OF MERCHANTABILITY, FITNESS FOR A PARTICULAR PURPOSE OR NON-INFRINGEMENT OF THIRD PARTY INTELLECTUAL PROPERTY RIGHTS (AND THEIR EQUIVALENTS UNDER THE LAWS OF ANY JURISDICTION).
2. The Information contained herein is for informational purpose only and is provided only to illustrate the operation of Diodes products described herein and application examples. Diodes does not assume any liability arising out of the application or use of this document or any product described herein. This document is intended for skilled and technically trained engineering customers and users who design with Diodes products. Diodes products may be used to facilitate safety-related applications; however, in all instances customers and users are responsible for (a) selecting the appropriate Diodes products for their applications, (b) evaluating the suitability of the Diodes products for their intended applications, (c) ensuring their applications, which incorporate Diodes products, comply the applicable legal and regulatory requirements as well as safety and functional-safety related standards, and (d) ensuring they design with appropriate safeguards (including testing, validation, quality control techniques, redundancy, malfunction prevention, and appropriate treatment for aging degradation) to minimize the risks associated with their applications.
3. Diodes assumes no liability for any application-related information, support, assistance or feedback that may be provided by Diodes from time to time. Any customer or user of this document or products described herein will assume all risks and liabilities associated with such use, and will hold Diodes and all companies whose products are represented herein or on Diodes' websites, harmless against all damages and liabilities.
4. Products described herein may be covered by one or more United States, international or foreign patents and pending patent applications. Product names and markings noted herein may also be covered by one or more United States, international or foreign trademarks and trademark applications. Diodes does not convey any license under any of its intellectual property rights or the rights of any third parties (including third parties whose products and services may be described in this document or on Diodes' website) under this document.
5. Diodes products are provided subject to Diodes' Standard Terms and Conditions of Sale (<https://www.diodes.com/about/company/terms-and-conditions/terms-and-conditions-of-sales/>) or other applicable terms. This document does not alter or expand the applicable warranties provided by Diodes. Diodes does not warrant or accept any liability whatsoever in respect of any products purchased through unauthorized sales channel.
6. Diodes products and technology may not be used for or incorporated into any products or systems whose manufacture, use or sale is prohibited under any applicable laws and regulations. Should customers or users use Diodes products in contravention of any applicable laws or regulations, or for any unintended or unauthorized application, customers and users will (a) be solely responsible for any damages, losses or penalties arising in connection therewith or as a result thereof, and (b) indemnify and hold Diodes and its representatives and agents harmless against any and all claims, damages, expenses, and attorney fees arising out of, directly or indirectly, any claim relating to any noncompliance with the applicable laws and regulations, as well as any unintended or unauthorized application.
7. While efforts have been made to ensure the information contained in this document is accurate, complete and current, it may contain technical inaccuracies, omissions and typographical errors. Diodes does not warrant that information contained in this document is error-free and Diodes is under no obligation to update or otherwise correct this information. Notwithstanding the foregoing, Diodes reserves the right to make modifications, enhancements, improvements, corrections or other changes without further notice to this document and any product described herein. This document is written in English but may be translated into multiple languages for reference. Only the English version of this document is the final and determinative format released by Diodes.
8. Any unauthorized copying, modification, distribution, transmission, display or other use of this document (or any portion hereof) is prohibited. Diodes assumes no responsibility for any losses incurred by the customers or users or any third parties arising from any such unauthorized use.

Copyright © 2021 Diodes Incorporated

[www.diodes.com](http://www.diodes.com)