

# BGA622

Silicon Germanium Wide Band Low Noise  
Amplifier with 2 kV ESD Protection

Small Signal Discretes



Never stop thinking

**Edition 2008-04-14**

**Published by Infineon Technologies AG,  
81726 München, Germany**

**© Infineon Technologies AG 2008.  
All Rights Reserved.**

**Attention please!**

The information herein is given to describe certain components and shall not be considered as a guarantee of characteristics.

Terms of delivery and rights to technical change reserved.

We hereby disclaim any and all warranties, including but not limited to warranties of non-infringement, regarding circuits, descriptions and charts stated herein.

**Information**

For further information on technology, delivery terms and conditions and prices please contact your nearest Infineon Technologies Office ([www.infineon.com](http://www.infineon.com)).

**Warnings**

Due to technical requirements components may contain dangerous substances. For information on the types in question please contact your nearest Infineon Technologies Office.

Infineon Technologies Components may only be used in life-support devices or systems with the express written approval of Infineon Technologies, if a failure of such components can reasonably be expected to cause the failure of that life-support device or system, or to affect the safety or effectiveness of that device or system. Life support devices or systems are intended to be implanted in the human body, or to support and/or maintain and sustain and/or protect human life. If they fail, it is reasonable to assume that the health of the user or other persons may be endangered.

---

**BGA622, Silicon Germanium Wide Band Low Noise Amplifier with 2 kV ESD Protection**

**Revision History: 2008-04-14, Rev. 2.2**

**Previous Version: 2005-11-16**

<b>Page</b>	<b>Subjects (major changes since last revision)</b>
All	Document layout change

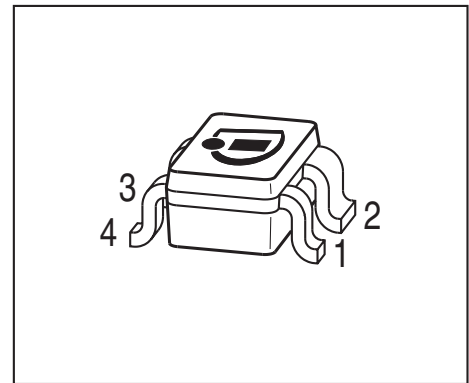
**Trademarks**

SIEGET<sup>®</sup> is a registered trademark of Infineon Technologies AG.

# 1 Silicon Germanium Wide Band Low Noise Amplifier with 2 kV ESD Protection

## Feature

- High gain
  - $|S_{21}|^2 = 15.0$  dB at 1.575 GHz
  - $|S_{21}|^2 = 14.2$  dB at 1.9 GHz
  - $|S_{21}|^2 = 13.6$  dB at 2.14 GHz
- Low noise figure,  $NF = 1.0$  dB at 1.575 GHz
- Operating frequency range 0.5 - 6 GHz
- Typical supply voltage: 2.75 V
- On/Off-Switch
- Output-match on chip, input pre-matched
- Low part count
- 70 GHz  $f_T$  - Silicon Germanium technology
- 2 kV HBM ESD protection (Pin-to-Pin)
- Pb-free (RoHS compliant) package



SOT343



## Applications

- LNA for GSM, GPS, DCS, PCS, UMTS, Bluetooth, ISM and WLAN

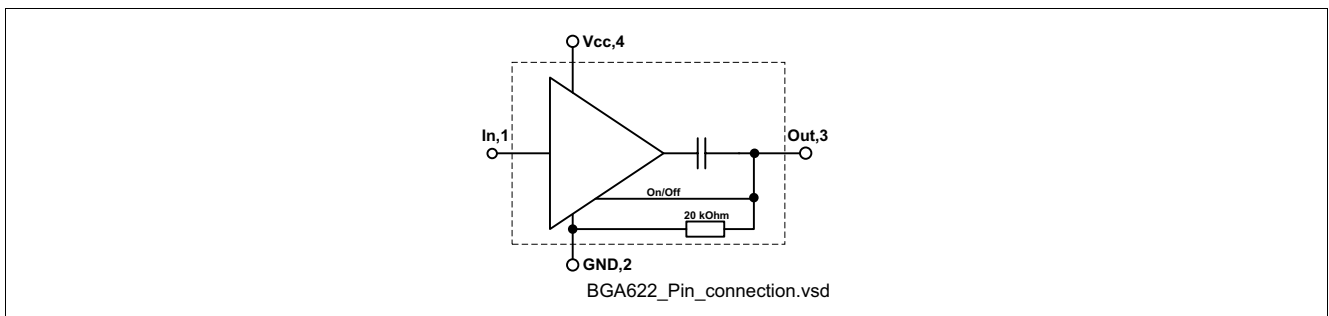


Figure 1 Pin connection

## Description

The BGA622 is a wide band low noise amplifier, based on Infineon Technologies' Silicon Germanium Technology B7HF. In order to provide the LNA in a small package the out-pin is simultaneously used for RF out and On/Off switch. This functionality can be accessed using a RF-Choke at the Out pin, where a DC level of 0 V or an open switches the device on and a DC level of  $V_{CC}$  switches the device off. While the device is switched off, it provides an insertion loss of 24 dB together with a high  $IIP_3$  up to 20 dBm.

Type	Package	Marking
BGA622	SOT343	BXs

Note: **ESD:** Electrostatic discharge sensitive device, observe handling precaution

---

**Silicon Germanium Wide Band Low Noise Amplifier with 2 kV ESD Protection**
**Maximum Ratings**
**Table 1 Maximum ratings**

Parameter	Symbol	Limit Value	Unit
Voltage at pin $V_{CC}$	$V_{CC}$	3.5	V
Voltage at pin Out	$V_{out}$	4	V
Current into pin In	$I_{in}$	0.1	mA
Current into pin Out	$I_{out}$	1	mA
Current into pin $V_{CC}$	$I_{V_{CC}}$	10	mA
RF input power	$P_{in}$	6	dBm
Total power dissipation, $T_S < 139\text{ °C}^{1)}$	$P_{tot}$	35	mW
Junction temperature	$T_J$	150	°C
Ambient temperature range	$T_A$	-65... 150	°C
Storage temperature range	$T_{STG}$	-65... 150	°C
ESD capability all pins (HBM: JESD22-A114)	$V_{ESD}$	2000	V

1)  $T_S$  is measured on the ground lead at the soldering point

*Note: All Voltages refer to GND-Node*

**Thermal resistance**
**Table 2 Thermal resistance**

Parameter	Symbol	Value	Unit
Junction - soldering point <sup>1)</sup>	$R_{thJS}$	300	K/W

1) For calculation of  $R_{thJA}$  please refer to Application Note Thermal Resistance

## 2 Electrical Characteristics

### 2.1 Electrical characteristics at $T_A = 25\text{ °C}$ (measured according to [Figure 2](#)) $V_{CC} = 2.75\text{ V}$ , Frequency = 1.575 GHz, unless otherwise specified

**Table 3 Electrical Characteristics**

Parameter	Symbol	Values			Unit	Note / Test Condition
		Min.	Typ.	Max.		
Insertion power gain	$ S_{21} ^2$		15.0		dB	
Insertion power gain (Off-State)	$ S_{21} ^2$		-27		dB	
Input return loss (On-State)	$RL_{in}$		5		dB	
Output return loss (On-State)	$RL_{out}$		12		dB	
Noise figure ( $Z_S = 50\ \Omega$ )	$F_{50\Omega}$		1.00		dB	$f = 0.1\text{ GHz}$
Input third order intercept point <sup>1)</sup> (On-State)	$IIP_3$		0		dBm	$\Delta f = 1\text{ MHz}$ , $P_{IN} = -28\text{ dBm}$
Input third order intercept point <sup>1)</sup> (Off - State)	$IIP_3$		20		dBm	$\Delta f = 1\text{ MHz}$ , $P_{IN} = -8\text{ dBm}$
Input power at 1 dB gain compression	$P_{-1dB}$		-16.5		dBm	
Total device off current	$I_{tot-off}$	130	260	420	$\mu\text{A}$	$V_{CC} = 2.75\text{ V}$ , $V_{out} = V_{CC}$
Total device on current	$I_{tot-on}$	4.0	5.8	7.8	mA	$V_{CC} = 2.75\text{ V}$
On / Off switch control voltage	$V_{on}$	0		0.8	V	$V_{CC} = 2.75\text{ V}$ ON-Mode: $V_{out} = V_{on}$
	$V_{off}$	2.0		3.5	V	$V_{CC} = 2.75\text{ V}$ OFF-Mode: $V_{out} = V_{off}$

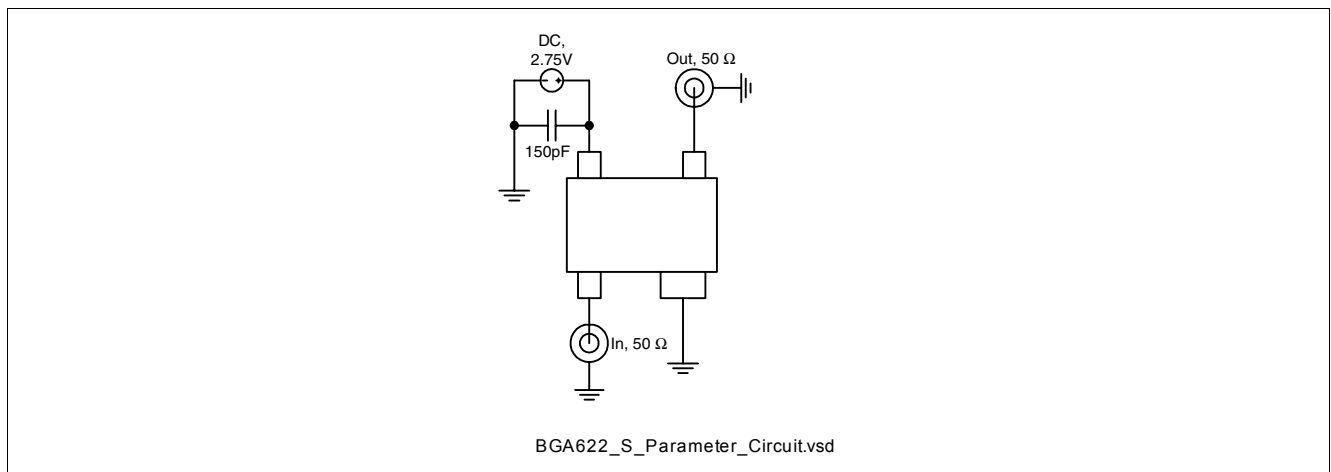
1)  $IP_3$  values depends on termination of all intermodulation frequency components. Termination used for this measurement is 50  $\Omega$  from 0.1 to 6 GHz

**2.2 Electrical characteristics at  $T_A = 25\text{ }^\circ\text{C}$  (measured according to [Figure 2](#))  
 $V_{CC} = 2.75\text{ V}$ , Frequency = 2.14 GHz, unless otherwise specified**

**Table 4 Electrical Characteristics**

Parameter	Symbol	Values			Unit	Note / Test Condition
		Min.	Typ.	Max.		
Insertion power gain	$ S_{21} ^2$		13.6		dB	
Insertion power gain (Off-State)	$ S_{21} ^2$		-24		dB	
Input return loss (On-State)	$RL_{in}$		7		dB	
Output return loss (On-State)	$RL_{out}$		10		dB	
Noise figure ( $Z_S = 50\ \Omega$ )	$F_{50\Omega}$		1.05		dB	
Input third order intercept Point <sup>1)</sup> (On-State)	$IIP_3$		3		dBm	$\Delta f = 1\text{ MHz}$ , $P_{IN} = -28\text{ dBm}$
Input third order intercept point <sup>1)</sup> (Off-State)	$IIP_3$		20		dBm	$\Delta f = 1\text{ MHz}$ , $P_{IN} = -8\text{ dBm}$
Input power at 1 dB gain compression	$P_{-1dB}$		-13		dBm	

1)  $IP_3$  values depends on termination of all intermodulation frequency components. Termination used for this measurement is  $50\ \Omega$  from 0.1 to 6 GHz



**Figure 2 S-Parameter Test Circuit (loss-free microstrip test-fixture)**

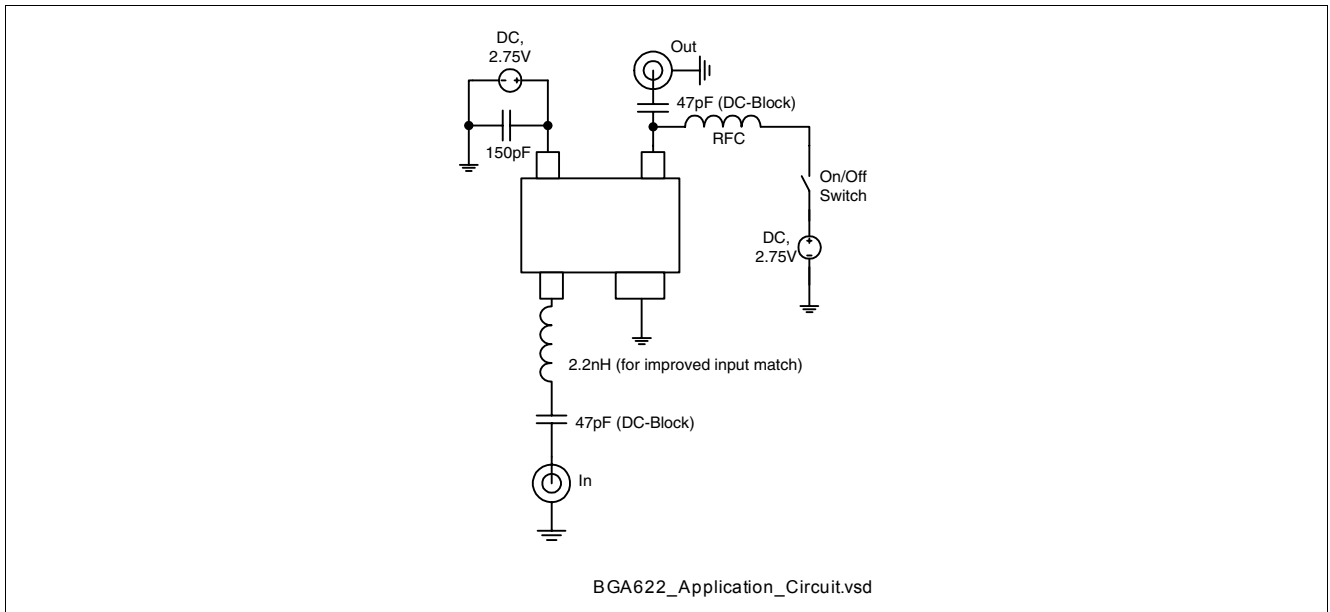
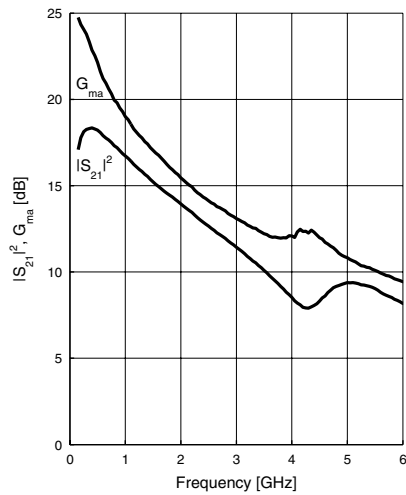


Figure 3 Application Circuit for 1800 - 2500 MHz

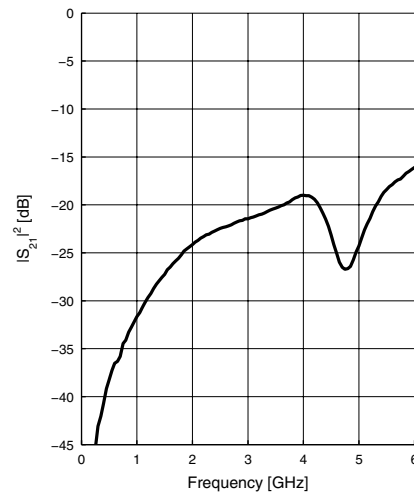


### 3 Measured Parameters

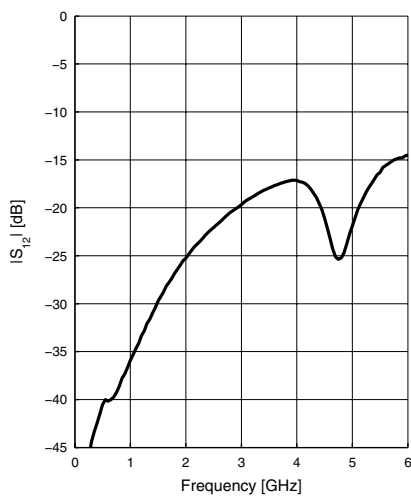
**Power Gain**  $|S_{21}|^2, G_{ma} = f(f)$   
 $V_{CC} = 2.75V, I_{tot-on} = 5.8mA$



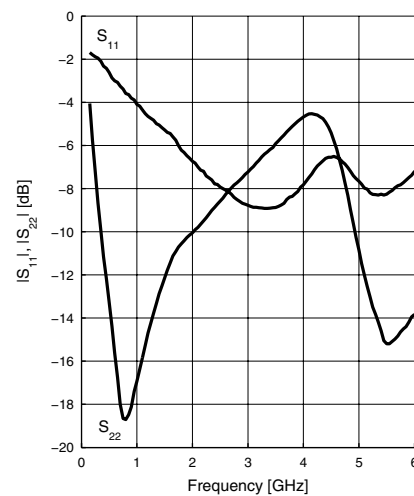
**Off Gain**  $|S_{21}|^2 = f(f)$   
 $V_{CC} = 2.75V, V_{OUT} = 2.75V, I_{tot-off} = 0.3mA$



**Reverse Isolation**  $|S_{12}| = f(f)$   
 $V_{CC} = 2.75V, I_{tot-on} = 5.8mA$



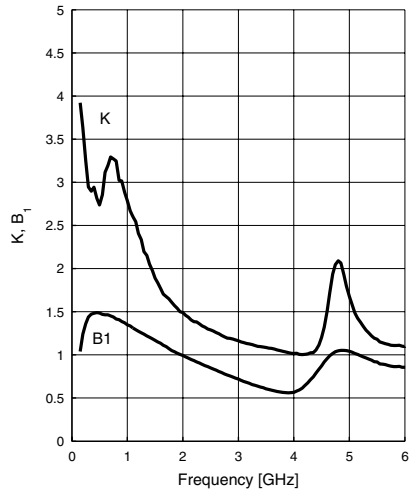
**Matching**  $|S_{11}|, |S_{22}| = f(f)$   
 $V_{CC} = 2.75V, I_{tot-on} = 5.8mA$



Measured Parameters

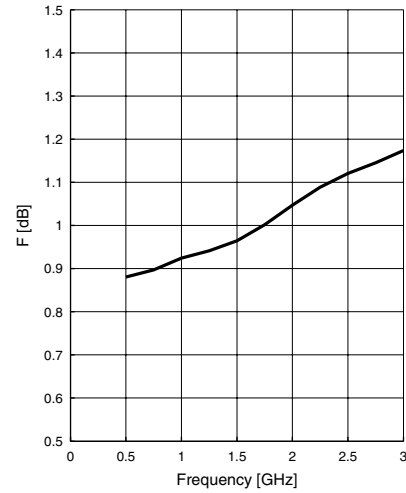
**Stability K, B<sub>1</sub> = f(f)**

V<sub>CC</sub> = 2.75V, I<sub>tot-on</sub> = 5.8mA



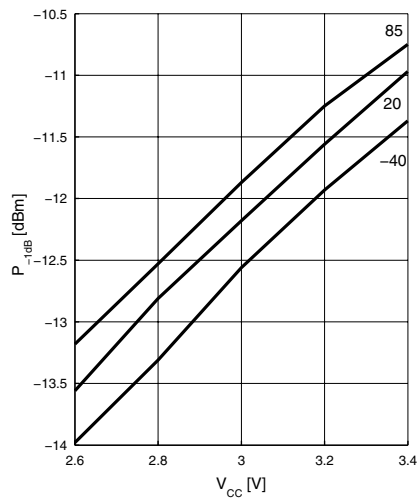
**Noise Figure F = f(f)**

V<sub>CC</sub> = 2.75V, I<sub>tot-on</sub> = 5.8mA, Z<sub>S</sub> = 50Ω



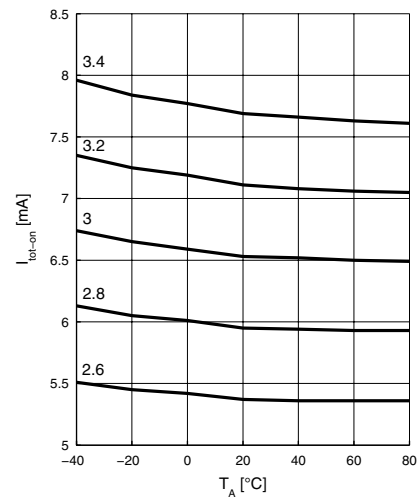
**Input Compression Point P<sub>-1dB</sub> = f(V<sub>CC</sub>)**

f = 2.14GHz, T<sub>A</sub> = parameter in °C

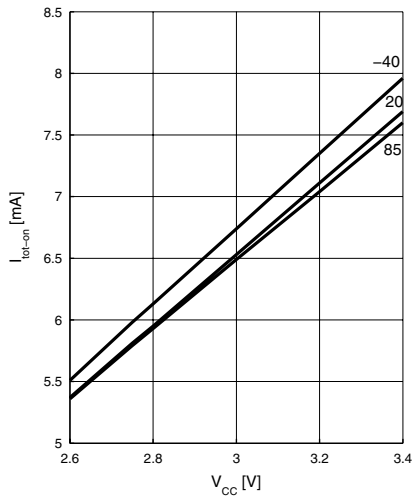


**Device Current I<sub>tot-on</sub> = f(T<sub>A</sub>, V<sub>CC</sub>)**

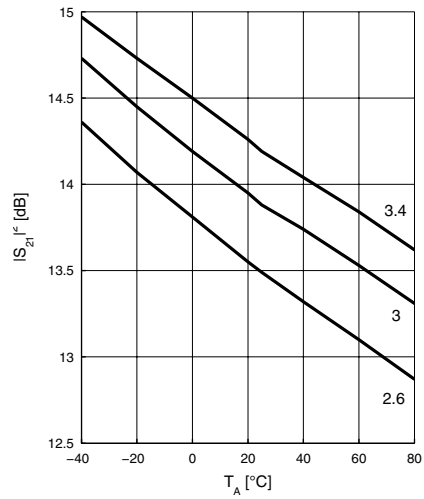
V<sub>CC</sub> = parameter in V



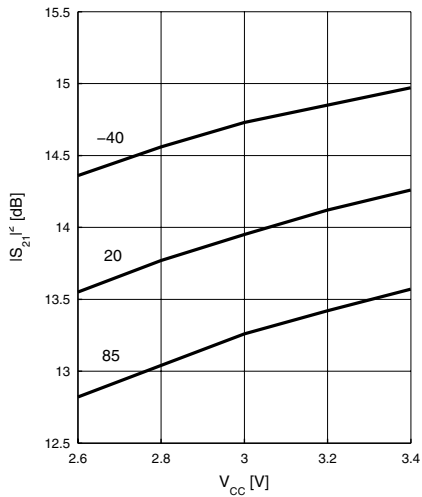
**Device Current**  $I_{\text{tot-on}} = f(V_{\text{CC}}, T_A)$   
 $T_A$  = parameter in °C



**Power Gain**  $|S_{21}|^2 = f(T_A, V_{\text{CC}})$   
 $f = 2.14\text{GHz}$ ,  $V_{\text{CC}}$  = parameter in V



**Power Gain**  $|S_{21}|^2 = f(V_{\text{CC}}, T_A)$   
 $f = 2.14\text{GHz}$ ,  $T_A$  = parameter in °C



## 4 Package Information

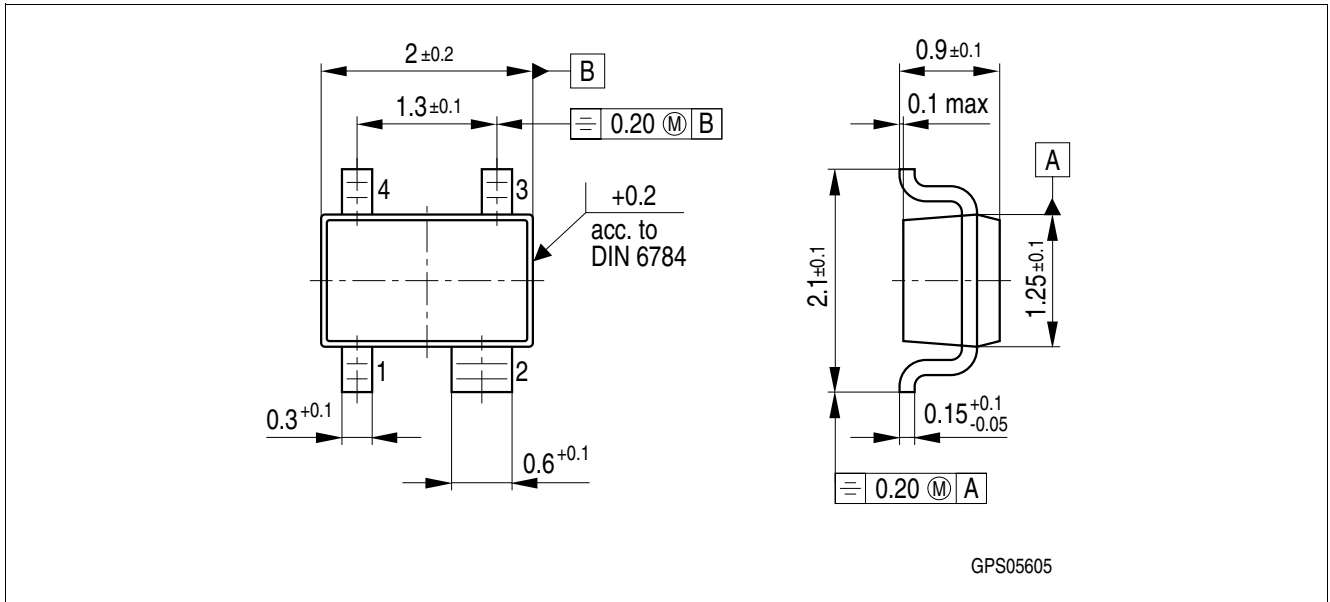


Figure 4 Package Outline SOT343

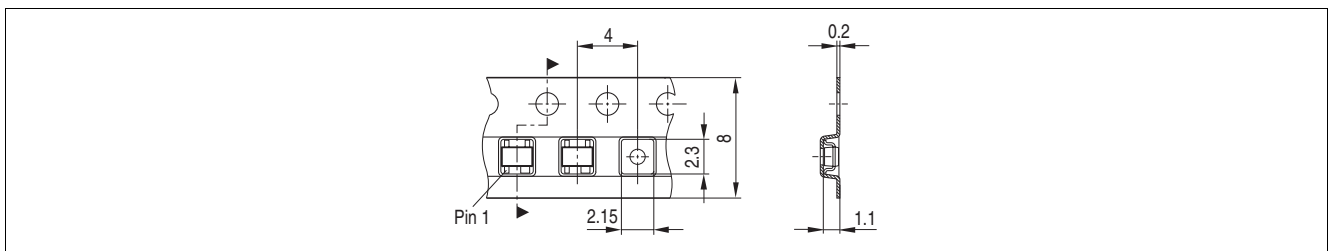


Figure 5 Tape for SOT343