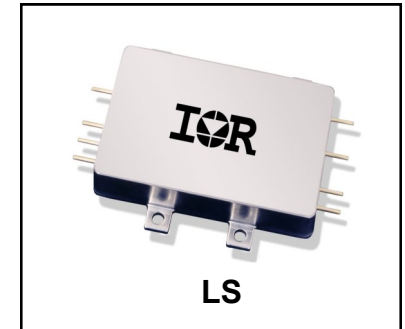


HYBRID-HIGH RELIABILITY RADIATION HARDENED DC-DC CONVERTER

28V Input, Single/Dual Output



Description

The LS-Series of DC-DC converters are, high reliability devices designed for hostile radiation hardened environments. The LS-Series provide up to 30 watts output power, small size, low weight, integrated EMI filtering and a high tolerance to environmental stresses such as radiation, temperature extremes, mechanical shock, and vibration. Extensive documentation including, thermal analysis, stress analysis and reliability predictions are available.

The LS-Series of converters incorporate a fixed frequency single forward topology with magnetic feedback and an internal EMI filter. These converters are capable of meeting the conducted emissions requirements of MIL-STD-461C without any additional components. All models include an external inhibit port and have an adjustable output voltage. They are enclosed in a hermetic 1.5" x 2.3" x 0.425" steel package and weigh less than 80 grams. The package utilizes rugged ceramic feed-through copper core pins and is sealed using parallel seam welding.

The LS-Series of DC-DC converters provide same mechanical outline, power ratings, for backward pin compatibility, to their lower radiation tolerant counterpart M3L and Military series ATS DC-DC converters. The common platform design allows for similarity between military and space system architectures. For higher output power applications the HM, M3H and M3G-Series of DC-DC converters are recommended.

Manufactured in a facility fully qualified to MIL-PRF-38534, these converters are fabricated utilizing DLA Land and Maritime qualified processes. For available screening options, refer to device screening table in the data sheet.

Variations in electrical specifications and screening to meet custom requirements can be accommodated.

Features

- 18 to 40V DC Input Range
- Total Ionization Dose > 100 kRad(Si)
- SEE Hardened to LET (Heavy Ions) up to 82 MeV•cm²/mg (SEU, SEL, SEGB, SEGR)
- Internal EMI filter; Converter Capable of meeting MIL-STD-461C CE03
- Low Weight, < 80 grams
- Magnetically Coupled Feedback
- Up to 30W Output Power
- Single and Dual Output Models Include 1.5, 2.5, 3.3, 5, 12, 15, ±5, ±12 and ±15V
- High Efficiency - to 83%
- 100MΩ @ 500V_{DC} Isolation
- Under Voltage Protection
- Short Circuit and Overload Protection
- Adjustable Output Voltage
- External Inhibit
- > 4,000,000 Hour MTBF (SF)
- Standard Microcircuit Drawings Available

Applications

- Geo Synchronous Satellite
- Low Earth Orbit
- Deep Space Probe
- Communication and Display Systems
- Payload and Experiment LVPS

Circuit Description

The LS-Series converters utilize a single-ended forward topology with resonant reset. The nominal switching frequency is 500 kHz. Electrical isolation and tight output regulation are achieved through the use of a magnetically coupled feedback. Voltage feed-forward with duty factor limiting provides high line rejection and protection against output over voltage in the event of an internal control loop failure.

An internal EMI filter allows the converter to meet the conducted emissions requirements of MIL-STD-461C on the input power leads.

Output current is limited under any load fault condition to approximately 125% of rated. An overload condition causes the converter output voltage to drop below nominal. The converter will resume normal operation when the load current is reduced below the current limit point. This protects the converter from both overload and short circuit conditions. The current limit point exhibits a slightly negative temperature coefficient to reduce the possibility of thermal runaway.

An external inhibit port is provided to control converter operation. The converter's operation is inhibited when this pin is pulled low. It is intended to be driven by an open collector logic device. The pin may be left open for normal operation and has a nominal open circuit voltage of 11V with respect to the input return (pin 2).

The output voltage of all models can be adjusted using a single external resistor.

Design Methodology

The LS-Series was developed using a proven conservative design methodology derived from other space level designs that includes selection of established reliability components and fully de-rating to the requirements of MIL-STD-975 except for the CDR type of capacitors, a capacitor with 50V rating is used for in-circuit voltage stress of less than 10V. A magnetic feedback circuit is utilized instead of opto-couplers to minimize temperature, aging and radiation sensitivity. PSPICE was used extensively to predict and optimize circuit performance for both beginning and end-of-life. Thorough design analyses include stress, thermal, and reliability (MTBF).

Specifications

Absolute Maximum Ratings		Recommended Operating Conditions	
Input Voltage range	-0.5V _{DC} to +60V _{DC}	Input Voltage range ¹	+18V _{DC} to +40V _{DC}
Output power	Internally limited	Output power	0 to Max. Rated
Lead Temperature	+300°C for 10 seconds	Operating case temperature	-55°C to +85°C
Operating Case temperature	-55°C to +125°C (Note 13)	Operating case temperature ²	-55°C to +70°C
Storage temperature	-55°C to +135°C		

1. Meets MIL-STD-1547, MIL-STD-975 and NASA EEE-INST-002 up to the input voltage at 38.6V.
2. Meets de-rating per MIL-STD-975

Electrical Performance Characteristics

Parameter	Group A Subgroup	Conditions -55°C ≤ T _C ≤ +85°C V _{IN} = 28V DC ± 5%, C _L = 0 unless otherwise specified	Limits			Unit	
			Min	Nom	Max		
Input Voltage			18	28	40	V	
Output Voltage (V _{OUT})							
LS2801R5S	1	I _{OUT} = 100% rated load Note 4	1.47	1.50	1.53	V	
LS2802R5S	1		2.47	2.50	2.53		
LS2803R3S	1		3.27	3.30	3.33		
LS2805S	1		4.95	5.00	5.05		
LS2812S	1		11.88	12.00	12.12		
LS2815S	1		14.85	15.00	15.15		
LS2805D	1		±4.95	±5.00	±5.05		
LS2812D	1		±11.88	±12.00	±12.12		
LS2815D	1		±14.85	±15.00	±15.15		
LS2801R5S	2,3	I _{OUT} = 100% rated load Note 4, 14	1.43		1.57	V	
LS2802R5S	2,3		2.43		2.57		
LS2803R3S	2,3		3.23		3.37		
LS2805S	2,3		4.90		5.10		
LS2812S	2,3		11.76		12.24		
LS2815S	2,3		14.70		15.30		
LS2805D	2,3		±4.90		±5.10		
LS2812D	2,3		±11.76		±12.24		
LS2815D	2,3		±14.70		±15.30		
Output power (P _{OUT})							
LS2801R5S	1,2,3	V _{IN} = 18, 28, 40 Volts, Note 2	0		12	W	
LS2802R5S			0		20		
LS2803R3S			0		25		
All Others			0		30		
Output current (I _{OUT})							
LS2801R5S	1,2,3	V _{IN} = 18, 28, 40 Volts, Note 2	0		8.0	A	
LS2802R5S			0		8.0		
LS2803R3S			0		7.57		
LS2805S			0		6.0		
LS2812S			0		2.5		
LS2815S			0		2.0		
LS2805D			0	Either Output, Note 3	0		4.8
LS2812D			0	Either Output, Note 3	0		2.3
LS2815D			0	Either Output, Note 3	0		1.6

For Notes to Electrical Performance Characteristics, refer to page 6.

Electrical Performance Characteristics (continued)

Parameter	Group A Subgroup	Conditions -55°C ≤ T _C ≤ +85°C V _{IN} = 28V DC ± 5%, C _L = 0 unless otherwise specified	Limits			Unit
			Min	Nom	Max	
Line regulation (VR _{LINE})	1,2,3	V _{IN} = 18, 28, 40 Volts I _{OUT} = 0, 50%, 100% rated, Note 4	-0.5		0.5	%
Load regulation (VR _{LOAD}) LS2801R5S LS2802R5S All others	1,2,3	V _{IN} = 18, 28, 40 Volts I _{OUT} = 0, 50%, 100% rated, Note 4	-2.0 -1.2 -1.0		2.0 1.2 1.0	%
Cross regulation (VR _{CROSS}) LS2805D LS2812D LS2815D	1,2,3	V _{IN} = 18, 28, 40 Volts Duals only, Note 5	-5.0 -3.0 -3.0		5.0 3.0 3.0	%
Input Current, no load (I _{IN}) LS2801R5S LS2802R5S LS2803R3S LS2805S LS2812S LS2815S LS2805D LS2812D LS2815D	1,2,3	I _{OUT} = 0, Pin 4 open			60 60 60 70 70 70 70 100 100	mA
Input current inhibited	1,2,3	Pin 4 shorted to pin 2			8.0	mA
Output Ripple, (V _{RIP}) LS2801R5S LS2802R5S LS2803R3S LS2805S LS2812S LS2815S LS2805D LS2812D LS2815D	1,2,3	V _{IN} = 18, 28, 40 Volts I _{OUT} = 100% rated load Notes 4, 6			35 35 35 50 70 80 80 80 80	mVp-p
Switching frequency (F _S)	1,2,3		425	500	575	kHz
Efficiency (E _{FF}) LS2801R5S LS2802R5S LS2803R3S LS2805S LS2812S LS2815S LS2805D LS2812D LS2815D	1,2,3	I _{OUT} = 100% rated load Note 4	61 68 72 78 78 78 79 79 79	64 71 76 82 82 82 83 83 83		%

For Notes to Electrical Performance Characteristics, refer to page 6.

Electrical Performance Characteristics (continued)

Parameter	Group A Subgroup	Conditions -55°C ≤ T _C ≤ +85°C V _{IN} = 28V DC ± 5%, C _L = 0 unless otherwise specified	Limits			Unit
			Min	Nom	Max	
Enable Input (Inhibit Function) open circuit voltage drive current (sink) voltage range		Note 1	9.5 -0.5		12 5.0 50	V mA V
Current Limit Point Expressed as a percentage of full rated load current	1,2,3	V _{OUT} = 90% of Nominal, Note 4	105		145	%
Power dissipation, load fault (P _D)	1,2,3	Short Circuit, Overload, Note 8			14	W
Output response to step load changes (V _{TLD})	4,5,6	Half Load to/from Full Load, Notes 4,9	-300		300	mVpk
Recovery time, step load changes (T _{TLD})	4,5,6	Half Load to/from Full Load, Note 4,9,10			200	μs
Output response to step line changes (V _{TLN})		18V to/from 40V I _{OUT} = 100% rated load, Notes 1,4,11	-300		300	mVpk
Recovery Time, step line changes (T _{TLN})		18V to/from 40V I _{OUT} = 100% rated load, Notes 1,4,10,11			200	μs
Turn-on Overshoot (V _{OS}) LS2801R5S LS2802R5S LS2803R3S LS2805S LS2812S LS2815S LS2805D LS2812D LS2815D Turn-on Delay (T _{DLY})	4,5,6	10% Load, Full Load Notes 4,12			150 250 330 500 1000 1000 500 1000 1000 10	mV ms
Capacitive Load (C _L) LS2801R5S LS2802R5S LS2803R3S LS2805S LS2812S LS2815S LS2805D LS2812D LS2815D		I _{OUT} = 100% rated load No effect on DC performance Notes 1, 4, 7 Each output on duals			2500 2500 2200 1000 180 120 500 90 60	μF

For Notes to Electrical Performance Characteristics, refer to page 6

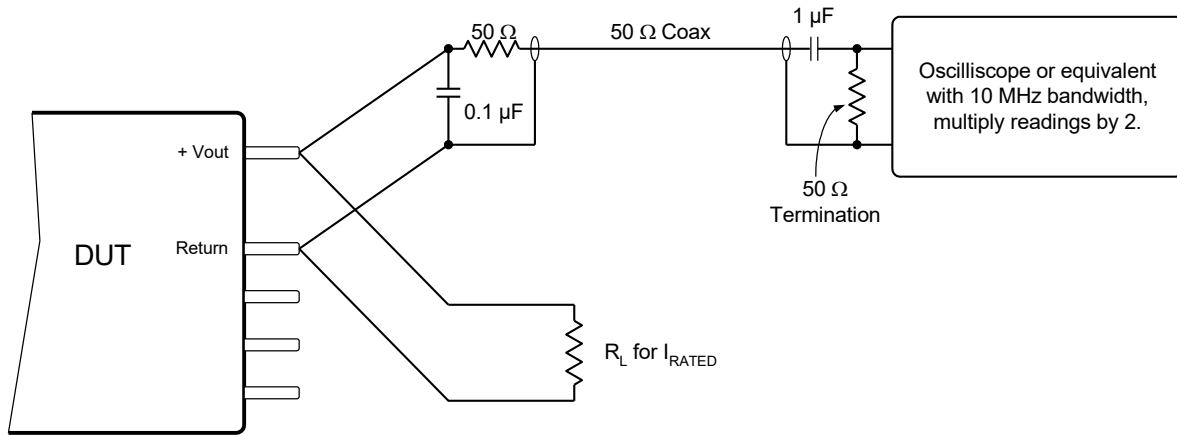
Electrical Performance Characteristics (continued)

Parameter	Group A Subgroup	Conditions -55°C ≤ T _C ≤ +85°C V _{IN} = 28V DC ± 5%, C _L = 0 unless otherwise specified	Limits			Unit
			Min	Nom	Max	
Line Rejection	1	I _{OUT} = 100% rated load DC to 50 kHz, Notes 1, 4	35	50		dB
Isolation	1	Input to Output or Any Pin to Case except Pin 3, test @ 500V _{DC}	100			MΩ
Device Weight					80	g
MTBF		MIL-HDBK-217F2, SF, 35°C	4.0 x 10 ⁶			Hr

Notes for Electrical Performance Characteristics Table

- Parameter is tested as part of design characterization or after design changes. Thereafter, parameter shall be guaranteed to the limits specified.
- Parameter verified during line and load regulation tests.
- Output load current must be distributed such that at least 20% of the total load current is being provided by one of the outputs.
- Load current split equally between outputs on dual output models.
- Cross regulation is measured with 20% rated load on output under test while changing the load on the other output from 20% to 80% of rated.
- Guaranteed for a D.C. to 20MHz bandwidth. Tested using a 20kHz to 10MHz bandwidth using the circuit on page 6.
- Capacitive load may be any value from 0 to the maximum limit without compromising dc performance. For a capacitive load in excess of the maximum limit, consult the factory.
- Overload power dissipation is defined as the device power dissipation with the load set such that V_{OUT} = 90% of nominal.
- Load step transition time ≤ 10μs.
- Recovery time is measured from the initiation of the transient to where V_{OUT} has returned to within ±1% of its steady state value.
- Line step transition time ≤ 100μs.
- Turn-on delay time from either a step application of input power or a logic low to a logic high transition on the inhibit pin (pin 4) to the point where V_{OUT} = 90% of nominal.
- For operation at temperatures between +85°C and 125°C, de-rate the maximum output power linearly from 100% to 75%.
- End of Life (EOL) is ±3%

Fig. 1 - Circuit for measuring Output Ripple Voltage



Radiation Performance Characteristics

Test Inspection	Method	Min	Typ	Unit
Total Ionizing Dose (Gamma)	MIL-PRF-883, Method 1019.5 Operating bias applied during exposure, Full Rated Load, $V_{IN} = 28V$	100		kRads(Si)
Single Event Effects SEU, SEL, SEGR, SEB	Heavy Ions (LET) Operating bias applied during exposure, Full Rated Load, $V_{IN} = 28V$ Test lab: Cyclotron Institute Texas A & M University	82		MeV•cm ² /mg

IR HiRel currently does not have a DLA Land and Maritime certified Radiation Hardness Assurance Program.

LS Series Output Voltage Adjustment

Output of LS series can be adjusted to be greater or less than the nominal output voltage with an external resistor. However, the ranges of the output voltages are limited depending on the model as specified in Table 1 and 2. An approximate value of the resistor can be determined using the following formula.

For Single Output Model:

$$R_{adj} = \frac{A - (B * V_{out})}{(C * V_{out}) - D}$$

For Dual Output Model:

$$R_{adj} = \frac{A - (B * 2 * V_{out})}{(C * 2 * V_{out}) - D}$$

Where:

R_{adj} is the value of the external resistor in kilo-Ohms, R_{down} or R_{up} in Figure 1 or 2. Power rating of the resistor shall be ≥ 0.125W. Metal film resistor with temperature coefficient of ≤ ±50 ppm and tolerance of ≤ 1% is recommended. However, the final selection is dependent on specific design requirements.

V_{ovp} is the output voltage in volts.

A, B, C and D are unique constants depending on every model as shown in Table 1 for single output models and Table 2 for dual output models.

Table 1: Single Output Voltage Ranges and Constants

Model	Output Voltage Range (V) (1)	A	B	C	D
LS2801R5S	1.500 to 1.600	69.65	32.39	8.75	13.13
	1.400 to 1.500	56.85	40.47	7.14	10.72
LS2802R5S	2.500 to 2.750	48.42	13.04	3.52	8.81
	2.250 to 2.500	39.52	21.19	2.88	7.19
LS2803R3S	3.300 to 3.630	43.48	9.25	2.50	8.25
	2.970 to 3.300	35.48	16.18	2.04	6.73
LS2805S	5.000 to 5.500	119.48	20.00	2.27	11.36
	4.500 to 5.000	97.52	29.31	1.85	9.27
LS2812S	12.000 to 13.200	295.22	19.98	2.27	27.24
	10.800 to 12.000	241.01	53.31	1.85	22.24
LS2815S	15.000 to 16.500	370.61	19.98	2.27	34.05
	13.500 to 15.000	302.55	63.61	1.85	27.80

Table 2: Dual Output Voltage Ranges and Constants

Model	Voltage Range of Each Output ($\pm V_{out}$) (1)	A	B	C	D
LS2805D	± 5.000 to ± 5.500	196.91	17.12	1.71	17.12
	± 4.500 to ± 5.000	160.74	31.11	1.40	13.97
LS2812D	± 12.000 to ± 13.200	475.43	17.05	1.71	40.92
	± 10.800 to ± 12.000	388.10	58.04	1.39	33.41
LS2815D	± 15.000 to ± 16.500	594.31	17.03	1.70	51.09
	± 13.500 to ± 15.000	485.10	69.47	1.39	41.70

Note:

(1). Also the minimum and maximum adjustment limits of the output voltage.

Placement of Radj

An external resistor must be added in order to trim the output voltage of an LS converter. The placement of an Radj resistor (Rdown or Rup) must be as shown in Figure 1 for single output models and as per Figure 2 for dual output models. Please note that the connections are made to the specific pins. Rup is placed across Out Return and Out Adj pins for output voltage greater than nominal output. Similar connections apply for the dual output models.

Figure 1: Radj Placement for Single Output Model

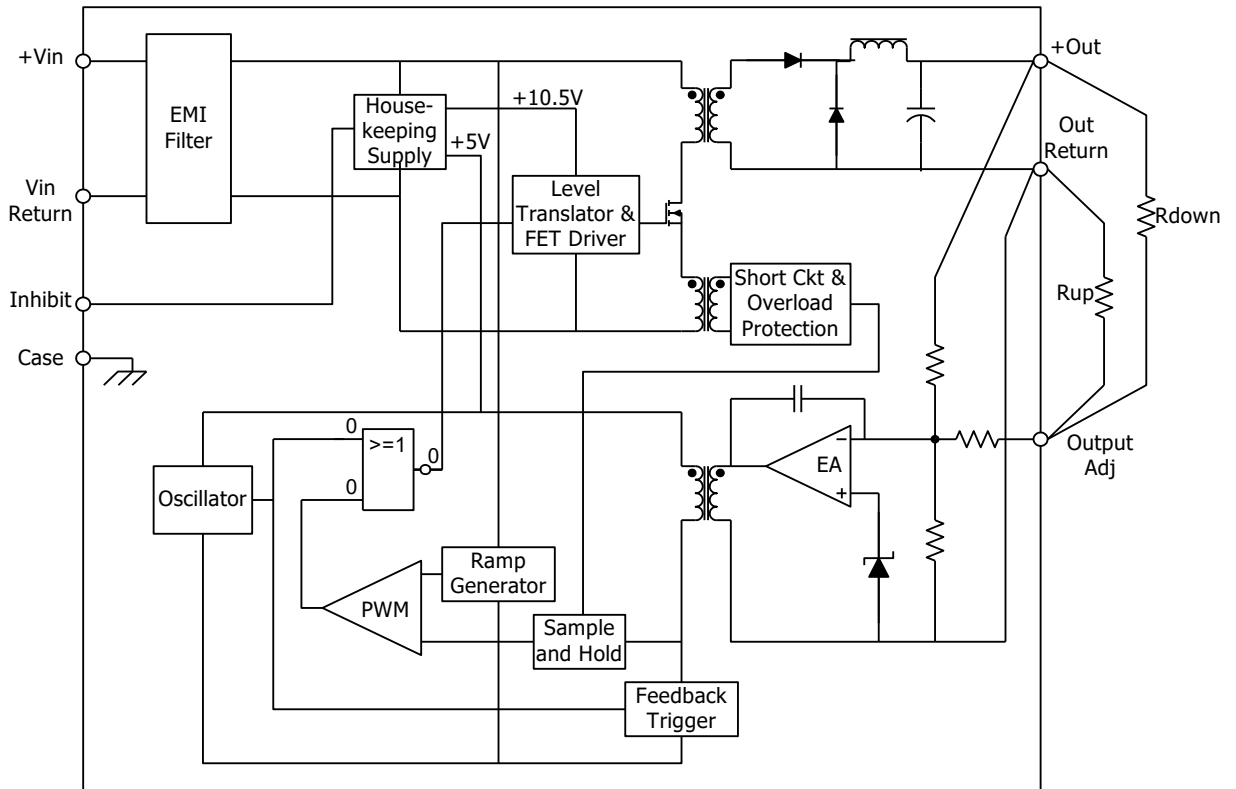
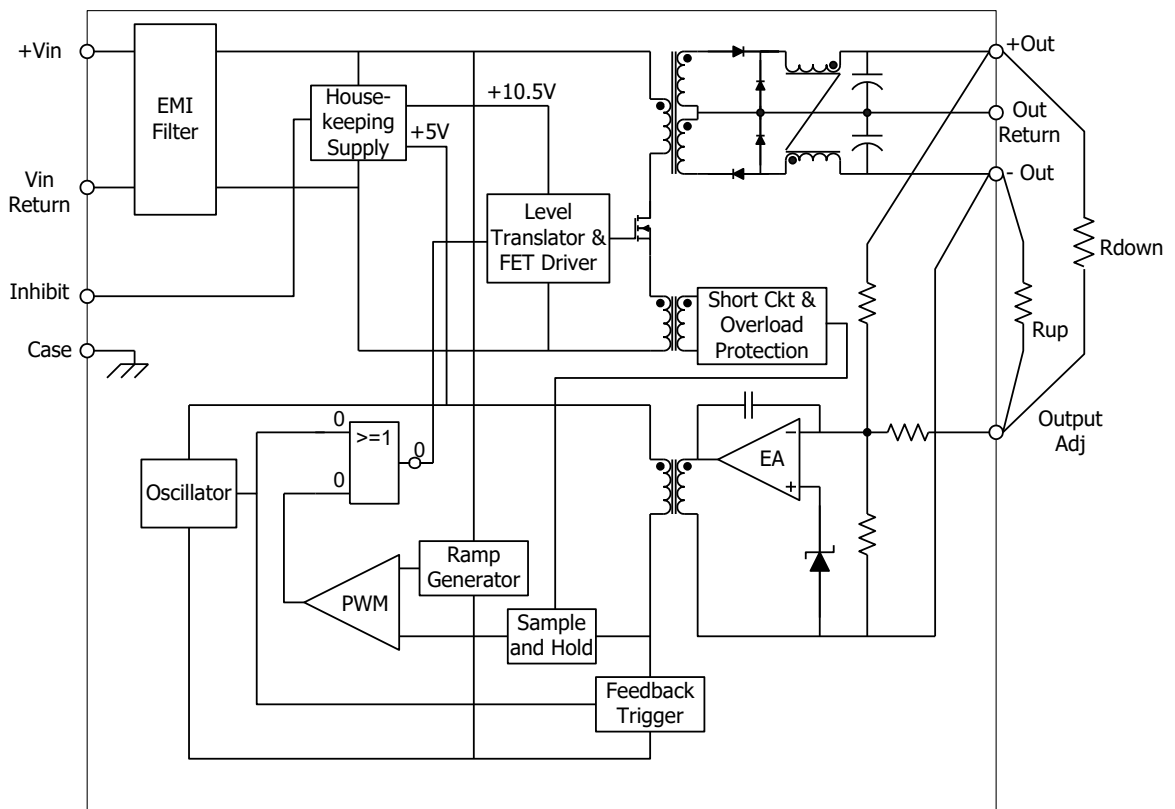
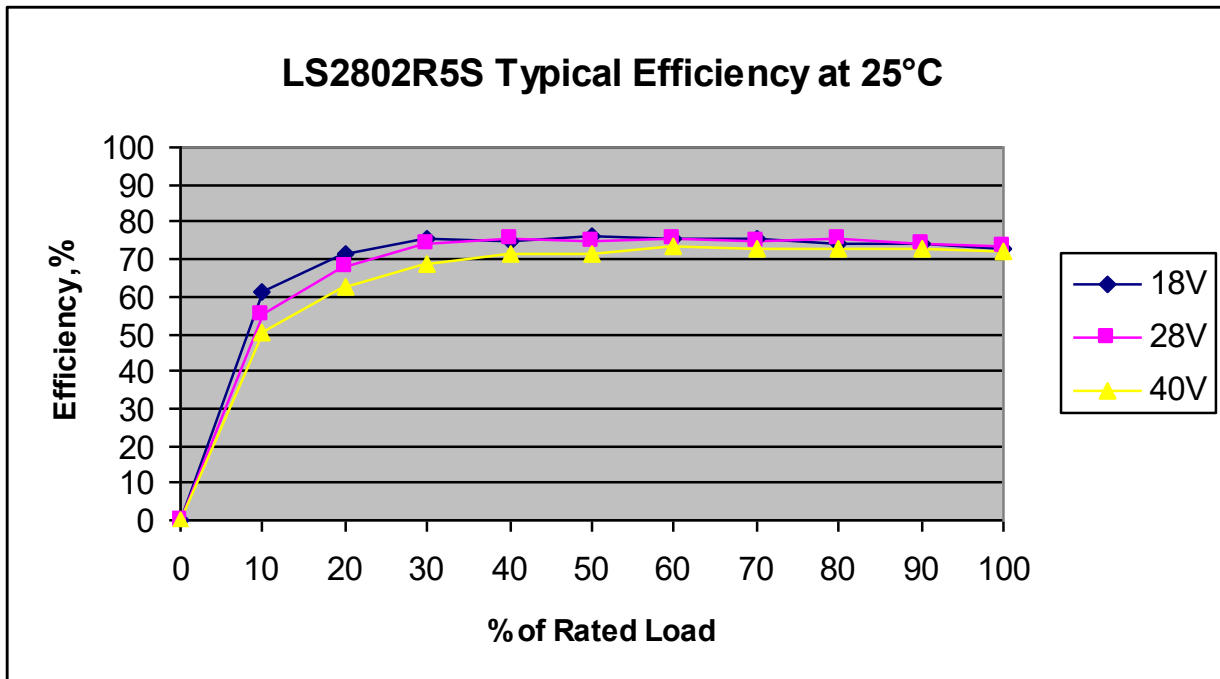
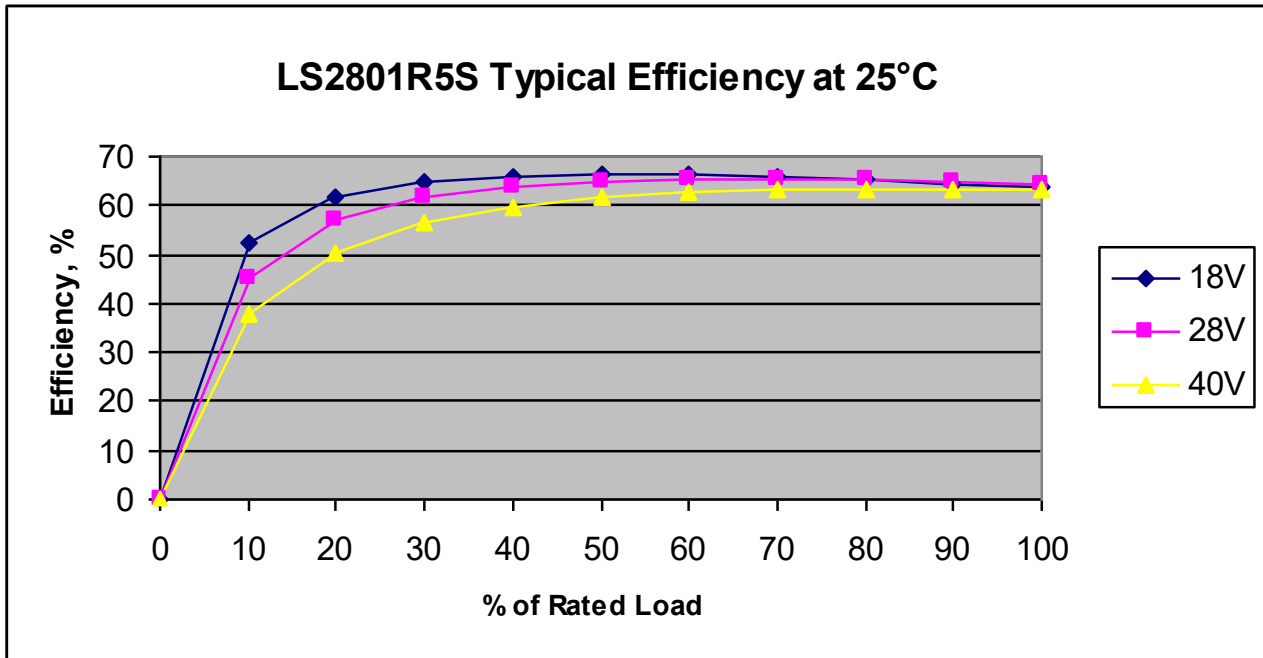
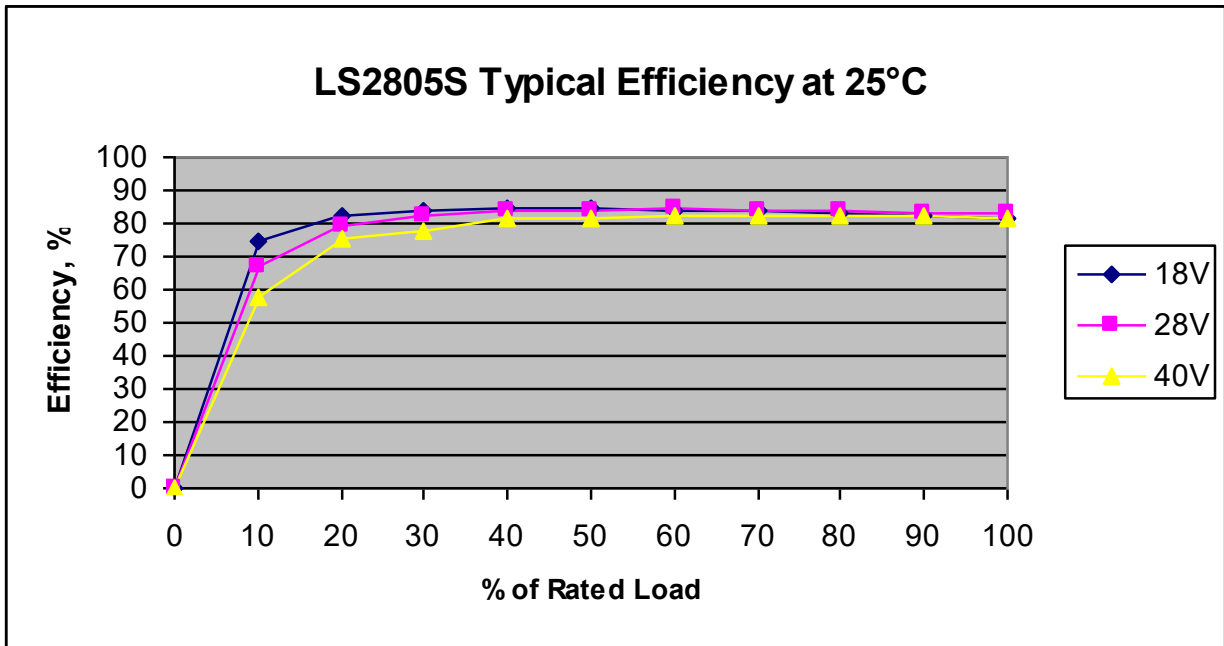
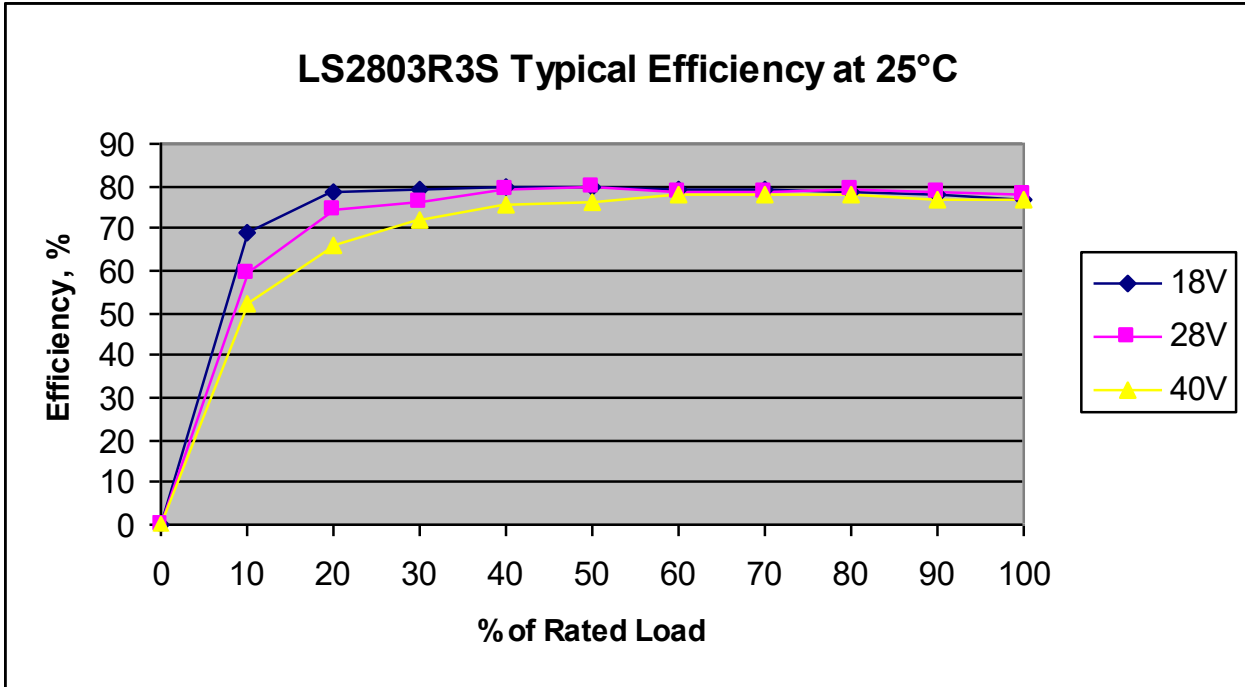


Figure 2: Radj Placement for Dual Output Model







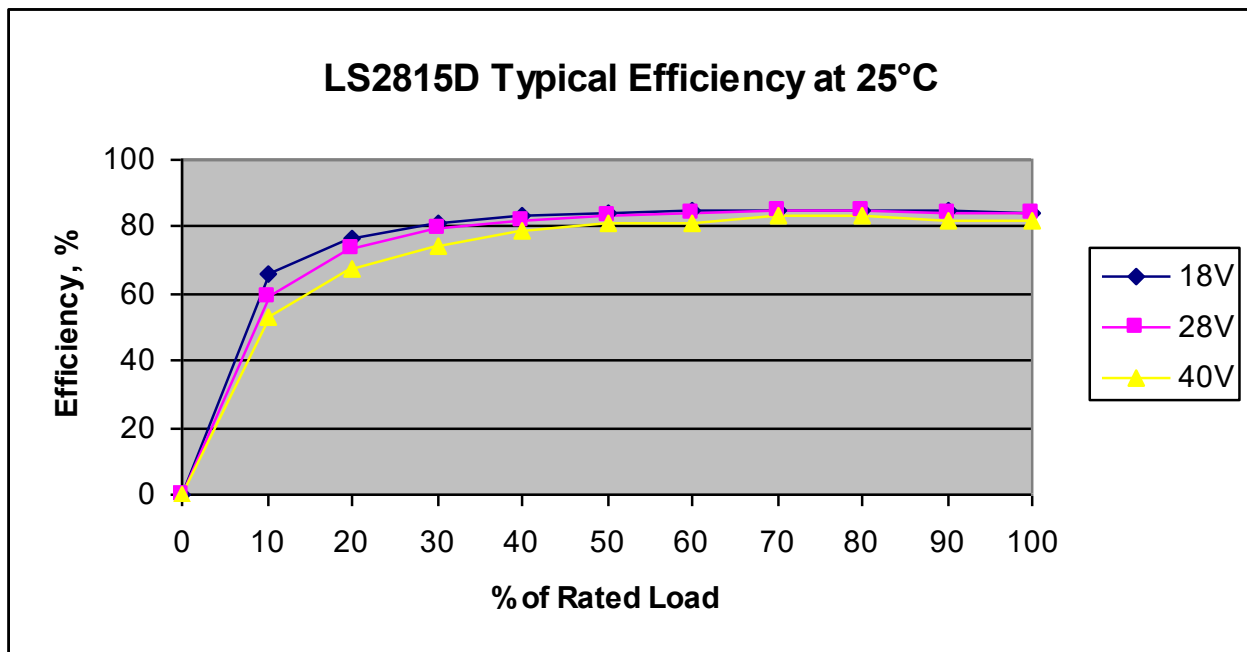
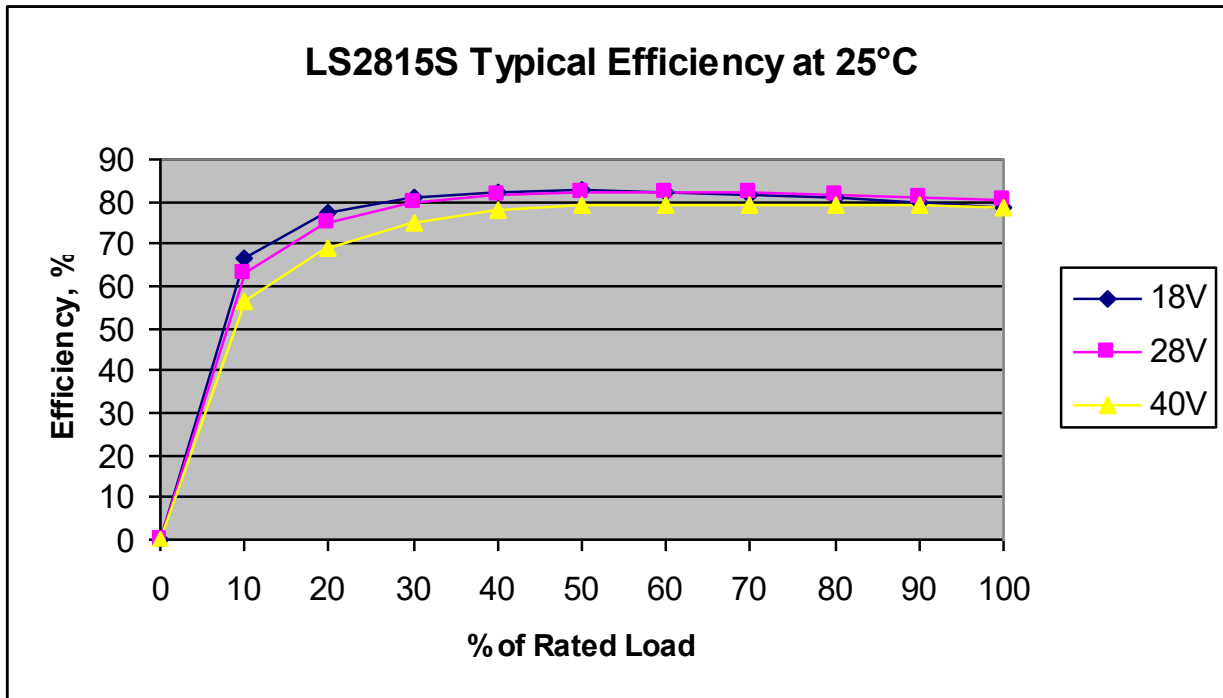


Figure 4: Block Diagram: Single Output Model

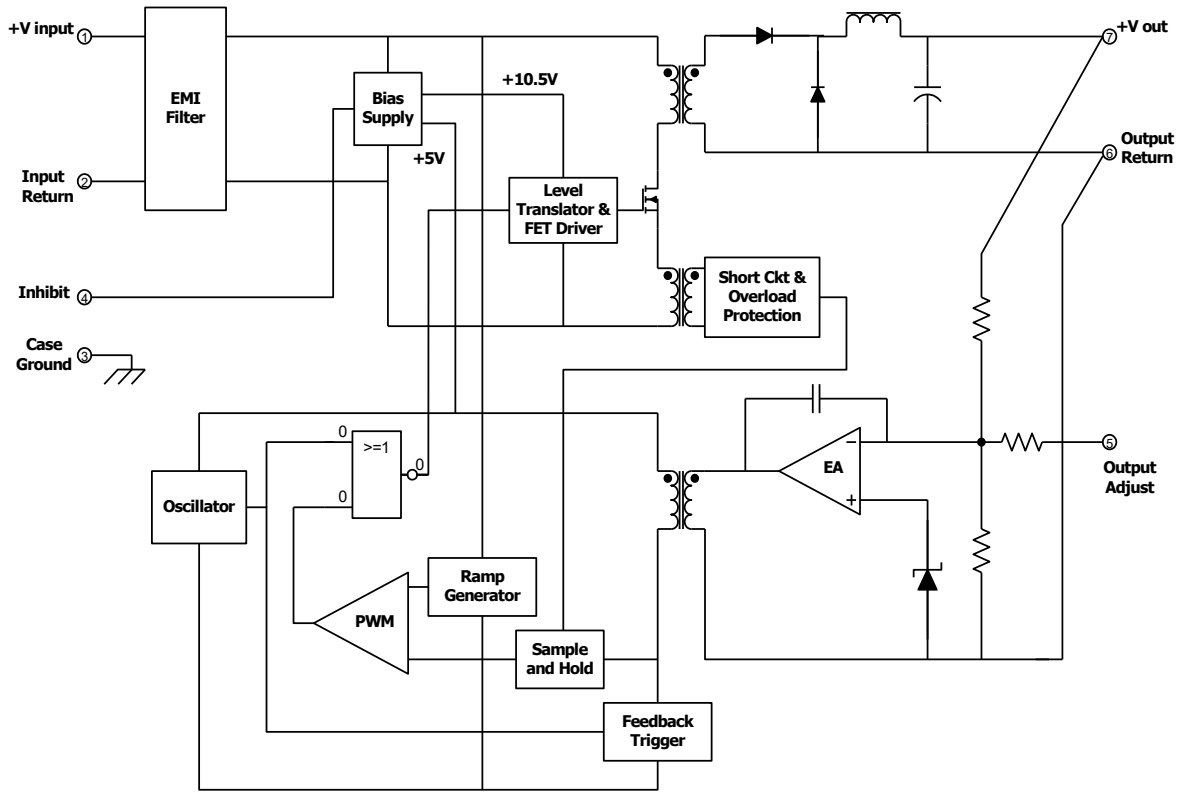
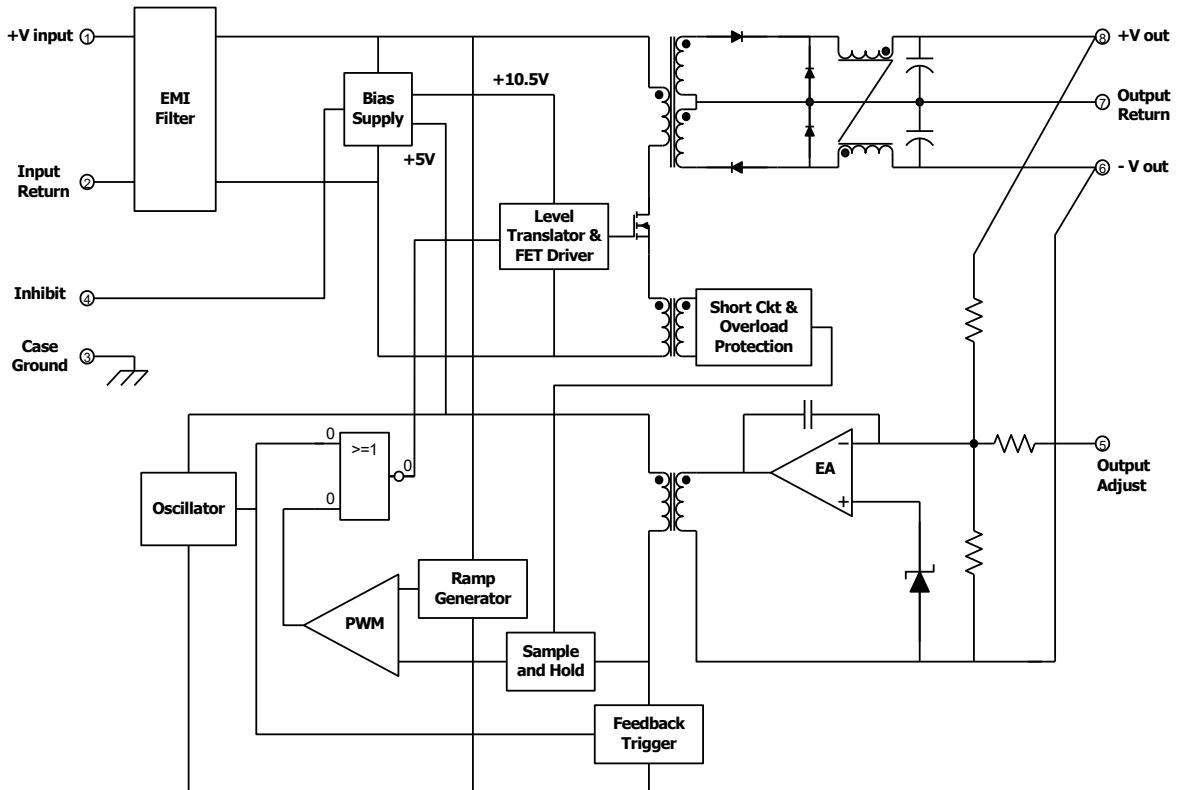
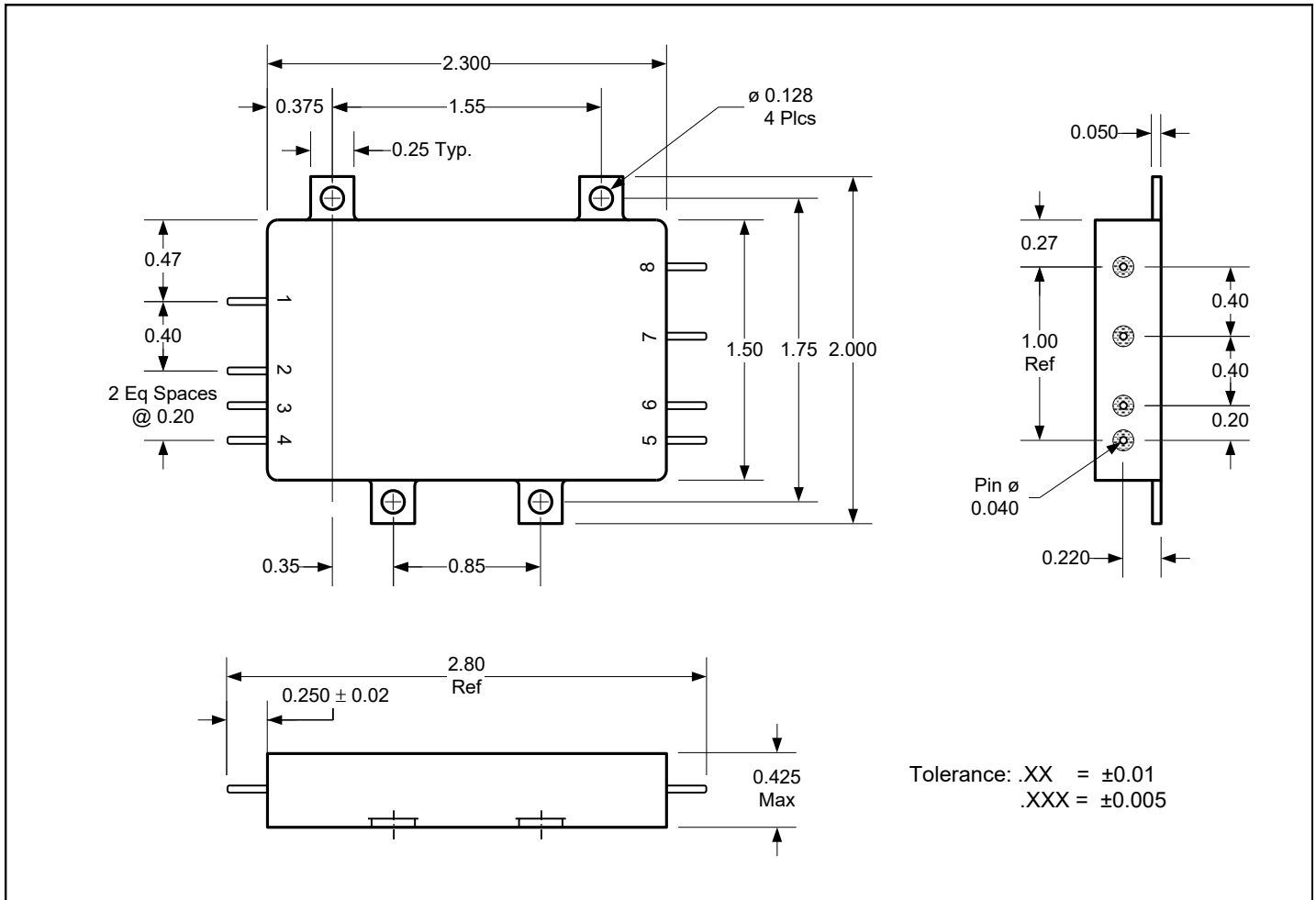


Figure 5: Block Diagram: Dual Output Model



Mechanical Outline



Pin Designation (Single/Dual)

Pin #	Single	Dual
1	+ Input	+ Input
2	Input Return	Input Return
3	Case Ground	Case Ground
4	Inhibit	Inhibit
5	Output Adjust	Output Adjust
6	Output Return	-Output
7	+ Output	Output Return
8	NC	+ Output

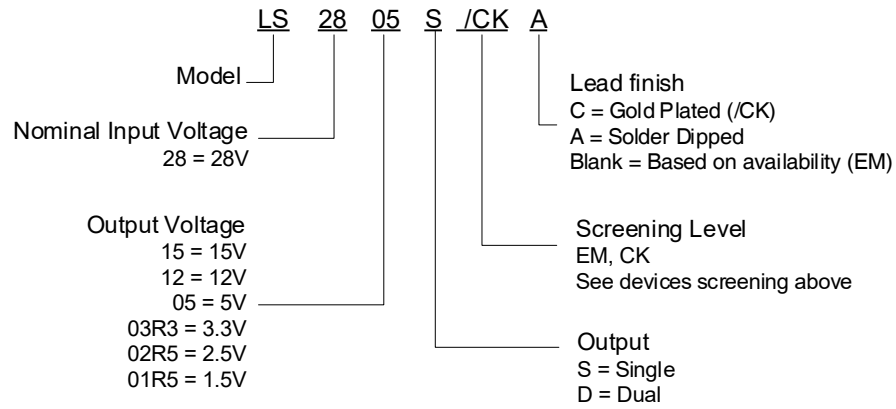
Device Screening

Part Number Designator		/EM ①	/CK ②	5962-xxxxxxxKyy ③
Compliance Level	MIL-PRF-38534	N/A	K level compliant	Class K SMD
Certification Mark		N/A	CK	QML
Screening Requirement	MIL-STD-883 Method	—	—	—
Temperature Range	—	Ambient	-55°C to +85°C	-55°C to +85°C
Element Evaluation	MIL-PRF-38534	N/A	Class K	Class K
Non-Destructive Bond Pull	2023	N/A	Yes	Yes
Internal Visual	2017	IR Defined	Yes	Yes
Temperature Cycle	1010	N/A	Cond C	Cond C
Constant Acceleration	2001, Y1 Axis	N/A	3000 Gs	3000 Gs
PIND	2020	N/A	Cond A	Cond A
Burn-In	1015	N/A	320 hrs @ 125°C (2 x 160 hrs)	320 hrs @ 125°C (2 x 160 hrs)
Final Electrical (Group A)	MIL-PRF-38534 & Specification	Ambient	-55°C, +25°C, +85°C	-55°C, +25°C, +85°C
PDA	MIL-PRF-38534	N/A	2%	2%
Seal, Fine and Gross	1014	N/A	Cond CH	Cond CH
Radiographic	2012	N/A	Yes	Yes
External Visual	2009	IR Defined	Yes	Yes

Notes:

- ① **"EM" grade** parts are strictly intended to permit the customer to determine the electrical functionality of the device in the customer's application in ambient conditions. The use of EM devices in production applications presents an unquantifiable risk of failure and IR HiRel disclaims all responsibility for such failure.
- ② **"CK" grade** is the flight model (FM) compliant to K Level screening as defined in the DLA Land and Maritime MIL-PRF-38534 requirements, but is not necessarily a DLA Land and Maritime qualified SMD per MIL-PRF-38534. The governing document for this part number designator is the IR HiRel datasheet (this document). Radiation rating as stated in the "Radiation Performance Characteristics" section, is verified by analysis and test per IR HiRel internal procedure. The part is marked with the IR base part number and the "CK" certification mark.
- ③ **"Class K SMD" grade** has a DLA qualified SMD per DLA MIL-PRF-38534 Class K which is the governing document for this part. The part is marked with the IR base part number, the SMD part number and the "QML" certification mark.

Part Numbering



Orderable Part Numbers and DLA SMD Numbers

If a DLA SMD is available as listed in the table below, such model shall be ordered using the DLA SMD number. Otherwise the model shall be ordered using the part number nomenclature.

Reference IR Base Model	Orderable Part Number	Lead finish	RHA
LS2801R5S/CKA	5962-0523801KXA	Solder Dipped	No
LS2801R5S/CKC	5962-0523801KXC	Gold Plated	No
LS2803R3S/CKA	5962-0523901KXA	Solder Dipped	Yes
LS2803R3S/CKC	596-0523901KXC	Gold Plated	Yes
LS2805S/CKA	5962-054001KXA	Solder Dipped	No
LS2805S/CKC	5962-054001KXC	Gold Plated	No
LS2812S/CKA	5962-0624101KXA	Solder Dipped	No
LS2812S/CKC	5962-0624101KXC	Gold Plated	No
LS2815S/CKA	5962-0624201KXA	Solder Dipped	No
LS2815S/CKC	5962-0624201KXC	Gold Plated	No
LS2805D/CKA	5962-1022401KXA	Solder Dipped	No
LS2805D/CKC	5962-1022401KXC	Gold Plated	No
LS2812D/CKA	5962-0524101KXA	Solder Dipped	No
LS2812D/CKC	5962-0524101KXC	Gold Plated	No
LS2815D/CKA	5962-0524201KXA	Solder Dipped	No
LS2815D/CKC	5962-0524201KXC	Gold Plated	No

IMPORTANT NOTICE

The information given in this document shall be in no event regarded as guarantee of conditions or characteristic. The data contained herein is a characterization of the component based on internal standards and is intended to demonstrate and provide guidance for typical part performance. It will require further evaluation, qualification and analysis to determine suitability in the application environment to confirm compliance to your system requirements.

With respect to any example hints or any typical values stated herein and/or any information regarding the application of the product, Infineon Technologies hereby disclaims any and all warranties and liabilities of any kind including without limitation warranties on non- infringement of intellectual property rights and any third party.

In addition, any information given in this document is subject to customer's compliance with its obligations stated in this document and any applicable legal requirements, norms and standards concerning customer's product and any use of the product of Infineon Technologies in customer's applications.

The data contained in this document is exclusively intended for technically trained staff. It is the responsibility of any customer's technical departments to evaluate the suitability of the product for the intended applications and the completeness of the product information given in this document with respect to applications.

For further information on the product, technology, delivery terms and conditions and prices, please contact your local sales representative or go to (www.infineon.com/hirel).

WARNING

Due to technical requirements products may contain dangerous substances. For information on the types in question, please contact your nearest Infineon Technologies office.