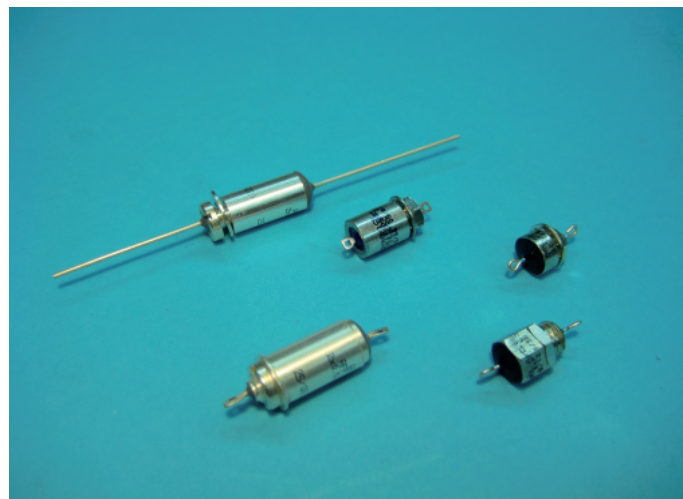


CL configuration, film dielectric

Feed through filter range using film capacitor technology to achieve good temperature stability. The units are housed in robust, sealed metal containers of threaded construction, and offer a range of terminal finishes. Specifically designed for military, industrial, telecoms and medical applications, but especially suitable for use where fast rising transients are liable to be encountered.

- Capacitive values from 1500pF - 47nF
- Self healing capacitors
- Wide choice of performance options
- Superior pulse current capability
- Excellent temperature stability
- Wire or tag termination options



Mechanical Specifications

Manufacture: resin sealed metal containers.

Connections: wire or tag terminations.

Case Variants

Style	Length (mm) L1 max	L2 max	Wire dia. ±0.2mm	Thread
1	6.1	8	1	5/16-24 UNF
2	6.1	12	1	5/16-24 UNF

Electrical Specifications

Rated voltage (V_R): see table

Category voltage (V_C): see table

Rated current (I_R): referred to room temperature = 40°C

Voltage test (2 s.): 1.6 V_R dc

Climatic category: (55/125/56);

Temperature range: -55°C to +125°C

Filter Range - AFCL060

(example pt no. - AFCL060115NJW1T)

Code	Max values		C (pF) ±20% at 1kHz	V_R		V_C		Typical Insertion loss (dB) (MHz)					Pulse capability V/us
	IR (A) dc or rms ●	Rdc (m.Ω)		dc	ac ● ms	dc	ac ● ms	1	10	30	100	400	
115NJ-1	10	6	1500	630	125	300	125	-	8	18	27	43	2000
150LJ-1	10	6	5000	350	125	200	115	-	16	28	38	53	1200
210JJ-1	10	6	10000	250	-	100	-	-	20	30	40	58	1200
227DJ-1	10	6	27000	100	-	50	-	-	10	30	40	47	63
115NJ-2	10	6	1500	630	150	400	125	-	8	18	27	43	2000
130NJ-2	10	6	3000	630	150	300	125	-	13	25	35	53	2000
210LJ-2	10	6	10000	350	125	200	115	-	20	30	40	58	720
227JJ-2	10	6	27000	250	-	100	-	-	10	28	36	45	63
247DJ-2	10	6	47000	100	-	50	-	-	16	37	47	51	68

Case finish: T = Tin plated
S = Silver plated
G = Gold plated

Case style

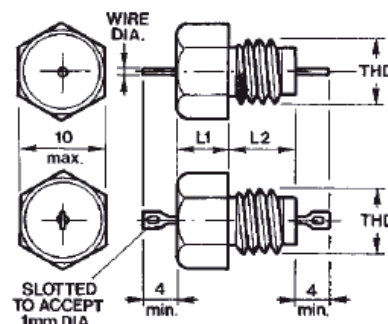
Termination: W = Wire
T = Tag

* other variants on request

● at 400Hz

ac voltage ratings below 115V
have not been specified.

Dimensions (mm) and connections



Circuit diagram (CL configuration)



CL configuration, film dielectric

Feed through filter range using film capacitor technology to achieve good temperature stability. The units are housed in robust, sealed metal containers of threaded construction, and offer a range of terminal finishes. Specifically designed for military, industrial, telecoms and medical applications, but especially suitable for use where fast rising transients are liable to be encountered.

- Capacitive values from 100nF - 820nF
- Self healing capacitors
- Wide choice of performance options
- Superior pulse current capability
- Excellent temperature stability
- Wire or tag termination options



Mechanical Specifications

Manufacture: resin sealed metal containers.

Connections: wire or tag terminations.

Case Variants

Style	Length (mm) L1 max	L2 max	Wire dia. ±0.2mm	Thread
1	19.1	4.95	1	M6 x 1
2	19.1	8	1	M6 x 1
3	14.2	4.95	1	M6 x 1
4	14.2	8	1	M6 x 1

Electrical Specifications

Rated voltage (V_R): see table

Category voltage (V_C): see table

Rated current (I_R): referred to room temperature = 40°C

Voltage test (2 s.): 1.6 V_R dc

Climatic category: (55/125/56);

Temperature range: -55°C to +125°C

Filter Range - AFCL 100

(example pt no. - AFCL100322LJW1S)

Code	Max values		C (nF) ±20% at 1kHz	V_R		V_C		Typical Insertion loss (dB)					Pulse capa- bility V/us	CCT	
	IR (A) dc or rms	Rdc (mΩ)		dc	ac rms	dc	ac rms	0.1	0.3	1	10	100			400
322LJ-1	10	6	220	350	125	200	115	9	19	28	46	49	68	600	1
347JJ-1	10	6	470	250	-	100	-	11	22	35	48	49	68	600	1
382DJ-1	10	6	820	100	-	50	-	22	30	41	46	53	68	490	1
310LJ-3	10	6	100	350	125	200	115	-	11	22	40	48	63	800	1
322JJ-3	10	6	220	250	-	100	-	9	18	28	46	49	68	700	1
347DJ-3	10	6	470	100	-	50	-	11	22	35	48	49	68	600	1
347DH-1	5	15	470	100	-	50	-	16	26	38	58	61	68	600	2
347DG-1	3	40	470	100	-	50	-	16	27	41	63	63	68	600	2
347DF-1	1	200	470	100	-	50	-	26	39	53	65	63	68	600	2
322JH-1	5	15	220	250	-	100	-	11	20	30	53	57	63	700	2
322JG-1	3	40	220	250	-	100	-	12	23	37	64	62	68	700	2
322JF-1	1	200	220	250	-	100	-	20	31	49	70	55	68	700	2
310LH-1	5	15	100	350	115	200	115	-	13	25	47	57	68	800	2
310LG-1	3	40	100	350	115	200	115	-	16	29	55	61	68	800	2
310LF-1	1	200	100	350	115	200	115	14	27	43	61	63	68	800	2

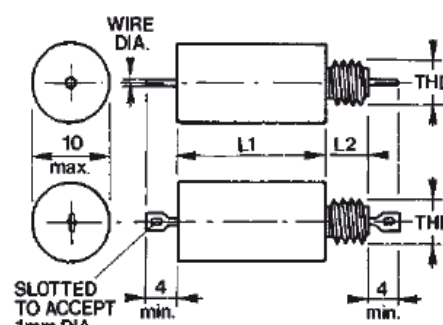
Case finish: T = Tin plated
S = Silver plated
G = Gold plated

● at 400Hz
ac voltage ratings below 115V
have not been specified.

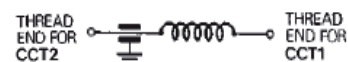
Case style available: 2 instead of 1; 4 instead of 3
Termination: W = Wire
T = Tag

* other variants on request

Dimensions (mm) and connections



Circuit diagram (CL configuration)



PI configuration, film dielectric

A family of feed through filters using film capacitor technology to achieve good temperature stability. This series are particularly used where high levels of attenuation up to 1GHz are required. The units are housed in robust, sealed metal containers of threaded construction, and offer a range of terminal finishes. Specifically designed for military, industrial, telecoms and medical applications, but especially suitable for use where fast rising transients are liable to be encountered.

- Very high attenuation level throughout frequency spectrum
- Self healing capacitors
- Wide choice of performance options
- Superior pulse current capability
- Excellent temperature stability
- Wire, fast on or tag termination options

Mechanical Specifications

Manufacture: resin sealed metal containers.

Connections: wire or tag terminations.

Filter Range - AFPI 100 410

(example pt no. - AFPI100410 HPT1S)

Code	Max values		C (nF)	Typical Insertion loss (dB)					
	I_R (A) dc	Rdc (mΩ)		50 kHz	100 kHz	300 kHz	1 MHz	10 MHz	100 MHz
HPT1S	0.5	<700	2x500	33	52	79	100	100	100
HFT1S	1	<200	2x500	8	35	66	95	100	100
HGT1S	3	<50	2x500	8	28	62	93	100	100
HHT1S	5	<10	2x500	-	16	44	74	100	100
HJT1S	10	<5	2x500	-	18	29	57	100	100

* other variants on request



Electrical Specifications (AFPI 100 only)

Rated voltage (V_R): 200Vdc

Category voltage (V_C): 160Vdc

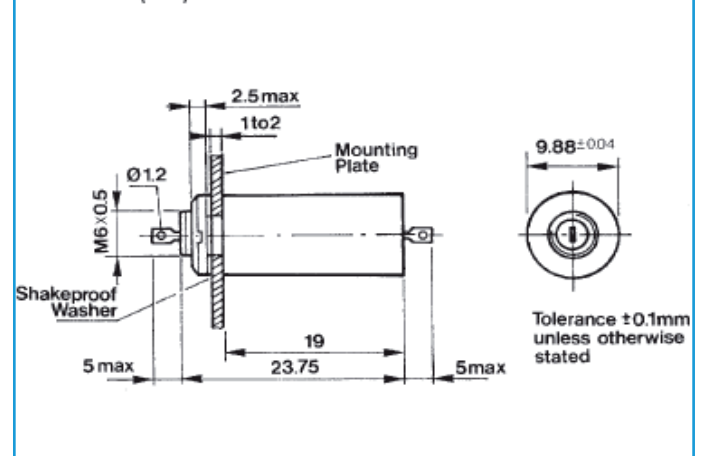
Rated current (I_R): referred to room temperature = 40°C

Voltage test (2 s.): 300Vdc

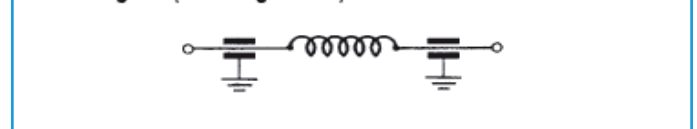
Climatic category: HPF(25/085/21);

Temperature range: -25°C to +85°C

Dimensions (mm) and connections



Circuit diagram (Pi configuration)



Filter Range - AFPI 16 -*

(example pt no. - AFPI161440DMW3N)

Code	Max values		Rdc (mΩ)	C (nF)	Voltage Test (dc)	Climatic category	Dimensions (mm)				Dia d (mm)	Typical insertion loss (dB)					
	I _R dc	V _R dc/ac					A	B	D	T		50 kHz	100 kHz	300 kHz	1 MHz	10 MHz	100 MHz
440DMW3N	16	100/-	<6	2x2000	250	40/085/21	16	38	16	M10x0.75	1.2	60	78	100	100	100	100
▲ 320MMW3N	16	440/-	<6	2x100	1400	40/085/21	12	34	16	M10x0.75	1.2	6	10	19	50	93	100
▲ 236TMW3N	16	600/250	<6	2x18nF	2700	40/085/21	16	34	16	M10x0.75	1.2			4	26	71	100
150TMW3N	16	600/250	<6	2x2.5	2700	40/085/21	12	34	16	M10x0.75	1.2				5	36	83

▲ UL approval

* 0 - Wire terminations fitted at both ends

1 - 1 x 6.3x0.8mm Faston fitted at boss end & wire termination at other

2 - 2 x 6.3x0.8mm Faston fitted at both ends

* other variants on request

Filter Range - AFPI 190

(example pt no. - AFPI190410V6C3S)

Code	Max values		Rdc (mΩ)	C (nF)	Voltage Test (dc)	Climatic category	Dimensions (mm)				Dia d (mm)	Termination options	Typical insertion loss (dB)					
	I _R dc	V _R dc/ac					A	B	D	T			50 kHz	100 kHz	300 kHz	1 MHz	10 MHz	100 MHz
▲ 410V6C3S	6	-250	<15	2x500	2121	40/085/21	17	75	19	M12x0.75	1.2	c		23	53	78	100	100
440D3W4N	30	100/-	<2	2x2000	250	40/085/21	16	40	19	M12x0.75	2	a	60	78	100	100	100	100
▲ 320W3W4N	30	440/-	<2	2x100	1400	40/085/21	16	40	19	M12x0.75	2	a	6	10	19	50	93	100
236T3W4N	30	600/250	<2	2x18	2700	40/085/21	16	40	19	M12x0.75	2	a			4	26	71	100

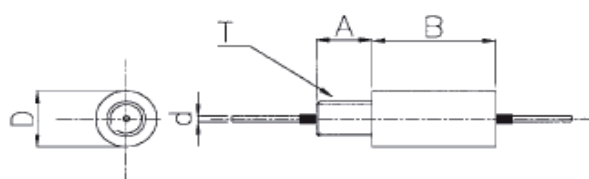
▲ UL approval

Case finish: N = Nickel plated

S = Silver plated

* other variants on request

Dimensions (mm) and connections



Termination Options

- a - typically 40mm long, fitted as standard
- b - 6.3x0.8mm Faston
- c - Length 6mm Max, eye Ø to accept 1.2mmØ wire

Circuit diagram (Pi configuration)

