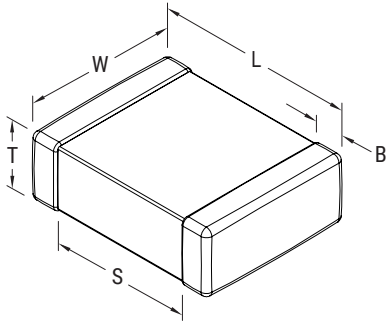


# High Temperature 200°C COG Dielectric, Low to Medium Voltage (25 – 200 VDC)

## Sample Kit Contents

| KEMET Part Number | Case Size  | Capacitance | Cap Tolerance | Rated Voltage | T Thickness | Dielectric | Quantity |
|-------------------|------------|-------------|---------------|---------------|-------------|------------|----------|
|                   | EIA/Metric |             | %             | VDC           | mm          |            |          |
| C0402H561J1GACTU  | 0402/1005  | 560 pF      | ±5            | 100           | 0.50 ±0.05  | COG        | 100      |
| C0402H102J1GACTU  | 0402/1005  | 1000 pF     | ±5            | 100           | 0.50 ±0.05  | COG        | 100      |
| C0402H152J5GACTU  | 0402/1005  | 1500 pF     | ±5            | 50            | 0.50 ±0.05  | COG        | 100      |
| C0603H102J1GACTU  | 0603/1608  | 1000 pF     | ±5            | 100           | 0.80 ±0.07  | COG        | 50       |
| C0603H222J1GACTU  | 0603/1608  | 2200 pF     | ±5            | 100           | 0.80 ±0.07  | COG        | 50       |
| C0603H103J3GACTU  | 0603/1608  | 10000 pF    | ±5            | 25            | 0.80 ±0.07  | COG        | 50       |
| C0805H102J2GACTU  | 0805/2012  | 1000 pF     | ±5            | 200           | 0.90 ±0.10  | COG        | 50       |
| C0805H103J1GACTU  | 0805/2012  | 10000 pF    | ±5            | 100           | 0.90 ±0.10  | COG        | 50       |
| C0805H333J3GACTU  | 0805/2012  | 33000 pF    | ±5            | 25            | 1.25 ±0.15  | COG        | 50       |
| C1206H271J2GACTU  | 1206/3216  | 270 pF      | ±5            | 200           | 0.78 ±0.10  | COG        | 50       |
| C1206H272J2GACTU  | 1206/3216  | 2700 pF     | ±5            | 200           | 0.90 ±0.10  | COG        | 50       |
| C1206H103J1GACTU  | 1206/3216  | 10000 pF    | ±5            | 100           | 0.78 ±0.10  | COG        | 50       |
| C1206H473J1GACTU  | 1206/3216  | 47000 pF    | ±5            | 100           | 1.60 ±0.20  | COG        | 50       |
| C1206H823J5GACTU  | 1206/3216  | 82000 pF    | ±5            | 50            | 1.60 ±0.20  | COG        | 50       |
| C1206H104J3GACTU  | 1206/3216  | 0.10 µF     | ±5            | 25            | 1.60 ±0.20  | COG        | 50       |
| C1210H102J1GACTU  | 1210/3225  | 1000 pF     | ±5            | 100           | 0.78 ±0.10  | COG        | 50       |
| C1210H332J2GACTU  | 1210/3225  | 3300 pF     | ±5            | 200           | 1.10 ±0.10  | COG        | 50       |
| C1210H562J2GACTU  | 1210/3225  | 5600 pF     | ±5            | 200           | 1.25 ±0.15  | COG        | 50       |
| C1210H103J1GACTU  | 1210/3225  | 10000 pF    | ±5            | 100           | 1.10 ±0.10  | COG        | 50       |
| C1210H104J1GACTU  | 1210/3225  | 0.10 µF     | ±5            | 100           | 1.70 ±0.20  | COG        | 50       |
| C1210H154J5GACTU  | 1210/3225  | 0.15 µF     | ±5            | 50            | 1.70 ±0.20  | COG        | 50       |
| C1812H154J1GACTU  | 1812/4532  | 0.15 µF     | ±5            | 100           | 1.70 ±0.20  | COG        | 25       |
| C1812H224J5GACTU  | 1812/4532  | 0.22 µF     | ±5            | 50            | 1.60 ±0.20  | COG        | 25       |
| C2220H474J5GACTU  | 2220/5650  | 0.47 µF     | ±5            | 50            | 2.20 ±0.15  | COG        | 25       |

## Dimensions – Millimeters (Inches)



| Case Size (in.) | Case Size (mm) | L Length                      | W Width                       | T Thickness     | B Bandwidth                   | S Separation Minimum | Mounting Technique           |
|-----------------|----------------|-------------------------------|-------------------------------|-----------------|-------------------------------|----------------------|------------------------------|
| 0402            | 1005           | 1.00 (0.040)<br>±0.05 (0.002) | 0.50 (0.020)<br>±0.05 (0.002) | See Table Above | 0.30 (0.012)<br>±0.10 (0.004) | 0.30 (0.012)         | Solder Reflow Only           |
| 0603            | 1608           | 1.60 (0.063)<br>±0.15 (0.006) | 0.80 (0.032)<br>±0.15 (0.006) |                 | 0.35 (0.014)<br>±0.15 (0.006) | 0.70 (0.028)         | Solder Wave or Solder Reflow |
| 0805            | 2012           | 2.00 (0.079)<br>±0.20 (0.008) | 1.25 (0.049)<br>±0.20 (0.008) |                 | 0.50 (0.02)<br>±0.25 (0.010)  | 0.75 (0.030)         |                              |
| 1206            | 3216           | 3.20 (0.126)<br>±0.20 (0.008) | 1.60 (0.063)<br>±0.20 (0.008) |                 | 0.50 (0.02)<br>±0.25 (0.010)  | N/A                  | Solder Reflow Only           |
| 1210            | 3225           | 3.20 (0.126)<br>±0.20 (0.008) | 2.50 (0.098)<br>±0.20 (0.008) |                 | 0.50 (0.02)<br>±0.25 (0.010)  |                      |                              |
| 1812            | 4532           | 4.50 (0.177)<br>±0.30 (0.012) | 3.20 (0.126)<br>±0.30 (0.012) |                 | 0.60 (0.024)<br>±0.35 (0.014) |                      |                              |
| 2220            | 5650           | 5.70 (0.224)<br>±0.40 (0.016) | 5.00 (0.197)<br>±0.40 (0.016) |                 | 0.60 (0.024)<br>±0.35 (0.014) |                      |                              |