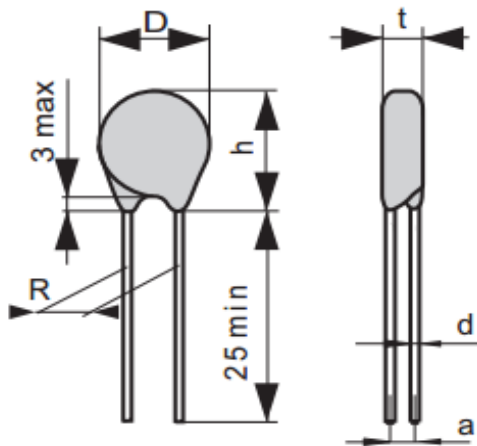


KEMET Part Number: VS20K123B320AA



Varistors, VS, Through Hole, Disc, 420 V, 320 VAC, 510 V, 100 A, 12000 A, 420 J, 1 W



General Information	
Type:	Varistors
Style:	Disc
Series:	VS
Description:	Through Hole Disc Varistors
Features:	Extended Medium Voltage
Termination:	Tin
Lead:	Wire Leads
RoHS:	Yes
Approvals:	UL 1449, 3rd edition & CSA C22.2. File E326499 Section 6

Dimensions	
D	22.5mm MAX
h	27mm MAX
t	6.8mm MAX
R	10mm
d	1mm

Packaging Specifications	
Packaging:	Bulk
Packaging Quantity:	200

General Information	
Voltage DC:	420 VDC
Voltage AC:	320 VAC
Temperature Range:	-40/+105C
Storage Temperature Range:	-40/+125C
Varistor Voltage	510 VDC at 1 mAmps
Clamping Voltage:	840 V
Clamping Current	100 Amps (8/20 us MAX)
Surge Current	12000 Amps (8/20 us MAX)
Energy:	420 J (10/1000 us MAX)
Transient Maximum Power Dissipation:	1 W
Capacitance:	800 pF (1kHz)

PK20170831