



# PCA9952; PCA9955

16-channel Fm+ I<sup>2</sup>C-bus 57 mA constant current LED driver

Rev. 7.2 — 26 October 2021

Product data sheet

## 1 General description

The PCA9952 and PCA9955 are I<sup>2</sup>C-bus controlled 16-channel constant current LED driver optimized for dimming and blinking 57 mA Red/Green/Blue/Amber (RGBA) LEDs in amusement products. Each LEDn output has its own 8-bit resolution (256 steps) fixed frequency individual PWM controller that operates at 31.25 kHz with a duty cycle that is adjustable from 0 % to 99.6 % to allow the LED to be set to a specific brightness value. An additional 8-bit resolution (256 steps) group PWM controller has both a fixed frequency of 122 Hz and an adjustable frequency between 15 Hz to once every 16.8 seconds with a duty cycle that is adjustable from 0 % to 99.6 % that is used to either dim or blink all LEDs with the same value.

Each LEDn output can be off, on (no PWM control), set at its individual PWM controller value or at both individual and group PWM controller values. The PCA9952 and PCA9955 operate with a supply voltage range of 3 V to 5.5 V and the constant current sink LEDn outputs allow up to 40 V for the LED supply. The output peak current is adjustable with an 8-bit linear DAC from 225  $\mu$ A to 57 mA.

These devices have built-in open, short load and overtemperature detection circuitry. The error information from the corresponding register can be read via the I<sup>2</sup>C-bus. Additionally, a thermal shutdown feature protects the device when internal junction temperature exceeds the limit allowed for the process.

The PCA9952 and PCA9955 devices have Fast-mode Plus (Fm+) I<sup>2</sup>C-bus interface. Fm+ devices offer higher frequency (up to 1 MHz) or more densely populated bus operation (up to 4000 pF).

The PCA9952 is identical to PCA9955 except for the following differences:

- The PCA9952 has only three hardware address pins compared to four on PCA9955.
- The PCA9952 has an output enable pin ( $\overline{OE}$ ) and the PCA9955 does not.

The active LOW output enable input pin ( $\overline{OE}$ ), available only on PCA9952, blinks all the LEDn outputs and can be used to externally PWM the outputs, which is useful when multiple devices need to be dimmed or blinked together without using software control.

Software programmable LED Group and three Sub Call I<sup>2</sup>C-bus addresses allow all or defined groups of PCA9952/55 devices to respond to a common I<sup>2</sup>C-bus address, allowing for example, all red LEDs to be turned on or off at the same time or marquee chasing effect, thus minimizing I<sup>2</sup>C-bus commands. On power-up, PCA9952/55 will have a unique Sub Call address to identify it as a 16-channel LED driver. This allows mixing of devices with different channel widths. Four hardware address pins on PCA9955 allow up to 16 devices on the same bus. In the case of PCA9952, three hardware address pins allow up to 8 devices on the same bus.

The Software Reset (SWRST) function allows the master to perform a reset of the PCA9952/55 through the I<sup>2</sup>C-bus, identical to the Power-On Reset (POR) that initializes the registers to their default state causing the output current switches to be OFF (LED



off). This allows an easy and quick way to reconfigure all device registers to the same condition.

## 2 Features and benefits

- 16 LED drivers. Each output programmable at:
  - Off
  - On
  - Programmable LED brightness
  - Programmable group dimming/blinking mixed with individual LED brightness
  - Programmable LEDn output enable delay to reduce EMI and surge currents
- 16 constant current output channels can sink up to 57 mA, tolerate up to 40 V when OFF
- Output current adjusted through an external resistor
- Output current accuracy
  - $\pm 6$  % between output channels
  - $\pm 8$  % between PCA9952/55 devices
- Open/short load/overtemperature detection mode to detect individual LED errors
- 1 MHz Fast-mode Plus compatible I<sup>2</sup>C-bus interface with 30 mA high drive capability on SDA output for driving high capacitive buses
- 256-step (8-bit) linear programmable brightness per LEDn output varying from fully off (default) to maximum brightness using a 31.25 kHz PWM signal
- 256-step group brightness control allows general dimming (using a 122 Hz PWM signal) from fully off to maximum brightness (default)
- 256-step group blinking with frequency programmable from 15 Hz to 16.8 s and duty cycle from 0 % to 99.6 %
- Output state change programmable on the Acknowledge or the STOP Command to update outputs byte-by-byte or all at the same time (default to 'Change on STOP').
- Active LOW Output Enable ( $\overline{OE}$ ) input pin (only on PCA9952) allows for hardware blinking and dimming of the LEDs
- Four hardware address pins allow 16 PCA9955 devices to be connected to the same I<sup>2</sup>C-bus and to be individually programmed
- Four software programmable I<sup>2</sup>C-bus addresses (one LED Group Call address and three LED Sub Call addresses) allow groups of devices to be addressed at the same time in any combination (for example, one register used for 'All Call' so that all the PCA9952/55s on the I<sup>2</sup>C-bus can be addressed at the same time and the second register used for three different addresses so that  $\frac{1}{3}$  of all devices on the bus can be addressed at the same time in a group). Software enable and disable for each programmable I<sup>2</sup>C-bus address.
- Unique power-up default Sub Call address allows mixing of devices with different channel widths
- Software Reset feature (SWRST Call) allows the device to be reset through the I<sup>2</sup>C-bus
- 8 MHz internal oscillator requires no external components
- Internal power-on reset
- Noise filter on SDA/SCL inputs
- No glitch on LED on power-up
- Low standby current
- Operating power supply voltage ( $V_{DD}$ ) range of 3 V to 5.5 V
- 5.5 V tolerant inputs on non-LED pins

- Operating temperature:
  - -40 °C to +85 °C
- ESD protection exceeds 2000 V HBM per JESD22-A114, and 500 V CDM per JESD22-C101
- Latch-up testing is done to JEDEC Standard JESD78 Class II, Level B
- Packages offered: HTSSOP28

### 3 Applications

- Amusement products
- RGB or RGBA LED drivers
- LED status information
- LED displays
- LCD backlights
- Keypad backlights for cellular phones or handheld devices
- Automotive lighting

### 4 Ordering information

Table 1. Ordering information

Type number	Topside marking	Package		Version
		Name	Description	
PCA9952TW/Q900 <sup>[1]</sup>	PCA9952	HTSSOP28	plastic thermal enhanced thin shrink small outline package; 28 leads; body width 4.4 mm; lead pitch 0.65 mm; exposed die pad	SOT1172-2
PCA9955TW/Q900 <sup>[1]</sup>	PCA9955	HTSSOP28	plastic thermal enhanced thin shrink small outline package; 28 leads; body width 4.4 mm; lead pitch 0.65 mm; exposed die pad	SOT1172-2

[1] PCA9952TW/Q900 and PCA9955TW/Q900 are AEC-Q100 compliant.

#### 4.1 Ordering options

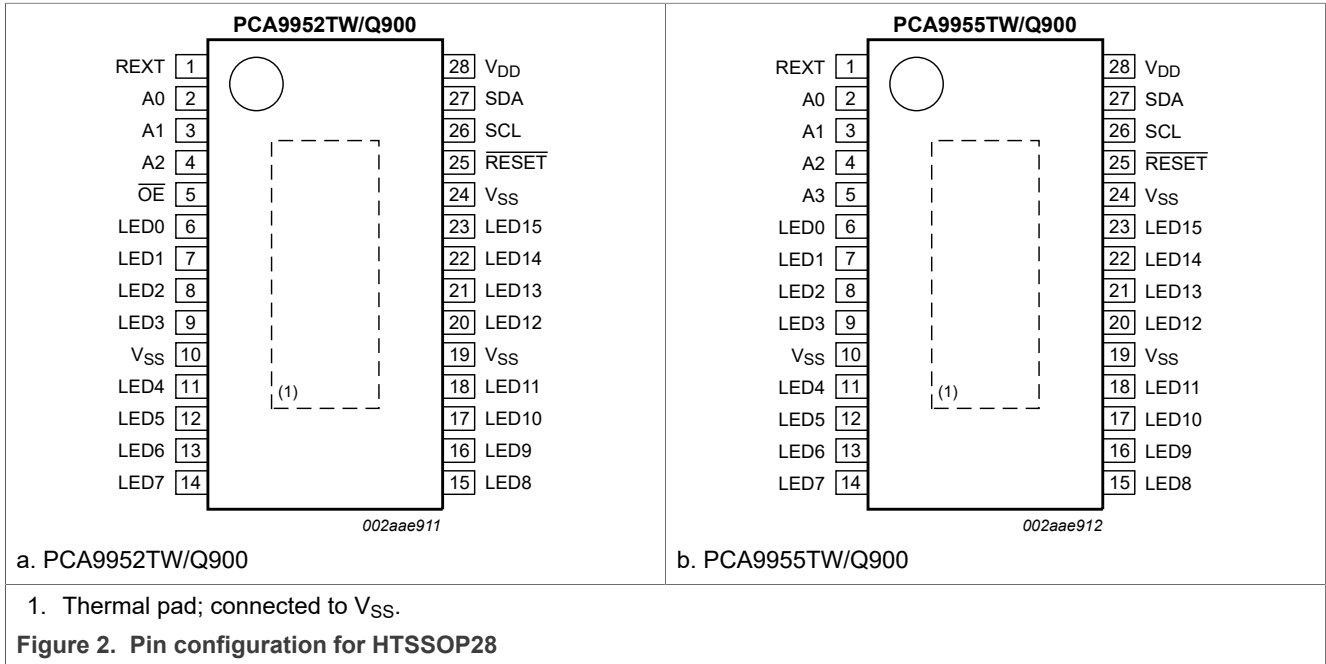
Table 2. Ordering options

Type number	Orderable part number	Package	Packing method	Minimum order quantity	Temperature
PCA9952TW/Q900	PCA9952TW/Q900,118	HTSSOP28	Reel 13" Q1/T1 *standard mark SMD	2500	T <sub>amb</sub> = -40 °C to +85 °C
PCA9955TW/Q900	PCA9955TW/Q900,118	HTSSOP28	Reel 13" Q1/T1 *standard mark SMD	2500	T <sub>amb</sub> = -40 °C to +85 °C



## 6 Pinning information

### 6.1 Pinning



### 6.2 Pin description

Table 3. PCA9952 pin description

Symbol	Pin	Type	Description
REXT	1	I	current set resistor input; resistor to ground
A0	2	I	address input 0 <sup>[1]</sup>
A1	3	I	address input 1 <sup>[1]</sup>
A2	4	I	address input 2 <sup>[1]</sup>
OE	5	I	active LOW output enable
LED0	6	O	LED driver 0
LED1	7	O	LED driver 1
LED2	8	O	LED driver 2
LED3	9	O	LED driver 3
LED4	11	O	LED driver 4
LED5	12	O	LED driver 5
LED6	13	O	LED driver 6
LED7	14	O	LED driver 7
LED8	15	O	LED driver 8
LED9	16	O	LED driver 9
LED10	17	O	LED driver 10

Table 3. PCA9952 pin description...continued

Symbol	Pin	Type	Description
LED11	18	O	LED driver 11
LED12	20	O	LED driver 12
LED13	21	O	LED driver 13
LED14	22	O	LED driver 14
LED15	23	O	LED driver 15
RESET	25	I	active LOW reset input
SCL	26	I	serial clock line
SDA	27	I/O	serial data line
V <sub>SS</sub>	10, 19, 24 <sup>[2]</sup>	ground	supply ground
V <sub>DD</sub>	28	power supply	supply voltage

- [1] In order to obtain the best system level ESD performance, a standard pull-up resistor (10 kΩ typical) is required for any address pin connecting to V<sub>DD</sub>. For additional information on system level ESD performance, please refer to application notes AN10897 and AN11131.
- [2] HTSSOP28 package supply ground is connected to both V<sub>SS</sub> pins and exposed center pad. V<sub>SS</sub> pins must be connected to supply ground for proper device operation. For enhanced thermal, electrical, and board level performance, the exposed pad needs to be soldered to the board using a corresponding thermal pad on the board and for proper heat conduction through the board, thermal vias need to be incorporated in the PCB in the thermal pad region.

Table 4. PCA9955 pin description

Symbol	Pin	Type	Description
REXT	1	I	current set resistor input; resistor to ground
A0	2	I	address input 0 <sup>[1]</sup>
A1	3	I	address input 1 <sup>[1]</sup>
A2	4	I	address input 2 <sup>[1]</sup>
A3	5	I	address input 3 <sup>[1]</sup>
LED0	6	O	LED driver 0
LED1	7	O	LED driver 1
LED2	8	O	LED driver 2
LED3	9	O	LED driver 3
LED4	11	O	LED driver 4
LED5	12	O	LED driver 5
LED6	13	O	LED driver 6
LED7	14	O	LED driver 7
LED8	15	O	LED driver 8
LED9	16	O	LED driver 9
LED10	17	O	LED driver 10
LED11	18	O	LED driver 11
LED12	20	O	LED driver 12
LED13	21	O	LED driver 13

Table 4. PCA9955 pin description...continued

Symbol	Pin	Type	Description
LED14	22	O	LED driver 14
LED15	23	O	LED driver 15
RESET	25	I	active LOW reset input
SCL	26	I	serial clock line
SDA	27	I/O	serial data line
V <sub>SS</sub>	10, 19, 24 <sup>[2]</sup>	ground	supply ground
V <sub>DD</sub>	28	power supply	supply voltage

- [1] In order to obtain the best system level ESD performance, a standard pull-up resistor (10 kΩ typical) is required for any address pin connecting to V<sub>DD</sub>. For additional information on system level ESD performance, please refer to application notes AN10897 and AN11131.
- [2] HTSSOP28 package supply ground is connected to both V<sub>SS</sub> pins and exposed center pad. V<sub>SS</sub> pins must be connected to supply ground for proper device operation. For enhanced thermal, electrical, and board level performance, the exposed pad needs to be soldered to the board using a corresponding thermal pad on the board and for proper heat conduction through the board, thermal vias need to be incorporated in the PCB in the thermal pad region.

## 7 Functional description

Refer to [Figure 1](#).

### 7.1 Device addresses

Following a START condition, the bus master must output the address of the slave it is accessing.

For PCA9955 there are a maximum of 16 possible programmable addresses using the 4 hardware address pins.

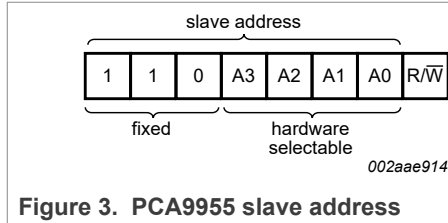
For PCA9952 there are a maximum of 8 possible programmable addresses using the 3 hardware address pins.

#### 7.1.1 Regular I<sup>2</sup>C-bus slave address

The I<sup>2</sup>C-bus slave address of the PCA9955 is shown in [Figure 3](#). To conserve power, no internal pull-up resistors are incorporated on the hardware selectable address pins and they must be pulled HIGH or LOW externally. [Figure 4](#) shows the I<sup>2</sup>C-bus slave address of the PCA9952.

**Remark:** Reserved I<sup>2</sup>C-bus addresses must be used with caution since they can interfere with:

- ‘reserved for future use’ I<sup>2</sup>C-bus addresses (0000 011, 1111 1XX)
- slave devices that use the 10-bit addressing scheme (1111 0XX)
- slave devices that are designed to respond to the General Call address (0000 000)
- High-speed mode (Hs-mode) master code (0000 1XX)



The last bit of the address byte defines the operation to be performed. When set to logic 1 a read is selected, while a logic 0 selects a write operation.

7.1.2 LED All Call I<sup>2</sup>C-bus address

- Default power-up value (ALLCALLADR register): E0h or 1110 000X
- Programmable through I<sup>2</sup>C-bus (volatile programming)
- At power-up, LED All Call I<sup>2</sup>C-bus address is enabled. PCA9952/55 sends an ACK when E0h (R/W = 0) or E1h (R/W = 1) is sent by the master.

See [Section 7.3.10](#) for more detail.

**Remark:** The default LED All Call I<sup>2</sup>C-bus address (E0h or 1110 000X) must not be used as a regular I<sup>2</sup>C-bus slave address since this address is enabled at power-up. All of the PCA9952/55s on the I<sup>2</sup>C-bus will acknowledge the address if sent by the I<sup>2</sup>C-bus master.

7.1.3 LED bit Sub Call I<sup>2</sup>C-bus addresses

- 3 different I<sup>2</sup>C-bus addresses can be used
- Default power-up values:
  - SUBADR1 register: ECh or 1110 110X
  - SUBADR2 register: ECh or 1110 110X
  - SUBADR3 register: ECh or 1110 110X
- Programmable through I<sup>2</sup>C-bus (volatile programming)
- At power-up, SUBADR1 is enabled while SUBADR2 and SUBADR3 I<sup>2</sup>C-bus addresses are disabled.

**Remark:** At power-up SUBADR1 identifies this device as a 16-channel driver.

See [Section 7.3.9](#) for more detail.

**Remark:** The default LED Sub Call I<sup>2</sup>C-bus addresses may be used as regular I<sup>2</sup>C-bus slave addresses as long as they are disabled.

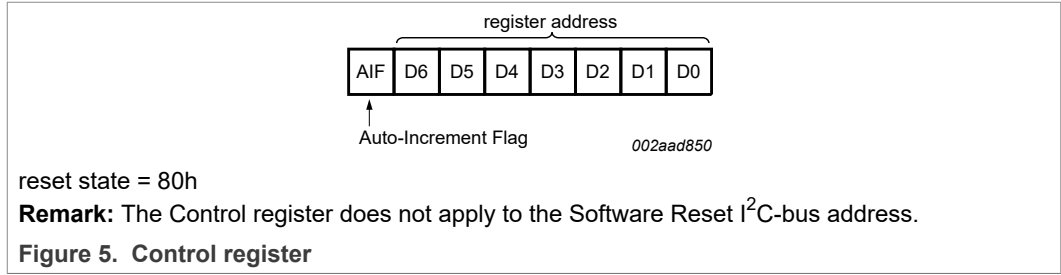
7.2 Control register

Following the successful acknowledgement of the slave address, LED All Call address or LED Sub Call address, the bus master will send a byte to the PCA9952/55, which will be stored in the Control register.

The lowest 7 bits are used as a pointer to determine which register will be accessed (D[6:0]). The highest bit is used as Auto-Increment Flag (AIF). The AIF is active by default at power-up.

This bit along with the MODE1 register bit 5 and bit 6 provide the Auto-Increment feature.





When the Auto-Increment Flag is set (AIF = logic 1), the seven low-order bits of the Control register are automatically incremented after a read or write. This allows the user to program the registers sequentially. Four different types of Auto-Increment are possible, depending on AI1 and AI0 values of MODE1 register.

**Table 5. Auto-Increment options**

AIF	AI1 <sup>[1]</sup>	AI0 <sup>[1]</sup>	Function
0	0	0	no Auto-Increment
1	0	0	Auto-Increment for registers (00h to 41h). D[6:0] roll over to 00h after the last register 41h is accessed.
1	0	1	Auto-Increment for individual brightness registers only (0Ah to 19h). D[6:0] roll over to 0Ah after the last register (19h) is accessed.
1	1	0	Auto-Increment for MODE1 to IREF15 control registers (00h to 31h). D[6:0] roll over to 00h after the last register (31h) is accessed.
1	1	1	Auto-Increment for global control registers and individual brightness registers (08h to 19h). D[6:0] roll over to 08h after the last register (19h) is accessed.

[1] AI1 and AI0 come from MODE1 register.

**Remark:** Other combinations not shown in [Table 5](#) (AIF + AI[1:0] = 001b, 010b and 011b) are reserved and must not be used for proper device operation.

AIF + AI[1:0] = 000b is used when the same register must be accessed several times during a single I<sup>2</sup>C-bus communication, for example, changes the brightness of a single LED. Data is overwritten each time the register is accessed during a write operation.

AIF + AI[1:0] = 100b is used when all the registers must be sequentially accessed, for example, power-up programming.

AIF + AI[1:0] = 101b is used when the 16 LED drivers must be individually programmed with different values during the same I<sup>2</sup>C-bus communication, for example, changing color setting to another color setting.

AIF + AI[1:0] = 110b is used when MODE1 to IREF15 registers must be programmed with different settings during the same I<sup>2</sup>C-bus communication.

AIF + AI[1:0] = 111b is used when the 16 LED drivers must be individually programmed with different values in addition to global programming.

Only the 7 least significant bits D[6:0] are affected by the AIF, AI1 and AI0 bits.

When the Control register is written, the register entry point determined by D[6:0] is the first register that will be addressed (read or write operation), and can be anywhere between 00h and 41h (as defined in [Table 6](#)). When AIF = 1, the Auto-Increment Flag is set and the rollover value at which the register increment stops and goes to the next one is determined by AIF, AI1 and AI0. See [Table 5](#) for rollover values. For example, if

MODE1 register bit AI1 = 0 and AI0 = 1 and if the Control register = 1001 0000, then the register addressing sequence will be (in hexadecimal): 10 → 11 → ... → 19 → 0A → 0B → ... → 19 → 0A → 0B → ... as long as the master keeps sending or reading data.

If MODE1 register bit AI1 = 0 and AI0 = 0 and if the Control register = 1010 0010, then the register addressing sequence will be (in hexadecimal): 22 → 23 → ... → 41 → 00 → 01 → ... → 19 → 0A → 0B → ... as long as the master keeps sending or reading data.

If MODE1 register bit AI1 = 0 and AI0 = 1 and if the Control register = 1000 0101, then the register addressing sequence will be (in hexadecimal): 05 → 06 → ... → 19 → 0A → 0B → ... → 19 → 0A → 0B → ... as long as the master keeps sending or reading data.

**Remark:** Writing to registers marked 'not used' will return NACK.

### 7.3 Register definitions

Table 6. Register summary<sup>[1]</sup>

Register number (hexadecimal)	D6	D5	D4	D3	D2	D1	D0	Name	Type	Function
00h	0	0	0	0	0	0	0	MODE1	read/write	Mode register 1
01h	0	0	0	0	0	0	1	MODE2	read/write	Mode register 2
02h	0	0	0	0	0	1	0	LEDOUT0	read/write	LEDn output state 0
03h	0	0	0	0	0	1	1	LEDOUT1	read/write	LEDn output state 1
04h	0	0	0	0	1	0	0	LEDOUT2	read/write	LEDn output state 2
05h	0	0	0	0	1	0	1	LEDOUT3	read/write	LEDn output state 3
06h	0	0	0	0	1	1	0	-	read/write	not used <sup>[1]</sup>
07h	0	0	0	0	1	1	1	-	read/write	not used <sup>[1]</sup>
08h	0	0	0	1	0	0	0	GRPPWM	read/write	group duty cycle control
09h	0	0	0	1	0	0	1	GRPFREQ	read/write	group frequency
0Ah	0	0	0	1	0	1	0	PWM0	read/write	brightness control LED0
0Bh	0	0	0	1	0	1	1	PWM1	read/write	brightness control LED1
0Ch	0	0	0	1	1	0	0	PWM2	read/write	brightness control LED2
0Dh	0	0	0	1	1	0	1	PWM3	read/write	brightness control LED3
0Eh	0	0	0	1	1	1	0	PWM4	read/write	brightness control LED4
0Fh	0	0	0	1	1	1	1	PWM5	read/write	brightness control LED5
10h	0	0	1	0	0	0	0	PWM6	read/write	brightness control LED6
11h	0	0	1	0	0	0	1	PWM7	read/write	brightness control LED7
12h	0	0	1	0	0	1	0	PWM8	read/write	brightness control LED8
13h	0	0	1	0	0	1	1	PWM9	read/write	brightness control LED9
14h	0	0	1	0	1	0	0	PWM10	read/write	brightness control LED10
15h	0	0	1	0	1	0	1	PWM11	read/write	brightness control LED11
16h	0	0	1	0	1	1	0	PWM12	read/write	brightness control LED12
17h	0	0	1	0	1	1	1	PWM13	read/write	brightness control LED13

Table 6. Register summary<sup>[1]</sup>...continued

Register number (hexadecimal)	D6	D5	D4	D3	D2	D1	D0	Name	Type	Function
18h	0	0	1	1	0	0	0	PWM14	read/write	brightness control LED14
19h	0	0	1	1	0	0	1	PWM15	read/write	brightness control LED15
1Ah to 21h	-	-	-	-	-	-	-	-	read/write	not used <sup>[1]</sup>
22h	0	1	0	0	0	1	0	IREF0	read/write	output gain control register 0
23h	0	1	0	0	0	1	1	IREF1	read/write	output gain control register 1
24h	0	1	0	0	1	0	0	IREF2	read/write	output gain control register 2
25h	0	1	0	0	1	0	1	IREF3	read/write	output gain control register 3
26h	0	1	0	0	1	1	0	IREF4	read/write	output gain control register 4
27h	0	1	0	0	1	1	1	IREF5	read/write	output gain control register 5
28h	0	1	0	1	0	0	0	IREF6	read/write	output gain control register 6
29h	0	1	0	1	0	0	1	IREF7	read/write	output gain control register 7
2Ah	0	1	0	1	0	1	0	IREF8	read/write	output gain control register 8
2Bh	0	1	0	1	0	1	1	IREF9	read/write	output gain control register 9
2Ch	0	1	0	1	1	0	0	IREF10	read/write	output gain control register 10
2Dh	0	1	0	1	1	0	1	IREF11	read/write	output gain control register 11
2Eh	0	1	0	1	1	1	0	IREF12	read/write	output gain control register 12
2Fh	0	1	0	1	1	1	1	IREF13	read/write	output gain control register 13
30h	0	1	1	0	0	0	0	IREF14	read/write	output gain control register 14
31h	0	1	1	0	0	0	1	IREF15	read/write	output gain control register 15
32h to 39h	-	-	-	-	-	-	-	-	read/write	not used <sup>[1]</sup>
3Ah	0	1	1	1	0	1	0	OFFSET	read/write	Offset/delay on LEDn outputs
3Bh	0	1	1	1	0	1	1	SUBADR1	read/write	I <sup>2</sup> C-bus subaddress 1
3Ch	0	1	1	1	1	0	0	SUBADR2	read/write	I <sup>2</sup> C-bus subaddress 2
3Dh	0	1	1	1	1	0	1	SUBADR3	read/write	I <sup>2</sup> C-bus subaddress 3
3Eh	0	1	1	1	1	1	0	ALLCALLADR	read/write	All Call I <sup>2</sup> C-bus address
3Fh	0	1	1	1	1	1	1	RESERVED1	read/write	reserved <sup>[2]</sup>
40h	1	0	0	0	0	0	0	RESERVED2	read only	reserved <sup>[2]</sup>
41h	1	0	0	0	0	0	1	RESERVED3	read only	reserved <sup>[2]</sup>
42h	1	0	0	0	0	1	0	PWMALL	write only	brightness control for all LEDn
43h	1	0	0	0	0	1	1	IREFALL	write only	output gain control for all registers IREF0 to IREF15
44h	1	0	0	0	1	0	0	EFLAG0	read only	output error flag 0
45h	1	0	0	0	1	0	1	EFLAG1	read only	output error flag 1
46h to 7Fh	-	-	-	-	-	-	-	-	read only	not used <sup>[1]</sup>

[1] **Remark:** Writing to registers marked 'not used' will return a NACK.[2] **Remark:** Writing to registers marked 'reserved' will not change any functionality in the chip.

### 7.3.1 MODE1 — Mode register 1

Table 7. MODE1 - Mode register 1 (address 00h) bit description

Legend: \* default value.

Bit	Symbol	Access	Value	Description
7	AIF	read only	0	Register Auto-Increment disabled.
			1*	Register Auto-Increment enabled.
6	AI1	R/W	0*	Auto-Increment bit 1 = 0. Auto-increment range as defined in <a href="#">Table 5</a> .
			1	Auto-Increment bit 1 = 1. Auto-increment range as defined in <a href="#">Table 5</a> .
5	AI0	R/W	0*	Auto-Increment bit 0 = 0. Auto-increment range as defined in <a href="#">Table 5</a> .
			1	Auto-Increment bit 0 = 1. Auto-increment range as defined in <a href="#">Table 5</a> .
4	SLEEP	R/W	0*	Normal mode <sup>[1]</sup> .
			1	Low-power mode. Oscillator off <sup>[2][3]</sup> .
3	SUB1	R/W	0	PCA9952; PCA9955 does not respond to I <sup>2</sup> C-bus subaddress 1.
			1*	PCA9952; PCA9955 responds to I <sup>2</sup> C-bus subaddress 1.
2	SUB2	R/W	0*	PCA9952; PCA9955 does not respond to I <sup>2</sup> C-bus subaddress 2.
			1	PCA9952; PCA9955 responds to I <sup>2</sup> C-bus subaddress 2.
1	SUB3	R/W	0*	PCA9952; PCA9955 does not respond to I <sup>2</sup> C-bus subaddress 3.
			1	PCA9952; PCA9955 responds to I <sup>2</sup> C-bus subaddress 3.
0	ALLCALL	R/W	0	PCA9952; PCA9955 does not respond to LED All Call I <sup>2</sup> C-bus address.
			1*	PCA9952; PCA9955 responds to LED All Call I <sup>2</sup> C-bus address.

[1] It takes 500 µs max. for the oscillator to be up and running once SLEEP bit has been set to logic 0. Timings on LEDn outputs are not guaranteed if PWMx, GRPPWM or GRPFREQ registers are accessed within the 500 µs window.

[2] No blinking or dimming is possible when the oscillator is off.

[3] The device must be reset if the LED driver output state is set to LDRx=11 after the device is set back to Normal mode.

### 7.3.2 MODE2 — Mode register 2

Table 8. MODE2 - Mode register 2 (address 01h) bit description

Legend: \* default value.

Bit	Symbol	Access	Value	Description
7	OVERTEMP	read only	0*	O.K.
			1	overtemperature condition
6	FAULTTEST	R/W	0*	LED fault test complete
			1	start fault test
5	DMBLNK	R/W	0*	group control = dimming.
			1	group control = blinking.
4	-	read only	0*	reserved
3	OCH	R/W	0*	outputs change on STOP command
			1	outputs change on ACK
2	-	read only	1*	reserved

Table 8. MODE2 - Mode register 2 (address 01h) bit description...continued

Legend: \* default value.

Bit	Symbol	Access	Value	Description
1	-	read only	0*	reserved
0	-	read only	1*	reserved

7.3.3 LEDOUT0 to LEDOUT3, LED driver output state

Table 9. LEDOUT0 to LEDOUT3 - LED driver output state registers (address 02h to 05h) bit description

Legend: \* default value.

Address	Register	Bit	Symbol	Access	Value	Description
02h	LEDOUT0	7:6	LDR3	R/W	00*	LED3 output state control
		5:4	LDR2	R/W	00*	LED2 output state control
		3:2	LDR1	R/W	00*	LED1 output state control
		1:0	LDR0	R/W	00*	LED0 output state control
03h	LEDOUT1	7:6	LDR7	R/W	00*	LED7 output state control
		5:4	LDR6	R/W	00*	LED6 output state control
		3:2	LDR5	R/W	00*	LED5 output state control
		1:0	LDR4	R/W	00*	LED4 output state control
04h	LEDOUT2	7:6	LDR11	R/W	00*	LED11 output state control
		5:4	LDR10	R/W	00*	LED10 output state control
		3:2	LDR9	R/W	00*	LED9 output state control
		1:0	LDR8	R/W	00*	LED8 output state control
05h	LEDOUT3	7:6	LDR15	R/W	00*	LED15 output state control
		5:4	LDR14	R/W	00*	LED14 output state control
		3:2	LDR13	R/W	00*	LED13 output state control
		1:0	LDR12	R/W	00*	LED12 output state control

**LDRx = 00**

LED driver x is off (default power-up state).

**LDRx = 01**

LED driver x is fully on (individual brightness and group dimming/blinking not controlled).

**LDRx = 10**

LED driver x individual brightness can be controlled through its PWMx register.

**LDRx = 11**

LED driver x individual brightness and group dimming/blinking can be controlled through its PWMx register and the GRPPWM registers.

**Remark:** Setting the device in low power mode while being on group dimming/blinking mode may cause the LED output state to be in an unknown state after the device is set back to normal mode. The device must be reset and all register values reprogrammed.

7.3.4 GRPPWM, group duty cycle control

Table 10. GRPPWM - Group brightness control register (address 08h) bit description

Legend: \* default value

Address	Register	Bit	Symbol	Access	Value	Description
08h	GRPPWM	7:0	GDC[7:0]	R/W	1111 1111*	GRPPWM register

When DMBLNK bit (MODE2 register) is programmed with logic 0, a 122 Hz fixed frequency signal is superimposed with the 31.25 kHz individual brightness control signal. GRPPWM is then used as a global brightness control allowing the LEDn outputs to be dimmed with the same value. The value in GRPFREQ is then a 'Don't care'.

General brightness for the 16 outputs is controlled through 256 linear steps from 00h (0 % duty cycle = LEDn output off) to FFh (99.6 % duty cycle = maximum brightness). Applicable to LEDn outputs programmed with LDRx = 11 (LEDOUT0 to LEDOUT3 registers).

When DMBLNK bit is programmed with logic 1, GRPPWM and GRPFREQ registers define a global blinking pattern, where GRPFREQ contains the blinking period (from 67 ms to 16.8 s) and GRPPWM the duty cycle (ON/OFF ratio in %).

$$duty\ cycle = \frac{GDC[7:0]}{256} (1)$$

7.3.5 GRPFREQ, group frequency

Table 11. GRPFREQ - Group frequency register (address 09h) bit description

Legend: \* default value.

Address	Register	Bit	Symbol	Access	Value	Description
09h	GRPFREQ	7:0	GFRQ[7:0]	R/W	0000 0000*	GRPFREQ register

GRPFREQ is used to program the global blinking period when DMBLNK bit (MODE2 register) is equal to 1. Value in this register is a 'Don't care' when DMBLNK = 0. Applicable to LEDn outputs programmed with LDRx = 11 (LEDOUT0 to LEDOUT3 registers).

Blinking period is controlled through 256 linear steps from 00h (67 ms, frequency 15 Hz) to FFh (16.8 s).

$$global\ blinking\ period = \frac{GFRQ[7:0]+1}{15.26} (s) (2)$$

7.3.6 PWM0 to PWM15, individual brightness control

Table 12. PWM0 to PWM15 - PWM registers 0 to 15 (address 0Ah to 19h) bit description

Legend: \* default value.

Address	Register	Bit	Symbol	Access	Value	Description
0Ah	PWM0	7:0	IDC0[7:0]	R/W	0000 0000*	PWM0 Individual Duty Cycle
0Bh	PWM1	7:0	IDC1[7:0]	R/W	0000 0000*	PWM1 Individual Duty Cycle
0Ch	PWM2	7:0	IDC2[7:0]	R/W	0000 0000*	PWM2 Individual Duty Cycle

**Table 12. PWM0 to PWM15 - PWM registers 0 to 15 (address 0Ah to 19h) bit description...continued**

Legend: \* default value.

Address	Register	Bit	Symbol	Access	Value	Description
0Dh	PWM3	7:0	IDC3[7:0]	R/W	0000 0000*	PWM3 Individual Duty Cycle
0Eh	PWM4	7:0	IDC4[7:0]	R/W	0000 0000*	PWM4 Individual Duty Cycle
0Fh	PWM5	7:0	IDC5[7:0]	R/W	0000 0000*	PWM5 Individual Duty Cycle
10h	PWM6	7:0	IDC6[7:0]	R/W	0000 0000*	PWM6 Individual Duty Cycle
11h	PWM7	7:0	IDC7[7:0]	R/W	0000 0000*	PWM7 Individual Duty Cycle
12h	PWM8	7:0	IDC8[7:0]	R/W	0000 0000*	PWM8 Individual Duty Cycle
13h	PWM9	7:0	IDC9[7:0]	R/W	0000 0000*	PWM9 Individual Duty Cycle
14h	PWM10	7:0	IDC10[7:0]	R/W	0000 0000*	PWM10 Individual Duty Cycle
15h	PWM11	7:0	IDC11[7:0]	R/W	0000 0000*	PWM11 Individual Duty Cycle
16h	PWM12	7:0	IDC12[7:0]	R/W	0000 0000*	PWM12 Individual Duty Cycle
17h	PWM13	7:0	IDC13[7:0]	R/W	0000 0000*	PWM13 Individual Duty Cycle
18h	PWM14	7:0	IDC14[7:0]	R/W	0000 0000*	PWM14 Individual Duty Cycle
19h	PWM15	7:0	IDC15[7:0]	R/W	0000 0000*	PWM15 Individual Duty Cycle

A 31.25 kHz fixed frequency signal is used for each output. Duty cycle is controlled through 256 linear steps from 00h (0 % duty cycle = LEDn output off) to FFh (99.6 % duty cycle = LEDn output at maximum brightness). Applicable to LEDn outputs programmed with LDRx = 10 or 11 (LEDOUT0 to LEDOUT3 registers).

$$duty\ cycle = \frac{IDC_x[7:0]}{256} \quad (3)$$

**Remark:** The first lower end 8 steps of PWM and the last (higher end) steps of PWM will not have effective brightness control of LEDs due to edge rate control of LEDn output pins.

**7.3.7 IREF0 to IREF15, LEDn output current value registers**

These registers reflect the gain settings for output current for LED0 to LED15.

**Table 13. IREF0 to IREF15 - LEDn output gain control registers (address 22h to 31h) bit description**

Legend: \* default value.

Address	Register	Bit	Access	Value	Description
22h	IREF0	7:0	R/W	00h*	LED0 output current setting
23h	IREF1	7:0	R/W	00h*	LED1 output current setting
24h	IREF2	7:0	R/W	00h*	LED2 output current setting
25h	IREF3	7:0	R/W	00h*	LED3 output current setting
26h	IREF4	7:0	R/W	00h*	LED4 output current setting
27h	IREF5	7:0	R/W	00h*	LED5 output current setting
28h	IREF6	7:0	R/W	00h*	LED6 output current setting

**Table 13. IREF0 to IREF15 - LEDn output gain control registers (address 22h to 31h) bit description...continued**

Legend: \* default value.

Address	Register	Bit	Access	Value	Description
29h	IREF7	7:0	R/W	00h*	LED7 output current setting
2Ah	IREF8	7:0	R/W	00h*	LED8 output current setting
2Bh	IREF9	7:0	R/W	00h*	LED9 output current setting
2Ch	IREF10	7:0	R/W	00h*	LED10 output current setting
2Dh	IREF11	7:0	R/W	00h*	LED11 output current setting
2Eh	IREF12	7:0	R/W	00h*	LED12 output current setting
2Fh	IREF13	7:0	R/W	00h*	LED13 output current setting
30h	IREF14	7:0	R/W	00h*	LED14 output current setting
31h	IREF15	7:0	R/W	00h*	LED15 output current setting

**7.3.8 OFFSET — LEDn output delay offset register**

**Table 14. OFFSET - LEDn output delay offset register (address 3Ah) bit description**

Legend: \* default value.

Address	Register	Bit	Access	Value	Description
3Ah	OFFSET	7:4	read only	0000*	not used
		3:0	R/W	1000*	LEDn output delay offset factor

The OFFSET register should not be changed while the LEDn output is on and pulsing.

The PCA9955 can be programmed to have turn-on delay between LEDn outputs. This helps to reduce peak current for the V<sub>DD</sub> supply and reduces EMI.

The order in which the LEDn outputs are enabled will always be the same (channel 0 will enable first and channel 15 will enable last).

OFFSET control register bits [3:0] determine the delay used between the turn-on times as follows:

- 0000 = no delay between outputs (all on, all off at the same time)
- 0001 = delay of 1 clock cycle (125 ns) between successive outputs
- 0010 = delay of 2 clock cycles (250 ns) between successive outputs
- 0011 = delay of 3 clock cycles (375 ns) between successive outputs
- :
- 1111 = delay of 15 clock cycles (1.875 µs) between successive outputs

**Example:** If the value in the OFFSET register is 1000 the corresponding delay = 8 × 125 ns = 1 µs delay between successive outputs.

- channel 0 turns on at time 0 µs
- channel 1 turns on at time 1 µs
- channel 2 turns on at time 2 µs
- channel 3 turns on at time 3 µs
- channel 4 turns on at time 4 µs
- channel 5 turns on at time 5 µs



channel 6 turns on at time 6 μs  
 channel 7 turns on at time 7 μs  
 channel 8 turns on at time 8 μs  
 channel 9 turns on at time 9 μs  
 channel 10 turns on at time 10 μs  
 channel 11 turns on at time 11 μs  
 channel 12 turns on at time 12 μs  
 channel 13 turns on at time 13 μs  
 channel 14 turns on at time 14 μs  
 channel 15 turns on at time 15 μs

**7.3.9 LED bit Sub Call I<sup>2</sup>C-bus addresses for PCA9952/55**

**Table 15. SUBADR1 to SUBADR3 - I<sup>2</sup>C-bus subaddress registers 1 to 3 (address 3Bh to 3Dh) bit description**

Legend: \* default value.

Address	Register	Bit	Symbol	Access	Value	Description
3Bh	SUBADR1	7:1	A1[7:1]	R/W	1110 110*	I <sup>2</sup> C-bus subaddress 1
		0	A1[0]	R only	0*	reserved
3Ch	SUBADR2	7:1	A2[7:1]	R/W	1110 110*	I <sup>2</sup> C-bus subaddress 2
		0	A2[0]	R only	0*	reserved
3Dh	SUBADR3	7:1	A3[7:1]	R/W	1110 110*	I <sup>2</sup> C-bus subaddress 3
		0	A3[0]	R only	0*	reserved

Default power-up values are ECh, ECh, ECh. At power-up, SUBADR1 is enabled while SUBADR2 and SUBADR3 are disabled. The power-up default bit subaddress of ECh indicates that this device is a 16-channel LED driver.

All three subaddresses are programmable. Once subaddresses have been programmed to their right values, SUBx bits need to be set to logic 1 in order to have the device acknowledging these addresses (MODE1 register) (0). When SUBx is set to logic 1, the corresponding I<sup>2</sup>C-bus subaddress can be used during either an I<sup>2</sup>C-bus read or write sequence.

**7.3.10 ALLCALLADR, LED All Call I<sup>2</sup>C-bus address**

**Table 16. ALLCALLADR - LED All Call I<sup>2</sup>C-bus address register (address 3Eh) bit description**

Legend: \* default value.

Address	Register	Bit	Symbol	Access	Value	Description
3Eh	ALLCALLADR	7:1	AC[7:1]	R/W	1110 000*	ALLCALL I <sup>2</sup> C-bus address register
		0	AC[0]	R only	0*	reserved

The LED All Call I<sup>2</sup>C-bus address allows all the PCA9952/55s on the bus to be programmed at the same time (ALLCALL bit in register MODE1 must be equal to logic 1 (power-up default state)). This address is programmable through the I<sup>2</sup>C-bus and can be used during either an I<sup>2</sup>C-bus read or write sequence. The register address can also be programmed as a Sub Call.

Only the 7 MSBs representing the All Call I<sup>2</sup>C-bus address are valid. The LSB in ALLCALLADR register is a read-only bit (0).

If ALLCALL bit = 0, the device does not acknowledge the address programmed in register ALLCALLADR.

**7.3.11 RESERVED1**

This register is reserved.

**7.3.12 RESERVED2, RESERVED3**

These registers are reserved.

**7.3.13 PWMALL — brightness control for all LEDn outputs**

When programmed, the value in this register will be used for PWM duty cycle for all the LEDn outputs and will be reflected in PWM0 through PWM15 registers.

Write to any of the PWM0 to PWM15 registers will overwrite the value in corresponding PWMn register programmed by PWMALL.

**Table 17. PWMALL - brightness control for all LEDn outputs register (address 42h) bit description**

Legend: \* default value.

Address	Register	Bit	Access	Value	Description
42h	PWMALL	7:0	write only	0000 0000*	duty cycle for all LEDn outputs

**7.3.14 IREFALL register: output current value for all LEDn outputs**

The output current setting for all outputs is held in this register. When this register is written to or updated, all LEDn outputs will be set to a current corresponding to this register value.

Write to IREF0 to IREF15 will overwrite the output current settings.

**Table 18. IREFALL - Output gain control for all LEDn outputs (address 43h) bit description**

Legend: \* default value.

Bit	Symbol	Access	Value	Description
7:0	IREFALL	write only	00h*	Current gain setting for all LEDn outputs.

**7.3.15 LED driver constant current outputs**

In LED display applications, PCA9952/55 provides nearly no current variations from channel to channel and from device to device. The maximum current skew between channels is less than ±6 % and less than ±8 % between devices.

**7.3.15.1 Adjusting output peak current**

The PCA9952/55 scales up the reference current ( $I_{ref}$ ) set by the external resistor ( $R_{ext}$ ) to sink the output current ( $I_O$ ) at each output port. The maximum output peak current for the outputs can be set using  $R_{ext}$ . In addition, the constant value for current drive at each of the outputs is independently programmable using command registers IREF0 to

IREF15. Alternatively, programming the IREFALL register allows all outputs to be set at one current value determined by the value in IREFALL register.

Equation 4 and Equation 5 can be used to calculate the minimum and maximum constant current values that can be programmed for the outputs for a chosen R<sub>ext</sub>.

$$I_{O\_LED\_LSB} = \frac{900mV}{R_{ext}} \times \frac{1}{4} \quad (4)$$

$$I_{O\_LED\_MAX} = (255 \times I_{O\_LED\_LSB}) = \left( \frac{900mV}{R_{ext}} \times \frac{255}{4} \right) \quad (5)$$

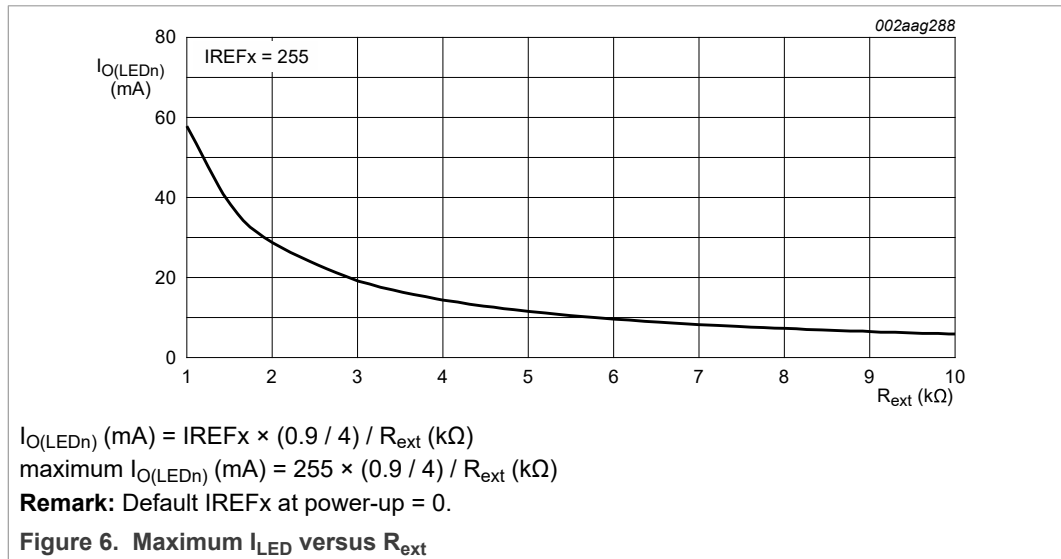
For a given IREF<sub>x</sub> setting,  $I_{O\_LED} = IREF_x \times \frac{900mV}{R_{ext}} \times \frac{1}{4}$ .

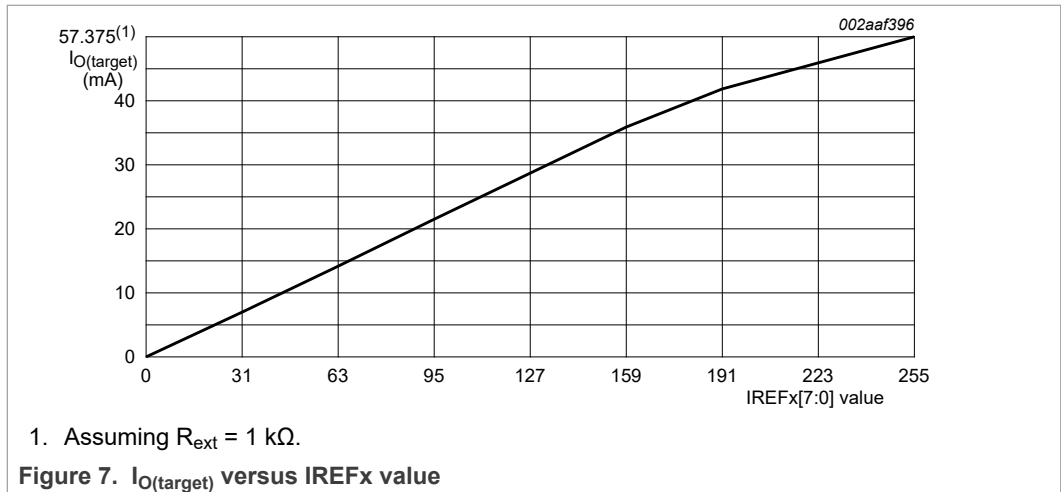
**Example 1:** If R<sub>ext</sub> = 1 kΩ, I<sub>O\\_LED\\_LSB</sub> = 225 μA, I<sub>O\\_LED\\_MAX</sub> = 57.375 mA.

So each channel can be programmed with its individual IREF<sub>x</sub> in 256 steps and in 225 μA increments to a maximum output current of 57.375 mA independently.

**Example 2:** If R<sub>ext</sub> = 2 kΩ, I<sub>O\\_LED\\_LSB</sub> = 112.5 μA, I<sub>O\\_LED\\_MAX</sub> = 28.687 mA.

So each channel can be programmed with its individual IREF<sub>x</sub> in 256 steps and in 112.5 μA increments to a maximum output channel of 28.687 mA independently.





7.3.16 LED error detection

The PCA9952/55 is capable of detecting an LED open or a short condition at its LEDn output. To detect LED error status, user must initiate the LEDn output fault test. The LEDout channel under test must be ON to conduct this test.

Setting MODE2[6] = 1 initiates the FAULTTEST. The entire test sequence takes up to 52  $\mu$ s. Once the test cycle begins, all outputs will be turned off (no matter where they are in the group or individual PWM cycle) until entire test sequence is finished and next register read or write is activated. Then each output will be enabled at its previously defined output current level based on IREFx for 1.25  $\mu$ s. Only those channels with an LEDOUT value other than 00h will be tested. If the output is selected to be fully on, individual dim, or individual and group dim that channel will be tested; however, its operation will be affected for one entire 32  $\mu$ s individual PWM cycle. At the end of the test cycle PCA9952/55 writes out the 16 error flag bits to EFLAGn.

Before reading the error flag register EFLAGn, user should verify if the FAULTTEST is complete by reading MODE2 register. MODE2[6] = 0 indicates that the test is complete and the error status is ready in EFLAG0 and EFLAG1.

The error flags in registers EFLAG0 and EFLAG1 can now be read.

Table 19. EFLAG0, EFLAG1 - Error flag registers (address 44h, 45h) bit description

Legend: \* default value.

Address	Register	Bit	Access	Value	Description
44h	EFLAG0	7:0	R only	00h*	Error flag 0; lower 8-bit channel error status
45h	EFLAG1	7:0	R only	00h*	Error flag 1; upper 8-bit channel error status

**Remark:** The LED open and short-circuit error status bits share the same error flag registers (EFLAG0/EFLAG1). If both LED open and short-circuit conditions exist on different LED outputs, the error status bits in error flag registers report only the open-circuits first and disregards the short-circuits. If only one of the two conditions (that is, LED open-circuits or short-circuits) exists, then the error status bits in error flag registers will report all of those faulted channels. For all unused LED outputs, user must program their LED outputs to the 'OFF' state (LDRx = 00) and IREFx value to 00h, and all unused LED output pins must be pulled up to  $V_{DD}$  with a recommended 100 k $\Omega$  shared resistor.

The states of the unused LED channels have no effect upon the FAULTTEST and always return 0s in EFLAG0/EFLAG1 registers.

7.3.16.1 Open-circuit detection principle

The PCA9952/55 LED open-circuit detection compares the effective current level  $I_O$  with the open load detection threshold current  $I_{th(det)}$ . If  $I_O$  is below the threshold  $I_{th(det)}$ , the PCA9952/55 detects an open load condition. This error status can be read out as an error flag through the registers EFLAG0 and EFLAG1. For open-circuit error detection of an output channel, that channel must be ON.

Table 20. Open-circuit detection

State of output port	Condition of output current	Error status code	Description
OFF	$I_O = 0 \text{ mA}$	0	detection not possible
ON	$I_O < I_{th(det)}^{[1]}$	1	open-circuit
	$I_O \geq I_{th(det)}^{[1]}$	channel n error status bit 0	normal

[1]  $I_{th(det)} = 0.5 \times I_{O(target)}$  (typical). This threshold may be different for each I/O and only depends on IREFx and R<sub>ext</sub>.

7.3.16.2 Short-circuit detection principle

The LED short-circuit detection compares the effective voltage level ( $V_O$ ) with the shorted-load detection threshold voltages  $V_{th(trig)}$ . If  $V_O$  is above the  $V_{th(trig)}$  threshold, the PCA9952/55 detects a shorted-load condition. If  $V_O$  is below the  $V_{th(trig)}$  threshold, no error is detected or error bit is reset. This error status can be read out as an error flag through the registers EFLAG0 and EFLAG1. For short-circuit error detection, a channel must be on.

Table 21. Shorted-load detection

State of output port	Condition of output voltage	Error status code	Description
OFF	-	0	detection not possible
ON	$V_O \geq V_{th(trig)}^{[1]}$	1	short-circuit
	$V_O < V_{th(trig)}^{[1]}$	channel n error status bit 0	normal

[1]  $V_{th} \cong 2.5 \text{ V}$ .

**Remark:** The error status does not distinguish between an LED short condition and an LED open condition. When an LED fault condition is noted, the LEDn outputs should be turned off to prevent heat dissipation in the chip and the repair should be done.

7.3.17 Overtemperature protection

If the PCA9952/55 chip temperature exceeds its limit ( $T_{th(otp)}$ , see Table 24), all output channels will be disabled until the temperature drops below its limit minus a small hysteresis ( $T_{hys}$ , see Table 24). When an overtemperature situation is encountered, the OVERTEMP flag (bit 7) is set in the MODE2 register. Once the die temperature reduces below the  $T_{th(otp)} - T_{hys}$ , the chip will return to the same condition it was prior to the overtemperature event and the OVERTEMP flag will be cleared.

## 7.4 Active LOW output enable input

**Remark:** Only the PCA9952 has the  $\overline{OE}$  pin.

The active LOW output enable ( $\overline{OE}$ ) pin on PCA9952 allows to enable or disable all the LEDn outputs at the same time.

- When a LOW level is applied to  $\overline{OE}$  pin, all the LEDn outputs are enabled.
- When a HIGH level is applied to  $\overline{OE}$  pin, all the LEDn outputs are high-impedance.

The  $\overline{OE}$  pin can be used as a synchronization signal to switch on/off several PCA9952 devices at the same time. This requires an external clock reference that provides blinking period and the duty cycle.

The  $\overline{OE}$  pin can also be used as an external dimming control signal. The frequency of the external clock must be high enough not to be seen by the human eye, and the duty cycle value determines the brightness of the LEDs.

**Remark:** Do not use  $\overline{OE}$  as an external blinking control signal when internal global blinking is selected (DMBLNK = 1, MODE2 register) since it will result in an undefined blinking pattern. Do not use  $\overline{OE}$  as an external dimming control signal when internal global dimming is selected (DMBLNK = 0, MODE2 register) since it will result in an undefined dimming pattern.

## 7.5 Power-on reset

When power is applied to  $V_{DD}$ , an internal power-on reset holds the PCA9952/55 in a reset condition until  $V_{DD}$  has reached  $V_{POR}$ . At this point, the reset condition is released and the PCA9952/55 registers and I<sup>2</sup>C-bus state machine are initialized to their default states (all zeroes) causing all the channels to be deselected. Thereafter,  $V_{DD}$  must be pulled lower than 1 V and stay LOW for longer than 20  $\mu$ s. The device will reset itself, and allow 2 ms for the device to fully wake up.

## 7.6 Hardware reset recovery

When a reset of PCA9952/55 is activated using an active LOW input on the  $\overline{RESET}$  pin, a reset pulse width of 2.5  $\mu$ s minimum is required. The maximum wait time after  $\overline{RESET}$  pin is released is 1.5 ms.

## 7.7 Software reset

The Software Reset Call (SWRST Call) allows all the devices in the I<sup>2</sup>C-bus to be reset to the power-up state value through a specific formatted I<sup>2</sup>C-bus command. To be performed correctly, it implies that the I<sup>2</sup>C-bus is functional and that there is no device hanging the bus.

The maximum wait time after software reset is 1 ms.

The SWRST Call function is defined as the following:

1. A START command is sent by the I<sup>2</sup>C-bus master.
2. The reserved General Call address '0000 000' with the R/ $\overline{W}$  bit set to '0' (write) is sent by the I<sup>2</sup>C-bus master.
3. The PCA9952/55 device(s) acknowledge(s) after seeing the General Call address '0000 0000' (00h) only. If the R/ $\overline{W}$  bit is set to '1' (read), no acknowledge is returned to the I<sup>2</sup>C-bus master.

4. Once the General Call address has been sent and acknowledged, the master sends 1 byte with 1 specific value (SWRST data byte 1):
5. Byte 1 = 06h: the PCA9952/55 acknowledges this value only. If byte 1 is not equal to 06h, the PCA9952/55 does not acknowledge it.

If more than 1 byte of data is sent, the PCA9952/55 does not acknowledge any more.

1. Once the correct byte (SWRST data byte 1) has been sent and correctly acknowledged, the master sends a STOP command to end the SWRST function: the PCA9952/55 then resets to the default value (power-up value) and is ready to be addressed again within the specified bus free time (t<sub>BUF</sub>).

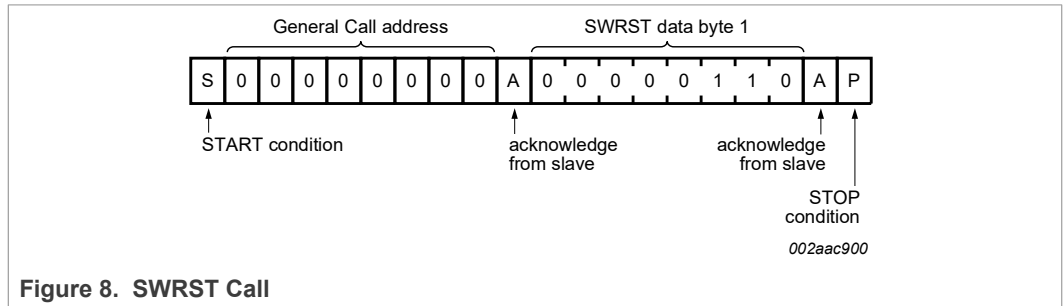


Figure 8. SWRST Call

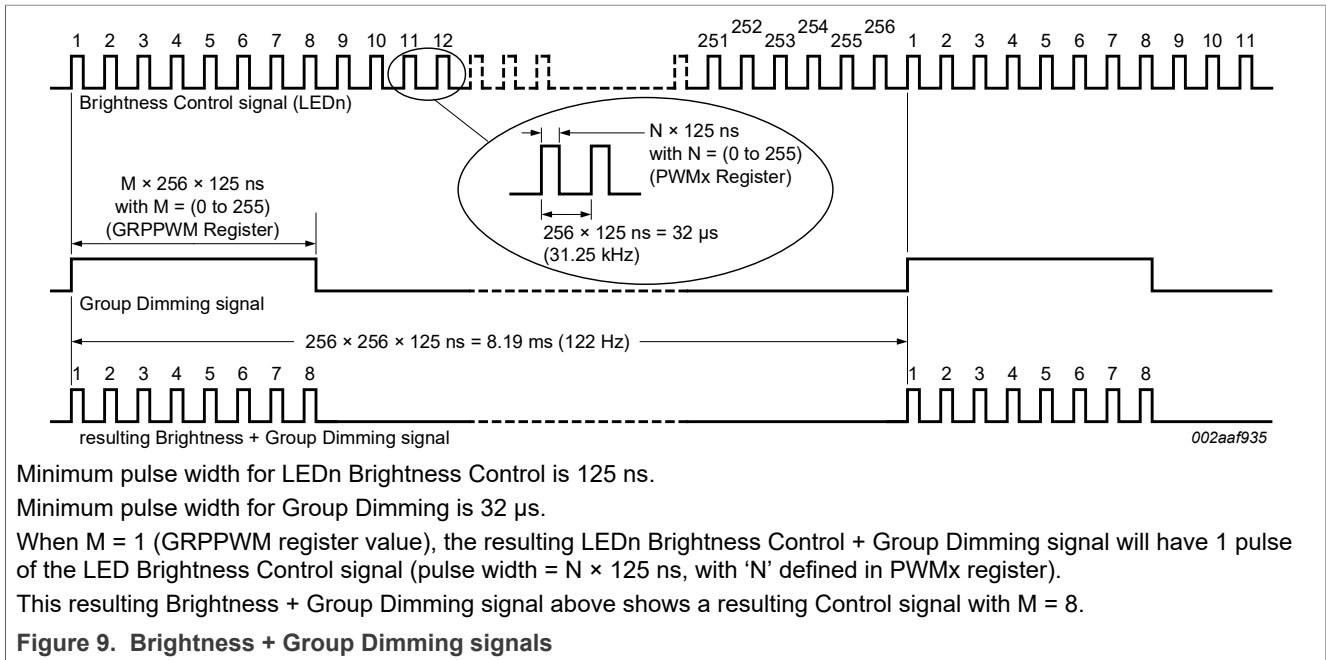
The I<sup>2</sup>C-bus master must interpret a non-acknowledge from the PCA9952/55 (at any time) as a 'SWRST Call Abort'. The PCA9952/55 does not initiate a reset of its registers. This happens only when the format of the SWRST Call sequence is not correct.

### 7.8 Individual brightness control with group dimming/blinking

A 31.25 kHz fixed frequency signal with programmable duty cycle (8 bits, 256 steps) is used to control individually the brightness for each LED.

On top of this signal, one of the following signals can be superimposed (this signal can be applied to the 16 LEDn outputs control registers LEDOUT0 to LEDOUT3):

- A lower 122 Hz fixed frequency signal with programmable duty cycle (8 bits, 256 steps) is used to provide a global brightness control.
- A programmable frequency signal from 15 Hz to every 16.8 seconds (8 bits, 256 steps) with programmable duty cycle (8 bits, 256 steps) is used to provide a global blinking control.

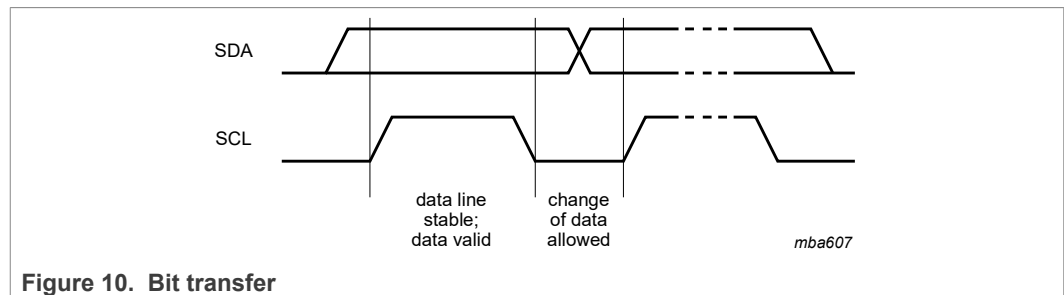


## 8 Characteristics of the I<sup>2</sup>C-bus

The I<sup>2</sup>C-bus is for 2-way, 2-line communication between different ICs or modules. The two lines are a serial data line (SDA) and a serial clock line (SCL). Both lines must be connected to a positive supply via a pull-up resistor when connected to the output stages of a device. Data transfer may be initiated only when the bus is not busy.

### 8.1 Bit transfer

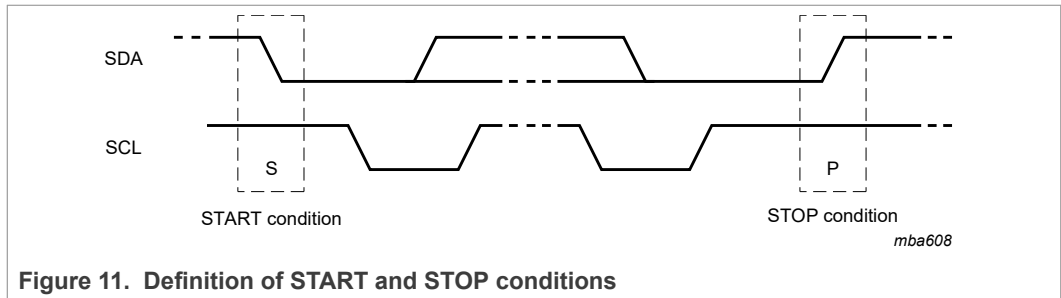
One data bit is transferred during each clock pulse. The data on the SDA line must remain stable during the HIGH period of the clock pulse as changes in the data line at this time will be interpreted as control signals (see [Figure 10](#)).



#### 8.1.1 START and STOP conditions

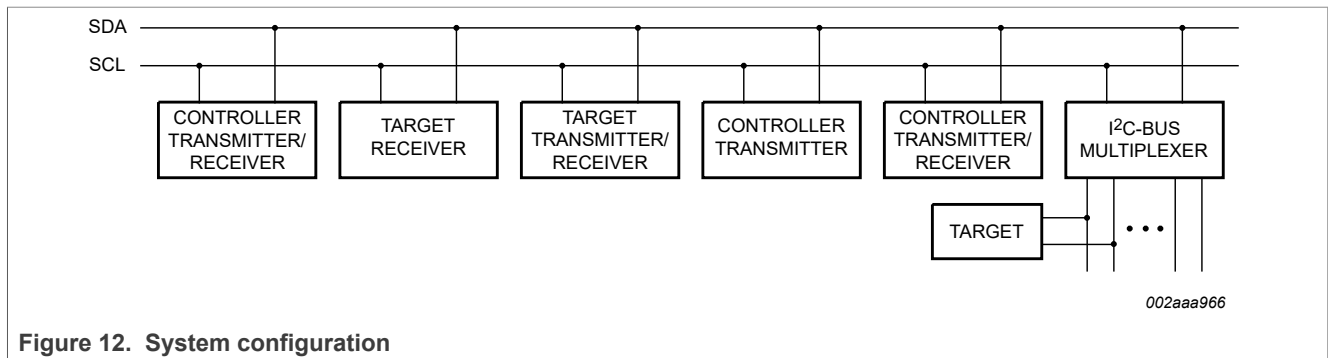
Both data and clock lines remain HIGH when the bus is not busy. A HIGH-to-LOW transition of the data line while the clock is HIGH is defined as the START condition (S). A LOW-to-HIGH transition of the data line while the clock is HIGH is defined as the STOP condition (P) (see [Figure 11](#)).





### 8.2 System configuration

A device generating a message is a ‘transmitter’; a device receiving is the ‘receiver’. The device that controls the message is the ‘master’ and the devices which are controlled by the master are the ‘slaves’ (see [Figure 12](#)).



### 8.3 Acknowledge

The number of data bytes transferred between the START and the STOP conditions from transmitter to receiver is not limited. Each byte of eight bits is followed by one acknowledge bit. The acknowledge bit is a HIGH level put on the bus by the transmitter, whereas the master generates an extra acknowledge related clock pulse.

A slave receiver which is addressed must generate an acknowledge after the reception of each byte. Also a master must generate an acknowledge after the reception of each byte that has been clocked out of the slave transmitter. The device that acknowledges has to pull down the SDA line during the acknowledge clock pulse, so that the SDA line is stable LOW during the HIGH period of the acknowledge related clock pulse; set-up time and hold time must be taken into account.

A master receiver must signal an end of data to the transmitter by not generating an acknowledge on the last byte that has been clocked out of the slave. In this event, the transmitter must leave the data line HIGH to enable the master to generate a STOP condition.

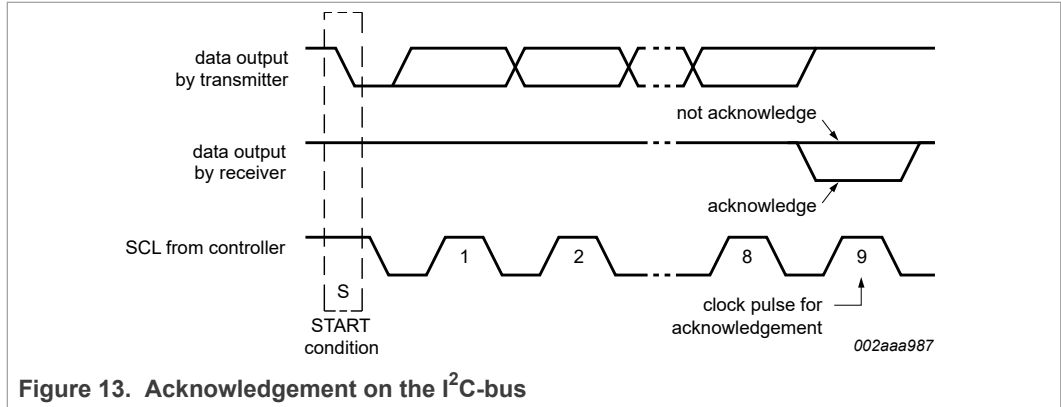
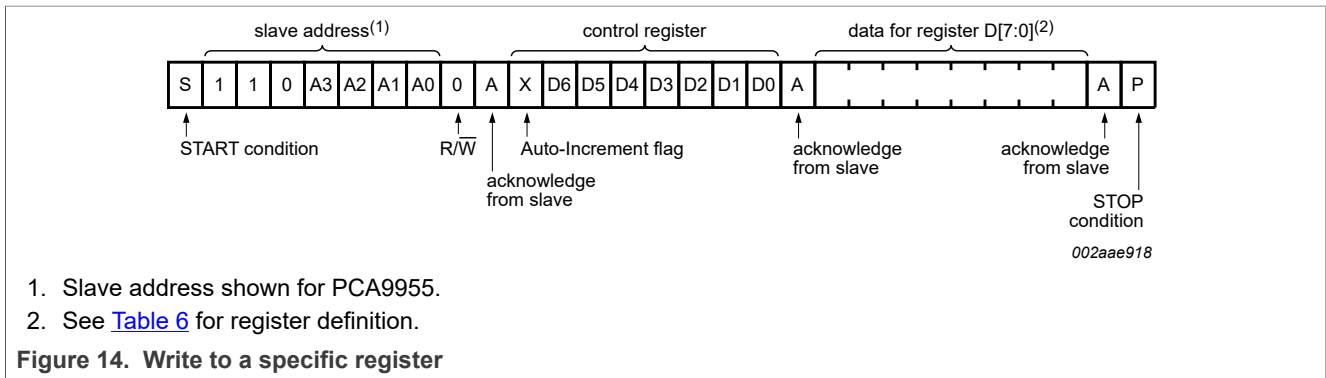


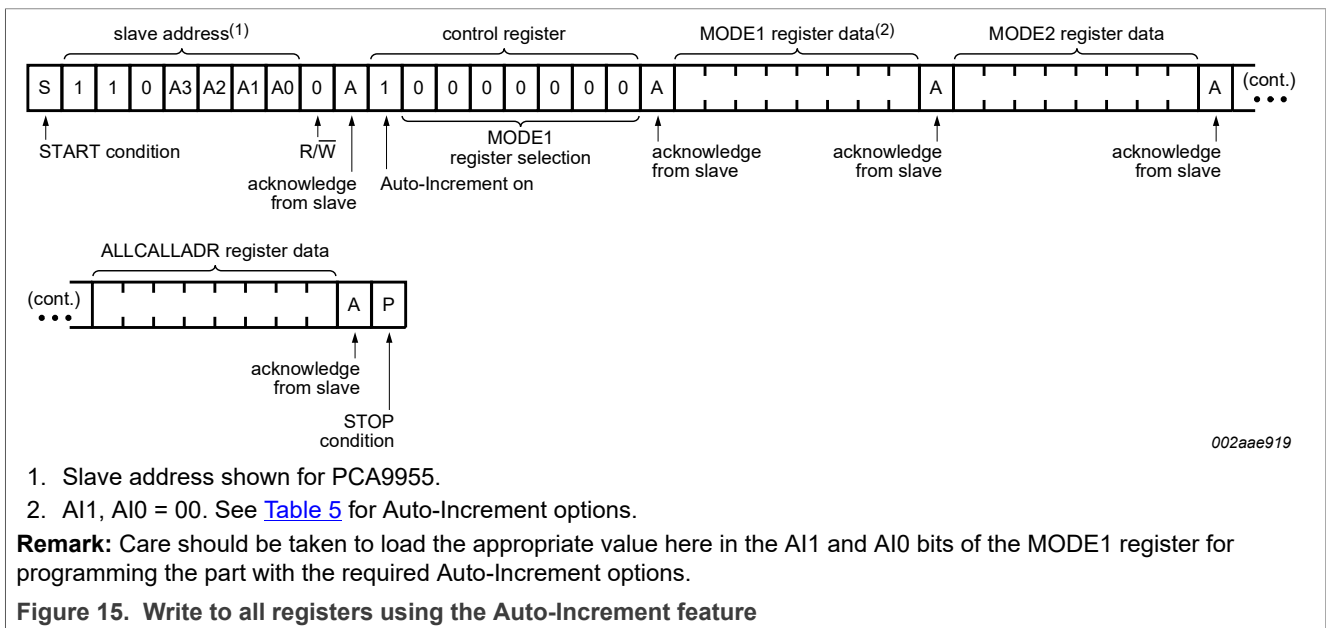
Figure 13. Acknowledgement on the I<sup>2</sup>C-bus

## 9 Bus transactions



1. Slave address shown for PCA9955.
2. See [Table 6](#) for register definition.

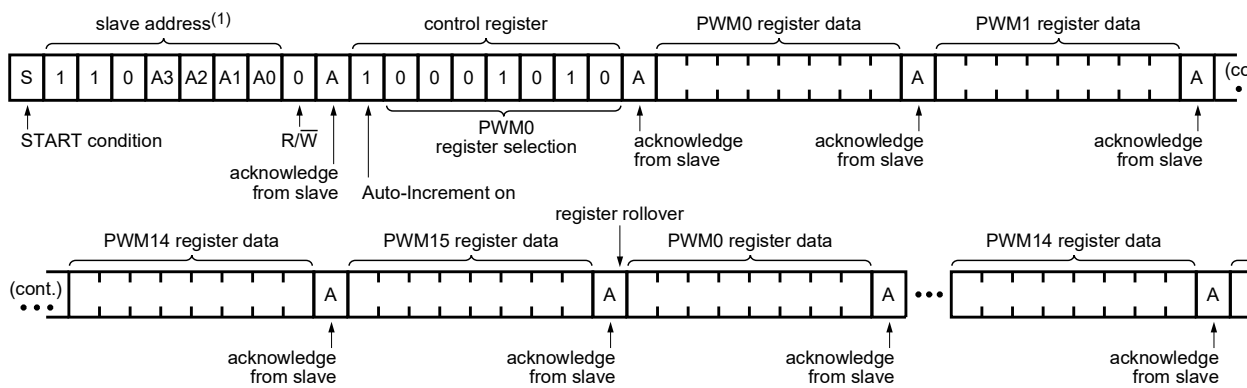
Figure 14. Write to a specific register



1. Slave address shown for PCA9955.
2. A11, A10 = 00. See [Table 5](#) for Auto-Increment options.

**Remark:** Care should be taken to load the appropriate value here in the A11 and A10 bits of the MODE1 register for programming the part with the required Auto-Increment options.

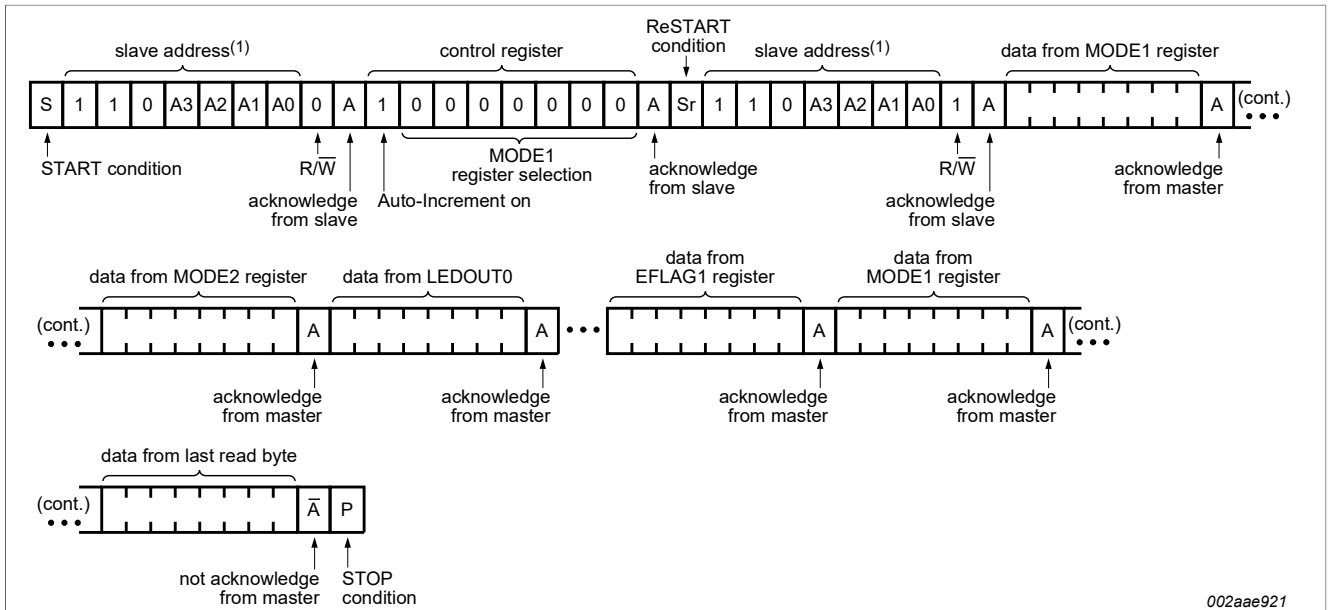
Figure 15. Write to all registers using the Auto-Increment feature



This example assumes that AIF + AI[1:0] = 101b.

1. Slave address shown for PCA9955.

**Figure 16. Multiple writes to Individual Brightness registers only using the Auto-Increment feature**

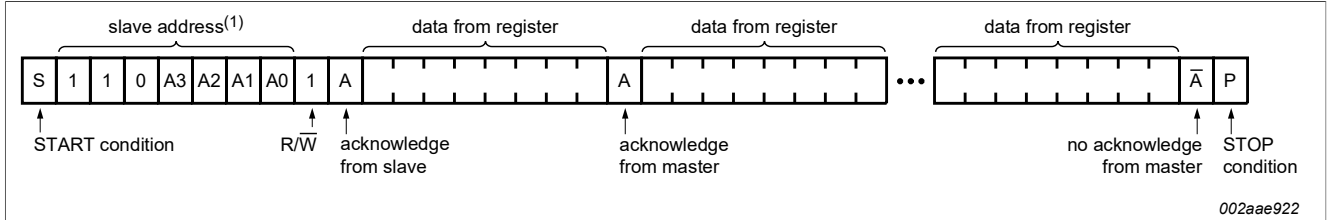


002aae921

This example assumes that the MODE1[5] = 0 and MODE1[6] = 0.

1. Slave address shown for PCA9955.

Figure 17. Read all registers using the Auto-Increment feature

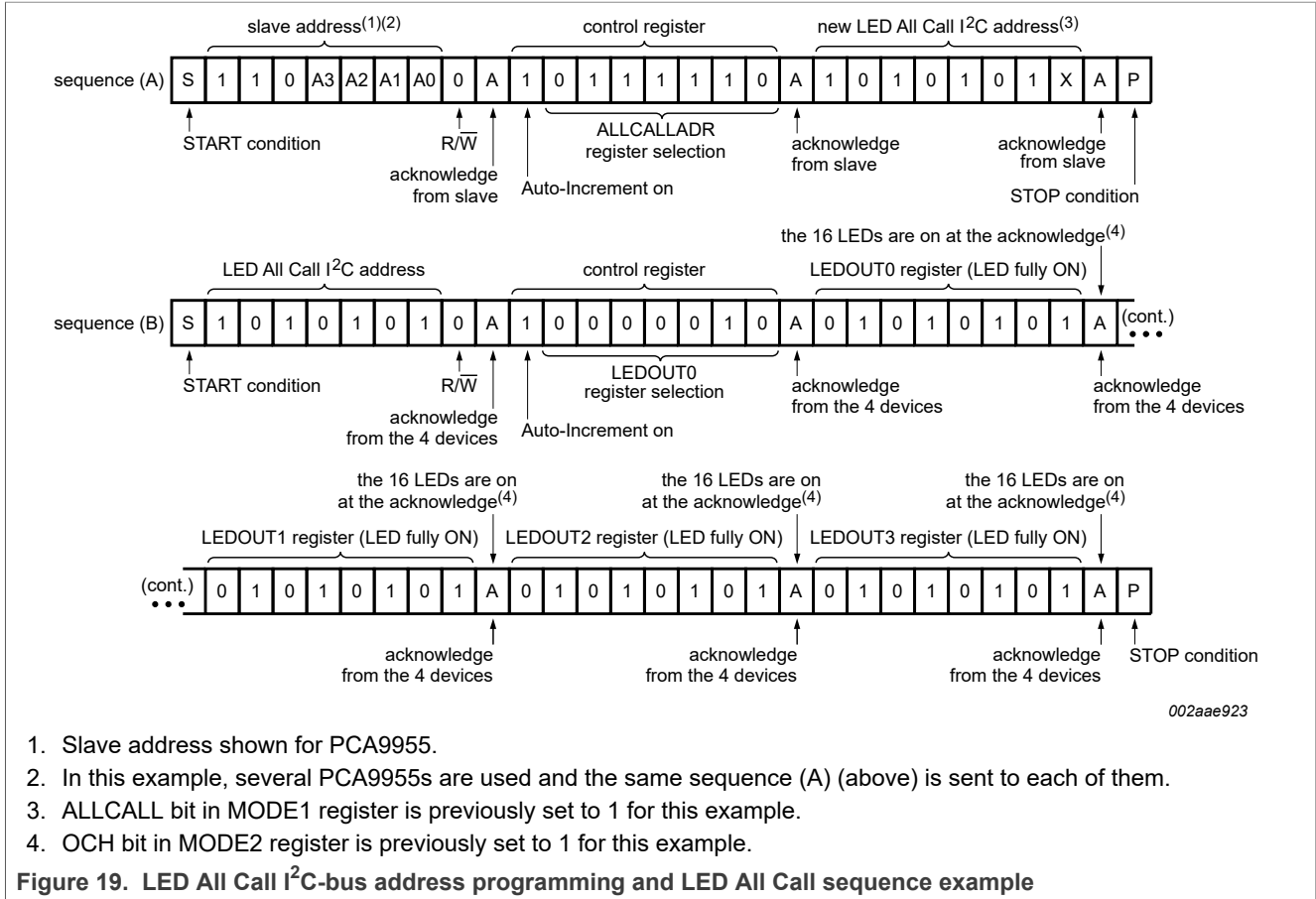


002aae922

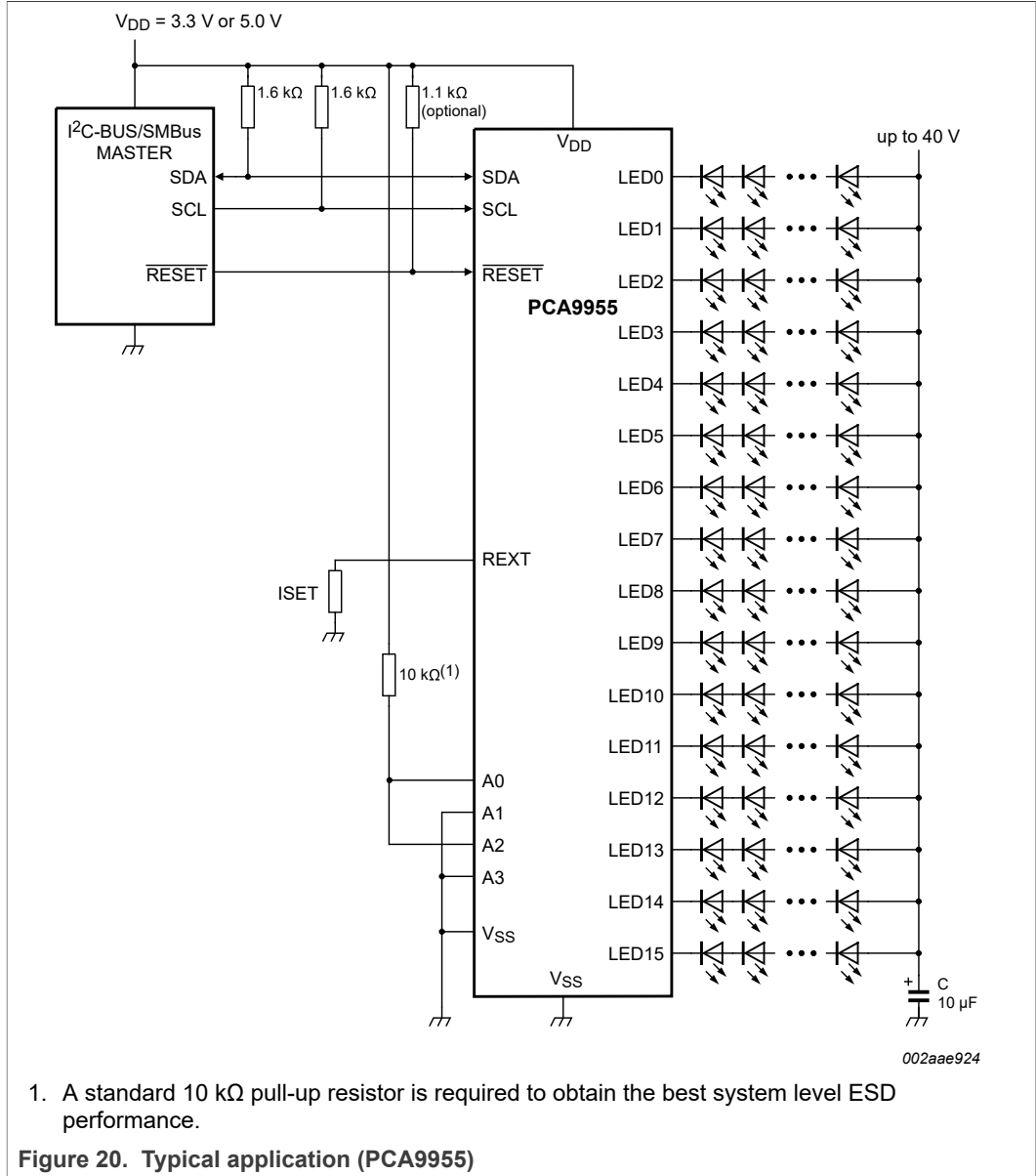
**Remark:** A read operation can be done without doing a write operation before it. In this case, the data sent out is from the register pointed to by the control register (written to during the last write operation) with the Auto-Increment options in the MODE1 register (written to during the last write operation).

1. Slave address shown for PCA9955.

Figure 18. Read of registers



### 10 Application design-in information



#### 10.1 Thermal considerations

Since the PCA9952/55 device integrates 16 linear current sources, thermal considerations should be taken into account to prevent overheating, which can cause the device to go into thermal shutdown.

Perhaps the major contributor for device's overheating is the LED forward voltage mismatch. This is because it can cause significant voltage differences between the LED strings of the same type (e.g., 2 V to 3 V), which ultimately translates into higher power dissipation in the device. The voltage drop across the LED channels of the device is given by the difference between the supply voltage and the LED forward voltage of each LED string. Reducing this to a minimum (e.g., 0.8 V) helps to keep the power

dissipation down. Therefore LEDs binning is recommended to minimize LED voltage forward variation and reduce power dissipation in the device.

In order to ensure that the device will not go into thermal shutdown when operating under certain application conditions, its junction temperature ( $T_j$ ) should be calculated to ensure that is below the overtemperature threshold limit (125 °C). The  $T_j$  of the device depends on the ambient temperature ( $T_{amb}$ ), device's total power dissipation ( $P_{tot}$ ), and thermal resistance.

The device junction temperature can be calculated by using the following equation:

$$T_j = T_{amb} + R_{th(j-a)} \times P_{tot} \quad (6)$$

where:

- $T_j$  = junction temperature
- $T_{amb}$  = ambient temperature
- $R_{th(j-a)}$  = junction to ambient thermal resistance
- $P_{tot}$  = (device) total power dissipation

An example of this calculation is show below:

**Conditions:**

- $T_{amb} = 50 \text{ °C}$
- $R_{th(j-a)} = 31 \text{ °C/W}$  (per JEDEC 51 standard for multilayer PCB)
- $I_{LED} = 50 \text{ mA / channel}$
- $I_{DD(max)} = 12 \text{ mA}$
- $V_{DD} = 5 \text{ V}$
- LEDs per channel = 10 LEDs / channel
- LED  $V_{F(typ)} = 3 \text{ V}$  per LED (30 V total for 10 LEDs in series)
- LED  $V_F$  mismatch = 0.2 V per LED (2 V total for 10 LEDs in series)
- $V_{reg(drv)} = 0.8 \text{ V}$  (This will be present only in the LED string with the highest LED forward voltage.)
- $V_{sup} = LED V_{F(typ)} + LED V_F \text{ mismatch} + V_{reg(drv)} = 30 \text{ V} + 2 \text{ V} + 0.8 \text{ V} = 32.8 \text{ V}$

**$P_{tot}$  calculation:**

- $P_{tot} = IC\_power + LED \text{ drivers\_power};$
- $IC\_power = (I_{DD} \times V_{DD}) + [(SCL\_V_{OL} \times I_{OL}) + (SDA\_V_{OL} \times I_{OL})]$
- $IC\_power = (0.012 \text{ A} \times 5 \text{ V}) + [(0.4 \text{ V} \times 0.03 \text{ A}) + (0.4 \text{ V} \times 0.03 \text{ A})] = 0.084 \text{ W}$
- $LED \text{ drivers\_power} = [(16 - 1) \times (I_{LED}) \times (LED V_F \text{ mismatch} + V_{reg(drv)})] + (I_{LED} \times V_{reg(drv)})$
- $LED \text{ drivers\_power} = [15 \times 0.05 \text{ A} \times (2 \text{ V} + 0.8 \text{ V})] + (0.05 \text{ A} \times 0.8 \text{ V}) = 2.14 \text{ W}$
- $P_{tot} = 0.084 \text{ W} + 2.14 \text{ W} = 2.224 \text{ W}$

**$T_j$  calculation:**

- $T_j = T_{amb} + R_{th(j-a)} \times P_{tot}$
- $T_j = 50 \text{ °C} + (31 \text{ °C/W} \times 2.224 \text{ W}) = 118.94 \text{ °C}$

This confirms that the junction temperature is below the minimum overtemperature threshold of 125 °C, which ensures the device will not go into thermal shutdown under these conditions.

It is important to mention that the value of the thermal resistance junction-to-ambient ( $R_{th(j-a)}$ ) strongly depends in the PCB design. Therefore, the thermal pad of the device should be attached to a big enough PCB copper area to ensure proper thermal

dissipation (similar to JEDEC 51 standard). Several thermal vias in the PCB thermal pad should be used as well to increase the effectiveness of the heat dissipation (e.g., 15 thermal vias). The thermal vias should be distributed evenly in the PCB thermal pad.

Finally it is important to point out that this calculation should be taken as a reference only and therefore evaluations should still be performed under the application environment and conditions to confirm proper system operation.

## 11 Limiting values

**Table 22. Limiting values**

In accordance with the Absolute Maximum Rating System (IEC 60134).

Symbol	Parameter	Conditions	Min	Max	Unit
V <sub>DD</sub>	supply voltage		-0.5	+6.0	V
V <sub>I/O</sub>	voltage on an input/output pin		V <sub>SS</sub> - 0.5	5.5	V
V <sub>drv(LED)</sub>	LED driver voltage		V <sub>SS</sub> - 0.5	40	V
I <sub>O(LEDn)</sub>	output current on pin LEDn		-	65	mA
I <sub>SS</sub>	ground supply current		-	1.0	A
I <sub>lu</sub>	latch-up current	JESD	[1] -	90	mA
P <sub>tot</sub>	total power dissipation	T <sub>amb</sub> = 25 °C	-	3.2	W
		T <sub>amb</sub> = 85 °C	-	1.3	W
T <sub>stg</sub>	storage temperature		-65	+150	°C
T <sub>amb</sub>	ambient temperature	operating			
		PCA9952TW/Q900, PCA9955TW/Q900	-40	+85	°C
T <sub>j</sub>	junction temperature		-20	+125	°C

[1] Class II, Level B for A1 (pin 3), A2 (pin 4). All other pins are Class II, Level A (±100 mA).

## 12 Thermal characteristics

**Table 23. Thermal characteristics**

Symbol	Parameter	Conditions	Typ	Unit
R <sub>th(j-a)</sub>	thermal resistance from junction to ambient	HTSSOP28	[1] 31	°C/W

[1] Per JEDEC 51 standard for multilayer PCB.

## 13 Static characteristics

**Table 24. Static characteristics**

V<sub>DD</sub> = 3 V to 5.5 V; V<sub>SS</sub> = 0 V; T<sub>amb</sub> = -40 °C to +85 °C; unless otherwise specified.

Symbol	Parameter	Conditions	Min	Typ	Max	Unit
<b>Supply</b>						
V <sub>DD</sub>	supply voltage		3	-	5.5	V
I <sub>DD</sub>	supply current	on pin V <sub>DD</sub> ; operating mode; no load; f <sub>SCL</sub> = 1 MHz				



Table 24. Static characteristics...continued

V<sub>DD</sub> = 3 V to 5.5 V; V<sub>SS</sub> = 0 V; T<sub>amb</sub> = -40 °C to +85 °C; unless otherwise specified.

Symbol	Parameter	Conditions	Min	Typ	Max	Unit
I <sub>DD</sub>	supply current	V <sub>DD</sub> = 3.3 V	-	6.5	14	mA
		V <sub>DD</sub> = 5.5 V	-	7.0	15	mA
		R <sub>ext</sub> = open; LED[15:0] = off	-	0.7	14	mA
		R <sub>ext</sub> = 2 kΩ; LED[15:0] = off	-	2	14	mA
		R <sub>ext</sub> = 1 kΩ; LED[15:0] = off	-	3	15	mA
I <sub>stb</sub>	standby current	on pin V <sub>DD</sub> ; no load; f <sub>SCL</sub> = 0 Hz; MODE1[4] = 1; V <sub>I</sub> = V <sub>DD</sub>				
		V <sub>DD</sub> = 3.3 V	-	100	600	μA
		V <sub>DD</sub> = 5.5 V	-	100	700	μA
V <sub>POR</sub>	power-on reset voltage	no load; V <sub>I</sub> = V <sub>DD</sub> or V <sub>SS</sub>	-	2.65	2.8	V
V <sub>PDR</sub>	power-down reset voltage	no load; V <sub>I</sub> = V <sub>DD</sub> or V <sub>SS</sub>	[1] 0.8	1.25	-	V
<b>Input SCL; input/output SDA</b>						
V <sub>IL</sub>	LOW-level input voltage		-0.5	-	+0.3V <sub>DD</sub>	V
V <sub>IH</sub>	HIGH-level input voltage		0.7V <sub>DD</sub>	-	5.5	V
I <sub>OL</sub>	LOW-level output current	V <sub>OL</sub> = 0.4 V; V <sub>DD</sub> = 3 V	20	-	-	mA
		V <sub>OL</sub> = 0.4 V; V <sub>DD</sub> = 5.0 V	30	-	-	mA
I <sub>L</sub>	leakage current	V <sub>I</sub> = V <sub>DD</sub> or V <sub>SS</sub>	-1	-	+1	μA
C <sub>i</sub>	input capacitance	V <sub>I</sub> = V <sub>SS</sub>	-	6	10	pF
<b>Current controlled outputs (LED[15:0])</b>						
I <sub>O</sub>	output current	V <sub>O</sub> = 0.8 V; IREFx = FFh				
		R <sub>ext</sub> = 1 kΩ	52	57.5	62	mA
		R <sub>ext</sub> = 2 kΩ	25.5	28.5	31.5	mA
ΔI <sub>O</sub>	output current variation	V <sub>O</sub> = 0.8 V; IREFx = FFh				
		between bits (different ICs, same channel); R <sub>ext</sub> = 1 kΩ	-	±2.5	±8	%
		between bits (2 channels, same IC); R <sub>ext</sub> = 2 kΩ	-	±1.7	±5.8	%
V <sub>reg(drv)</sub>	driver regulation voltage	minimum regulation voltage; IREFx = FFh; R <sub>ext</sub> = 1 kΩ	0.8	1.0	40	V
I <sub>L(off)</sub>	off-state leakage current	V <sub>O</sub> = 40 V	-1.0	-	+1	μA
V <sub>th(L)</sub>	LOW-level threshold voltage	open LED protection; Error flag will trip during verification test if V <sub>O</sub> ≤ V <sub>th(L)</sub>	-	0.35	-	V
V <sub>th(H)</sub>	HIGH-level threshold voltage	short LED protection; Error flag will trip during verification test if V <sub>O</sub> ≥ V <sub>th(H)</sub>	-	2.5	-	V
<b>Address inputs, OE input (PCA9952 only), RESET input</b>						

Table 24. Static characteristics...continued

V<sub>DD</sub> = 3 V to 5.5 V; V<sub>SS</sub> = 0 V; T<sub>amb</sub> = -40 °C to +85 °C; unless otherwise specified.

Symbol	Parameter	Conditions	Min	Typ	Max	Unit
V <sub>IL</sub>	LOW-level input voltage		-0.5	-	+0.3V <sub>DD</sub>	V
V <sub>IH</sub>	HIGH-level input voltage		0.7V <sub>DD</sub>	-	5.5	V
I <sub>LI</sub>	input leakage current		-1	-	+1	µA
C <sub>i</sub>	input capacitance		-	3.7	5	pF
<b>Overtemperature protection</b>						
T <sub>th(otp)</sub>	overtemperature protection threshold temperature	rising	125	145	160	°C
		hysteresis	-	20	-	°C

[1] V<sub>DD</sub> must be lowered to 0.8 V in order to reset part.

## 14 Dynamic characteristics

Table 25. Dynamic characteristics

Symbol	Parameter	Conditions	Standard-mode I <sup>2</sup> C-bus		Fast-mode I <sup>2</sup> C-bus		Fast-mode Plus I <sup>2</sup> C-bus		Unit
			Min	Max	Min	Max	Min	Max	
f <sub>SCL</sub>	SCL clock frequency		0	100	0	400	0	1000	kHz
t <sub>BUF</sub>	bus free time between a STOP and START condition		4.7	-	1.3	-	0.5	-	µs
t <sub>HD;STA</sub>	hold time (repeated) START condition		4.0	-	0.6	-	0.26	-	µs
t <sub>SU;STA</sub>	set-up time for a repeated START condition		4.7	-	0.6	-	0.26	-	µs
t <sub>SU;STO</sub>	set-up time for STOP condition		4.0	-	0.6	-	0.26	-	µs
t <sub>HD;DAT</sub>	data hold time		0	-	0	-	0	-	ns
t <sub>VD;ACK</sub>	data valid acknowledge time	[1]	0.3	3.45	0.1	0.9	0.05	0.45	µs
t <sub>VD;DAT</sub>	data valid time	[2]	0.3	3.45	0.1	0.9	0.05	0.45	µs
t <sub>SU;DAT</sub>	data set-up time		250	-	100	-	50	-	ns
t <sub>LOW</sub>	LOW period of the SCL clock		4.7	-	1.3	-	0.5	-	µs
t <sub>HIGH</sub>	HIGH period of the SCL clock		4.0	-	0.6	-	0.26	-	µs
t <sub>f</sub>	fall time of both SDA and SCL signals	[3][4]	-	300	20 + 0.1C <sub>b</sub> <sup>[5]</sup>	300	-	120	ns
t <sub>r</sub>	rise time of both SDA and SCL signals		-	1000	20 + 0.1C <sub>b</sub> <sup>[5]</sup>	300	-	120	ns
t <sub>SP</sub>	pulse width of spikes that must be suppressed by the input filter	[6]	-	50	-	50	-	50	ns
t <sub>w(rst)</sub>	reset pulse width		2.5	-	2.5	-	2.5	-	µs
t <sub>PLH</sub>	LOW to HIGH propagation delay	OE to LEDn disable	[7]	-	1.2	-	1.2	-	1.2 µs

Table 25. Dynamic characteristics...continued

Symbol	Parameter	Conditions	Standard-mode I <sup>2</sup> C-bus		Fast-mode I <sup>2</sup> C-bus		Fast-mode Plus I <sup>2</sup> C-bus		Unit
			Min	Max	Min	Max	Min	Max	
t <sub>PHL</sub>	HIGH to LOW propagation delay	OE to LEDn enable [7]	-	1.2	-	1.2	-	1.2	µs

- [1] t<sub>VD;ACK</sub> = time for Acknowledgement signal from SCL LOW to SDA (out) LOW.
- [2] t<sub>VD;DAT</sub> = minimum time for SDA data out to be valid following SCL LOW.
- [3] A master device must internally provide a hold time of at least 300 ns for the SDA signal (refer to the V<sub>IL</sub> of the SCL signal) in order to bridge the undefined region of SCL's falling edge.
- [4] The maximum t<sub>r</sub> for the SDA and SCL bus lines is specified at 300 ns. The maximum fall time (t<sub>f</sub>) for the SDA output stage is specified at 250 ns. This allows series protection resistors to be connected between the SDA and the SCL pins and the SDA/SCL bus lines without exceeding the maximum specified t<sub>r</sub>.
- [5] C<sub>b</sub> = total capacitance of one bus line in pF.
- [6] Input filters on the SDA and SCL inputs suppress noise spikes less than 50 ns.
- [7] Load resistor (R<sub>L</sub>) for LEDn is 100 Ω pull-up to V<sub>DD</sub>.

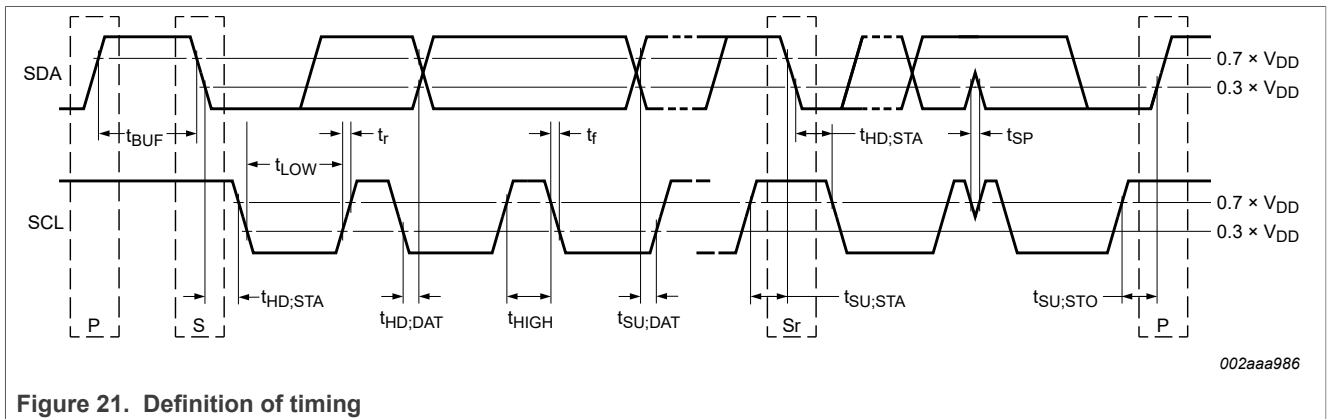
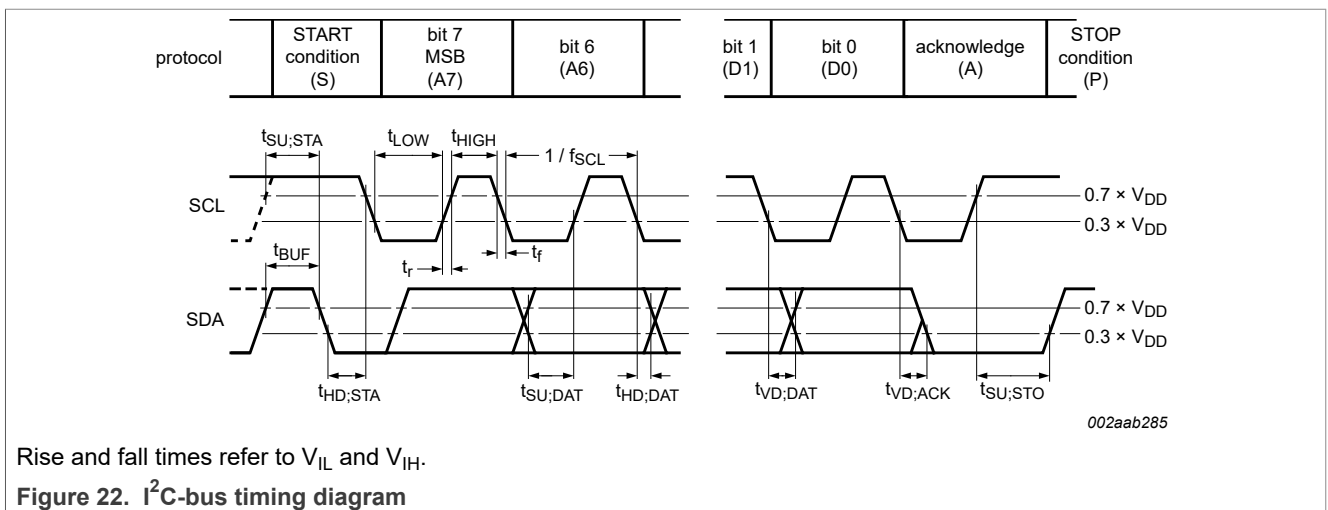


Figure 21. Definition of timing



Rise and fall times refer to V<sub>IL</sub> and V<sub>IH</sub>.

Figure 22. I<sup>2</sup>C-bus timing diagram

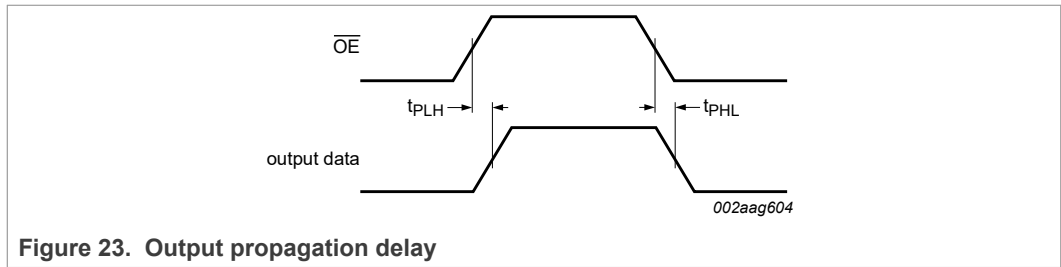
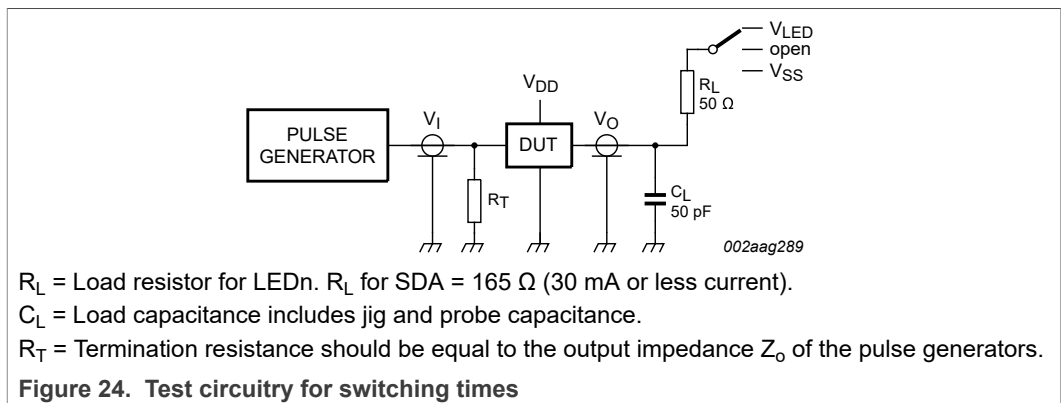


Figure 23. Output propagation delay

## 15 Test information



16 Package outline

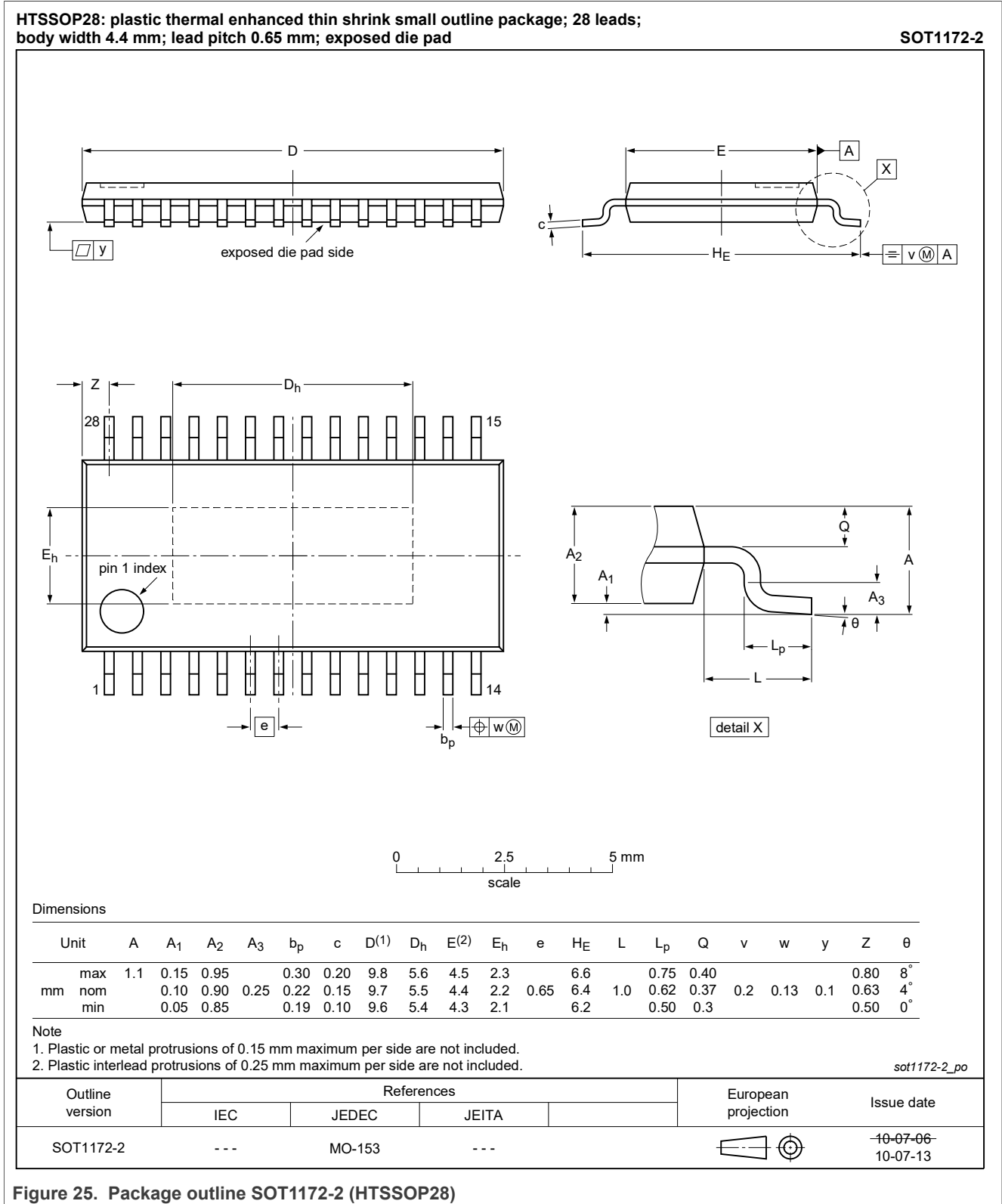


Figure 25. Package outline SOT1172-2 (HTSSOP28)

## 17 Handling information

All input and output pins are protected against ElectroStatic Discharge (ESD) under normal handling. When handling ensure that the appropriate precautions are taken as described in *JESD625-A* or equivalent standards.

## 18 Soldering of SMD packages

This text provides a very brief insight into a complex technology. A more in-depth account of soldering ICs can be found in Application Note *AN10365 "Surface mount reflow soldering description"*.

### 18.1 Introduction to soldering

Soldering is one of the most common methods through which packages are attached to Printed Circuit Boards (PCBs), to form electrical circuits. The soldered joint provides both the mechanical and the electrical connection. There is no single soldering method that is ideal for all IC packages. Wave soldering is often preferred when through-hole and Surface Mount Devices (SMDs) are mixed on one printed wiring board; however, it is not suitable for fine pitch SMDs. Reflow soldering is ideal for the small pitches and high densities that come with increased miniaturization.

### 18.2 Wave and reflow soldering

Wave soldering is a joining technology in which the joints are made by solder coming from a standing wave of liquid solder. The wave soldering process is suitable for the following:

- Through-hole components
- Leaded or leadless SMDs, which are glued to the surface of the printed circuit board

Not all SMDs can be wave soldered. Packages with solder balls, and some leadless packages which have solder lands underneath the body, cannot be wave soldered. Also, leaded SMDs with leads having a pitch smaller than ~0.6 mm cannot be wave soldered, due to an increased probability of bridging.

The reflow soldering process involves applying solder paste to a board, followed by component placement and exposure to a temperature profile. Leaded packages, packages with solder balls, and leadless packages are all reflow solderable.

Key characteristics in both wave and reflow soldering are:

- Board specifications, including the board finish, solder masks and vias
- Package footprints, including solder thieves and orientation
- The moisture sensitivity level of the packages
- Package placement
- Inspection and repair
- Lead-free soldering versus SnPb soldering

### 18.3 Wave soldering

Key characteristics in wave soldering are:

- Process issues, such as application of adhesive and flux, clinching of leads, board transport, the solder wave parameters, and the time during which components are exposed to the wave
- Solder bath specifications, including temperature and impurities

**18.4 Reflow soldering**

Key characteristics in reflow soldering are:

- Lead-free versus SnPb soldering; note that a lead-free reflow process usually leads to higher minimum peak temperatures (see [Figure 26](#)) than a SnPb process, thus reducing the process window
- Solder paste printing issues including smearing, release, and adjusting the process window for a mix of large and small components on one board
- Reflow temperature profile; this profile includes preheat, reflow (in which the board is heated to the peak temperature) and cooling down. It is imperative that the peak temperature is high enough for the solder to make reliable solder joints (a solder paste characteristic). In addition, the peak temperature must be low enough that the packages and/or boards are not damaged. The peak temperature of the package depends on package thickness and volume and is classified in accordance with [Table 26](#) and [Table 27](#)

**Table 26. SnPb eutectic process (from J-STD-020D)**

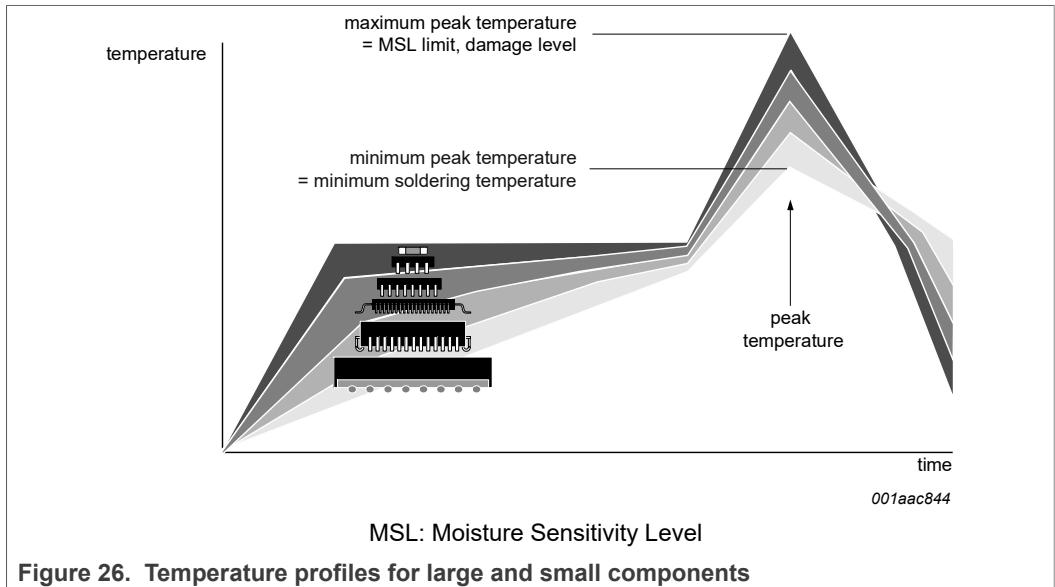
Package thickness (mm)	Package reflow temperature (°C)	
	Volume (mm <sup>3</sup> )	
	< 350	≥ 350
< 2.5	235	220
≥ 2.5	220	220

**Table 27. Lead-free process (from J-STD-020D)**

Package thickness (mm)	Package reflow temperature (°C)		
	Volume (mm <sup>3</sup> )		
	< 350	350 to 2000	> 2000
< 1.6	260	260	260
1.6 to 2.5	260	250	245
> 2.5	250	245	245

Moisture sensitivity precautions, as indicated on the packing, must be respected at all times.

Studies have shown that small packages reach higher temperatures during reflow soldering, see [Figure 26](#).



For further information on temperature profiles, refer to Application Note AN10365 “Surface mount reflow soldering description”.



19 Soldering: PCB footprints

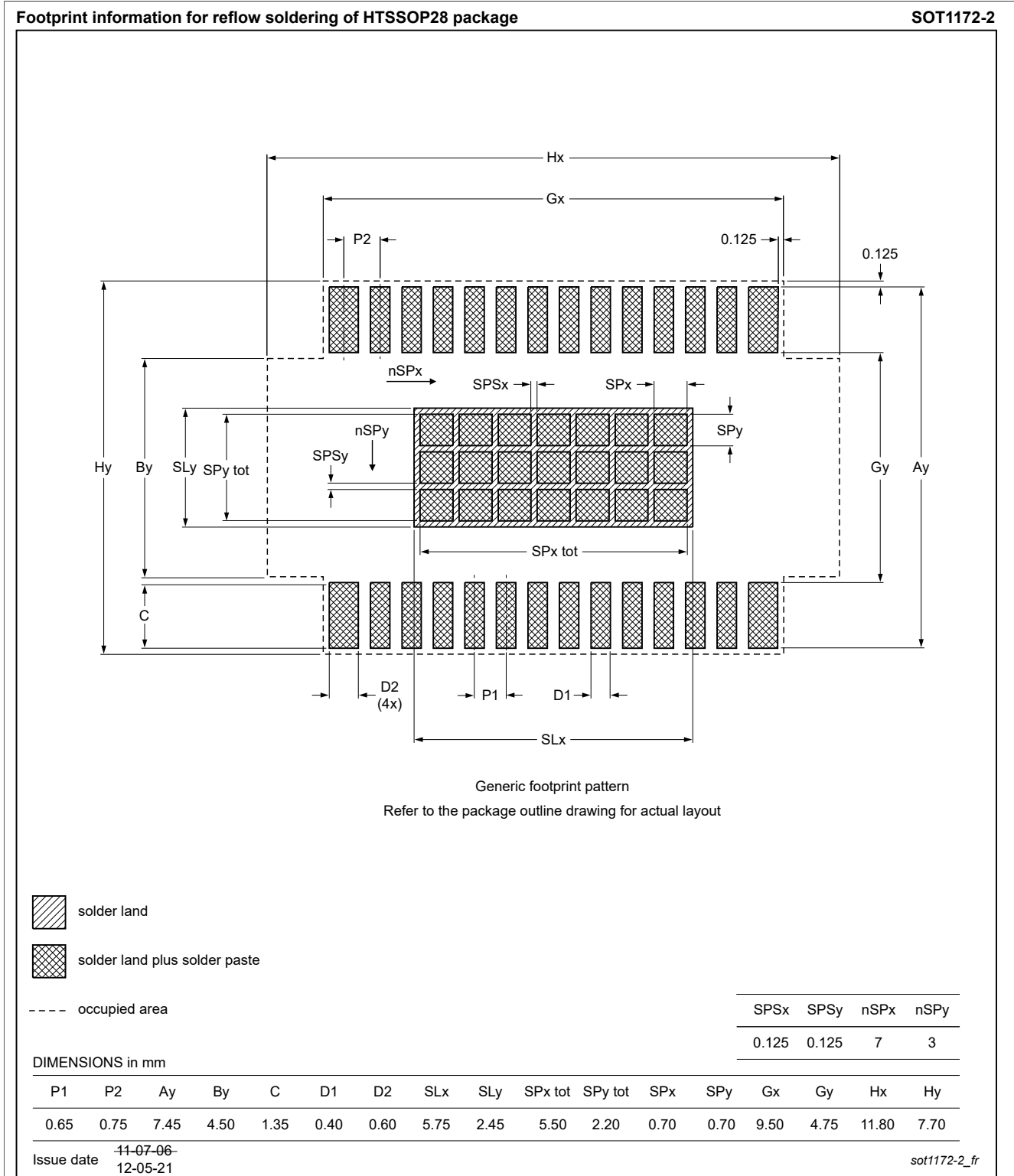


Figure 27. PCB footprint for SOT1172-2 (HTSSOP28); reflow soldering

## 20 Abbreviations

Table 28. Abbreviations

Acronym	Description
ACK	Acknowledge
CDM	Charged-Device Model
DAC	Digital-to-Analog Converter
DUT	Device Under Test
EMI	ElectroMagnetic Interference
ESD	ElectroStatic Discharge
HBM	Human Body Model
I <sup>2</sup> C-bus	Inter-Integrated Circuit bus
LED	Light Emitting Diode
LSB	Least Significant Bit
MSB	Most Significant Bit
PCB	Printed-Circuit Board
PWM	Pulse Width Modulation
RGB	Red/Green/Blue
RGBA	Red/Green/Blue/Amber
SMBus	System Management Bus

## 21 References

## 22 Revision history

Table 29. Revision history

Document ID	Release date	Data sheet status	Change notice	Supersedes
PCA9952_PCA9955 v.7.2	20211026	Product data sheet	-	PCA9952_PCA9955 v.7.1
Modifications:	<ul style="list-style-type: none"> <li>Removed commercial devices PCA9952TW and PCA9955TW. Discontinued DN74 Dec 2013</li> </ul>			
PCA9952_PCA9955 v.7.1	20150629	Product data sheet	-	PCA9952_PCA9955 v.7
PCA9952_PCA9955 v.7	20130527	Product data sheet	-	PCA9952_PCA9955 v.6 PCA9952Q900_PCA9955Q900 v.1
PCA9952Q900_PCA9955Q900 v.1	20130426	Product data sheet	-	-
PCA9952_PCA9955 v.6	20130422	Product data sheet	-	PCA9952_PCA9955 v.5
PCA9952_PCA9955 v.5	20121001	Product data sheet	-	PCA9952_PCA9955 v.4
PCA9952_PCA9955 v.4	20120813	Product data sheet	-	PCA9952_PCA9955 v.3
PCA9952_PCA9955 v.3	20120418	Product data sheet	-	PCA9952_PCA9955 v.2
PCA9952_PCA9955 v.2	20120312	Product data sheet	-	PCA9952_PCA9955 v.1

Table 29. Revision history...continued

Document ID	Release date	Data sheet status	Change notice	Supersedes
PCA9952_PCA9955 v.1	20111202	Product data sheet	-	-

## 23 Legal information

### 23.1 Data sheet status

Document status <sup>[1][2]</sup>	Product status <sup>[3]</sup>	Definition
Objective [short] data sheet	Development	This document contains data from the objective specification for product development.
Preliminary [short] data sheet	Qualification	This document contains data from the preliminary specification.
Product [short] data sheet	Production	This document contains the product specification.

[1] Please consult the most recently issued document before initiating or completing a design.

[2] The term 'short data sheet' is explained in section "Definitions".

[3] The product status of device(s) described in this document may have changed since this document was published and may differ in case of multiple devices. The latest product status information is available on the Internet at URL <http://www.nxp.com>.

### 23.2 Definitions

**Draft** — A draft status on a document indicates that the content is still under internal review and subject to formal approval, which may result in modifications or additions. NXP Semiconductors does not give any representations or warranties as to the accuracy or completeness of information included in a draft version of a document and shall have no liability for the consequences of use of such information.

**Short data sheet** — A short data sheet is an extract from a full data sheet with the same product type number(s) and title. A short data sheet is intended for quick reference only and should not be relied upon to contain detailed and full information. For detailed and full information see the relevant full data sheet, which is available on request via the local NXP Semiconductors sales office. In case of any inconsistency or conflict with the short data sheet, the full data sheet shall prevail.

**Product specification** — The information and data provided in a Product data sheet shall define the specification of the product as agreed between NXP Semiconductors and its customer, unless NXP Semiconductors and customer have explicitly agreed otherwise in writing. In no event however, shall an agreement be valid in which the NXP Semiconductors product is deemed to offer functions and qualities beyond those described in the Product data sheet.

### 23.3 Disclaimers

**Limited warranty and liability** — Information in this document is believed to be accurate and reliable. However, NXP Semiconductors does not give any representations or warranties, expressed or implied, as to the accuracy or completeness of such information and shall have no liability for the consequences of use of such information. NXP Semiconductors takes no responsibility for the content in this document if provided by an information source outside of NXP Semiconductors.

In no event shall NXP Semiconductors be liable for any indirect, incidental, punitive, special or consequential damages (including - without limitation - lost profits, lost savings, business interruption, costs related to the removal or replacement of any products or rework charges) whether or not such damages are based on tort (including negligence), warranty, breach of contract or any other legal theory.

Notwithstanding any damages that customer might incur for any reason whatsoever, NXP Semiconductors' aggregate and cumulative liability towards customer for the products described herein shall be limited in accordance with the Terms and conditions of commercial sale of NXP Semiconductors.

**Right to make changes** — NXP Semiconductors reserves the right to make changes to information published in this document, including without limitation specifications and product descriptions, at any time and without notice. This document supersedes and replaces all information supplied prior to the publication hereof.

**Applications** — Applications that are described herein for any of these products are for illustrative purposes only. NXP Semiconductors makes no representation or warranty that such applications will be suitable for the specified use without further testing or modification.

Customers are responsible for the design and operation of their applications and products using NXP Semiconductors products, and NXP Semiconductors accepts no liability for any assistance with applications or customer product design. It is customer's sole responsibility to determine whether the NXP Semiconductors product is suitable and fit for the customer's applications and products planned, as well as for the planned application and use of customer's third party customer(s). Customers should provide appropriate design and operating safeguards to minimize the risks associated with their applications and products.

NXP Semiconductors does not accept any liability related to any default, damage, costs or problem which is based on any weakness or default in the customer's applications or products, or the application or use by customer's third party customer(s). Customer is responsible for doing all necessary testing for the customer's applications and products using NXP Semiconductors products in order to avoid a default of the applications and the products or of the application or use by customer's third party customer(s). NXP does not accept any liability in this respect.

**Limiting values** — Stress above one or more limiting values (as defined in the Absolute Maximum Ratings System of IEC 60134) will cause permanent damage to the device. Limiting values are stress ratings only and (proper) operation of the device at these or any other conditions above those given in the Recommended operating conditions section (if present) or the Characteristics sections of this document is not warranted. Constant or repeated exposure to limiting values will permanently and irreversibly affect the quality and reliability of the device.

**Terms and conditions of commercial sale** — NXP Semiconductors products are sold subject to the general terms and conditions of commercial sale, as published at <http://www.nxp.com/profile/terms>, unless otherwise agreed in a valid written individual agreement. In case an individual agreement is concluded only the terms and conditions of the respective agreement shall apply. NXP Semiconductors hereby expressly objects to applying the customer's general terms and conditions with regard to the purchase of NXP Semiconductors products by customer.

**No offer to sell or license** — Nothing in this document may be interpreted or construed as an offer to sell products that is open for acceptance or the grant, conveyance or implication of any license under any copyrights, patents or other industrial or intellectual property rights.

**Suitability for use in automotive applications** — This NXP product has been qualified for use in automotive applications. If this product is used by customer in the development of, or for incorporation into, products or services (a) used in safety critical applications or (b) in which failure could lead to death, personal injury, or severe physical or environmental damage (such products and services hereinafter referred to as “Critical Applications”), then customer makes the ultimate design decisions regarding its products and is solely responsible for compliance with all legal, regulatory, safety, and security related requirements concerning its products, regardless of any information or support that may be provided by NXP. As such, customer assumes all risk related to use of any products in Critical Applications and NXP and its suppliers shall not be liable for any such use by customer. Accordingly, customer will indemnify and hold NXP harmless from any claims, liabilities, damages and associated costs and expenses (including attorneys’ fees) that NXP may incur related to customer’s incorporation of any product in a Critical Application.

**Export control** — This document as well as the item(s) described herein may be subject to export control regulations. Export might require a prior authorization from competent authorities.

**Translations** — A non-English (translated) version of a document is for reference only. The English version shall prevail in case of any discrepancy between the translated and English versions.

## 23.4 Trademarks

Notice: All referenced brands, product names, service names, and trademarks are the property of their respective owners.

**NXP** — wordmark and logo are trademarks of NXP B.V.

**I<sup>2</sup>C-bus** — logo is a trademark of NXP B.V.

Tables

Tab. 1.	Ordering information	3	Tab. 15.	SUBADR1 to SUBADR3 - I2C-bus subaddress registers 1 to 3 (address 3Bh to 3Dh) bit description	17
Tab. 2.	Ordering options	3	Tab. 16.	ALLCALLADR - LED All Call I2C-bus address register (address 3Eh) bit description	17
Tab. 3.	PCA9952 pin description	5	Tab. 17.	PWMALL - brightness control for all LEDn outputs register (address 42h) bit description	18
Tab. 4.	PCA9955 pin description	6	Tab. 18.	IREFALL - Output gain control for all LEDn outputs (address 43h) bit description	18
Tab. 5.	Auto-Increment options	9	Tab. 19.	EFLAG0, EFLAG1 - Error flag registers (address 44h, 45h) bit description	20
Tab. 6.	Register summary	10	Tab. 20.	Open-circuit detection	21
Tab. 7.	MODE1 - Mode register 1 (address 00h) bit description	12	Tab. 21.	Shorted-load detection	21
Tab. 8.	MODE2 - Mode register 2 (address 01h) bit description	12	Tab. 22.	Limiting values	32
Tab. 9.	LEDOUT0 to LEDOUT3 - LED driver output state registers (address 02h to 05h) bit description	13	Tab. 23.	Thermal characteristics	32
Tab. 10.	GRPPWM - Group brightness control register (address 08h) bit description	14	Tab. 24.	Static characteristics	32
Tab. 11.	GRPFREQ - Group frequency register (address 09h) bit description	14	Tab. 25.	Dynamic characteristics	34
Tab. 12.	PWM0 to PWM15 - PWM registers 0 to 15 (address 0Ah to 19h) bit description	14	Tab. 26.	SnPb eutectic process (from J-STD-020D)	39
Tab. 13.	IREF0 to IREF15 - LEDn output gain control registers (address 22h to 31h) bit description	15	Tab. 27.	Lead-free process (from J-STD-020D)	39
Tab. 14.	OFFSET - LEDn output delay offset register (address 3Ah) bit description	16	Tab. 28.	Abbreviations	42
			Tab. 29.	Revision history	42

Figures

Fig. 1.	Block diagram of PCA9952/55	4	Fig. 16.	Multiple writes to Individual Brightness registers only using the Auto-Increment feature	27
Fig. 2.	Pin configuration for HTSSOP28	5	Fig. 17.	Read all registers using the Auto-Increment feature	28
Fig. 3.	PCA9955 slave address	8	Fig. 18.	Read of registers	28
Fig. 4.	PCA9952 slave address	8	Fig. 19.	LED All Call I2C-bus address programming and LED All Call sequence example	29
Fig. 5.	Control register	9	Fig. 20.	Typical application (PCA9955)	30
Fig. 6.	Maximum ILED versus Rext	19	Fig. 21.	Definition of timing	35
Fig. 7.	IO(target) versus IREFx value	20	Fig. 22.	I2C-bus timing diagram	35
Fig. 8.	SWRST Call	23	Fig. 23.	Output propagation delay	36
Fig. 9.	Brightness + Group Dimming signals	24	Fig. 24.	Test circuitry for switching times	36
Fig. 10.	Bit transfer	24	Fig. 25.	Package outline SOT1172-2 (HTSSOP28)	37
Fig. 11.	Definition of START and STOP conditions	25	Fig. 26.	Temperature profiles for large and small components	40
Fig. 12.	System configuration	25	Fig. 27.	PCB footprint for SOT1172-2 (HTSSOP28); reflow soldering	41
Fig. 13.	Acknowledgement on the I2C-bus	26			
Fig. 14.	Write to a specific register	26			
Fig. 15.	Write to all registers using the Auto-Increment feature	26			

Contents

<b>1</b>	<b>General description</b> .....	<b>1</b>	<b>8.2</b>	System configuration .....	<b>25</b>
<b>2</b>	<b>Features and benefits</b> .....	<b>2</b>	<b>8.3</b>	Acknowledge .....	<b>25</b>
<b>3</b>	<b>Applications</b> .....	<b>3</b>	<b>9</b>	<b>Bus transactions</b> .....	<b>26</b>
<b>4</b>	<b>Ordering information</b> .....	<b>3</b>	<b>10</b>	<b>Application design-in information</b> .....	<b>30</b>
4.1	Ordering options .....	3	10.1	Thermal considerations .....	30
<b>5</b>	<b>Block diagram</b> .....	<b>4</b>	<b>11</b>	<b>Limiting values</b> .....	<b>32</b>
<b>6</b>	<b>Pinning information</b> .....	<b>5</b>	<b>12</b>	<b>Thermal characteristics</b> .....	<b>32</b>
6.1	Pinning .....	5	<b>13</b>	<b>Static characteristics</b> .....	<b>32</b>
6.2	Pin description .....	5	<b>14</b>	<b>Dynamic characteristics</b> .....	<b>34</b>
<b>7</b>	<b>Functional description</b> .....	<b>7</b>	<b>15</b>	<b>Test information</b> .....	<b>36</b>
7.1	Device addresses .....	7	<b>16</b>	<b>Package outline</b> .....	<b>37</b>
7.1.1	Regular I2C-bus slave address .....	7	<b>17</b>	<b>Handling information</b> .....	<b>38</b>
7.1.2	LED All Call I2C-bus address .....	8	<b>18</b>	<b>Soldering of SMD packages</b> .....	<b>38</b>
7.1.3	LED bit Sub Call I2C-bus addresses .....	8	18.1	Introduction to soldering .....	38
7.2	Control register .....	8	18.2	Wave and reflow soldering .....	38
7.3	Register definitions .....	10	18.3	Wave soldering .....	38
7.3.1	MODE1 — Mode register 1 .....	12	18.4	Reflow soldering .....	39
7.3.2	MODE2 — Mode register 2 .....	12	<b>19</b>	<b>Soldering: PCB footprints</b> .....	<b>41</b>
7.3.3	LEDOUT0 to LEDOUT3, LED driver output state .....	13	<b>20</b>	<b>Abbreviations</b> .....	<b>42</b>
7.3.4	GRPPWM, group duty cycle control .....	14	<b>21</b>	<b>References</b> .....	<b>42</b>
7.3.5	GRPFREQ, group frequency .....	14	<b>22</b>	<b>Revision history</b> .....	<b>42</b>
7.3.6	PWM0 to PWM15, individual brightness control .....	14	<b>23</b>	<b>Legal information</b> .....	<b>44</b>
7.3.7	IREF0 to IREF15, LEDn output current value registers .....	15			
7.3.8	OFFSET — LEDn output delay offset register .....	16			
7.3.9	LED bit Sub Call I2C-bus addresses for PCA9952/55 .....	17			
7.3.10	ALLCALLADR, LED All Call I2C-bus address .....	17			
7.3.11	RESERVED1 .....	18			
7.3.12	RESERVED2, RESERVED3 .....	18			
7.3.13	PWMALL — brightness control for all LEDn outputs .....	18			
7.3.14	IREFALL register: output current value for all LEDn outputs .....	18			
7.3.15	LED driver constant current outputs .....	18			
7.3.15.1	Adjusting output peak current .....	18			
7.3.16	LED error detection .....	20			
7.3.16.1	Open-circuit detection principle .....	21			
7.3.16.2	Short-circuit detection principle .....	21			
7.3.17	Overtemperature protection .....	21			
7.4	Active LOW output enable input .....	22			
7.5	Power-on reset .....	22			
7.6	Hardware reset recovery .....	22			
7.7	Software reset .....	22			
7.8	Individual brightness control with group dimming/blinking .....	23			
<b>8</b>	<b>Characteristics of the I2C-bus</b> .....	<b>24</b>			
8.1	Bit transfer .....	24			
8.1.1	START and STOP conditions .....	24			