

# KMA199

## Programmable angle sensor

Rev. 2 — 7 December 2011

Product data sheet

## 1. Product profile

---

### 1.1 General description

The KMA199 is a magnetic angle sensor system. The MagnetoResistive (MR) sensor bridges and the mixed signal Integrated Circuit (IC) are integrated into a single package.

This angular measurement system KMA199 is pre-programmed, pre-calibrated and therefore, ready to use.

The KMA199 allows user specific adjustments of angular range, zero angle and clamping voltages. The settings are stored permanently in an Electrically Erasable Programmable Read-Only Memory (EEPROM).

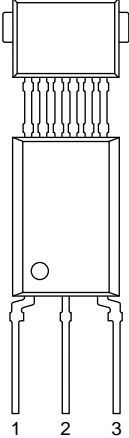
### 1.2 Features and benefits

- High precision sensor for magnetic angular measurement
- Automotive qualified in accordance with AEC-Q100
- Programmable user adjustments, including zero angle and angular range
- Fail-safe EEPROM
- Independent from the magnetic field strength above 35 kA/m
- User-programmable 32-bit identifier
- Ready to use
- Ratiometric analog output voltage
- Single package sensor system
- High temperature range up to 160 °C
- Built-in transient protection
- Programming via One-Wire Interface (OWI)
- Magnet-loss and power-loss detection
- Factory calibrated



## 2. Pinning information

Table 1. Pinning

Pin	Symbol	Description	Simplified outline
1	V <sub>DD</sub>	supply voltage	
2	GND	ground	
3	OUT/DATA	analog output or data interface	

## 3. Ordering information

Table 2. Ordering information

Type number	Package		Version
	Name	Description	
KMA199	-	plastic single-ended multi-chip package; 6 interconnections; 3 in-line leads	SOT880

4. Functional diagram

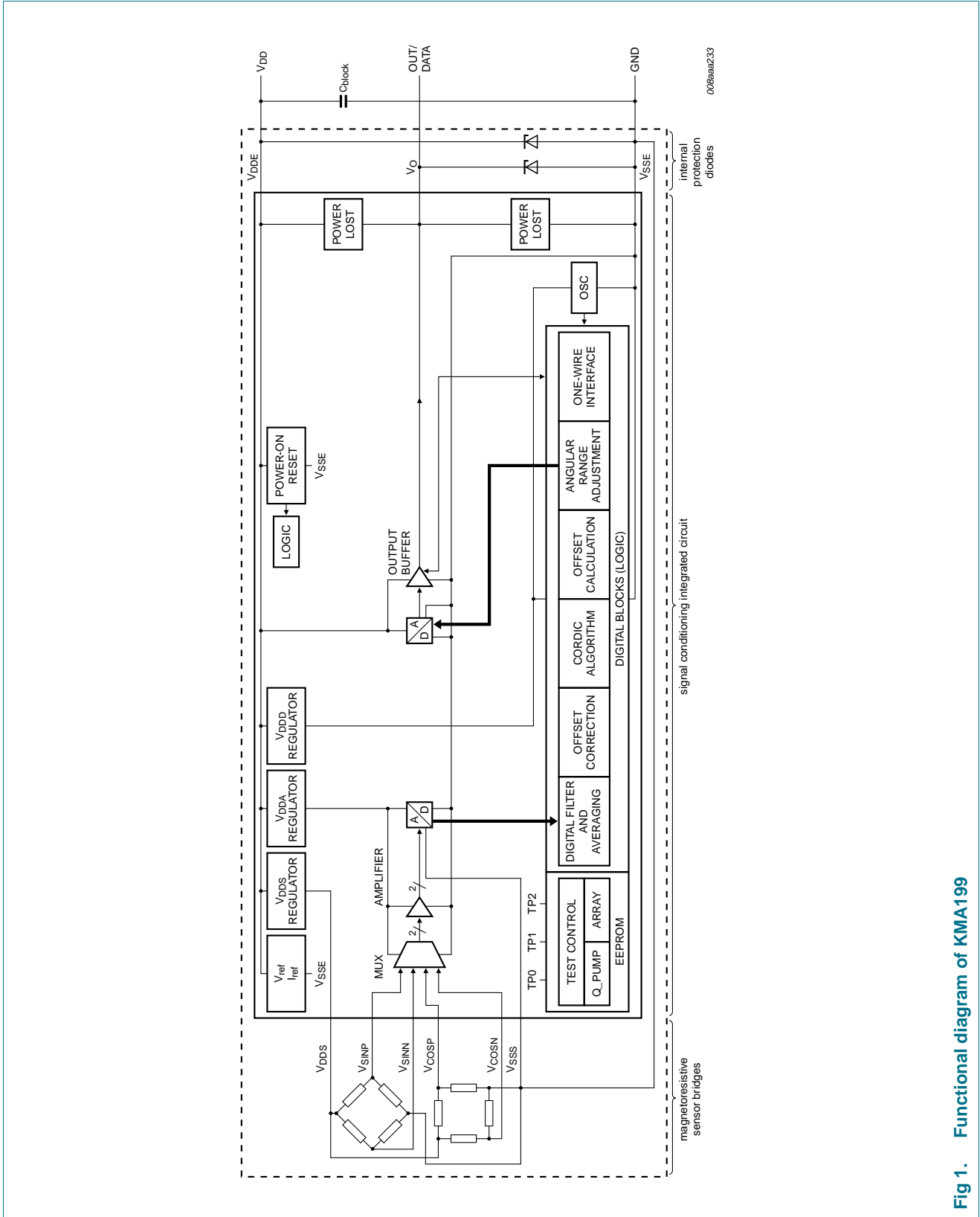


Fig 1. Functional diagram of KMA199

## 5. Functional description

The KMA199 amplifies two orthogonal differential signals which are delivered by MR sensor bridges and converts them into the digital domain. The angle is calculated using the COordinate Rotation DIgital Computer (CORDIC) algorithm. After a digital-to-analog conversion the analog signal is provided to the output. Thus, the output is a linear representation of the angular value. Zero angle, clamping voltages and angular range are programmable. In addition, two 16-bit registers are available for customer purposes, like sample identification.

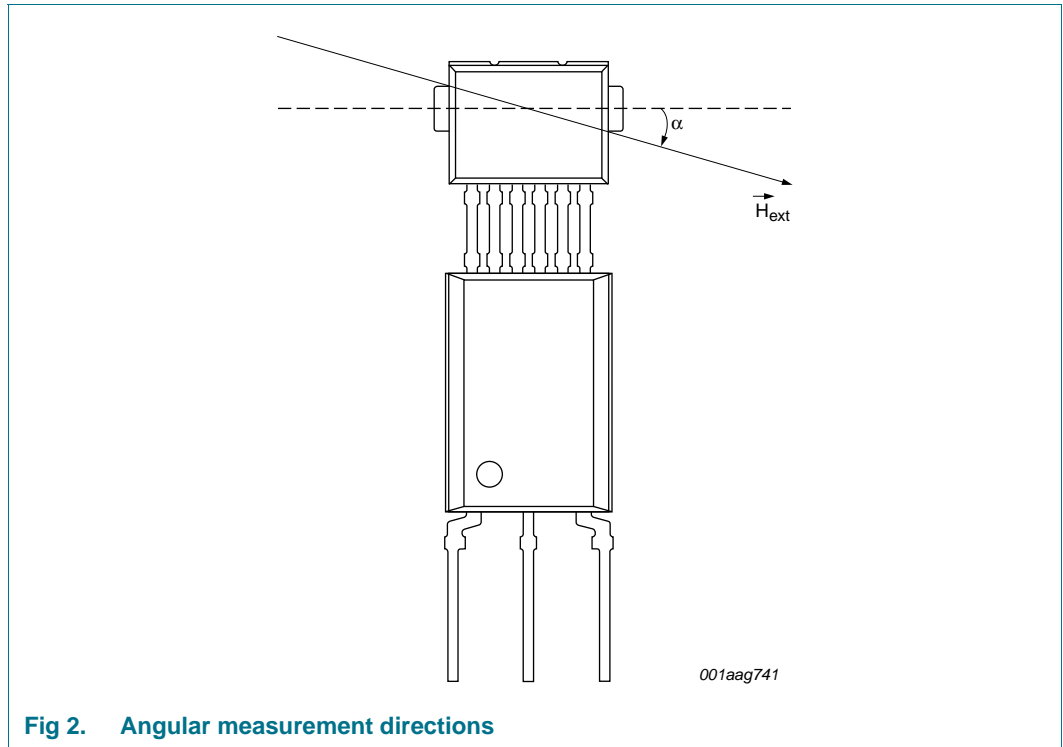
The KMA199 comprises a Cyclic Redundancy Check (CRC) and an Error Detection and Correction (EDC) supervision, as well as a magnet-loss detection to ensure a fail-safe operation. A power-loss detection circuit pulls the analog output to the remaining supply line, if either the supply voltage or the ground line is interrupted.

After multiplexing the two MR Wheatstone bridge signals and their successive amplification, the signal is converted into the digital domain by an Analog-to-Digital Converter (ADC). Further processing is done within an on-chip state machine. This includes offset cancellation, calculation of the mechanical angle using the CORDIC algorithm, as well as zero angle and angular range adjustment. The internal Digital-to-Analog Converter (DAC) and the analog output stage are used for conversion of the angle information into an analog output voltage, which is ratiometric to the supply voltage.

The configuration parameters are stored in an user-programmable EEPROM. The OWI (accessible using pin OUT/DATA) is used for accessing the memory.

### 5.1 Angular measurement directions

The differential signals of the MR sensor bridges depend only on the direction of the external magnetic field strength  $H_{\text{ext}}$ , which is applied parallel to the plane of the sensor. In order to obtain a correct output signal, the minimum saturation field strength has to be exceeded.



**Fig 2. Angular measurement directions**

Since the Anisotropic MR (AMR) effect is periodic over 180°, the sensor output is also 180°-periodic, where the angle is calculated relative to a freely programmable zero angle. The dashed line indicates the mechanical zero degree position.

## 6. Analog output

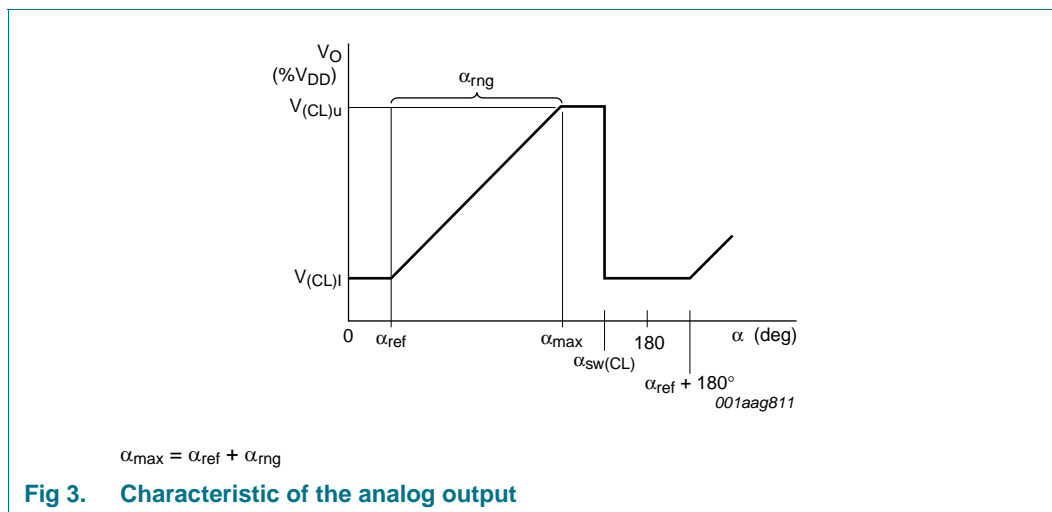
The KMA199 provides one analog output signal on pin OUT/DATA. The measured angle  $\alpha$  is converted linearly into a value, which is ratiometric to the supply voltage  $V_{DD}$ . Either a positive or a negative slope is provided for this purpose.

The following table describes the analog output behavior for a positive slope. If for example, a magnetic field angle, above the programmed maximum angle  $\alpha_{max}$ , but below the clamp switch angle  $\alpha_{sw(CL)}$  is applied to the sensor, then analog output is set to the upper clamping voltage. If the magnetic field angle is larger than the clamp switch angle, the analog output switches from upper to lower clamping voltage. In the case of a negative slope, the clamping voltages are changed.

**Table 3. Analog output behavior for a positive slope**

Magnetic field angle	Analog output
$\alpha_{max} < \alpha < \alpha_{sw(CL)}$	$V_{(CL)u}$
$\alpha_{sw(CL)} < \alpha < \alpha_{ref} + 180^\circ$	$V_{(CL)l}$

The analog output voltage range codes both angular and diagnostic information. A valid angle value is between the upper and lower clamping voltage. If the analog output is in the diagnostic range, that is below 4 % $V_{DD}$  or above 96 % $V_{DD}$ , an error condition has been detected. The analog output repeats every 180°.



## 7. Diagnostic features

The KMA199 provides four diagnostic features:

### 7.1 EEPROM CRC and EDC supervision

The KMA199 system includes a supervision of the programmed data. At power-on, a CRC of the EEPROM is performed. Furthermore the EEPROM is protected against bit errors. Every 16-bit data word is saved internally as a 22-bit word for this purpose. The protection logic corrects any single-bit error in a data word, while the sensor continues in normal operation mode. Multiple bit errors per word will be detected and switches the device into diagnostic mode.

### 7.2 Magnet-loss detection

If the applied magnetic field strength is not sufficient, the KMA199 raises a diagnostic condition. In order to enter the diagnostic mode, due to EEPROM CRC or magnet-loss detection, the device can be programmed into active diagnostic mode, where the output is driven below 4 %V<sub>DD</sub> or above 96 %V<sub>DD</sub>.

### 7.3 Power-loss detection

The power-loss detection circuits enable the detection of an interrupted supply or ground line of the KMA199. In the case of a power-loss condition, two internal switches in sensor are closed, connecting the pin of the analog output with the supply voltage and the ground pins.

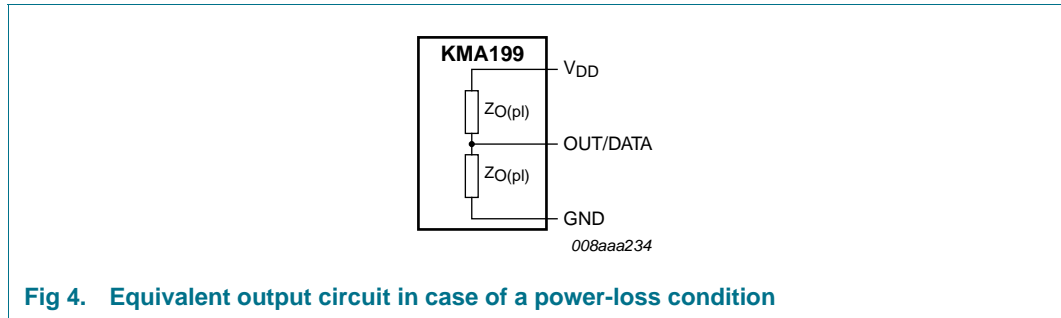


Fig 4. Equivalent output circuit in case of a power-loss condition

Table 4 shows the resulting output voltage depending on the error case and the load resistance.

Table 4. Power-loss behavior

Load resistance	Supply voltage lost	Ground lost
$R_L > 5\text{ k}\Omega$	$V_O \leq 4\%V_{DD}$	$V_O \geq 96\%V_{DD}$

### 7.4 Low supply voltage detection

If the supply voltage is below the switch-off threshold voltage, a status bit is set.

Table 5 describes the behavior of the analog output at different supply voltages.

Table 5. Supply voltage behavior

Voltage range	Description	Analog output
0 V to $\approx 1.5\text{ V}$	the output drives an active LOW, but the switches of the power-loss detection circuits are not fully opened and set the output to a level between ground and half the supply voltage	actively driven output to a voltage level between ground and half the supply voltage
$\approx 1.5\text{ V}$ to $V_{POR}$	all modules begin to work and the power-on reset is active	diagnostics at LOW level
$V_{POR}$ to $V_{th(on)}$ or $V_{th(off)}$	all modules begin to work and the digital part is initialized	EEPROM defined diagnostic level
$V_{th(on)}$ or $V_{th(off)}$ to 4.5 V	analog output is switched on after power-on time and represents the measured angle	analog output of the measured angle without the specified accuracy
4.5 V to 5.5 V	normal operation where the sensor works with the specified accuracy	analog output of the measured angle

## 8. Limiting values

**Table 6. Limiting values**

*In accordance with the Absolute Maximum Rating System (IEC 60134).*

Symbol	Parameter	Conditions	Min	Max	Unit
V <sub>DD</sub>	supply voltage		-0.3	+5.7	V
		t <sub>init</sub> < 200 h	[1] -	6.0	V
V <sub>O</sub>	output voltage		[2] -0.3	V <sub>DD</sub> + 0.3	V
I <sub>r</sub>	reverse current	T <sub>amb</sub> < 70 °C	-	150	mA
T <sub>amb</sub>	ambient temperature		-40	+160	°C
T <sub>amb(pr)</sub>	programming ambient temperature		10	70	°C
T <sub>stg</sub>	storage temperature		-40	+125	°C

### EEPROM

t <sub>ret(D)</sub>	data retention time	T <sub>amb</sub> = 50 °C	17	-	year
N <sub>endu(W_ER)</sub>	write or erase endurance	T <sub>amb(pr)</sub> = 70 °C	100	-	cycle

[1] Time until sensor environment is initialized.

[2] The maximum value of the output voltage is 5.7 V.

## 9. Recommended operating conditions

**Table 7. Operating conditions**

*In a homogenous magnetic field.*

Symbol	Parameter	Conditions	Min	Typ	Max	Unit
V <sub>DD</sub>	supply voltage		[1] 4.5	5.0	5.5	V
T <sub>amb</sub>	ambient temperature		-40	-	+160	°C
T <sub>amb(pr)</sub>	programming ambient temperature		10	-	70	°C
C <sub>L</sub>	load capacitance		[2] 0	-	22	nF
C <sub>block</sub>	blocking capacitance		[3] 75	-	∞	nF
R <sub>L</sub>	load resistance		[4] 5	-	∞	kΩ
H <sub>ext</sub>	external magnetic field strength		35	-	-	kA/m

[1] Normal operating mode.

[2] Between ground and analog output, as close as possible to the package for improved electromagnetic immunity.

[3] Between ground and supply voltage, as close as possible to the package and with a low equivalent series resistance.

[4] Power-loss detection is only possible with a load resistance within the specified range connected to the supply or ground line.

## 10. Thermal characteristics

**Table 8. Thermal characteristics**

Symbol	Parameter	Conditions	Typ	Unit
R <sub>th(j-a)</sub>	thermal resistance from junction to ambient		120	K/W



## 11. Characteristics

**Table 9. Supply current**

Characteristics are valid for the operating conditions, as specified in [Section 9](#).

Symbol	Parameter	Conditions	Min	Typ	Max	Unit
I <sub>DD</sub>	supply current		[1][2] 5	-	10	mA

[1] Normal operating mode.

[2] Without load current at the analog output.

**Table 10. Power-on reset**

Characteristics are valid for the operating conditions, as specified in [Section 9](#).

Symbol	Parameter	Conditions	Min	Typ	Max	Unit
V <sub>th(on)</sub>	switch-on threshold voltage	analog output switches on, if V <sub>DD</sub> > V <sub>th(on)</sub>	4.00	4.30	4.45	V
V <sub>th(off)</sub>	switch-off threshold voltage	analog output switches off, if V <sub>DD</sub> < V <sub>th(off)</sub>	-	4.20	4.30	V
V <sub>hys</sub>	hysteresis voltage	V <sub>hys</sub> = V <sub>th(on)</sub> - V <sub>th(off)</sub>	0.1	-	0.4	V
V <sub>POR</sub>	power-on reset voltage	IC is initialized	2.4	-	3.3	V

**Table 11. System performance**

Characteristics are valid for the operating conditions, as specified in [Section 9](#).

Symbol	Parameter	Conditions	Min	Typ	Max	Unit
α <sub>res</sub>	angle resolution		[1] -	-	0.04	deg
α <sub>max</sub>	maximum angle	programmable angular range for V <sub>(CL)u</sub> - V <sub>(CL)l</sub> ≥ 80 %V <sub>DD</sub>	[2] 5	-	180	deg
α <sub>ref</sub>	reference angle	programmable zero angle	[2] 0	-	180	deg
V <sub>O(nom)</sub>	nominal output voltage	at full supply operating range	5	-	95	%V <sub>DD</sub>
V <sub>O(udr)</sub>	upper diagnostic range output voltage		[3] 96	-	100	%V <sub>DD</sub>
V <sub>O(ldr)</sub>	lower diagnostic range output voltage		[3] 0	-	4	%V <sub>DD</sub>
V <sub>(CL)u</sub>	upper clamping voltage		[4] 40	-	95	%V <sub>DD</sub>
V <sub>(CL)l</sub>	lower clamping voltage		[4] 5	-	30.5	%V <sub>DD</sub>
ΔV <sub>(CL)</sub>	clamping voltage variation	deviation from programmed value	-0.3	-	+0.3	%V <sub>DD</sub>
I <sub>O</sub>	output current	normal operation mode; operating as sink or source	-	-	2	mA
V <sub>n(o)(RMS)</sub>	RMS output noise voltage	equivalent power noise	[5] -	0.4	2.5	mV
Δφ <sub>lin</sub>	linearity error	temperature range -40 °C to +160 °C	[5][6] -1.2	-	+1.2	deg
		temperature range -40 °C to +140 °C	[5][6] -1	-	+1	deg
Δφ <sub>temp</sub>	temperature drift error	temperature range -40 °C to +160 °C	[1][5][6] -	-	0.8	deg
			[7]			
		temperature range -40 °C to +140 °C	[1][5][6] -	-	0.65	deg
			[7]			

**Table 11. System performance ...continued**

Characteristics are valid for the operating conditions, as specified in [Section 9](#).

Symbol	Parameter	Conditions	Min	Typ	Max	Unit
$\Delta\phi_{\text{temp} RT}$	temperature drift error at room temperature	temperature range –40 °C to +160 °C	[6][7][8] -	-	0.65	deg
		temperature range –40 °C to +140 °C	[6][7][8] -	-	0.55	deg
$\Delta\phi_{\text{hys}}$	hysteresis error	referred to input	[5][6] -	-	0.09	deg
$\Delta\phi_{\mu\text{lin}}$	microlinearity error	referred to input	[5][6] –0.1	-	+0.1	deg
$\Delta\phi_{\text{ang}}$	angular error	temperature range –40 °C to +160 °C	[5][6][9] –1.35	-	+1.35	deg
		temperature range –40 °C to +140 °C	[5][6][9] –1.1	-	+1.1	deg
$m_{\text{ang}}$	slope of angular error		[5][6][9] -	-	0.04	deg/deg
$Z_{O(p)}$	power-loss output impedance	impedance to remaining supply line in case of lost supply voltage or lost ground	-	-	210	$\Omega$

[1] At a nominal output voltage between 5 % $V_{DD}$  and 95 % $V_{DD}$  and a maximum angle of  $\alpha_{\text{max}} = 180^\circ$ .

[2] In steps of resolution < 0.022°.

[3] Activation is dependent on the programmed diagnostic mode.

[4] In steps of 0.02 % $V_{DD}$ .

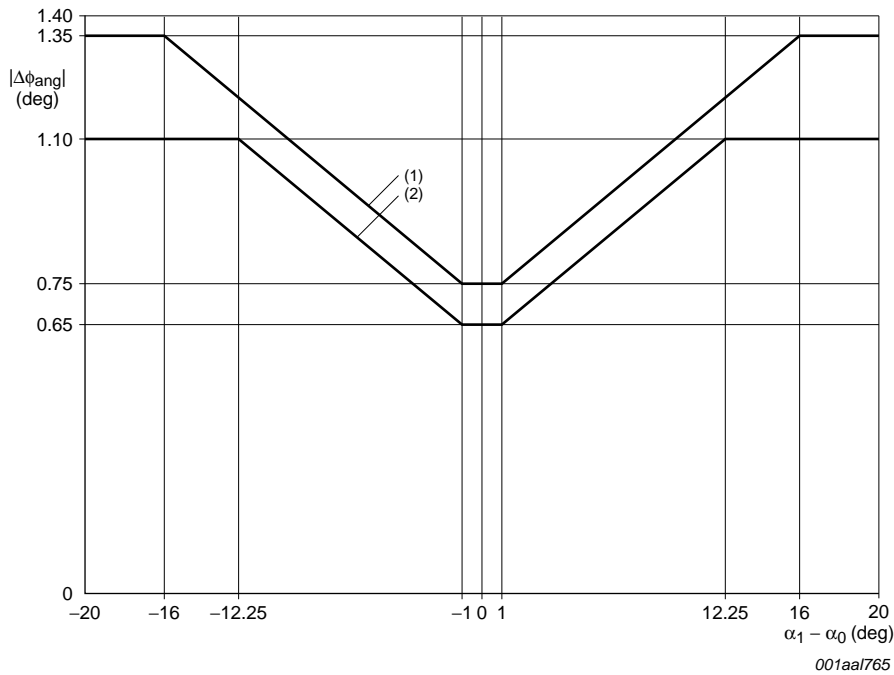
[5] At a low-pass filtered analog output with a cut-off frequency of 0.7 kHz.

[6] Definition of errors is given in [Section 12](#).

[7] Based on a 3 $\sigma$  standard deviation.

[8] Room temperature is given for an ambient temperature of 25 °C.

[9] Graph of angular error is shown in [Figure 5](#).



- (1) -40 °C to +160 °C.
- (2) -40 °C to +140 °C.

Fig 5. Envelope curve for the magnitude of angular error

Table 12. Dynamics

Characteristics are valid for the operating conditions, as specified in Section 9.

Symbol	Parameter	Conditions	Min	Typ	Max	Unit
t <sub>on</sub>	turn-on time	until first valid result	[1] -	-	5	ms
f <sub>upd</sub>	update frequency		2	3.125	-	kHz
t <sub>s</sub>	settling time	after an ideal mechanical angle step of 45°, until 90 % of the final value is reached; C <sub>L</sub> = 5 nF	-	-	1.8	ms
t <sub>cmd(ent)</sub>	enter command mode time	after power on	16	-	26	ms

[1] After reaching the power-on threshold voltage.

Table 13. Digital interface

Characteristics are valid for the operating conditions, as specified in Section 9.

Symbol	Parameter	Conditions	Min	Typ	Max	Unit
V <sub>IH</sub>	HIGH-level input voltage		80	-	-	%V <sub>DD</sub>
V <sub>IL</sub>	LOW-level input voltage		-	-	20	%V <sub>DD</sub>
V <sub>OH</sub>	HIGH-level output voltage	I <sub>O</sub> = 2 mA	80	-	-	%V <sub>DD</sub>
V <sub>OL</sub>	LOW-level output voltage	I <sub>O</sub> = 2 mA	-	-	20	%V <sub>DD</sub>
I <sub>od</sub>	overdrive current	absolute value for overdriving the output buffer	-	-	20	mA
t <sub>start</sub>	start time	LOW level before rising edge	5	-	-	μs

**Table 13. Digital interface ...continued**

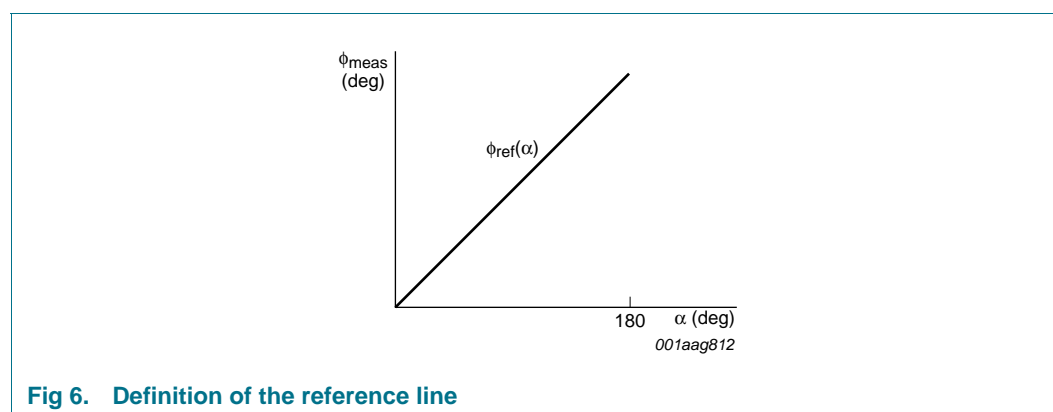
Characteristics are valid for the operating conditions, as specified in [Section 9](#).

Symbol	Parameter	Conditions	Min	Typ	Max	Unit
$t_{stop}$	stop time	HIGH level before falling edge	5	-	-	$\mu\text{s}$
$T_{bit}$	bit period	minimum period may be limited by the load capacitance	10	-	100	$\mu\text{s}$
$\Delta T_{bit}$	bit period deviation	deviation between received clock and sent clock	$0.8T_{bit}$	$1T_{bit}$	$1.2T_{bit}$	s
$t_{w0}$	pulse width 0		$0.175T_{bit}$	$0.25T_{bit}$	$0.375T_{bit}$	s
$t_{w1}$	pulse width 1		$0.625T_{bit}$	$0.75T_{bit}$	$0.825T_{bit}$	s
$t_{to}$	time-out time	digital communication reset guaranteed after maximum $t_{to}$	-	-	220	$\mu\text{s}$
$t_{tko(slv)}$	slave takeover time	duration of LOW level for slave takeover	1	-	5	$\mu\text{s}$
$t_{tko(mas)}$	master takeover time	duration of LOW level for master takeover	$0T_{bit}$	-	$0.5T_{bit}$	s
$t_{prog}$	programming time	for a single EEPROM address	20	-	-	ms
$t_{cp}$	charge pump time	waiting time after enabling the EEPROM charge pump clock	1	-	-	ms

## 12. Definition of errors

### 12.1 General

Angular measurement errors by the KMA199 result from linearity errors, temperature drift errors and hysteresis errors. [Figure 6](#) shows the output signal of an ideal sensor, where the measured angle  $\phi_{meas}$  corresponds ideally to the magnetic field angle  $\alpha$ . This curve will further be denoted as angle reference line  $\phi_{ref}(\alpha)$  with a slope of  $0.5\%V_{DD}/\text{deg}$ .



The angular range is set to  $\alpha_{max} = 180^\circ$  and the clamping voltages are programmed to  $V_{(CL)l} = 5\%V_{DD}$  and  $V_{(CL)u} = 95\%V_{DD}$  for a valid definition of errors.

### 12.2 Hysteresis error

The hysteresis error  $\Delta\phi_{hys}$  is defined as the maximum difference between the angles, given by the device output when performing a positive (clockwise) rotation and negative (counter clockwise) rotation over an angular range of 180°, measured at a constant temperature.

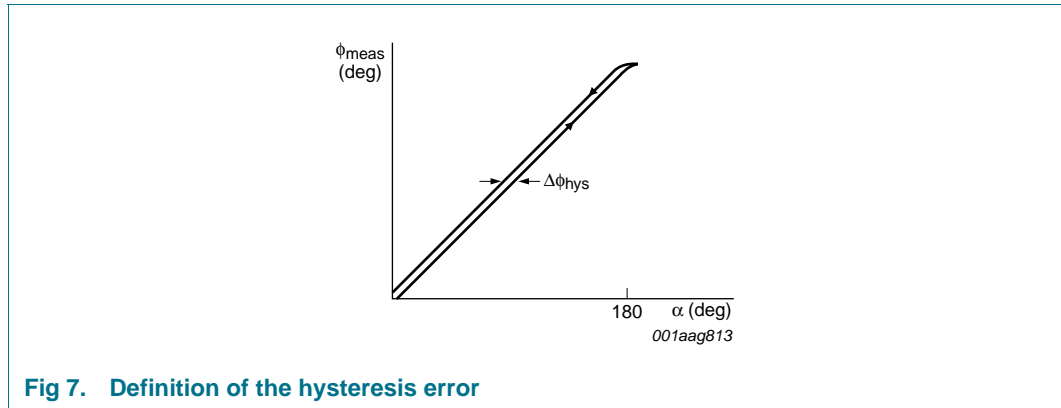


Fig 7. Definition of the hysteresis error

Equation 1 gives the mathematical description for the hysteresis value  $\Delta\phi_{hys}$ :

$$\Delta\phi_{hys}(\alpha) = |\phi_{meas}(\alpha \rightarrow 180^\circ) - \phi_{meas}(\alpha \rightarrow 0^\circ)| \tag{1}$$

### 12.3 Linearity error

The KMA199 output signal deviation from a best straight line  $\phi_{BSL}$ , with the same slope as the reference line, is defined as linearity error. The magnetic field angle is varied at fixed temperatures for measurement of this linearity error. The output signal deviation from the best straight line at the given temperature is the linearity error  $\Delta\phi_{lin}$ . It is a function of the magnetic field angle  $\alpha$  and the temperature of the device  $T_{amb}$ .

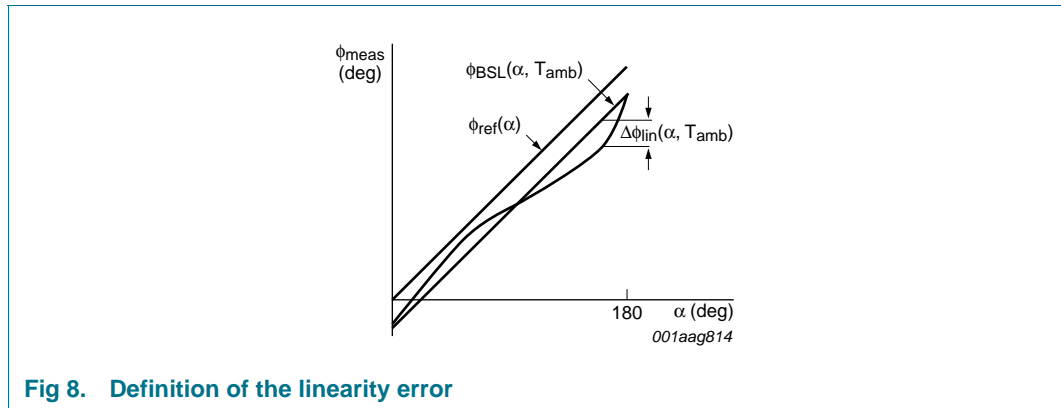


Fig 8. Definition of the linearity error

12.4 Microlinearity error

The microlinearity error  $\Delta\phi_{\mu lin}$  is the device output deviation from  $1^\circ$ , if the magnetic field angle  $\alpha$  is changed by  $\Delta\alpha = 1^\circ$ .

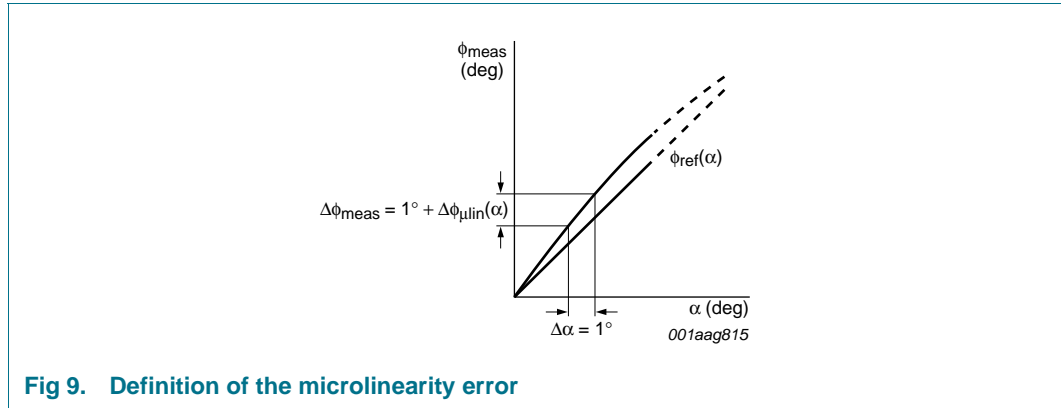


Fig 9. Definition of the microlinearity error

12.5 Temperature drift error

The temperature drift  $\Delta\phi_{temp}$  is defined as the envelope over the deviation of the angle versus the temperature range. It is considered as the pure thermal effect.

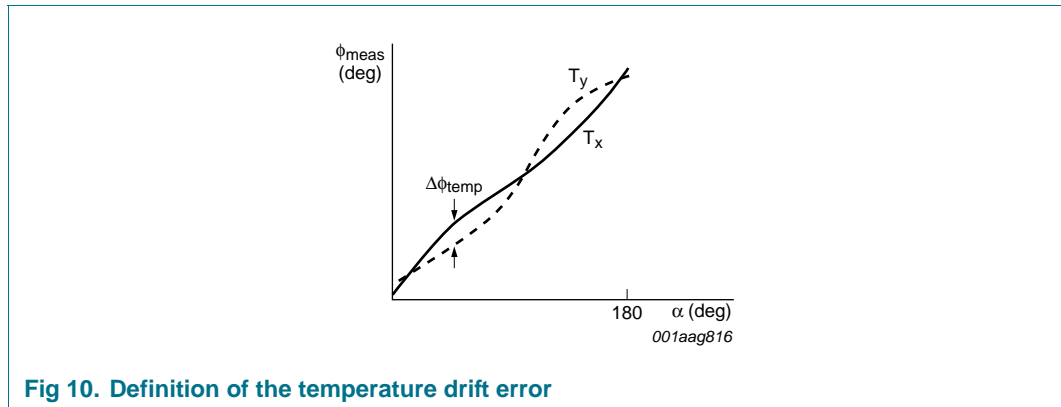


Fig 10. Definition of the temperature drift error

Equation 2 gives the mathematical description for temperature drift value  $\Delta\phi_{temp}$ :

$$\Delta\phi_{temp}(\alpha) = |\phi_{meas}(\alpha, T_x) - \phi_{meas}(\alpha, T_y)| \tag{2}$$

with:

$T_x$ : temperature for maximum  $\phi_{meas}$  at angle  $\alpha$

$T_y$ : temperature for minimum  $\phi_{meas}$  at angle  $\alpha$

The deviation from the value at room temperature  $\Delta\phi_{temp|RT}$  describes the temperature drift of the angle, compared to the value, which the sensor provides at room temperature:

$$\Delta\phi_{temp|RT}(\alpha, T_{amb}) = |\phi_{meas}(\alpha, T_{amb}) - \phi_{meas}(\alpha, T_{RT})| \tag{3}$$

with:

$T_{RT}$ : room temperature (25 °C)

### 12.6 Angular error

The angular error  $\Delta\phi_{ang}$  is the error of angle difference measured by the sensor, if the mechanical angle deviates from  $\alpha_0$  to  $\alpha_1$ . Here  $\alpha_0$  and  $\alpha_1$  are arbitrary angles within the angular range. The angle measurement at  $\alpha_0$  is the initially programmed reference angle, programmed by the customer at room temperature and zero hour upon production. The angle measurement at  $\alpha_1$  is made at any temperature within the ambient temperature range:

$$\Delta\phi_{ang} = (\phi_{meas}(\alpha_1, T_{amb}) - \phi_{meas}(\alpha_0, T_{RT})) - (\alpha_1 - \alpha_0) \tag{4}$$

with:

$\alpha_0, \alpha_1$ : arbitrary mechanical angles within the angular range

$\phi_{meas}(\alpha_0, T_{RT})$ : programmed angle at  $\alpha_0, T_{RT} = 25\text{ °C}$  and zero hour upon production

$\phi_{meas}(\alpha_1, T_{amb})$ : angle measured by the sensor at  $\alpha_1$  and any temperature within  $T_{amb}$

This error comprises non-linearity and temperature drift related to the room temperature.

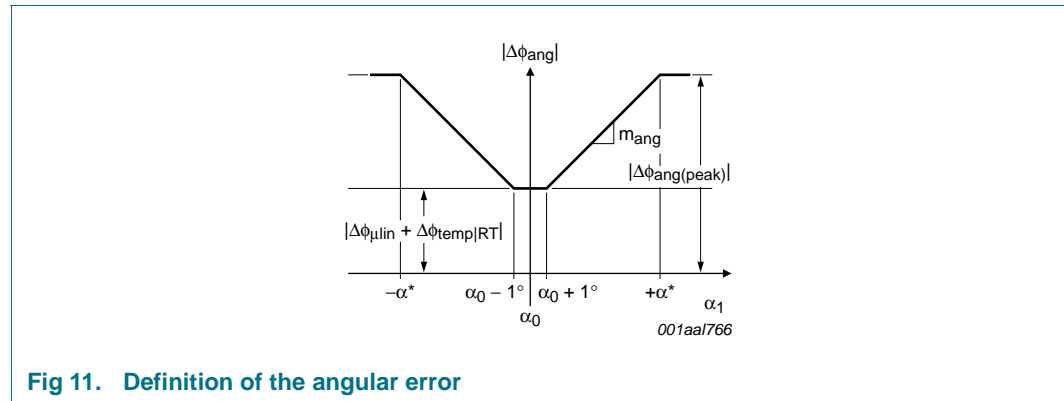


Fig 11. Definition of the angular error

Figure 11 shows the envelope curve for the magnitude of angular error  $|\Delta\phi_{ang}|$  versus  $\alpha_1$  for all angles  $\alpha_0$  and all temperatures  $T_{amb}$  within the ambient temperature range.  $|\Delta\phi_{ang}|$  has its minimum, if  $\alpha_1$  is in the range of  $\pm 1^\circ$  around  $\alpha_0$ . Here only the microlinearity error  $\Delta\phi_{\mu lin}$  and the temperature drift related to the room temperature  $|\Delta\phi_{temp|RT}|$  occurs. If  $\alpha_1$  deviates from  $\alpha_0$  by more than  $1^\circ$  in either direction,  $|\Delta\phi_{ang}|$  can increase with a gradient defined by slope  $m_{ang}$ .

Angular error can be expressed by [Equation 5](#) to [Equation 8](#):

for  $|\alpha_1 - \alpha_0| \leq 1^\circ$

$$|\Delta\phi_{ang}| = |\Delta\phi_{\mu lin} + \Delta\phi_{temp|RT}| \quad (5)$$

for  $1^\circ < |\alpha_1 - \alpha_0| < \alpha^*$

$$|\Delta\phi_{ang}| = |\Delta\phi_{\mu lin} + \Delta\phi_{temp|RT}| + m_{ang} \times (|\alpha_1 - \alpha_0| - 1^\circ) \quad (6)$$

for  $|\alpha_1 - \alpha_0| \geq \alpha^*$

$$|\Delta\phi_{ang}| = \sqrt{(\Delta\phi_{lin})^2 + (\Delta\phi_{temp|RT})^2} \quad (7)$$

with:

$$\alpha^* = \frac{|\Delta\phi_{ang(peak)}| - |\Delta\phi_{\mu lin} + \Delta\phi_{temp|RT}|}{m_{ang}} + \alpha_0 + 1^\circ \quad (8)$$

## 13. Programming

### 13.1 General description

The KMA199 provides an OWI to enable programming of the device which uses pin OUT/DATA bidirectionally.

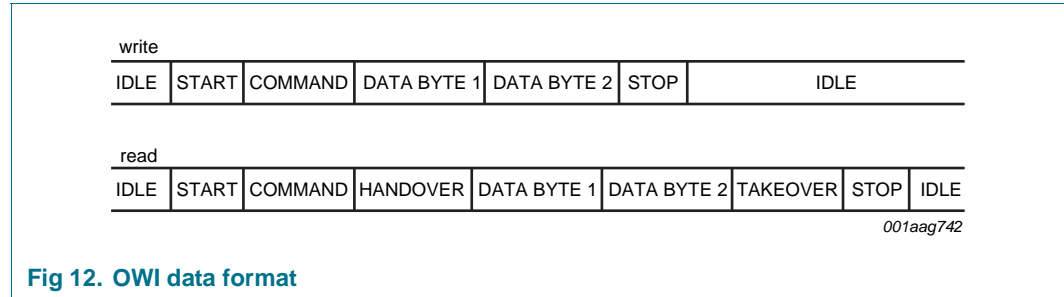
In general the device runs in analog output mode, the normal operating mode. This mode is configured by the embedded programming data and is started after a power-on reset once time  $t_{on}$  has elapsed. In this mode, the magnetic field angle is converted into the corresponding output voltage.

Command mode has to be entered to enable programming. In this mode, the customer can adjust all required parameters (for example zero angle and angular range) to meet the application requirements. After enabling the internal charge pump and waiting for  $t_{cp}$  the data is stored in the EEPROM. After changing the contents of the EEPROM, the checksum must be recalculated and written (see [Section 13.4](#)).

In order to enter the command mode, a specific command sequence must be send after a power-on reset and during the time slot  $t_{cmd(ent)}$ . The external source used to send the command sequence must overdrive the output buffer of the KMA199 ( $I > I_{od}$ ).



During communication, the KMA199 is always the slave and the external programming hardware is the master. [Figure 12](#) illustrates the structure of the OWI data format.



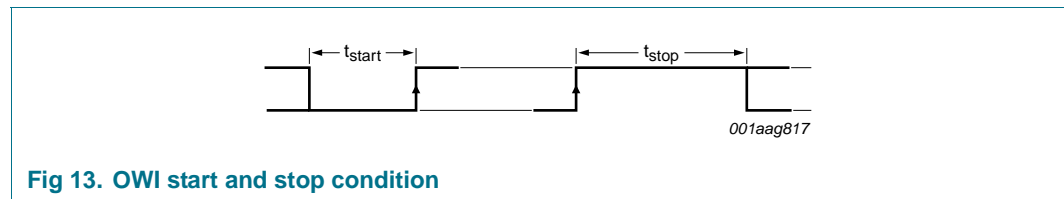
**Fig 12. OWI data format**

The master provides the start condition, which is a rising edge after a LOW level. Then a command byte which can be either a read or a write command is send. Depending on the command, the master or the slave has to send the data immediately after the command sequence. In the case of a read command, an additional handover or takeover bit is inserted before and after the data bytes. Each communication must be closed with a stop condition driven by the master. If the slave does not receive a rising edge for a time longer than  $t_{to}$ , a time-out condition occurs. The bus is reset to the idle state and waits for a start condition and a new command. This can be used to synchronize the device regardless of the previous state.

All communication is based on this structure (see [Figure 12](#)), even for entering the command mode. In this case a special write command is required, followed by the command sequence (two data bytes). The customer can access the EEPROM, CTRL1, TESTCTRL0 and SIGNATURE registers (described in [Section 13.5](#)). Only a power-on reset will leave the command mode. A more detailed description of the programming is given in the next sections.

### 13.2 Timing characteristics

As described in the previous section, a start and stop condition is necessary for communication. The LOW-level duration before the rising edge of the start condition is defined as  $t_{start}$ . The HIGH-level duration after the rising edge of the stop condition is defined as  $t_{stop}$ . These parameters, together with all other timing characteristics are shown in [Table 13](#).



**Fig 13. OWI start and stop condition**

Figure 14 shows the coding of a single bit with a HIGH level of  $V_{IH}$  and a LOW level of  $V_{IL}$ . Here the pulse width  $t_1$  or  $t_0$  represents a logic 1 or a logic 0 of a full bit period  $T_{bit}$ , respectively.

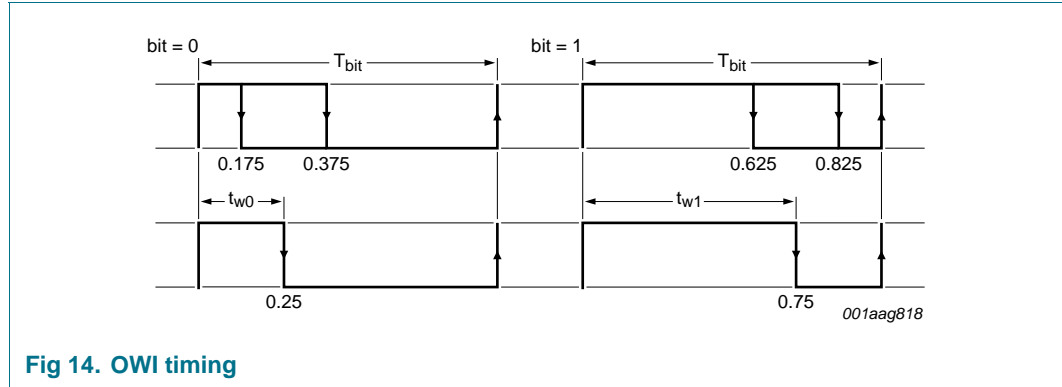


Fig 14. OWI timing

### 13.3 Sending and receiving data

The master has to control the communication during sending or receiving data. The command byte defines the region, address and type of command requested by the master. In case of a read command, an additional handover or takeover bit must be inserted before and after the two data bytes (see Figure 12). However the OWI is a serial data transmission, whereas the Most Significant Byte (MSB) must be send at first.

Table 14. Format of a command byte

7	6	5	4	3	2	1	0
CMD7	CMD6	CMD5	CMD4	CMD3	CMD2	CMD1	CMD0

Table 15. Command byte bit description

Bit	Symbol	Description
7 to 5	CMD[7:5]	region bits 000 = 16-bit EEPROM 001 to 011 = reserved 100 = 16-bit register 101 to 111 = reserved
4 to 1	CMD[4:1]	address bits
0	CMD0	read/write 0 = write 1 = read

A more detailed description of all customer accessible registers is given in Section 13.5. Both default value and the complete command including the address and write or read request are also listed.

13.3.1 Write access

To write data to the EEPROM, the internal charge pump must be enabled by setting the bits EEP\_CP\_CLOCK\_EN and EEP\_WRITE\_EN and waiting for  $t_{cp}$ . The following procedure must be performed:

- Start condition: The master drives a rising edge after a LOW level
- Command: The master sends a write command (CMD0 = 0)
- Data: The master sends two data bytes
- Stop condition: The master drives a rising edge after a LOW level

Figure 15 shows the write access of the digital interface. The signal OWI represents the data on the bus from the master or slave. The signals master output enable and slave output enable just symbolize if the master or the slave output is enabled or disabled, respectively.

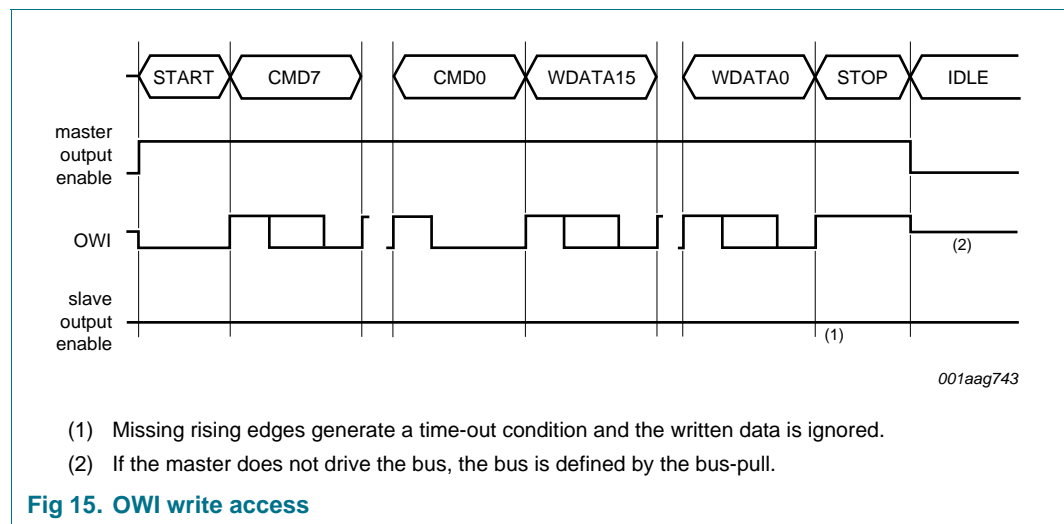


Fig 15. OWI write access

**Note:** As already mentioned in Section 13.1, the command mode has to be entered using the write procedure. If command mode is not entered, digital communication is not possible and the sensor operates in normal operating mode. After changing an address, the time  $t_{prog}$  must elapse before changing another address. Finally the checksum must be recalculated and written, after changing the contents of the EEPROM (see Section 13.4).

13.3.2 Read access

To read data from the sensor, the following procedure must be performed:

- Start condition: The master drives a rising edge after a LOW level
- Command: The master sends a read command (CMD0 = 1)
- Handover: The master sends a handover bit, that is a logic 0 and disables the output after a three-quarter bit period
- Takeover: The slave drives a LOW level after the falling edge for  $t_{tko(slv)}$
- Data: The slave sends two data bytes
- Handover: The slave sends a handover bit, that is a logic 0 and disables the output after a three-quarter bit period
- Takeover: The master drives a LOW level after the falling edge for  $t_{tko(mas)}$
- Stop condition: The master drives a rising edge after a LOW level

Figure 16 shows the read access of the digital interface. The signal OWI represents the data on the bus from the master or slave. The signals master output enable and slave output enable just symbolize if the master or the slave output is enabled or disabled, respectively.

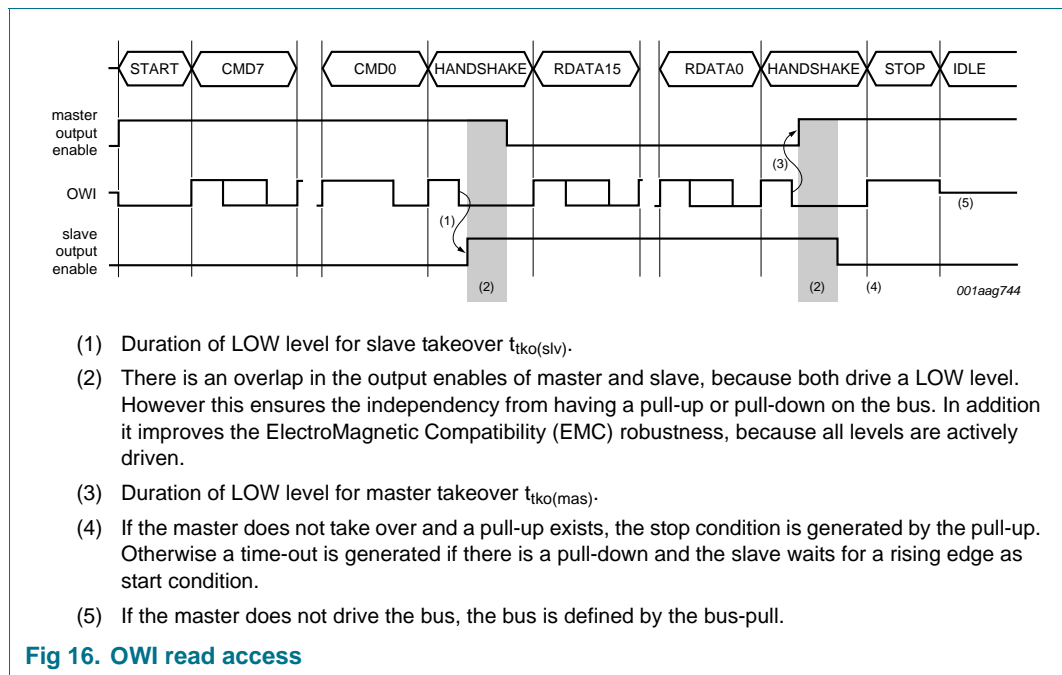


Fig 16. OWI read access

### 13.3.3 Entering the command mode

After a power-on reset, the sensor provides a time slot  $t_{cmd(ent)}$  for entering the command mode. A specific command sequence has to be send (see [Figure 17](#)). If command mode is not entered, the sensor starts in the normal operating mode. However the signature can be written by the master, if the sensor switches to diagnostic mode.

During the command mode sequence, the analog output is enabled. The external programming hardware has to overdrive the output with the current  $I_{od}$ . If command mode is activated, the analog output is disabled and pin OUT/DATA operates as a digital interface.

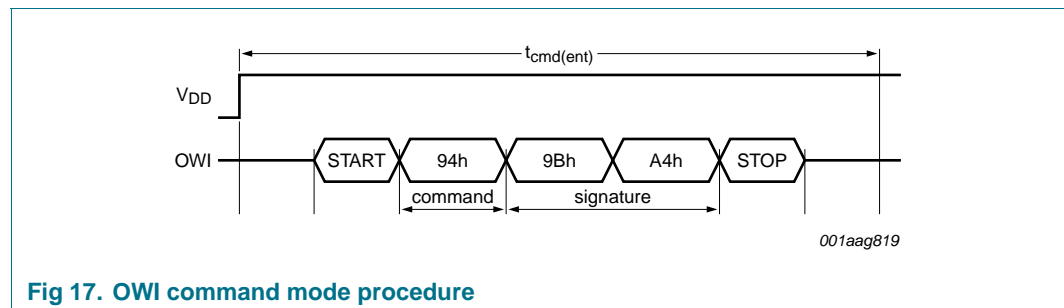


Fig 17. OWI command mode procedure

### 13.4 Cyclic redundancy check

As already mentioned in [Section 7](#), there is an 8-bit checksum for the EEPROM data. To calculate this value, the CRC needs to be generated with the MSB of the EEPROM data word at first over all corresponding addresses in increasing order.

All addresses from 0h to Fh have to be read out for calculating the checksum. The Least Significant Byte (LSB) of address Fh which contains the previous checksum must be overwritten with 0h before the calculation can be started.

Finally, the internal charge pump has to be enabled for programming by setting the bits EEP\_CP\_CLOCK\_EN and EEP\_WRITE\_EN (see [Table 16](#)) and waiting for  $t_{cp}$ .

The generator polynomial for the calculation of the checksum is:

$$G(x) = x^8 + x^2 + x + 1 \tag{9}$$

With a start value of FFh and the data bits are XOR at the  $x^8$  point.

### 13.4.1 Software example in C

```

1  #include <stdio.h>
2
3  // calc_crc accepts unsigned 16-bit data in data
4  int calc_crc(int crc, unsigned int data)
5  {
6      const int gpoly = 0x107; // generator polynomial
7      int i; //index variable
8      for (i = 15; i >= 0; i--)
9      {
10         crc <<= 1; //shift left
11         crc |= (int) ((data & (1u<<i))>>i);
12         // XOR of with generator polynomial when MSB(9) = HIGH
13         if (crc & 0x100) crc ^= gpoly;
14     }
15     return crc;
16 }
17 int main(void)
18 {
19     int crc, crc_res, i;
20     // 8 LSB are CRC field filled with 0
21     unsigned int data_seq[] = {0x1111, 0x2222, 0x3333, 0x4444,
22                               0x5555, 0x6666, 0x7777, 0x8888,
23                               0x9999, 0xAAAA, 0xBBBB, 0xCCCC,
24                               0xDDDD, 0xEEEE, 0xFFFF, 0x4200};
25     // calculate checksum over all data
26     crc = 0xFF; // start value of crc register
27     printf("Address\tValue\n");
28     for (i = 0; i <= 15; i++)
29     {
30         printf("0x%1X\t0x%04X\n", i, data_seq[i]);
31         crc = calc_crc(crc, data_seq[i]);
32     }
33     crc_res = crc; // crc_res = 0x6F
34     printf("\nChecksum\n0x%02X\n", crc_res);
35     // check procedure for above data sequence
36     crc = 0xFF;
37     for (i = 0; i <= 14; i++)
38         crc = calc_crc(crc, data_seq[i]);
39     // last word gets crc inserted
40     crc = calc_crc(crc, data_seq[i] | crc_res);
41     printf("\nCheck procedure for data sequence: must be 0x00 is 0x%02X.\n", crc);
42     return 1;
43 }

```

The checksum of this data sequence is 6Fh.

## 13.5 Registers

### 13.5.1 Command registers

To enter the command mode, the signature given in [Table 16](#) must be written using the OWI into the specific register. This must be done as described in [Section 13.3.3](#), with a write command, followed by the signature, but after a power-on reset and not later than  $t_{cmd(ent)}$ .

**Table 16. Command registers**

Command write/read	Register	Bit	Access	Field	Description
82h/83h	CTRL1	15	R	IN_DIAG_MODE	shows if there is a diagnostic condition present; this bit is not affected by the setting of the register field FORCE_DIAG_OFF
		14	R/W	FORCE_DIAG_OFF	force diagnostic mode off; default: 0b
		13	-	-	reserved
		12	R	LOW_VOLTAGE_DET	low voltage condition detected
		11	R/W	EEP_CP_CLOCK_EN	charge pump clock on (must be set after setting EEPROM write enable signal for writing to EEPROM); default: 0b
		10 and 9	-	-	reserved
		8	R	EEP_ERR_CORRECT	EDC: EEPROM error has been corrected; updated every EEPROM readout and remains set once set
		7	R	EEP_UNCORR_ERR	EDC: EEPROM uncorrectable error has been detected; updated every EEPROM readout and remains set once set
		6	R	MAGNET_LOSS_DET	magnet-loss detected; bit remains set even if the condition disappears; for this detection which leads to diagnostic mode, the magnet-loss detection must be enabled
		5	-	-	reserved
		4	R	CRC_BAD	CRC check has failed (checked during start-up)
		3 to 0	-	-	reserved
		94h/-	SIGNATURE	15 to 0	W
96h/97h	TESTCTRL0	15 to 12	-	-	reserved
		11	W	EEP_WRITE_EN	EEPROM write enable signal (must be set before writing to EEPROM) <b>0605h</b> — disabled (default) <b>0E05h</b> — enabled
		10 to 0	-	-	reserved

### 13.5.2 EEPROM registers

The device includes several internal registers which are used for customization and identification.

The initial signature allows read access to all areas but only write access to customer registers. Write accesses to reserved areas are ignored. Since these registers are implemented as EEPROM cells, writing to the registers needs a specific time  $t_{\text{prog}}$  after each write access to complete.

As there is no check for the programming time, the user must make sure no other accesses to the EEPROM are made during the programming cycle. The EEPROM must not be addressed during the time  $t_{\text{prog}}$ .

**Note:** Before data can be stored in the EEPROM, the internal charge pump has to be switched on for the programming duration by setting register CTRL1, bit 11 EEP\_CP\_CLOCK\_EN and register TESTCTRL0, bit 11 EEP\_WRITE\_EN. All register addresses have to be read out for calculating the checksum. However, some register addresses are reserved for calibration.

**Table 17. EEPROM registers**

Address	Command write/read	Register	Bit	Description	Default MSB/LSB
0h	-/01h	reserved	-	addresses are reserved for calibration purposes	<a href="#">[1]</a>
1h	-/03h		<b>Note:</b> These addresses have to be read out for calculating the checksum.		
2h	-/05h				
3h	-/07h				
4h	-/09h				
5h	-/0Bh				
6h	-/0Dh				
7h	0Eh/0Fh	ZERO_ANGLE	15 to 0	mechanical zero degree position	00h/00h
8h	10h/11h	MAGNET_LOSS	15 to 0	magnet-loss detection <b>0000h</b> — disabled <b>004Fh</b> — enabled	00h/00h
9h	12h/13h	ANG_RNG_MULT_LSB	15 to 3	least significant bits of the angular range multiplier	20h/00h
			2 to 0	undefined <sup>[2]</sup>	
Ah	14h/15h	CLAMP_LO	15 to 13	undefined <sup>[2]</sup>	01h/00h
			12 to 0	lower clamping level output voltage	
Bh	16h/17h	CLAMP_HI	15 to 13	undefined <sup>[2]</sup>	12h/FFh
			12 to 0	upper clamping level output voltage	
Ch	18h/19h	ID_LO	15 to 0	lower 16 bits of identification code	00h/00h
Dh	1Ah/1Bh	ID_HI	15 to 0	upper 16 bits of identification code	00h/00h
Eh	1Ch/1Dh	CLAMP_SW_ANGLE	15 to 6	when angle is bigger than CLAMP_SW_ANGLE the output switches to CLAMP_LO for a positive slope	FFh/C1h
		ANG_RNG_MULT_MSB	5 to 0	most significant bits of the angular range multiplier	



Table 17. EEPROM registers ...continued

Address	Command write/read	Register	Bit	Description	Default MSB/LSB
Fh	1Eh/1Fh	EEP_CTRL_CUST	15 and 14	undefined <sup>[2]</sup>	0Ch <sup>[1]</sup>
			13 and 12	DIAGNOSTIC_LEVEL; diagnostic level behavior of the analog output <b>00b</b> — active LOW (in lower diagnostic range) with driver strength of the analog output <b>01b</b> — active HIGH (in upper diagnostic range) with driver strength of the analog output <b>10b</b> — reserved <b>11b</b> — reserved	
			11 and 10	reserved; may not be changed	
			9	undefined <sup>[2]</sup>	
			8	SLOPE_DIR; slope of analog output <b>0b</b> — rising (not inverted) <b>1b</b> — falling (inverted)	
			7 to 0	CRC; checksum over all data (see Section 13.4)	

[1] Variable and individual for each device.

[2] Undefined; must be written as zero for default.

Table 18. ZERO\_ANGLE - mechanical zero degree position (address 7h) bit allocation

Data format: unsigned fixed point; resolution: 2<sup>-16</sup>.

Bit	15	14	13	12	11	10	9	8	7	6	5	4	3	2	1	0
Value	2 <sup>-1</sup>	2 <sup>-2</sup>	2 <sup>-3</sup>	2 <sup>-4</sup>	2 <sup>-5</sup>	2 <sup>-6</sup>	2 <sup>-7</sup>	2 <sup>-8</sup>	2 <sup>-9</sup>	2 <sup>-10</sup>	2 <sup>-11</sup>	2 <sup>-12</sup>	2 <sup>-13</sup>	2 <sup>-14</sup>	2 <sup>-15</sup>	2 <sup>-16</sup>

Mechanical angular range 0000h = 0° to FFFFh = 180° – 1 LSB

Examples:

- Mechanical zero angle 0° = 0000h
- Mechanical zero angle 10° = 0E38h
- Mechanical zero angle 45° = 4000h

Table 19. ANG\_RNG\_MULT\_LSB - least significant bits of angular range multiplier (address 9h) bit allocation

Data format: unsigned fixed point; resolution: 2<sup>-14</sup>.

Bit	15	14	13	12	11	10	9	8	7	6	5	4	3	2	1	0
Value	2 <sup>-2</sup>	2 <sup>-3</sup>	2 <sup>-4</sup>	2 <sup>-5</sup>	2 <sup>-6</sup>	2 <sup>-7</sup>	2 <sup>-8</sup>	2 <sup>-9</sup>	2 <sup>-10</sup>	2 <sup>-11</sup>	2 <sup>-12</sup>	2 <sup>-13</sup>	2 <sup>-14</sup>	U <sup>[1]</sup>	U <sup>[1]</sup>	U <sup>[1]</sup>

[1] Undefined; must be written as zero for default and may return any value when read.

$$ANG\_RNG\_MULT = \frac{CLAMP\_HI - CLAMP\_LO}{8192} \times \frac{180^\circ}{ANGULAR\_RANGE} \tag{10}$$

**Table 20. CLAMP\_LO - lower clamping level output voltage (address Ah) bit allocation**

Data format: integer (DAC values 256 to 4864); resolution: 2<sup>0</sup>.

Bit	15	14	13	12	11	10	9	8	7	6	5	4	3	2	1	0
Value	U <sup>[1]</sup>	U <sup>[1]</sup>	U <sup>[1]</sup>	2 <sup>12</sup>	2 <sup>11</sup>	2 <sup>10</sup>	2 <sup>9</sup>	2 <sup>8</sup>	2 <sup>7</sup>	2 <sup>6</sup>	2 <sup>5</sup>	2 <sup>4</sup>	2 <sup>3</sup>	2 <sup>2</sup>	2 <sup>1</sup>	2 <sup>0</sup>

[1] Undefined; must be written as zero for default and may return any value when read.

Values 0 to 255 are reserved. It is not permitted to use such values.

Examples:

- 100 %V<sub>DD</sub> = 5120 (reserved)
- 10 %V<sub>DD</sub> = 512
- 5 %V<sub>DD</sub> = 256

**Table 21. CLAMP\_HI - upper clamping level output voltage (address Bh) bit allocation**

Data format: integer (DAC values 256 to 4864); resolution: 2<sup>0</sup>.

Bit	15	14	13	12	11	10	9	8	7	6	5	4	3	2	1	0
Value	U <sup>[1]</sup>	U <sup>[1]</sup>	U <sup>[1]</sup>	2 <sup>12</sup>	2 <sup>11</sup>	2 <sup>10</sup>	2 <sup>9</sup>	2 <sup>8</sup>	2 <sup>7</sup>	2 <sup>6</sup>	2 <sup>5</sup>	2 <sup>4</sup>	2 <sup>3</sup>	2 <sup>2</sup>	2 <sup>1</sup>	2 <sup>0</sup>

[1] Undefined; must be written as zero for default and may return any value when read.

Values 4865 to 5120 are reserved. It is not permitted to use such values.

Examples:

- 100 %V<sub>DD</sub> = 5120 (reserved)
- 95 %V<sub>DD</sub> = 4864
- 90 %V<sub>DD</sub> = 4608

**Table 22. ANG\_RNG\_MULT\_MSB - most significant bits of angular range multiplier (address Eh) bit allocation**

Data format: unsigned fixed point.

Bit	15	14	13	12	11	10	9	8	7	6	5	4	3	2	1	0
Value	CLAMP_SW_ANGLE										2 <sup>4</sup>	2 <sup>3</sup>	2 <sup>2</sup>	2 <sup>1</sup>	2 <sup>0</sup>	2 <sup>-1</sup>

$$ANG\_RNG\_MULT = \frac{CLAMP\_HI - CLAMP\_LO}{8192} \times \frac{180^\circ}{ANGULAR\_RANGE} \quad (11)$$

Examples:

- $ANG\_RNG\_MULT = \frac{4864 - 256}{8192} \times \frac{180^\circ}{180^\circ} = 0.5625$
- $ANG\_RNG\_MULT = \frac{4864 - 256}{8192} \times \frac{180^\circ}{90^\circ} = 1.125$

**Table 23. CLAMP\_SW\_ANGLE - clamp switch angle (address Eh) bit allocation**

Data format: unsigned fixed point.

Bit	15	14	13	12	11	10	9	8	7	6	5	4	3	2	1	0
Value	2 <sup>-1</sup>	2 <sup>-2</sup>	2 <sup>-3</sup>	2 <sup>-4</sup>	2 <sup>-5</sup>	2 <sup>-6</sup>	2 <sup>-7</sup>	2 <sup>-8</sup>	2 <sup>-9</sup>	2 <sup>-10</sup>	ANG_RNG_MULT_MSB					

Mechanical angular range 0000h = 0° to 3FFh = 180° – 1 LSB.

$$CLAMP\_SW\_ANGLE = \frac{1}{2} \times \left( 1 + \frac{CLAMP\_HI - CLAMP\_LO}{8192} \times \frac{I}{ANG\_RNG\_MULT} \right) \quad (12)$$

If the magnetic field angle is larger than the CLAMP\_SW\_ANGLE, the output switches to CLAMP\_LO for a positive slope. The value of CLAMP\_SW\_ANGLE can be calculated from other EEPROM constants but must be programmed.

## 14. Electromagnetic compatibility

EMC is verified in an independent and certified test laboratory.

### 14.1 Emission (CISPR 25)

Tests according to CISPR 25 were fulfilled.

#### 14.1.1 Conducted radio disturbance

Test of the device according to CISPR 25, third edition (2008-03), Chapter 6.2.

Class: 5.

#### 14.1.2 Radiated radio disturbance

Test of the device according to CISPR 25, third edition (2008-03), Chapter 6.4.

Class: 5 (without addition of 6 dB in FM band).

### 14.2 Radiated disturbances (ISO 11452-1 third edition (2005-02), ISO 11452-2, ISO 11452-4 and ISO 11452-5)

The common understanding of the requested function is that an effect is tolerated as described in [Table 24](#) during the disturbance. The reachable values are setup dependent and may differ from the final application.

**Table 24. Failure condition for radiated disturbances**

Parameter	Comment	Min	Max	Unit
Variation of output signal in analog output mode	value measured relative to the output at test start	-	±0.9	%V <sub>DD</sub>

#### 14.2.1 Absorber lined shielded enclosure

Tests according to ISO 11452-2, second edition (2004-11), were fulfilled.

Test levels:

200 V/m; 200 MHz to 400 MHz (step 10 MHz)

200 V/m; 400 MHz to 1000 MHz (step 25 MHz)

200 V/m; 1 GHz to 10 GHz (step 100 MHz)

State: A.

### 14.2.2 Bulk-current injection

Tests according to ISO 11452-4, third edition (2005-04), were fulfilled.

Test level: 200 mA with  $C_L = 1$  nF.

State: A.

### 14.2.3 Strip line

Tests according to ISO 11452-5, second edition (2002-04), were fulfilled.

Test level: 200 V/m with  $C_L = 1$  nF; extended up to 1 GHz.

State: A.

### 14.2.4 Immunity against mobile phones

Tests according to ISO 11452-2, second edition (2004-11), were fulfilled.

State: A.

Definition of Global System for Mobile Communications (GSM) signal:

- Pulse modulation: per GSM specification (217 Hz; 12.5 % duty cycle)
- Modulation grade:  $\geq 60$  dB
- Sweep: linear 800 MHz to 3 GHz (duration 10 s at 890 MHz, 940 MHz and 1.8 GHz band)
- Antenna polarization: vertical, horizontal
- Field strength: 200 V/m during on-time [calibration in Continuous Wave (CW)]

In deviation of ISO 11452-2 a GSM signal (definition see above) instead of an AM signal was used.

## 14.3 Electrical transient transmission by capacitive coupling [ISO 7637-3, first edition (1995-07)]

The common understanding of the requested function is that an effect is tolerated as described in [Table 25](#) during the disturbance.

**Table 25. Failure condition for electrical transient transmission**

Parameter	Comment	Min	Max	Unit
Variation of output signal in analog output mode	value measured relative to the output at test start	-	$\pm 0.9$	$\%V_{DD}$

Tests according to ISO 7637-3 were fulfilled.

Severity level: IV (for pulse 3a and 3b).

Class: B for pulse 3a, B for pulse 3b.

## 15. ElectroStatic Discharge (ESD)

To raise immunity against ESD pulses, protection diodes are implemented into the KMA199.

### 15.1 Human body model

The KMA199 must not be damaged at 8 kV, according to the human body model at 100 pF and 1.5 kΩ. The test is according to AEC-Q100-002, CLASS H3A. This protection is ensured at all external pins (OUT/DATA, V<sub>DD</sub> and GND).

Furthermore all interconnects (pins between package head and package body) must not be damaged at 2 kV, according to AEC-Q100-002, CLASS H2.

### 15.2 Machine model

The KMA199 must not be damaged at 400 V, according to the machine model. The test is according to AEC-Q100-003, CLASS M4. This protection is ensured at all external pins (OUT/DATA, V<sub>DD</sub> and GND).

Furthermore all interconnects (pins between package head and package body) must not be damaged at 200 V, according to AEC-Q100-003, CLASS M3.

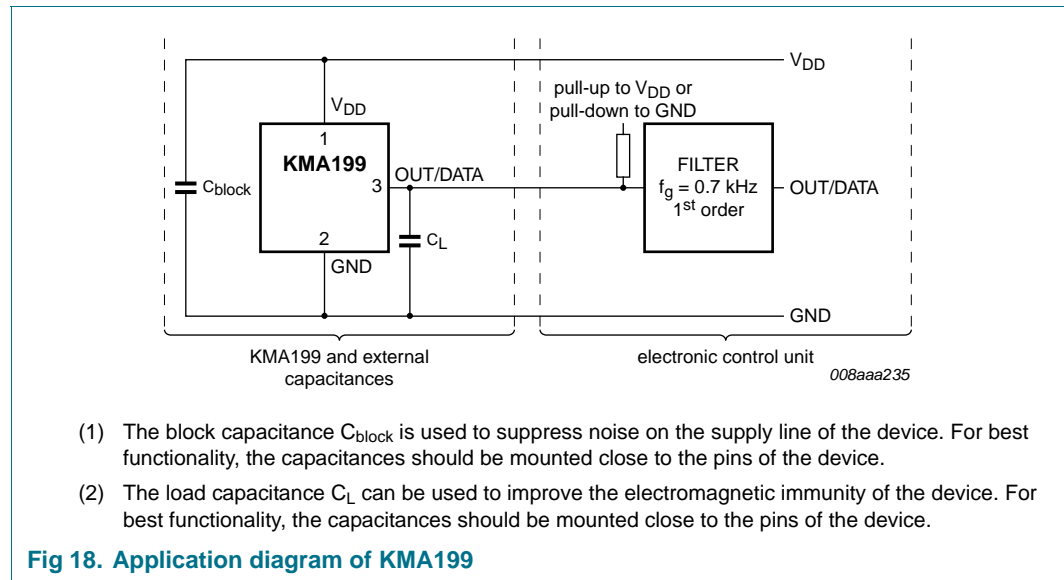
All pins have a latch-up protection.

### 15.3 Charged-device model

The KMA199 must not be damaged at 750 V, according to the charged-device model. The test is according to AEC-Q100-011, CLASS C3B. This protection is ensured at all external pins (OUT/DATA, V<sub>DD</sub> and GND).

Furthermore all interconnects (pins between package head and package body) must not be damaged at 500 V, according to AEC-Q100-011, CLASS C3B.

## 16. Application information

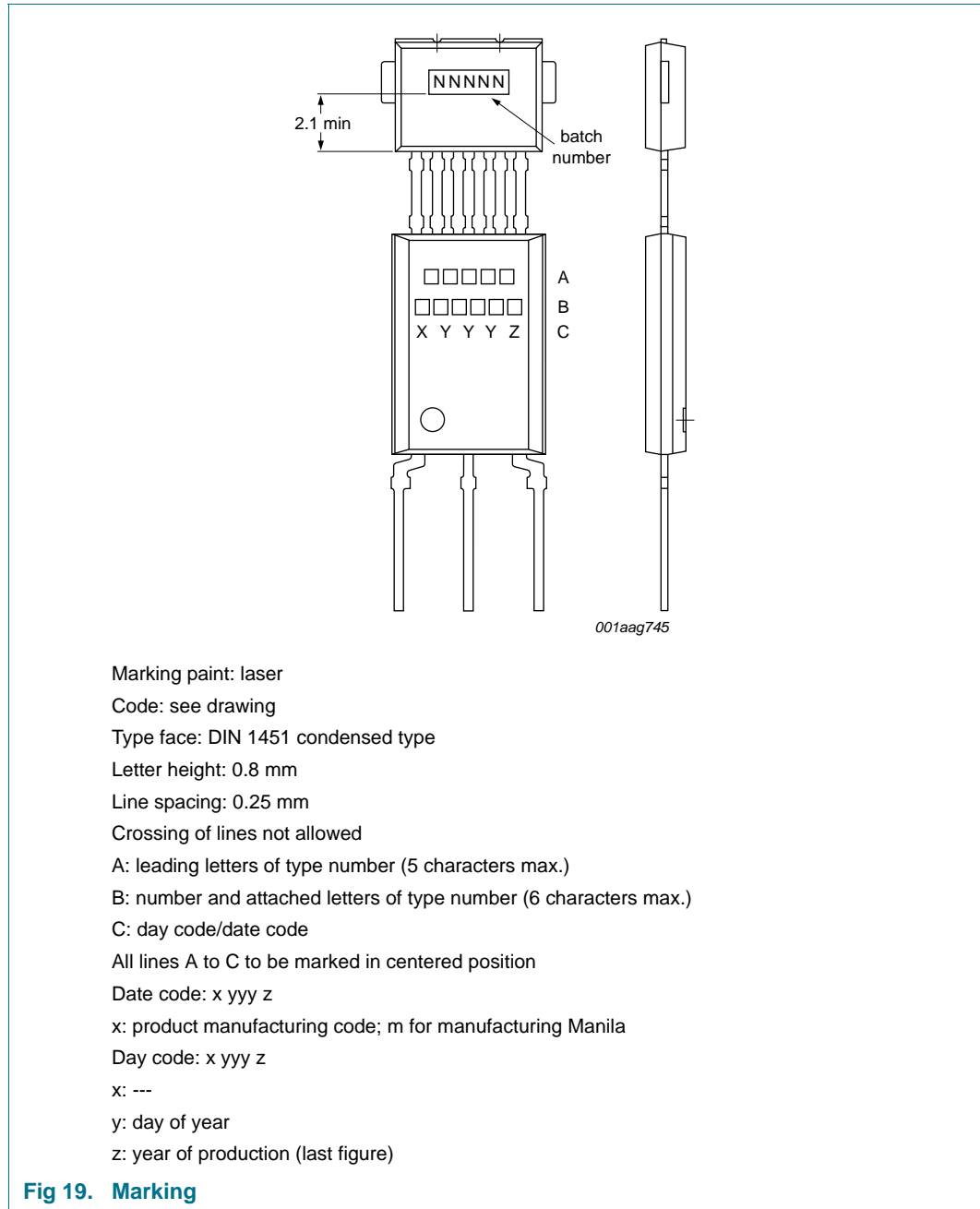


## 17. Test information

### 17.1 Quality information

This product has been qualified in accordance with the Automotive Electronics Council (AEC) standard *Q100 - Failure mechanism based stress test qualification for integrated circuits*, and is suitable for use in automotive applications.

## 18. Marking



## 19. Terminals

Lead frame material: CuZr with 99.9 % Cu and 0.1 % Zr

Lead finish: matt tin; thickness 7  $\mu\text{m}$  to 11  $\mu\text{m}$

20. Package outline

Plastic single-ended multi-chip package; 6 interconnections; 3 in-line leads

SOT880

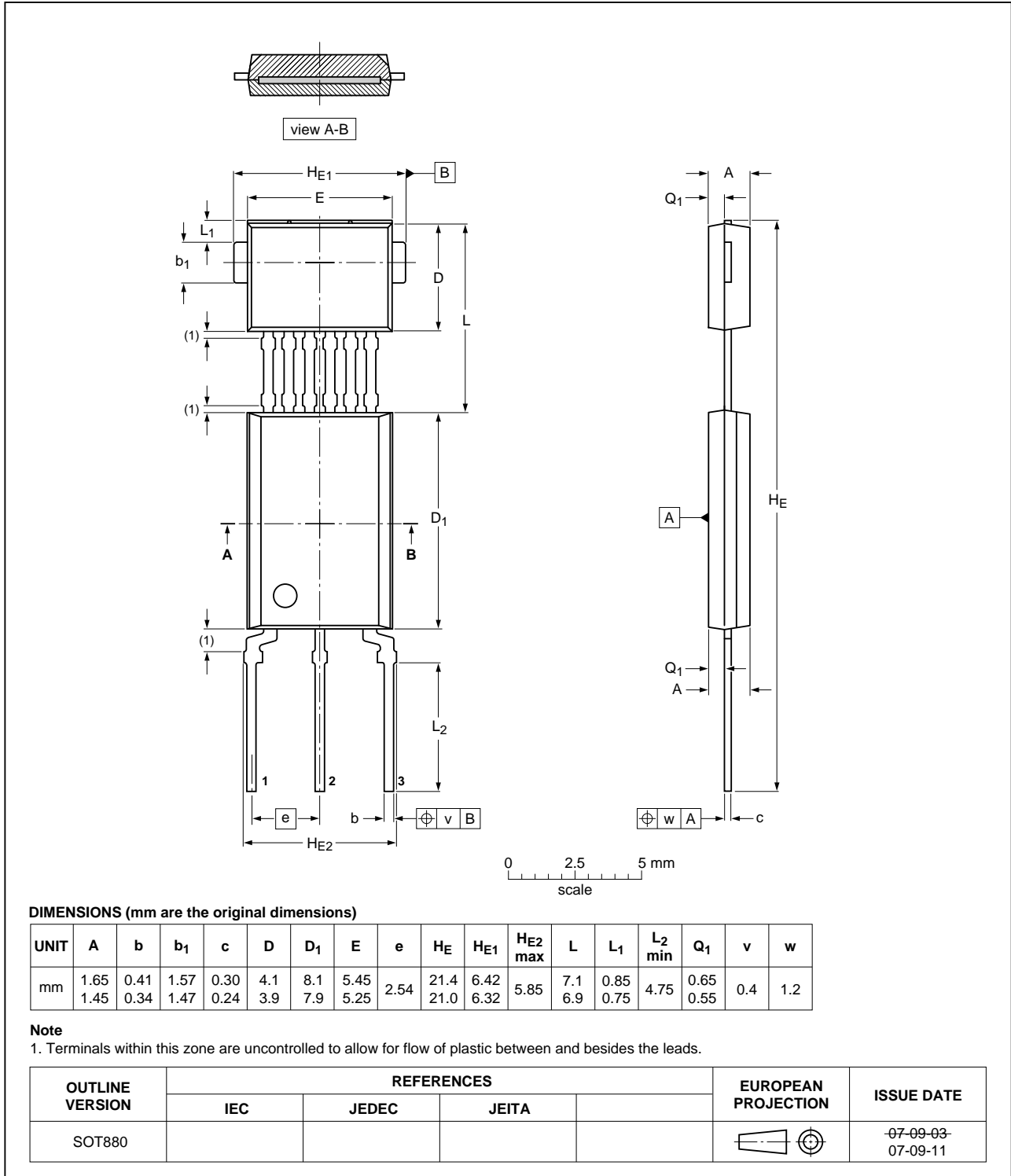
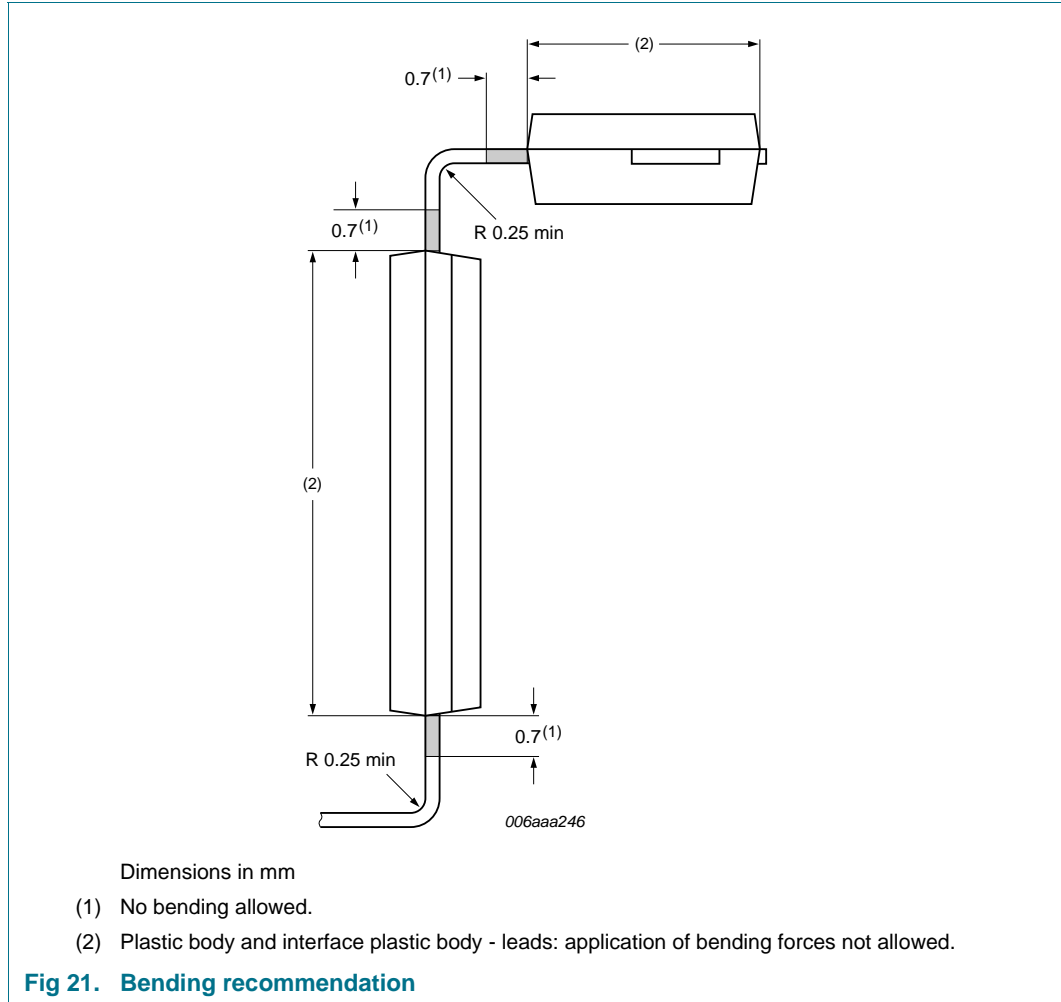


Fig 20. Package outline SOT880



## 21. Handling information



## 22. Solderability information

The solderability qualification is done according to AEC-Q100, Rev-F. Recommended soldering process for leaded devices is wave soldering. The maximum soldering temperature is 260 °C for maximum 5 s. Device terminals shall be compatible with laser and electrical welding.

## 23. Revision history

Table 26. Revision history

Document ID	Release date	Data sheet status	Change notice	Supersedes
KMA199 v.2	20111207	Product data sheet	PCN 201106032F01	KMA199 v.1
Modifications:	<ul style="list-style-type: none"> <li>Section 19 "Terminals": Lead finish dimensions changed</li> </ul>			
KMA199 v.1	20100426	Product data sheet	-	-

## 24. Legal information

### 24.1 Data sheet status

Document status <sup>[1][2]</sup>	Product status <sup>[3]</sup>	Definition
Objective [short] data sheet	Development	This document contains data from the objective specification for product development.
Preliminary [short] data sheet	Qualification	This document contains data from the preliminary specification.
Product [short] data sheet	Production	This document contains the product specification.

[1] Please consult the most recently issued document before initiating or completing a design.

[2] The term 'short data sheet' is explained in section "Definitions".

[3] The product status of device(s) described in this document may have changed since this document was published and may differ in case of multiple devices. The latest product status information is available on the Internet at URL <http://www.nxp.com>.

### 24.2 Definitions

**Draft** — The document is a draft version only. The content is still under internal review and subject to formal approval, which may result in modifications or additions. NXP Semiconductors does not give any representations or warranties as to the accuracy or completeness of information included herein and shall have no liability for the consequences of use of such information.

**Short data sheet** — A short data sheet is an extract from a full data sheet with the same product type number(s) and title. A short data sheet is intended for quick reference only and should not be relied upon to contain detailed and full information. For detailed and full information see the relevant full data sheet, which is available on request via the local NXP Semiconductors sales office. In case of any inconsistency or conflict with the short data sheet, the full data sheet shall prevail.

**Product specification** — The information and data provided in a Product data sheet shall define the specification of the product as agreed between NXP Semiconductors and its customer, unless NXP Semiconductors and customer have explicitly agreed otherwise in writing. In no event however, shall an agreement be valid in which the NXP Semiconductors product is deemed to offer functions and qualities beyond those described in the Product data sheet.

### 24.3 Disclaimers

**Limited warranty and liability** — Information in this document is believed to be accurate and reliable. However, NXP Semiconductors does not give any representations or warranties, expressed or implied, as to the accuracy or completeness of such information and shall have no liability for the consequences of use of such information.

In no event shall NXP Semiconductors be liable for any indirect, incidental, punitive, special or consequential damages (including - without limitation - lost profits, lost savings, business interruption, costs related to the removal or replacement of any products or rework charges) whether or not such damages are based on tort (including negligence), warranty, breach of contract or any other legal theory.

Notwithstanding any damages that customer might incur for any reason whatsoever, NXP Semiconductors' aggregate and cumulative liability towards customer for the products described herein shall be limited in accordance with the *Terms and conditions of commercial sale* of NXP Semiconductors.

**Right to make changes** — NXP Semiconductors reserves the right to make changes to information published in this document, including without limitation specifications and product descriptions, at any time and without notice. This document supersedes and replaces all information supplied prior to the publication hereof.

**Suitability for use in automotive applications** — This NXP Semiconductors product has been qualified for use in automotive applications. Unless otherwise agreed in writing, the product is not designed,

authorized or warranted to be suitable for use in life support, life-critical or safety-critical systems or equipment, nor in applications where failure or malfunction of an NXP Semiconductors product can reasonably be expected to result in personal injury, death or severe property or environmental damage. NXP Semiconductors accepts no liability for inclusion and/or use of NXP Semiconductors products in such equipment or applications and therefore such inclusion and/or use is at the customer's own risk.

**Applications** — Applications that are described herein for any of these products are for illustrative purposes only. NXP Semiconductors makes no representation or warranty that such applications will be suitable for the specified use without further testing or modification.

Customers are responsible for the design and operation of their applications and products using NXP Semiconductors products, and NXP Semiconductors accepts no liability for any assistance with applications or customer product design. It is customer's sole responsibility to determine whether the NXP Semiconductors product is suitable and fit for the customer's applications and products planned, as well as for the planned application and use of customer's third party customer(s). Customers should provide appropriate design and operating safeguards to minimize the risks associated with their applications and products.

NXP Semiconductors does not accept any liability related to any default, damage, costs or problem which is based on any weakness or default in the customer's applications or products, or the application or use by customer's third party customer(s). Customer is responsible for doing all necessary testing for the customer's applications and products using NXP Semiconductors products in order to avoid a default of the applications and the products or of the application or use by customer's third party customer(s). NXP does not accept any liability in this respect.

**Limiting values** — Stress above one or more limiting values (as defined in the Absolute Maximum Ratings System of IEC 60134) will cause permanent damage to the device. Limiting values are stress ratings only and (proper) operation of the device at these or any other conditions above those given in the Recommended operating conditions section (if present) or the Characteristics sections of this document is not warranted. Constant or repeated exposure to limiting values will permanently and irreversibly affect the quality and reliability of the device.

**Terms and conditions of commercial sale** — NXP Semiconductors products are sold subject to the general terms and conditions of commercial sale, as published at <http://www.nxp.com/profile/terms>, unless otherwise agreed in a valid written individual agreement. In case an individual agreement is concluded only the terms and conditions of the respective agreement shall apply. NXP Semiconductors hereby expressly objects to applying the customer's general terms and conditions with regard to the purchase of NXP Semiconductors products by customer.

**No offer to sell or license** — Nothing in this document may be interpreted or construed as an offer to sell products that is open for acceptance or the grant, conveyance or implication of any license under any copyrights, patents or other industrial or intellectual property rights.

**Export control** — This document as well as the item(s) described herein may be subject to export control regulations. Export might require a prior authorization from competent authorities.

## 24.4 Trademarks

Notice: All referenced brands, product names, service names and trademarks are the property of their respective owners.

## 25. Contact information

---

For more information, please visit: <http://www.nxp.com>

For sales office addresses, please send an email to: [salesaddresses@nxp.com](mailto:salesaddresses@nxp.com)

26. Contents

<b>1</b>	<b>Product profile</b> . . . . .	<b>1</b>	14.2.2	Bulk-current injection . . . . .	28
1.1	General description . . . . .	1	14.2.3	Strip line . . . . .	28
1.2	Features and benefits . . . . .	1	14.2.4	Immunity against mobile phones . . . . .	28
<b>2</b>	<b>Pinning information</b> . . . . .	<b>2</b>	14.3	Electrical transient transmission by capacitive coupling [ISO 7637-3, first edition (1995-07)] . . . . .	28
<b>3</b>	<b>Ordering information</b> . . . . .	<b>2</b>	<b>15</b>	<b>ElectroStatic Discharge (ESD)</b> . . . . .	<b>29</b>
<b>4</b>	<b>Functional diagram</b> . . . . .	<b>3</b>	15.1	Human body model . . . . .	29
<b>5</b>	<b>Functional description</b> . . . . .	<b>4</b>	15.2	Machine model . . . . .	29
5.1	Angular measurement directions . . . . .	4	15.3	Charged-device model . . . . .	29
<b>6</b>	<b>Analog output</b> . . . . .	<b>5</b>	<b>16</b>	<b>Application information</b> . . . . .	<b>30</b>
<b>7</b>	<b>Diagnostic features</b> . . . . .	<b>6</b>	<b>17</b>	<b>Test information</b> . . . . .	<b>30</b>
7.1	EEPROM CRC and EDC supervision . . . . .	6	17.1	Quality information . . . . .	30
7.2	Magnet-loss detection . . . . .	6	<b>18</b>	<b>Marking</b> . . . . .	<b>31</b>
7.3	Power-loss detection . . . . .	6	<b>19</b>	<b>Terminals</b> . . . . .	<b>31</b>
7.4	Low supply voltage detection . . . . .	7	<b>20</b>	<b>Package outline</b> . . . . .	<b>32</b>
<b>8</b>	<b>Limiting values</b> . . . . .	<b>8</b>	<b>21</b>	<b>Handling information</b> . . . . .	<b>33</b>
<b>9</b>	<b>Recommended operating conditions</b> . . . . .	<b>8</b>	<b>22</b>	<b>Solderability information</b> . . . . .	<b>33</b>
<b>10</b>	<b>Thermal characteristics</b> . . . . .	<b>8</b>	<b>23</b>	<b>Revision history</b> . . . . .	<b>33</b>
<b>11</b>	<b>Characteristics</b> . . . . .	<b>9</b>	<b>24</b>	<b>Legal information</b> . . . . .	<b>34</b>
<b>12</b>	<b>Definition of errors</b> . . . . .	<b>12</b>	24.1	Data sheet status . . . . .	34
12.1	General . . . . .	12	24.2	Definitions . . . . .	34
12.2	Hysteresis error . . . . .	13	24.3	Disclaimers . . . . .	34
12.3	Linearity error . . . . .	13	24.4	Trademarks . . . . .	35
12.4	Microlinearity error . . . . .	14	<b>25</b>	<b>Contact information</b> . . . . .	<b>35</b>
12.5	Temperature drift error . . . . .	14	<b>26</b>	<b>Contents</b> . . . . .	<b>36</b>
12.6	Angular error . . . . .	15			
<b>13</b>	<b>Programming</b> . . . . .	<b>16</b>			
13.1	General description . . . . .	16			
13.2	Timing characteristics . . . . .	17			
13.3	Sending and receiving data . . . . .	18			
13.3.1	Write access . . . . .	19			
13.3.2	Read access . . . . .	20			
13.3.3	Entering the command mode . . . . .	21			
13.4	Cyclic redundancy check . . . . .	21			
13.4.1	Software example in C . . . . .	22			
13.5	Registers . . . . .	23			
13.5.1	Command registers . . . . .	23			
13.5.2	EEPROM registers . . . . .	24			
<b>14</b>	<b>Electromagnetic compatibility</b> . . . . .	<b>27</b>			
14.1	Emission (CISPR 25) . . . . .	27			
14.1.1	Conducted radio disturbance . . . . .	27			
14.1.2	Radiated radio disturbance . . . . .	27			
14.2	Radiated disturbances (ISO 11452-1 third edition (2005-02), ISO 11452-2, ISO 11452-4 and ISO 11452-5) . . . . .	27			
14.2.1	Absorber lined shielded enclosure . . . . .	27			

Please be aware that important notices concerning this document and the product(s) described herein, have been included in section 'Legal information'.

© NXP B.V. 2011. All rights reserved.

For more information, please visit: <http://www.nxp.com>  
 For sales office addresses, please send an email to: [salesaddresses@nxp.com](mailto:salesaddresses@nxp.com)

Date of release: 7 December 2011  
 Document identifier: KMA199