

TDA3661

Very low dropout voltage/quiescent current adjustable voltage regulator

Rev. 05 — 28 June 2005

Product data sheet

1. General description

The TDA3661 is an adjustable voltage regulator with very low dropout voltage and quiescent current, which operates over a wide supply voltage range.

2. Features

- Output adjustable from 1.5 V to V_P , 100 mA regulator
- Supply voltage range up to 45 V
- Very low quiescent current of 15 μ A (typical value)
- Very low dropout voltage
- Protections:
 - ◆ Reverse polarity safe (down to -25 V without high reverse current)
 - ◆ Negative transient of 50 V ($R_S = 10 \Omega$, $t < 100$ ms)
 - ◆ Able to withstand voltages up to 18 V at the output (supply line may be short-circuited)
 - ◆ ESD protection on all pins
 - ◆ DC short-circuit safe to ground and V_P of the regulator output
 - ◆ Temperature protection (at $T_j > 150$ °C)

3. Quick reference data

Table 1: Quick reference data

$T_{amb} = 25$ °C; unless otherwise specified.

Symbol	Parameter	Conditions	Min	Typ	Max	Unit
Supply						
V_P	supply voltage	regulator on	3	14.4	45	V
I_q	quiescent supply current	$V_P = 14.4$ V; $I_{REG} = 0$ mA	-	15	30	μ A
Regulator; $k = 4.01929$ [1]						
V_{REG}	output voltage	8 V $\leq V_P \leq 22$ V; $I_{REG} = 0.5$ mA	4.8	5.0	5.2	V
		6 V $\leq V_P \leq 45$ V; $I_{REG} = 0.5$ mA	4.75	5.0	5.25	V
		0.5 mA $\leq I_{REG} \leq 100$ mA	4.75	5.0	5.25	V
V_{ref}	reference voltage	$V_P = 14.4$ V	1.181	1.244	1.306	V
$V_{REG(drop)}$	dropout voltage	$V_P = 4.5$ V; $I_{REG} = 50$ mA; $T_{amb} \leq 85$ °C	-	0.18	0.3	V

[1] $V_{REG} = V_{ref} \times k$

PHILIPS

4. Ordering information

Table 2: Ordering information

Type number	Package		Version
	Name	Description	
TDA3661AT	SO8	plastic small outline package; 8 leads; body width 3.9 mm	SOT96-1

5. Block diagram

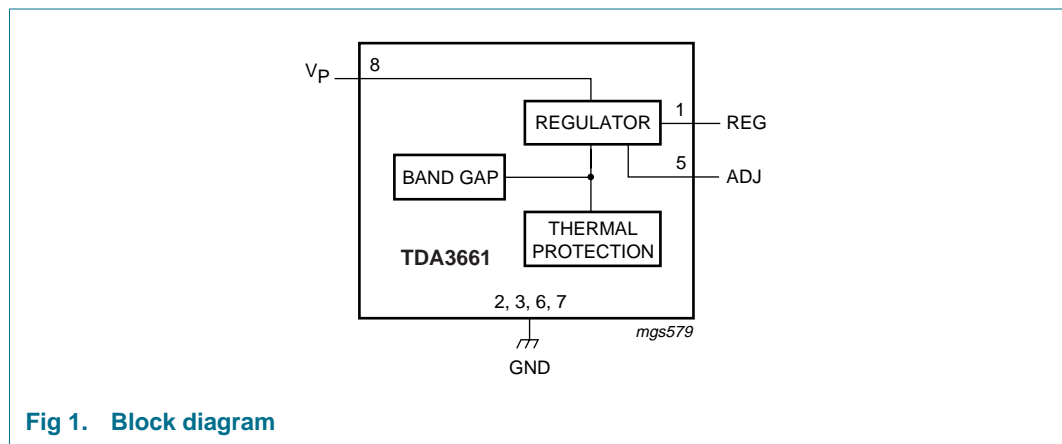


Fig 1. Block diagram

6. Pinning information

6.1 Pinning

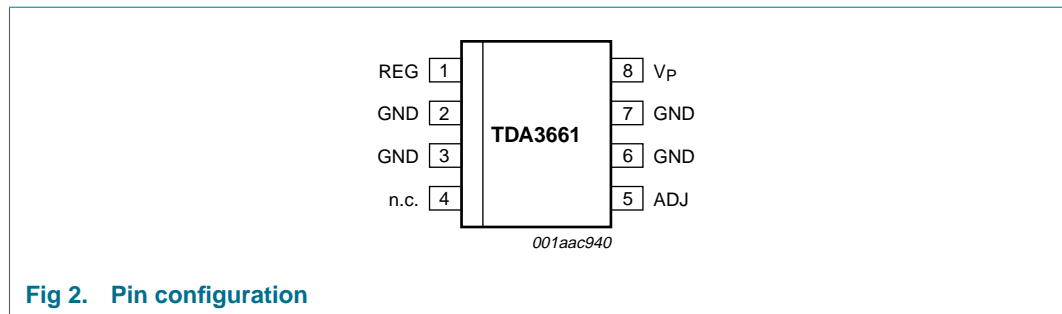


Fig 2. Pin configuration

6.2 Pin description

Table 3: Pin description

Symbol	Pin	Description
REG	1	regulator output
GND	2, 3, 6 and 7	ground [1]
n.c.	4	not connected
ADJ	5	feedback input
V _P	8	supply voltage

[1] All GND pins are connected to the lead frame and can also be used to reduce the total thermal resistance $R_{th(j-a)}$ by soldering these pins to a ground plane. The ground plane on the top side of the printed-circuit board acts like a heat spreader.

7. Functional description

The TDA3661 is an adjustable voltage regulator with an output voltage that can be fixed by means of an external resistor divider. The regulator can deliver output currents up to 100 mA. The regulator is available in an SO8 package. The regulator is intended for portable, mains and telephone applications. To increase the lifetime of batteries, a specially built-in clamp circuit keeps the quiescent current of this regulator very low, in dropout and full load conditions.

The device remains operational down to very low supply voltages (typical 2 V) and below this voltage it switches off. A temperature protection is included which switches off the regulator output at a junction temperature above 150 °C.

8. Limiting values

Table 4: Limiting values

In accordance with the Absolute Maximum Rating System (IEC 60134).

Symbol	Parameter	Conditions	Min	Max	Unit
V _P	supply voltage		-	45	V
V _{P(rp)}	reverse polarity supply voltage	non-operating	-	-25	V
P _{tot}	total power dissipation	temperature of copper area is 25 °C	-	4.1	W
T _{stg}	storage temperature	non-operating	-55	+150	°C
T _{amb}	ambient temperature	operating	-40	+125	°C
T _j	junction temperature	operating	-40	+150	°C

9. Thermal characteristics

Table 5: Thermal characteristics

Symbol	Parameter	Conditions	Typ	Unit
R _{th(j-c)}	thermal resistance from junction to case	to center pins; soldered	30	K/W
R _{th(j-a)}	thermal resistance from junction to ambient	in free air; soldered	155	K/W

10. Characteristics

Table 6: Characteristics
 $V_P = 14.4\text{ V}$; $T_{amb} = 25\text{ °C}$; $k = 4.01929$ ^[1]; measured with test circuit of [Figure 15](#); unless otherwise specified.

Symbol	Parameter	Conditions	Min	Typ	Max	Unit
Supply voltage: pin V_P						
V _P	supply voltage	regulator operating	^[2] 3	14.4	45	V
I _q	quiescent supply current	V _P = 4.5 V; I _{REG} = 0 mA	-	10	30	μA
		V _P = 14.4 V; I _{REG} = 0 mA	-	15	30	μA
		6 V ≤ V _P ≤ 24 V; I _{REG} = 10 mA	-	0.2	0.5	mA
		6 V ≤ V _P ≤ 24 V; I _{REG} = 50 mA	-	1.4	2.5	mA
Regulator output: pin REG						
V _{REG}	output voltage	8 V ≤ V _P ≤ 22 V; I _{REG} = 0.5 mA	4.8	5.0	5.2	V
		0.5 mA ≤ I _{REG} ≤ 100 mA	4.75	5.0	5.25	V
		6 V ≤ V _P ≤ 45 V; I _{REG} = 0.5 mA	4.75	5.0	5.25	V
V _{REG(drop)}	dropout voltage	V _P = 4.5 V; T _{amb} ≤ 85 °C; I _{REG} = 50 mA	-	0.18	0.3	V
V _{REG(stab)}	output voltage long-term stability	per 1000 h	-	20	-	mV
V _{REG(adj)}	output voltage adjustment range		1.5	-	V _P	V
ΔV _{REG(line)}	line input regulation voltage	7 V ≤ V _P ≤ 22 V; I _{REG} = 0.5 mA	-	1	30	mV
		7 V ≤ V _P ≤ 45 V; I _{REG} = 0.5 mA	-	1	50	mV
ΔV _{REG(load)}	load output regulation voltage	0.5 mA ≤ I _{REG} ≤ 50 mA	-	10	50	mV
SVRR	supply voltage ripple rejection	f _i = 120 Hz; V _{i(ripple)} = 1 V (RMS); I _{REG} = 0.5 mA	50	60	-	dB
V _{ref}	reference voltage	V _P = 14.4 V	1.181	1.244	1.306	V
I _{REG(crl)}	output current limit	V _{REG} > 4 V	0.17	0.3	-	A
I _{LO(rp)}	output leakage current at reverse polarity	V _P = -15 V; V _{REG} = ≤ 0.3 V	-	1	500	μA

[1] The output voltage can be calculated using the following formula: $V_{REG} = V_{ref} \times k$ where $k = \frac{R1 + R2}{R2}$ and $R1 + R2 \leq 100\text{ k}\Omega$

[2] The regulator output will follow V_P if V_P < V_{REG} + V_{REG(drop)}

11. Application information

11.1 Noise

The output noise is determined by the value of the output capacitor. The noise figure is measured at a bandwidth of 10 Hz to 100 kHz; see [Table 7](#).

Table 7: Noise figures

Output current I _{REG} (mA)	Noise figure (μV)		
	C2 = 10 μF	C2 = 47 μF	C2 = 100 μF
0.5	550	320	300
50	650	400	400

11.2 Stability

The regulator is stabilized with an external capacitor connected to the output.

For stable operation:

1. The output capacitor ESR should not exceed 22 Ω (worst case)
2. A maximum ESR may be required; see [Table 8](#)
3. It is recommended not to use below 1 mA output current because of reduced phase margin
4. Use electrolytic capacitors for output capacitor values of 1 μF and above.

Table 8: Minimum ESR values required

I_{REG} (mA)	C2 = 100 nF	C2 = 1 μF	C2 = 10 μF	C2 = 100 μF
1	> 0 Ω	> 1.5 Ω	> 0 Ω	> 0 Ω
5	> 0 Ω	> 0 Ω	> 0 Ω	> 0 Ω
10	> 0 Ω	> 0 Ω	> 0 Ω	> 0 Ω
100	> 0 Ω	> 0 Ω	> 0 Ω	> 0 Ω

11.3 Application circuits

The maximum output current of the regulator equals:

$$I_{REG(max)} = \frac{150 - T_{amb}}{R_{th(j-a)} \times (V_P - V_{REG})} = \frac{150 - T_{amb}}{100 \times (V_P - 5)} (mA)$$

When $T_{amb} = 21$ °C, $V_P = 14$ V and $V_{REG} = 5$ V ($k = 4.01929$) the maximum output current equals 140 mA.

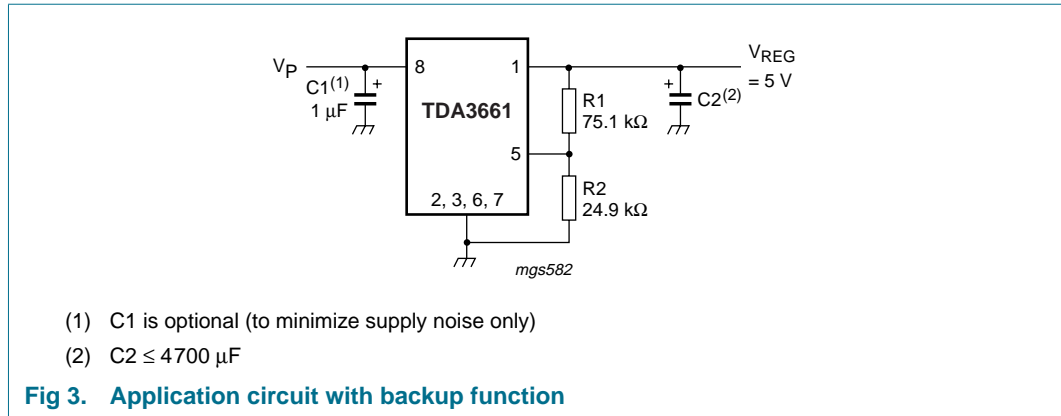
For successful operation of the IC (maximum output current capability) special attention has to be given to the copper area required as heatsink (connected to all GND pins), the thermal capacity of the heatsink and its ability to transfer heat to the external environment. It is possible to reduce the total thermal resistance from 155 K/W to 50 K/W.

11.3.1 Application circuit with backup function

Sometimes, a backup function is needed to supply, for example, a microcontroller for a short period of time when the supply voltage spikes to 0 V (or even -1 V).

This function can easily be built with the TDA3661 by using an output capacitor with a large value. When the supply voltage is 0 V (or -1 V), only a small current will flow into pin REG from this output capacitor (a few μA).

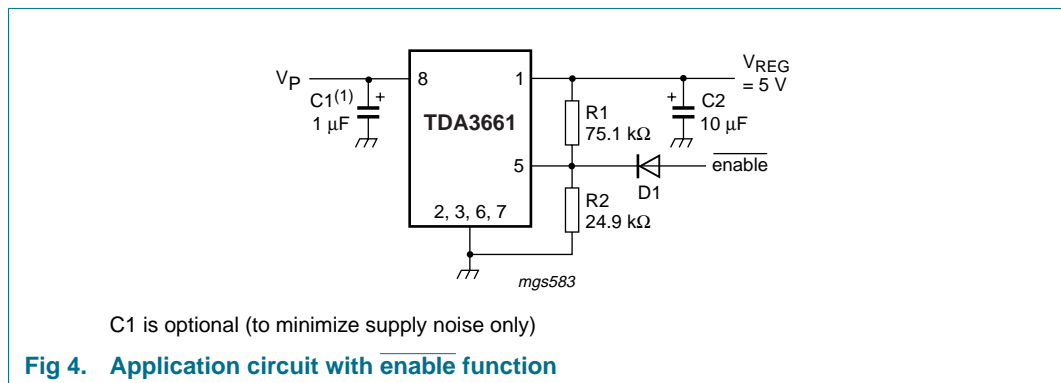
The application circuit is given in [Figure 3](#).



11.3.2 Application circuit with enable function

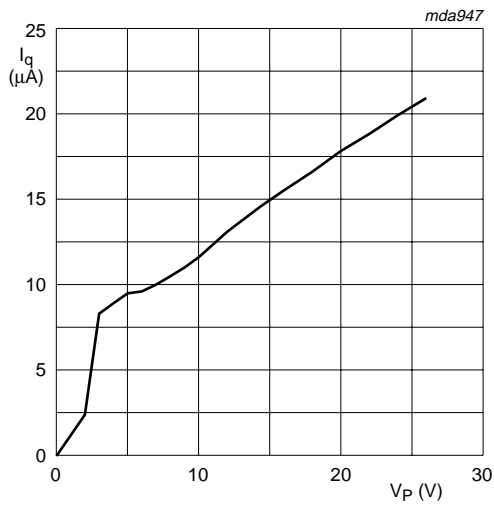
An enable function can easily be built with the TDA3661 by connecting a diode to pin ADJ. When the voltage on pin ADJ is forced above 1.3 V, the output will switch off. The standby current is equal to the quiescent current of the TDA3661.

The application circuit is given in [Figure 4](#).



11.4 Additional application information

This section gives typical curves for various parameters measured on the TDA3661AT. Standard test conditions are: $V_P = 14.4 \text{ V}$, $T_{\text{amb}} = 25 \text{ }^\circ\text{C}$ and $k = 4.01929$.



$I_{REG} = 0 \text{ mA}$.

Fig 5. Quiescent current as a function of the supply voltage

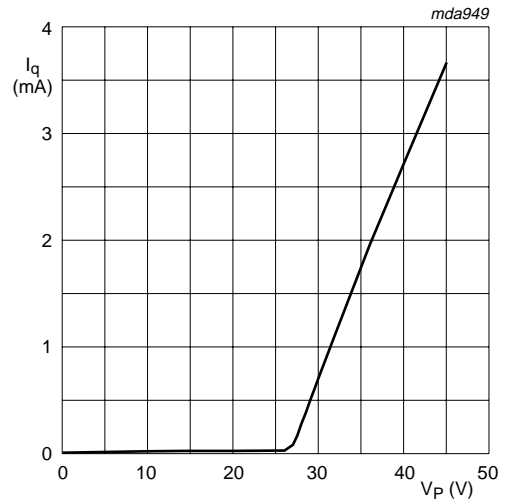
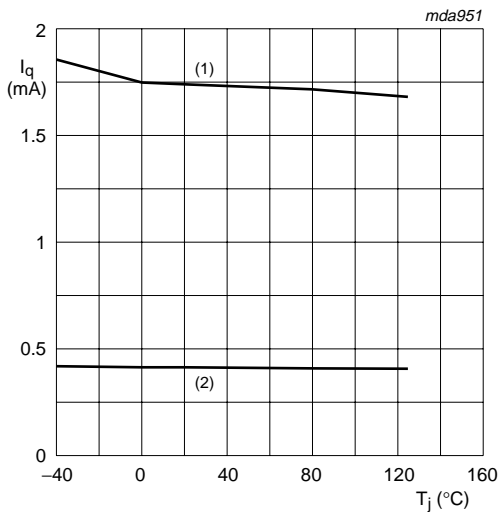
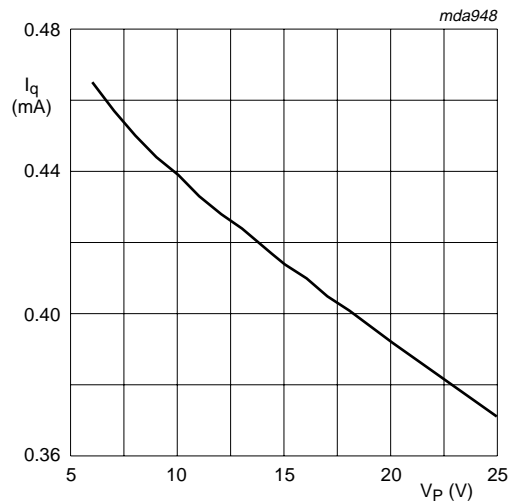


Fig 6. Quiescent current increase as a function of high supply voltage



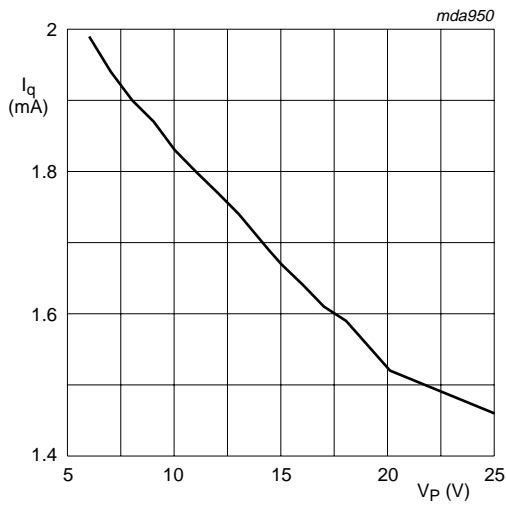
- (1) I_q at 50 mA load.
- (2) I_q at 10 mA load.

Fig 7. Quiescent current as a function of the junction temperature



$I_{REG} = 10 \text{ mA}$.

Fig 8. Quiescent current as a function of the supply voltage



I_{REG} = 50 mA.

Fig 9. Quiescent current as a function of the supply voltage

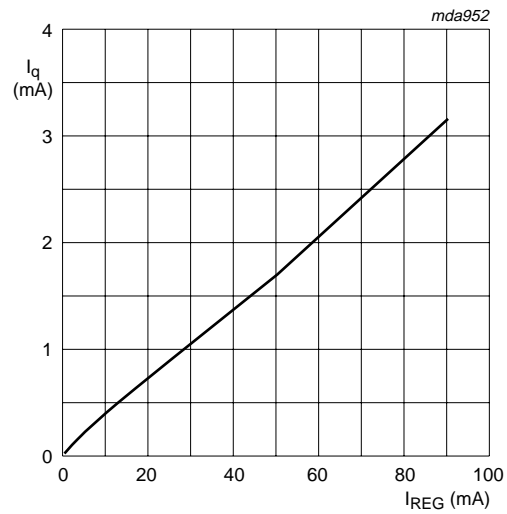
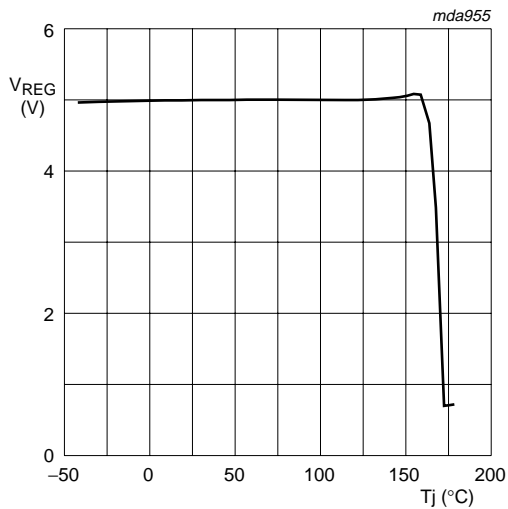
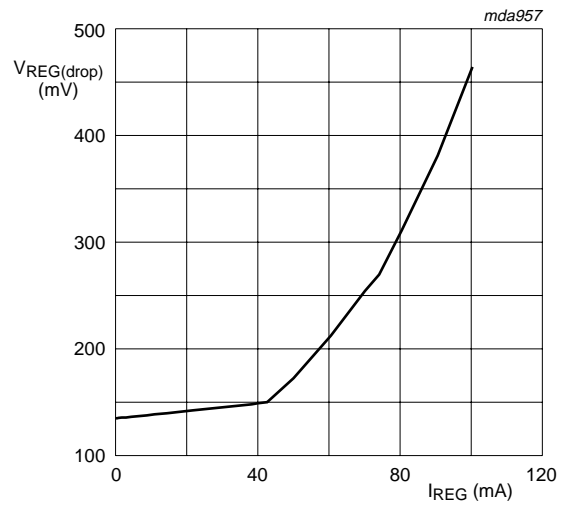


Fig 10. Quiescent current as a function of the output current



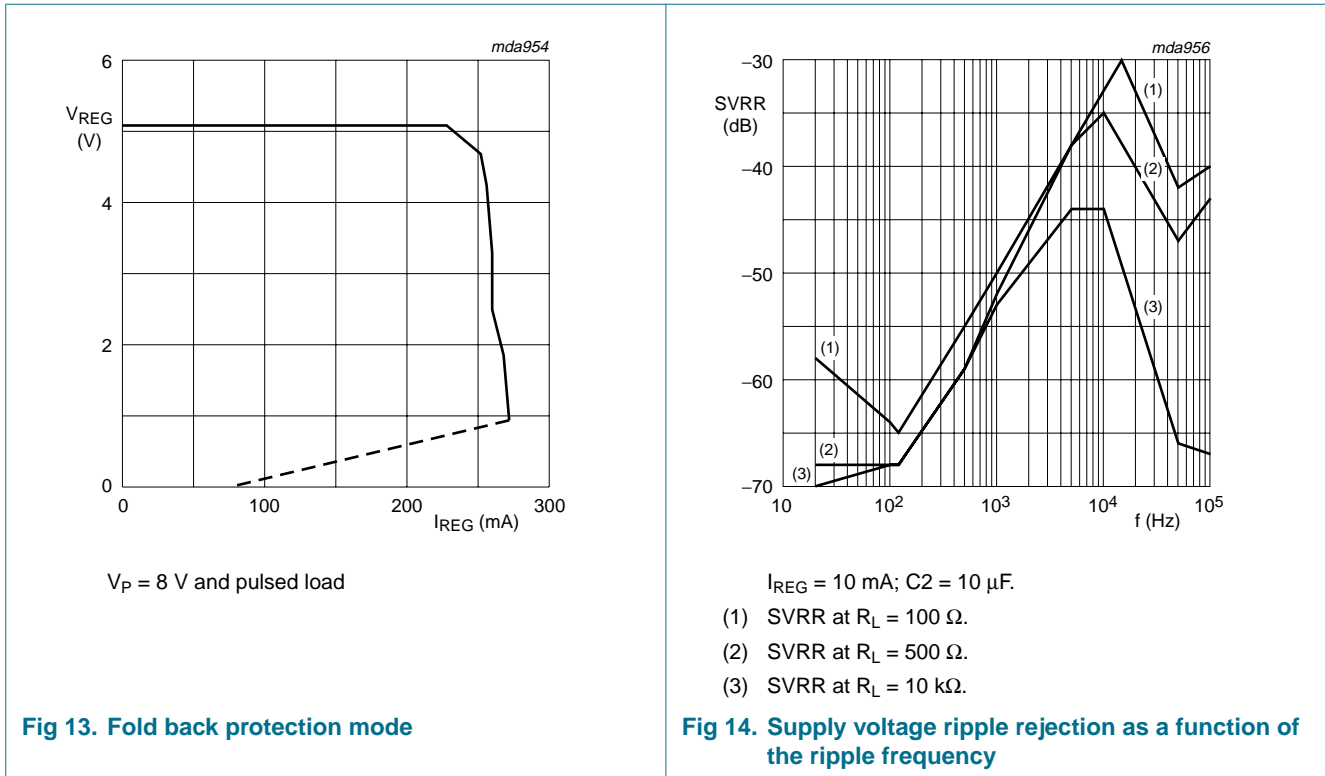
I_{REG} = 0 mA.

Fig 11. Output voltage thermal protection as a function of the junction temperature



I_{REG} = 0 mA.

Fig 12. Dropout voltage as a function of the output current

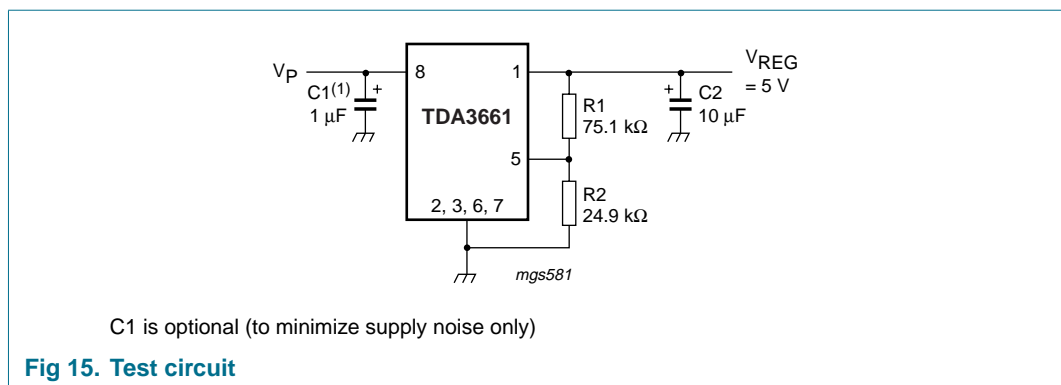


12. Test information

12.1 Quality information

The *General Quality Specification for Integrated Circuits, SNW-FQ-611* is applicable.

12.2 Test circuit



13. Package outline

SO8: plastic small outline package; 8 leads; body width 3.9 mm

SOT96-1



Fig 16. Package outline SOT96-1 (SO8)

14. Soldering

14.1 Introduction to soldering surface mount packages

This text gives a very brief insight to a complex technology. A more in-depth account of soldering ICs can be found in our *Data Handbook IC26; Integrated Circuit Packages* (document order number 9398 652 90011).

There is no soldering method that is ideal for all surface mount IC packages. Wave soldering can still be used for certain surface mount ICs, but it is not suitable for fine pitch SMDs. In these situations reflow soldering is recommended.

14.2 Reflow soldering

Reflow soldering requires solder paste (a suspension of fine solder particles, flux and binding agent) to be applied to the printed-circuit board by screen printing, stencilling or pressure-syringe dispensing before package placement. Driven by legislation and environmental forces the worldwide use of lead-free solder pastes is increasing.

Several methods exist for reflowing; for example, convection or convection/infrared heating in a conveyor type oven. Throughput times (preheating, soldering and cooling) vary between 100 seconds and 200 seconds depending on heating method.

Typical reflow peak temperatures range from 215 °C to 270 °C depending on solder paste material. The top-surface temperature of the packages should preferably be kept:

- below 225 °C (SnPb process) or below 245 °C (Pb-free process)
 - for all BGA, HTSSON..T and SSOP..T packages
 - for packages with a thickness ≥ 2.5 mm
 - for packages with a thickness < 2.5 mm and a volume ≥ 350 mm³ so called thick/large packages.
- below 240 °C (SnPb process) or below 260 °C (Pb-free process) for packages with a thickness < 2.5 mm and a volume < 350 mm³ so called small/thin packages.

Moisture sensitivity precautions, as indicated on packing, must be respected at all times.

14.3 Wave soldering

Conventional single wave soldering is not recommended for surface mount devices (SMDs) or printed-circuit boards with a high component density, as solder bridging and non-wetting can present major problems.

To overcome these problems the double-wave soldering method was specifically developed.

If wave soldering is used the following conditions must be observed for optimal results:

- Use a double-wave soldering method comprising a turbulent wave with high upward pressure followed by a smooth laminar wave.
- For packages with leads on two sides and a pitch (e):
 - larger than or equal to 1.27 mm, the footprint longitudinal axis is **preferred** to be parallel to the transport direction of the printed-circuit board;

- smaller than 1.27 mm, the footprint longitudinal axis **must** be parallel to the transport direction of the printed-circuit board.

The footprint must incorporate solder thieves at the downstream end.

- For packages with leads on four sides, the footprint must be placed at a 45° angle to the transport direction of the printed-circuit board. The footprint must incorporate solder thieves downstream and at the side corners.

During placement and before soldering, the package must be fixed with a droplet of adhesive. The adhesive can be applied by screen printing, pin transfer or syringe dispensing. The package can be soldered after the adhesive is cured.

Typical dwell time of the leads in the wave ranges from 3 seconds to 4 seconds at 250 °C or 265 °C, depending on solder material applied, SnPb or Pb-free respectively.

A mildly-activated flux will eliminate the need for removal of corrosive residues in most applications.

14.4 Manual soldering

Fix the component by first soldering two diagonally-opposite end leads. Use a low voltage (24 V or less) soldering iron applied to the flat part of the lead. Contact time must be limited to 10 seconds at up to 300 °C.

When using a dedicated tool, all other leads can be soldered in one operation within 2 seconds to 5 seconds between 270 °C and 320 °C.

14.5 Package related soldering information

Table 9: Suitability of surface mount IC packages for wave and reflow soldering methods

Package [1]	Soldering method	
	Wave	Reflow [2]
BGA, HTSSON..T [3], LBGA, LFBGA, SQFP, SSOP..T [3], TFBGA, VFBGA, XSON	not suitable	suitable
DHVQFN, HBCC, HBGA, HLQFP, HSO, HSOP, HSQFP, HSSON, HTQFP, HTSSOP, HVQFN, HVSON, SMS	not suitable [4]	suitable
PLCC [5], SO, SOJ	suitable	suitable
LQFP, QFP, TQFP	not recommended [5] [6]	suitable
SSOP, TSSOP, VSO, VSSOP	not recommended [7]	suitable
CWQCCN..L [8], PMFP [9], WQCCN..L [8]	not suitable	not suitable

[1] For more detailed information on the BGA packages refer to the *(LF)BGA Application Note (AN01026)*; order a copy from your Philips Semiconductors sales office.

[2] All surface mount (SMD) packages are moisture sensitive. Depending upon the moisture content, the maximum temperature (with respect to time) and body size of the package, there is a risk that internal or external package cracks may occur due to vaporization of the moisture in them (the so called popcorn effect). For details, refer to the Drypack information in the *Data Handbook IC26; Integrated Circuit Packages; Section: Packing Methods*.

[3] These transparent plastic packages are extremely sensitive to reflow soldering conditions and must on no account be processed through more than one soldering cycle or subjected to infrared reflow soldering with peak temperature exceeding 217 °C ± 10 °C measured in the atmosphere of the reflow oven. The package body peak temperature must be kept as low as possible.

- [4] These packages are not suitable for wave soldering. On versions with the heatsink on the bottom side, the solder cannot penetrate between the printed-circuit board and the heatsink. On versions with the heatsink on the top side, the solder might be deposited on the heatsink surface.
- [5] If wave soldering is considered, then the package must be placed at a 45° angle to the solder wave direction. The package footprint must incorporate solder thieves downstream and at the side corners.
- [6] Wave soldering is suitable for LQFP, QFP and TQFP packages with a pitch (e) larger than 0.8 mm; it is definitely not suitable for packages with a pitch (e) equal to or smaller than 0.65 mm.
- [7] Wave soldering is suitable for SSOP, TSSOP, VSO and VSSOP packages with a pitch (e) equal to or larger than 0.65 mm; it is definitely not suitable for packages with a pitch (e) equal to or smaller than 0.5 mm.
- [8] Image sensor packages in principle should not be soldered. They are mounted in sockets or delivered pre-mounted on flex foil. However, the image sensor package can be mounted by the client on a flex foil by using a hot bar soldering process. The appropriate soldering profile can be provided on request.
- [9] Hot bar soldering or manual soldering is suitable for PMFP packages.

15. Revision history

Table 10: Revision history

Document ID	Release date	Data sheet status	Change notice	Doc. number	Supersedes
TDA3661_5	20050628	Product data sheet	-	9397 750 15049	TDA3661_4
Modifications:	<ul style="list-style-type: none"> The format of this data sheet has been redesigned to comply with the new presentation and information standard of Philips Semiconductors. Paragraph removed from Section 7 Figure 3, Figure 4 and Figure 13 removed from the previous version 				
TDA3661_4	20001213	Product specification	-	9397 750 07864	TDA3661_3
TDA3661_3	20001208	Preliminary specification	-	9397 750 07554	TDA3661_2
TDA3661_2	20000201	Preliminary specification	-	9397 750 06797	TDA3661_1
TDA3661_1	19990920	Preliminary specification	-	9397 750 06067	-

16. Data sheet status

Level	Data sheet status ^[1]	Product status ^{[2] [3]}	Definition
I	Objective data	Development	This data sheet contains data from the objective specification for product development. Philips Semiconductors reserves the right to change the specification in any manner without notice.
II	Preliminary data	Qualification	This data sheet contains data from the preliminary specification. Supplementary data will be published at a later date. Philips Semiconductors reserves the right to change the specification without notice, in order to improve the design and supply the best possible product.
III	Product data	Production	This data sheet contains data from the product specification. Philips Semiconductors reserves the right to make changes at any time in order to improve the design, manufacturing and supply. Relevant changes will be communicated via a Customer Product/Process Change Notification (CPCN).

[1] Please consult the most recently issued data sheet before initiating or completing a design.

[2] The product status of the device(s) described in this data sheet may have changed since this data sheet was published. The latest information is available on the Internet at URL <http://www.semiconductors.philips.com>.

[3] For data sheets describing multiple type numbers, the highest-level product status determines the data sheet status.

17. Definitions

Short-form specification — The data in a short-form specification is extracted from a full data sheet with the same type number and title. For detailed information see the relevant data sheet or data handbook.

Limiting values definition — Limiting values given are in accordance with the Absolute Maximum Rating System (IEC 60134). Stress above one or more of the limiting values may cause permanent damage to the device. These are stress ratings only and operation of the device at these or at any other conditions above those given in the Characteristics sections of the specification is not implied. Exposure to limiting values for extended periods may affect device reliability.

Application information — Applications that are described herein for any of these products are for illustrative purposes only. Philips Semiconductors make no representation or warranty that such applications will be suitable for the specified use without further testing or modification.

18. Disclaimers

Life support — These products are not designed for use in life support appliances, devices, or systems where malfunction of these products can reasonably be expected to result in personal injury. Philips Semiconductors

20. Contact information

For additional information, please visit: <http://www.semiconductors.philips.com>

For sales office addresses, send an email to: sales.addresses@www.semiconductors.philips.com

customers using or selling these products for use in such applications do so at their own risk and agree to fully indemnify Philips Semiconductors for any damages resulting from such application.

Right to make changes — Philips Semiconductors reserves the right to make changes in the products - including circuits, standard cells, and/or software - described or contained herein in order to improve design and/or performance. When the product is in full production (status 'Production'), relevant changes will be communicated via a Customer Product/Process Change Notification (CPCN). Philips Semiconductors assumes no responsibility or liability for the use of any of these products, conveys no license or title under any patent, copyright, or mask work right to these products, and makes no representations or warranties that these products are free from patent, copyright, or mask work right infringement, unless otherwise specified.

19. Trademarks

Notice — All referenced brands, product names, service names and trademarks are the property of their respective owners.

21. Contents

1	General description	1
2	Features	1
3	Quick reference data	1
4	Ordering information	2
5	Block diagram	2
6	Pinning information	2
6.1	Pinning	2
6.2	Pin description	3
7	Functional description	3
8	Limiting values	3
9	Thermal characteristics	3
10	Characteristics	4
11	Application information	4
11.1	Noise	4
11.2	Stability	5
11.3	Application circuits	5
11.3.1	Application circuit with backup function	5
11.3.2	Application circuit with enable function	6
11.4	Additional application information	6
12	Test information	9
12.1	Quality information	9
12.2	Test circuit	9
13	Package outline	10
14	Soldering	11
14.1	Introduction to soldering surface mount packages	11
14.2	Reflow soldering	11
14.3	Wave soldering	11
14.4	Manual soldering	12
14.5	Package related soldering information	12
15	Revision history	14
16	Data sheet status	15
17	Definitions	15
18	Disclaimers	15
19	Trademarks	15
20	Contact information	15



© Koninklijke Philips Electronics N.V. 2005

All rights are reserved. Reproduction in whole or in part is prohibited without the prior written consent of the copyright owner. The information presented in this document does not form part of any quotation or contract, is believed to be accurate and reliable and may be changed without notice. No liability will be accepted by the publisher for any consequence of its use. Publication thereof does not convey nor imply any license under patent- or other industrial or intellectual property rights.

Date of release: 28 June 2005
Document number: 9397 750 15049

Published in The Netherlands