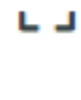
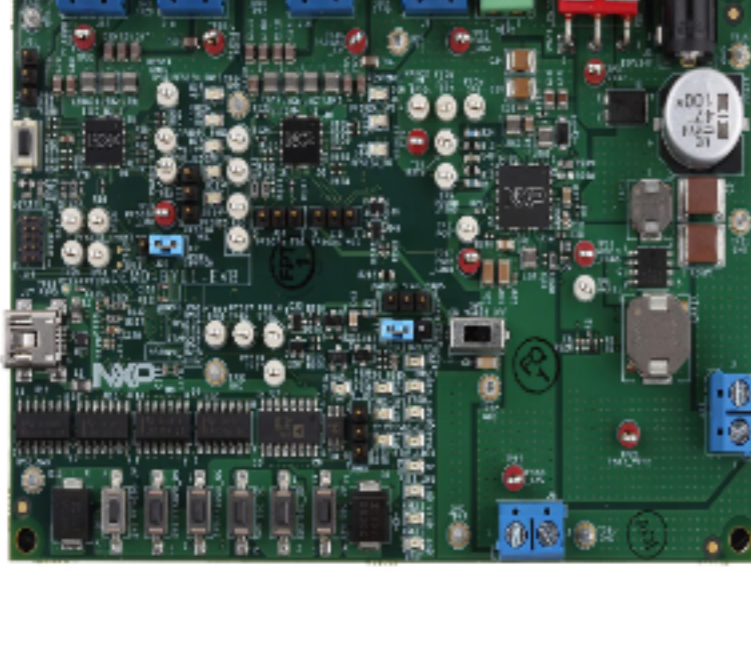


BYLink Multiprocessor Demo Board

DEMO-BYL1-EVB NEW [Receive alerts](#)

- [Overview](#)
- [Product Details](#)
- [Design Resources](#)
- [Training](#)
- [Support](#)
- [BUY OPTIONS](#)
- [GET STARTED](#)



The DEMO-BYL1-EVB is a demonstrator design to illustrate the BYLink concept power management solution proposed by NXP for ADAS and multiprocessor automotive applications. The solution integrates NXP PMIC such as FS8500, PF5024 and PF5020 as a single power solution for a camera application involving a safety MCU and a processing MCU.

The DEMO-BYL1-EVB kit provides full access to all the features of each PMIC device, such as OTP configuration, power sequencing and safety features. The demonstrator kit comes with a USB cable used as a communication interface between computer and BYLink concept to have control on the full PMIC solution.

Roll over image to zoom in



DESIGN FILES

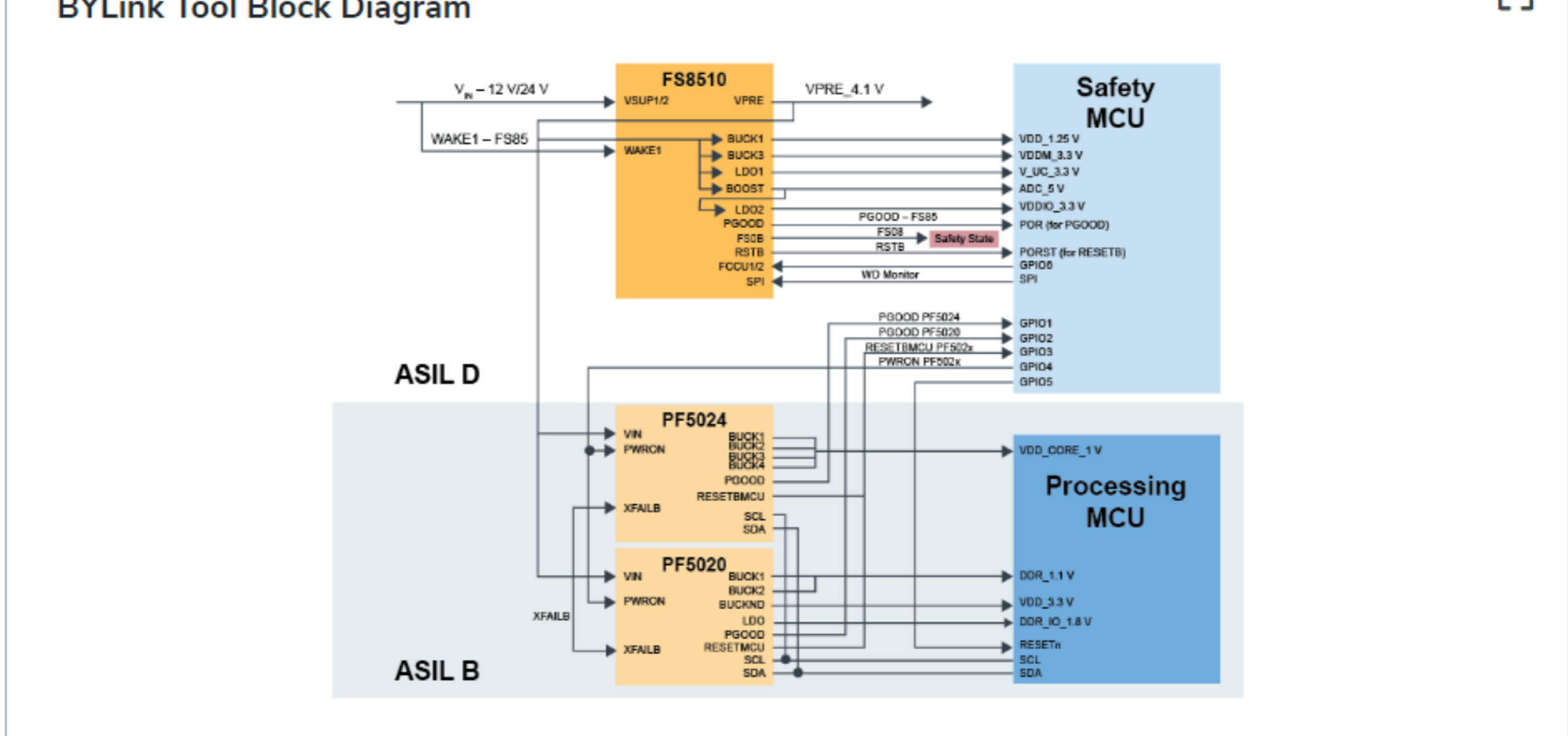
SOFTWARE

Product Details

Select a section:

- [Block Diagram](#)
- [Supported Devices](#)
- [Features](#)

Block Diagram



[GET DIAGRAM PDF](#)

Supported Devices

Power Management

- PMICs**
 - PF5020:** Multi-Channel (5) PMIC for Automotive Applications – 4 High Power and 1 Low Power, Fit for ASIL B Safety Level
 - PF5024:** Multi-Channel (4) PMIC for Automotive Applications – 4 High Power, Fit for ASIL B Safety Level

Safety SBCs

- FS8400:** Safety System Basis Chip for S32 Microcontrollers, Fit for ASIL B
- FS8500:** Safety System Basis Chip for S32 Microcontrollers, Fit for ASIL D

Features

Topology

- BYLink concept including:
 - FS8500 device
 - PF5024 device
 - PF5020 device

Features

- OTP emulation
- Power sequencing
- Safety and fault management

Interfaces

- USB com between PC to demo kit
- I2C communication to PMIC devices

Buy Options

[Click to expand](#)

DEMO-BYL1-EVB
BYLink Multiprocessor Demo Board .

Kit contains

- Assembled and tested evaluation board in an anti-static bag
- 3.0 ft USB-STD A to USB-B mini cable
- Jumpers mounted on board
- Quick start guide

\$280.00 USD
For a quantity of 1

Availability: Pending stock

[BUY FROM NXP](#)

[BUY FROM DISTRIBUTOR](#)

Design Resources

Select a section:

- [Documentation](#)
- [Design Files](#)
- [Software](#)

Documentation

Quick reference to our [documentation types](#).

NXP (3)

FILTER BY

- User Guide
- User Manual

3 documents Sort by | Relevance

USER GUIDE

Getting Started with the DEMO-BYL1-EVB Evaluation Board GETTING STARTED

HTML Apr 7, 2022 GS-DEMO-BYL1-EVB English

USER GUIDE

UG10029, DEMO-BYL1-EVB Software User Guide

PDF Rev 1 Apr 1, 2022 33.9 MB UG10029 English

USER MANUAL

UM11768, BYLink Multiprocessor Demo Board - User Manual

PDF Rev 1 Apr 7, 2022 4.9 MB UM11768 English

Design Files

NXP (2)

FILTER BY

Design Tools & Files

- Printed Circuit Boards and Schematics
- Design Files - miscellaneous

2 design files Sort by | Relevance

PRINTED CIRCUIT BOARDS AND SCHEMATICS

DEMO-BYL1-EVB Schematics

PDF Rev B Jan 10, 2022 3.0 MB SPF-50882 Sign in required DOWNLOAD

DESIGN FILES - MISCELLANEOUS

DEMO-BYL1-EVB Design Files

ZIP Rev 1 Mar 15, 2022 8.9 MB DEMO-BYL1-EVB-DESIGN-FILES Sign in required DOWNLOAD

Software

NXP (1)

FILTER BY

Development Software

- Application Development Tools

1 software file Sort by | Relevance

APPLICATION DEVELOPMENT TOOLS

BYLink Multiprocessor Demo GUI

ZIP Rev 1.0 Mar 16, 2022 45.7 MB BYLink-DEMO-SOFT Sign in required DOWNLOAD

Training

NXP (1)

FILTER BY

Online

- On-Demand Webinar

1 training Sort by | Relevance

ON-DEMAND WEBINAR

BYLink System Power Platform

26 min English Level: Beginner Sign in required

Support

What do you need help with?

 SEARCH

RECOMMENDED COMMUNITIES

[Power Management](#)

SUGGESTED LINKS

[Attach-PMIC Offerings for NXP's Next-Generation Multi-Media and Safety Power](#)

[Scalable and Safe Power Management Solutions for Automotive Market](#)

[BYLink System Power Platform](#)

Related hardware you may be interested in:



FS84/FS85/FS66 12 V Safety SBC Evaluation Board for Automotive

by NXP

KITFS85FRDMEVM