

TFA9892

12 V boosted audio system with adaptive sound maximizer and speaker protection

Rev. 1.0 — 1 September 2017

Product short data sheet

1. General description

The TFA9892 is a high efficiency class-D audio amplifier with a sophisticated speaker boost and protection algorithm. It can deliver 13.2 W peak output power into an 8 Ω speaker at a supply voltage of 4.0 V. The internal boost converter raises the supply voltage to 12 V, providing ample headroom for major improvements in sound quality.

A safe working environment is provided for the speaker under all operating conditions. The TFA9892 maximizes acoustic output while ensuring diaphragm displacement and voice coil temperature do not exceed their rated limits. This function is based on a speaker box model that operates in all loudspeaker environments (e.g. free air, closed box or vented box). Furthermore, advanced signal processing ensures the quality of the audio signal is never degraded by unwanted clipping or distortion in the amplifier or speaker. An integrated Multiband Dynamic Range Compressor (MDRC) allows the speaker to operate at the highest possible power rating without suffering physical damage.

Unlike competing solutions, the adaptive sound maximizer algorithm uses feedback to accurately calculate both the temperature and the excursion, allowing the TFA9892 to adapt to changes in the acoustic environment.

Internal intelligent DC-to-DC conversion boosts the supply rail to provide additional headroom and power output. The supply voltage is only raised when necessary. This maximizes the output power of the class-D audio amplifier while limiting quiescent power consumption in combination with a Pulse Frequency Modulation (PFM) scheme.

The device can be configured to drive either a hands-free speaker (4 Ω to 8 Ω) for audio playback, or a receiver speaker (32 Ω) for handset playback, allowing it to be embedded in platforms that support either or both options. The maximum output power, gain, and noise levels are lower in the Handset Call use case than in the Hands-free Call use case.

The TFA9892 also incorporates advanced battery protection. By limiting the supply current when the battery voltage is low, it prevents the audio system from drawing excessive load currents from the battery, which could cause a system undervoltage. The advanced processor minimizes the impact of a falling battery voltage on the audio quality by preventing distortion as the battery discharges.

Because it has a digital input interface, the TFA9892 features low RF susceptibility. The second order closed loop architecture used in a class-D audio amplifier provides excellent audio performance and high supply voltage ripple rejection. The TDM/I²S audio interface provides a wide range of settings for multiple slots and Digital I/O. The settings are communicated via an I²C-bus interface.



The device also provides the speaker with robust protection against ESD damage. In a typical application, no additional components are needed to withstand a 15 kV discharge on the speaker.

The TFA9892 is available in a 49-bump WLCSP (Wafer Level Chip-Size Package) with a 400 μm pitch.

2. Features and benefits

- Output power: 6.6 W into 8 Ω at 4.0 V supply voltage (THD = 1 %)
- Wide range of speakers: 4 Ω to 8 Ω for hands-free mode and 16 Ω , 32 Ω for handset one
- Sophisticated speaker-boost and protection algorithm that maximizes speaker performance while protecting the speaker:
 - ◆ Fully embedded software, no additional license fee or porting required
 - ◆ Total integrated solution that includes DSP, ClassD amplifier, DC-to-DC converter
- Adaptive excursion control - guarantees that the speaker membrane excursion never exceeds its rated limit
- Multiband dynamic range compressor (DRC) allows independent control of up to three frequency bands
- Real-time temperature protection - direct measurement ensures that voice coil temperature never exceeds its rated limit
- Environmentally aware - automatically adapts speaker parameters to acoustic and thermal changes including compensation for speaker-box leakage
- Four TDM/I²S inputs output (I/O) to support two audio sources or one PDM input and inter-chip communications
- Speaker current and voltage monitoring via TDM for Acoustic Echo Cancellation (AEC) at the host
- Option to route TDM input direct to TDM output to allow a second TDM output slave device to be used in combination with the TFA9892
- Sample frequencies f_s from 16 kHz to 48 kHz supported in TDM/I²S mode; speaker-boost and protection algorithm sample rate up to 48 kHz.
- 3 bit clock/word select ratios supported (32x, 48x, 64x) in TDM/I²S mode
- I²C-bus control interface (400 kHz)
- 12 V DC-to-DC converter using PFM mode
- Wide supply voltage range (fully operational from 2.7 V to 5.5 V)
- Fully short-circuit proof across the load and to the supply lines
- Low RF susceptibility
- Input clock jitter insensitive interface
- Thermally protected
- 15 kV system-level ESD protection without external components
- 'Pop noise' free at all mode transitions

3. Applications

- Mobile phones
- Tablets

- Portable Navigation Devices (PND)
- Notebooks/Netbooks
- MP3 players and portable media players
- Small audio systems

4. Quick reference data

Table 1. Quick reference data

Symbol	Parameter	Conditions	Min	Typ	Max	Unit
V _{BAT}	battery supply voltage	on pin V _{BAT}	2.7	-	5.5	V
V _{DDD}	digital supply voltage	on pin V _{DDD}	1.65	1.8	1.95	V
I _{BAT}	battery supply current	on pin V _{BAT} and in DC-to-DC converter coil; Operating modes with load; DC-to-DC converter in Adaptive Boost mode (no output signal, V _{BAT} = 3.6 V, V _{DDD} = 1.8 V)	-	2.45	-	mA
		Power-down mode	-	1	5	μA
I _{DDD}	digital supply current	on pin V _{DDD} ; Operating mode; no audio stream at the input; DSP enabled; SpeakerBoost activated	-	20	-	mA
		Operating mode; no audio content; DSP bypassed	-	4.5	-	mA
		on pin V _{DDD} ; Power-down mode no external CLK or Data provided	-	15	-	μA
		on pin V _{DDD} ; Power-down mode; internal oscillator enabled; no external CLK or Data provided	-	50	-	μA
P _{O(AV)}	average output power	THD+N = 1 %; R _L = 8 Ω; V _{BAT} = 4.0 V	-	6.6	-	W

5. Ordering information

Table 2. Ordering information

Type number	Package		Version
	Name	Description	
TFA9892AUK/N1	WLCSP49	wafer level chip-scale package; 49 bumps; 3.13 × 3.63 × 0.5 mm	SOT1444-8

6. Block diagram

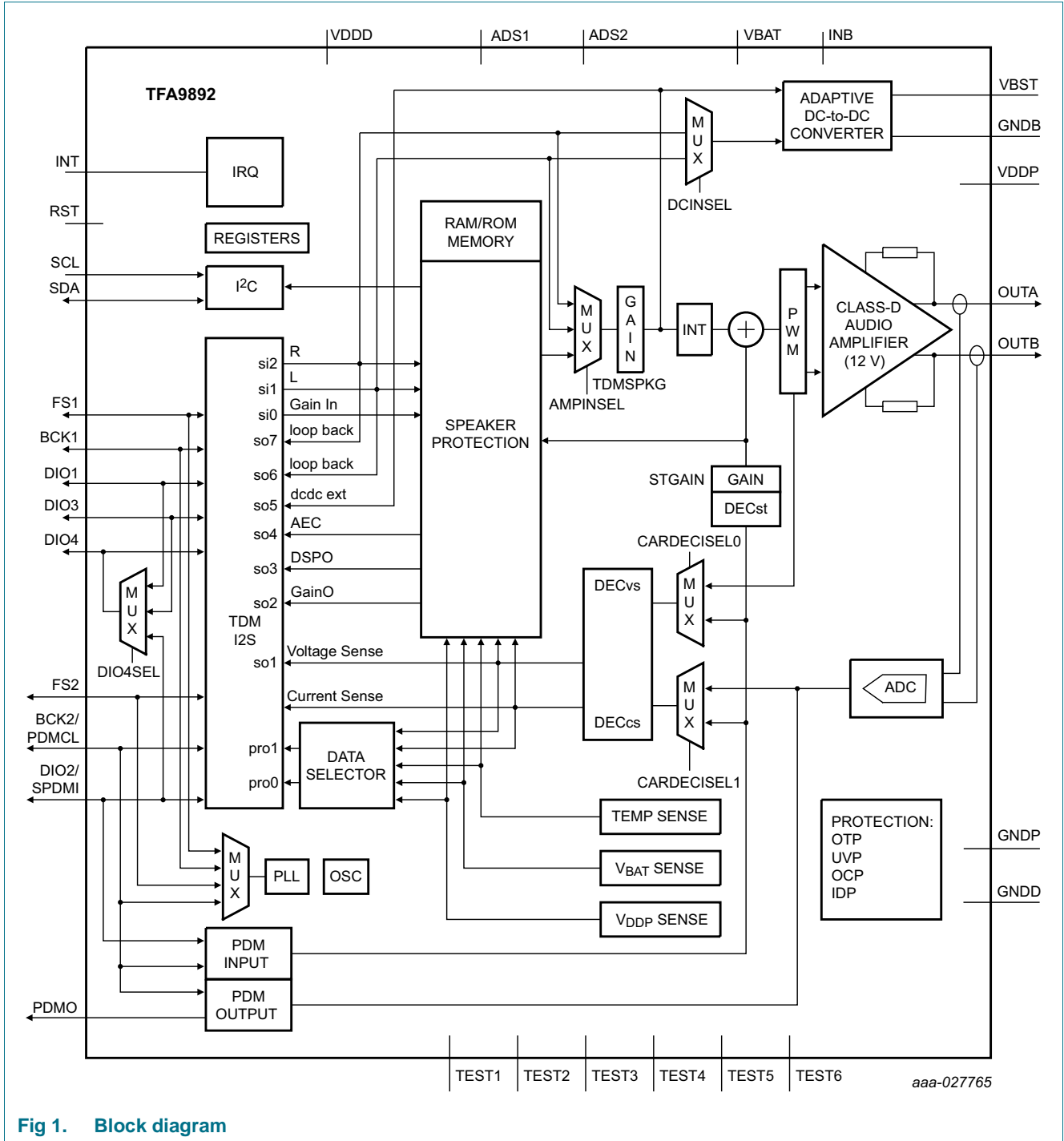
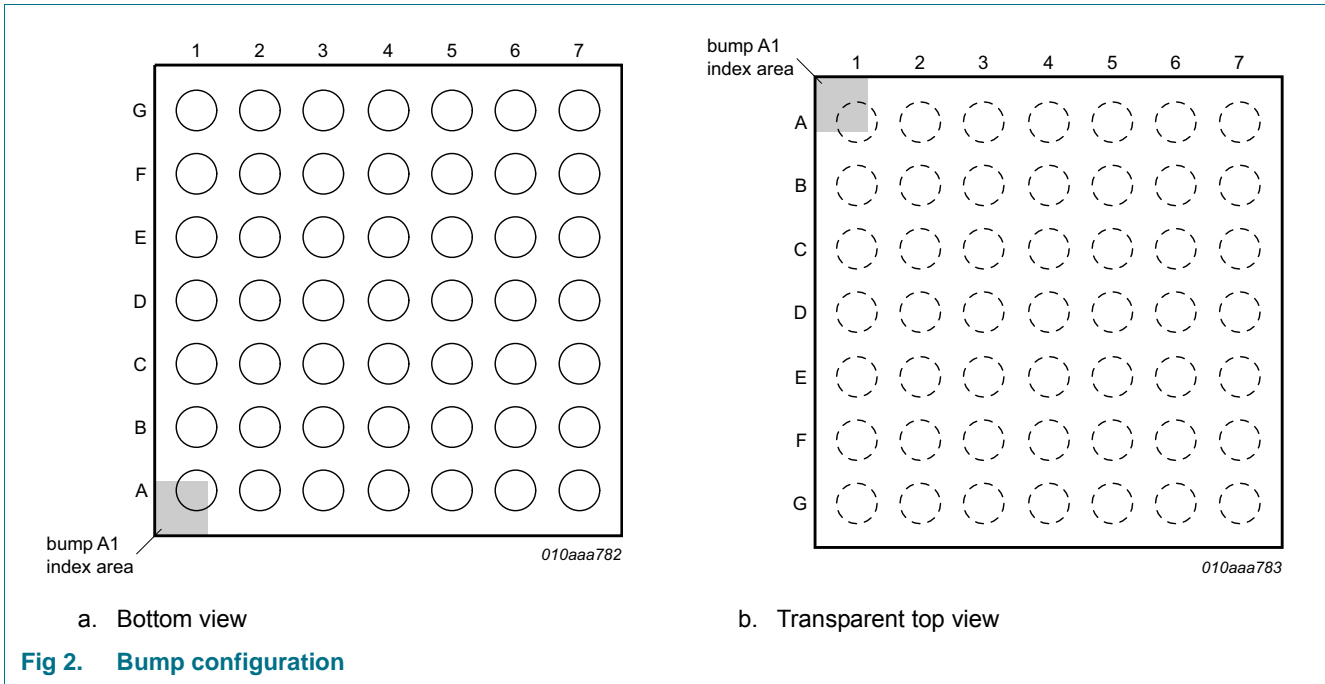


Fig 1. Block diagram

7. Pinning information

7.1 Pinning



12 V boosted audio system with adaptive sound maximizer and speaker protection

	1	2	3	4	5	6	7
A	FS1	DIO1	DIO4	INT	GNDD	OUTB	VDDP
B	BCK1	GNDD	DIO3	RST	GNDD	GNDD	VDDP
C	DIO/SPD MI	GNDD	TEST3	TEST2	GNDD	OUTA	VDDP
D	FS2	GNDD	TEST4	TEST1	GNDD	OUTA	OUTA
E	BCK2/PDM CLK	SPDMO	TEST5	TEST6	GNDB	INB	VBST
F	SDA	ADS1	ADS2	GNDD	GNDB	INB	VBST
G	SCL	VBAT	VDDD	GNDD	GNDB	INB	VBST

aaa-027680

Transparent top view

Fig 3. Bump mapping

Table 3. Pinning

Symbol	Pin	Type	Description
FS1	A1	I	digital audio Frame Sync for DIO1
DIO1	A2	I/O	digital audio interface DIO1
DIO4	A3	I/O	digital audio data in / out DIO4
INT	A4	O	interrupt output; open if unused
GNDD	A5	P	digital ground
OUTB	A6	O	inverting output
VDDP	A7	P	power supply voltage
BCK1	B1	I	digital audio bit clock DIO1
GNDD	B2	P	digital ground
DIO3	B3	I	digital audio data in/out DIO3
RST	B4	I	reset input
GNDD	B5	P	power ground
GNDD	B6	P	power ground
VDDP	B7	P	power supply voltage
DIO2/ SPDMI	C1	I/O	digital audio data in/out DIO2 / SPDM data input
GNDD	C2	P	digital ground
TEST3	C3	O	test signal input 3; for test purposes only, connect to PCB ground
TEST2	C4	O	test signal input 2; for test purposes only, connect to PCB ground
GNDD	C5	P	digital ground
OUTA	C6	O	non-inverting output
VDDP	C7	P	power supply voltage
FS2	D1	I	digital audio word select for DIO2
GNDD	D2	P	digital ground
TEST4	D3	O	test signal input 4; for test purposes only, connect to PCB ground
TEST1	D4	O	test signal input 1; for test purposes only, connect to PCB ground
GNDD	D5	P	digital ground
OUTA	D6	-	non-inverting output ^[1]
OUTA	D7	-	non-inverting output ^[1]
BCK2/ PDMCLK	E1	I	digital audio bit clock DIO2 or PDM clock input
SPDMO	E2	O	PDM output; output open if unused
TEST5	E3	O	test signal input 5; for test purposes only, connect to PCB ground
TEST6	E4	O	test signal input 6; for test purposes only, connect to PCB ground
GNDD	E5	P	boosted ground
INB	E6	P	DC-to-DC boost converter input
VBST	E7	O	boosted supply voltage output
SDA	F1	I/O	I ² C-bus data input/output
ADS1	F2	I	address select input 1
ADS2	F3	I	address select input 2
GNDD	F4	P	digital ground

Table 3. Pinning ...continued

Symbol	Pin	Type	Description
GNDB	F5	P	boosted ground
INB	F6	P	DC-to-DC boost converter input
VBST	F7	O	boosted supply voltage output
SCL	G1	I	I ² C-bus clock input
VBAT	G2	P	battery supply voltage sense input
VDDD	G3	P	digital supply voltage
GNDD	G4	P	digital ground
GNDB	G5	P	boosted ground
INB	G6	P	DC-to-DC boost converter input
VBST	G7	O	boosted supply voltage output

[1] Is used to simplify routing to OUTA

8. Functional description

The TFA9892 is a highly efficient mono Bridge Tied Load (BTL) class-D audio amplifier with a sophisticated SpeakerBoost protection algorithm. [Figure 1](#) is a block diagram of the TFA9892.

A SpeakerBoost protection algorithm, running on a CoolFlux Digital Signal Processor (DSP) core, maximizes the acoustical output of the speaker while limiting membrane excursion and voice coil temperature to a safe level. The mechanical protection implemented guarantees that speaker membrane excursion never exceeds its rated limit, to an accuracy of 10 %. Thermal protection guarantees that the voice coil temperature never exceeds its rated limit, to an accuracy of ± 10 °C. Furthermore, advanced signal processing ensures the audio quality remains acceptable at all times.

The protection algorithm implements an adaptive loudspeaker model that is used to predict the extent of membrane excursion. The model is continuously updated to ensure that the protection scheme remains effective even when speaker parameter values change or the acoustic enclosure is modified.

Output sound pressure levels are boosted within given mechanical, thermal and quality limits. An optional Bandwidth extension mode extends the low frequency response up to a predefined limit before maximizing the output level. This mode is suitable for listening to high quality music in quiet environments.

The frequency response of the TFA9892 can be modified via ten fully programmable cascaded second-order biquad filters. The first two biquads are processed with 48-bit double precision; biquads 3 to 10 are processed with 24-bit single precision.

At low battery voltage levels, the gain is automatically reduced to limit battery current. The output volume can be controlled by the SpeakerBoost protection algorithm or by the host application (external). In the latter case, the boost features of the SpeakerBoost protection algorithm must be disabled to avoid neutralizing external volume control.

The SpeakerBoost protection algorithm output is converted into two pulse width modulated (PWM) signals which are then injected into the class-D audio amplifier. The 3-level PWM scheme supports filterless speaker drive.

An adaptive DC-to-DC converter boosts the battery supply voltage in line with the output of the SpeakerBoost protection algorithm. It switches to Follower mode ($V_{BST} = V_{BAT}$; no boost) when the audio output voltage is lower than the battery voltage. Next to adaptive DC to DC a PFM mode is selected when the requested output current is low. The adaptive boost and PFM mode ensures a high efficiency ClassHD Amplifier.

It contains four TDM/I2S input/output (DIO) ports. These ports can be selected as an input or an output on demand. i.e. DIO1 and DIO2, can be selected as the audio input stream. DIO3 is provided to support stereo applications, while DIO4 can be used to provide stereo AEC as well. DIO1, DIO3 and DIO4 are clocked by FS1 and BCK1, while DIO2 is clocked by FS2 and BCK2; see [Figure 1](#)).

DIO 3, 4 can be as well configured to transmit the DSP output signal, amplifier output current and voltage information, or amplifier gain information. The gain information can be used to facilitate communication between two devices in stereo applications.

A 'pass-through' option allows one of the DIO1, 2, 3 as input to be connected directly to the DIO4 output. The pass-through option is provided to allow an output slave device (e.g. a CODEC), connected in parallel with the TFA9892, to be routed directly to the audio host via DIO4 output.

9. Limiting values

Table 4. Limiting values

In accordance with the Absolute Maximum Rating System (IEC 60134).

Symbol	Parameter	Conditions	Min	Max	Unit
V _x	voltage on pin x	on pin VBAT	-0.3	+6	V
		on pins VBST, VDDP	-0.3	+12.4	V
		on pin INB, OUTA, OUTB	-0.3	+13.4 ^[1]	V
		on pin VDDD	-0.3	+2.5	V
		on SCL, SDA, DIO1, DIO2, DIO3, DIO4	-0.3	+2.5	V
T _j	junction temperature		-40	+150	°C
T _{stg}	storage temperature		-55	+150	°C
T _{amb}	ambient temperature		-40	+85	°C
V _{ESD}	electrostatic discharge voltage	according to Human Body Model (HBM)	-2	+2	kV
		according to Charge Device Model (CDM)	-500	+500	V

[1] Using an NXP demo board with a 1 mm wire/PCB track length on pin INB, AC pulses up to 18 V and -9 V can be observed without causing any damage as these spikes only partly penetrate the device (which is protected by internal clamp circuits).

10. Thermal characteristics

Table 5. Thermal characteristics

Symbol	Parameter	Conditions	Typ	Unit
R _{th(j-a)}	thermal resistance from junction to ambient	4-layer application board	35	K/W

11. Characteristics

11.1 DC Characteristics

Table 6. DC characteristics

All parameters are guaranteed for $V_{BAT} = 3.6\text{ V}$; $V_{DDD} = 1.8\text{ V}$; $V_{DDP} = V_{BST} = 12\text{ V}$, adaptive boost mode; $L_{BST} = 1\text{ }\mu\text{H}$ ^[1]; $R_L = 8\text{ }\Omega$ ^[1]; $L_L = 40\text{ }\mu\text{H}$ ^[1]; $f_i = 1\text{ kHz}$; $f_s = 48\text{ kHz}$; $T_{amb} = 25\text{ }^\circ\text{C}$; default settings, unless otherwise specified.

Symbol	Parameter	Conditions	Min	Typ	Max	Unit
V_{BAT}	battery supply voltage	on pin VBAT	2.7	-	5.5	V
I_{BAT}	battery supply current	on pin VBAT and in DC-to-DC converter coil; Operating modes with load; DC-to-DC converter in Adaptive Boost mode (no output signal, $V_{BAT} = 3.6\text{ V}$; $V_{DDD} = 1.8\text{ V}$)	-	2.45	-	mA
		Power-down mode	-	1	5	μA
V_{DDP}	power supply voltage	on pin VDDP	2.7	-	12.2	V
V_{DDD}	digital supply voltage	on pin VDDD; Brown out detector (BOD) disabled.	^[3] 1.65	1.8	1.95	V
I_{DDD}	digital supply current	on pin VDDD; Operating mode; no audio stream at the input; DSP enabled; SpeakerBoost activated	-	20	-	mA
		Operating mode; no audio content; DSP bypassed	-	4.5	-	mA
		Power-down mode	-	15	-	μA
		Power-down mode; internal oscillator enabled	-	50	-	μA
Pins DIO1,2,3,4, BCK1, FS1, BCK2, FS2, ADS1, ADS2, SCL, SDA						
V_{IH}	HIGH-level input voltage		$0.7V_{DDD}$	-	V_{DDD}	V
V_{IL}	LOW-level input voltage		-	-	$0.3V_{DDD}$	V
C_{in}	input capacitance		^[2] -	-	3	pF
I_{LI}	input leakage current	1.8 V on input pin	-	-	0.1	μA
Pins DIO1,2,3,4, SPDMI, INT, push-pull output stages						
V_{OH}	HIGH-level output voltage	$I_{OH} = 4\text{ mA}$	-	-	$V_{DDD} - 0.4$	V
V_{OL}	LOW-level output voltage	$I_{OL} = 4\text{ mA}$	-	-	400	mV
Pins SDA, open drain outputs, external 10 kΩ resistor to V_{DDD}						
V_{OH}	HIGH-level output voltage	$I_{OH} = 4\text{ mA}$	-	-	$V_{DDD} - 0.4$	V
V_{OL}	LOW-level output voltage	$I_{OL} = 4\text{ mA}$	-	-	400	mV
Pins OUTA, OUTB						
R_{DSon}	drain-source on-state resistance	Amplifier Active, NMOS + PMOS $V_{DDP} = 12\text{ V}$	-	600	-	$\text{m}\Omega$
Protection						
$T_{act(th_prot)}$	thermal protection activation temperature		130	-	150	$^\circ\text{C}$
$V_{uvp(VBAT)}$	undervoltage protection voltage on pin VBAT		2.3	-	2.5	V

12 V boosted audio system with adaptive sound maximizer and speaker protection

Table 6. DC characteristics ...continued

All parameters are guaranteed for $V_{BAT} = 3.6\text{ V}$; $V_{DDD} = 1.8\text{ V}$; $V_{DDP} = V_{BST} = 12\text{ V}$, adaptive boost mode; $L_{BST} = 1\text{ }\mu\text{H}$ [1]; $R_L = 8\text{ }\Omega$ [1]; $L_L = 40\text{ }\mu\text{H}$ [1]; $f_i = 1\text{ kHz}$; $f_s = 48\text{ kHz}$; $T_{amb} = 25\text{ }^\circ\text{C}$; default settings, unless otherwise specified.

Symbol	Parameter	Conditions	Min	Typ	Max	Unit
$I_{O(ocp)}$	overcurrent protection output current		2	-	-	A
DC-to-DC converter						
V_{BST}	maximum voltage on pin VBST	Maximum boost voltage setting	11.8	12	12.2	V

- [1] L_{BST} = boost converter inductance; R_L = load resistance; L_L = load inductance (speaker).
- [2] This parameter is not tested during production; the value is guaranteed by design and checked during product validation.
- [3] If BOD is enabled min VDDD range goes to 1.7 V

11.2 AC characteristics

Table 7. AC characteristics

All parameters are guaranteed for $V_{BAT} = 3.6\text{ V}$; $V_{DDD} = 1.8\text{ V}$; $V_{DDP} = V_{BST} = 12\text{ V}$, adaptive boost mode; $L_{BST} = 1\text{ }\mu\text{H}$ [1]; $R_L = 8\text{ }\Omega$ [1]; $L_L = 40\text{ }\mu\text{H}$ [1]; $f_i = 1\text{ kHz}$; $f_s = 48\text{ kHz}$; $T_{amb} = 25\text{ }^\circ\text{C}$; default settings, unless otherwise specified.

Symbol	Parameter	Conditions	Min	Typ	Max	Unit
Amplifier output power						
$P_{O(AV)}$	average output power	Hands-free speaker THD+N = 1 %; $V_{BAT} = 4\text{ V}$				
		$R_L = 8\text{ }\Omega$; $V_{BST} = 12\text{ V}$		6.6		W
		$R_L = 6\text{ }\Omega$; $V_{BST} = 10\text{ V}$		6.6		W
		$R_L = 4\text{ }\Omega$; $V_{BST} = 8.5\text{ V}$		6.7		W
		Hands-free speaker THD+N = 10 %; $V_{BAT} = 4\text{ V}$				
		$R_L = 8\text{ }\Omega$; $V_{BST} = 12\text{ V}$		8		W
		Handset speaker THD+N = 1 %; $V_{BST} = 12\text{ V}$; $V_{BAT} = 4\text{ V}$		2		W
Amplifier output; pins OUTA and OUTB						
$ V_{O(offset)} $	output offset voltage	absolute value	-	-	0.5	mV
Amplifier performance						
η_{po}	output power efficiency	$P_{O(RMS)} = 2.5\text{ W}$; including DC-to-DC converter; 100 Hz audio signal	[2]	-	80	- %
THD+N	total harmonic distortion-plus-noise	$P_{O(RMS)} = 100\text{ mW}$; $R_L = 8\text{ }\Omega$; $L_L = 44\text{ }\mu\text{H}$	[1]	-	-	0.1 %
$V_{n(o)}$	output noise voltage	A-weighted; no output signal; CoolFlux DSP bypassed; Handset mode; BCK clock jitter < 1 ns (PLL locked on BCK)		-	16	- μV
DR	dynamic range	$V_O = 10\text{ V}$ (peak); A-weighted		-	115	- dB
S/N	signal-to-noise ratio	$V_O = 10\text{ V}$ (peak); A-weighted		-	100	- dB
PSRR	power supply rejection ratio	$V_{ripple} = 200\text{ mV}$ (RMS); $f_{ripple} = 217\text{ Hz}$		-	75	- dB
f_{sw}	switching frequency	directly coupled to the TDM FS input frequency		256	-	384 kHz
$G_{(I2S-V_O)}$	I ² S to V_O gain	Coolflux DSP bypassed, measured at input level -12 dBFS; TDMSPKG = 0 dB		-	21	- dB
V_{POP}	pop noise voltage	At mode transition and gain change			2	mV

12 V boosted audio system with adaptive sound maximizer and speaker protection

Table 7. AC characteristics ...continued

All parameters are guaranteed for $V_{BAT} = 3.6$ V; $V_{DDD} = 1.8$ V; $V_{DDP} = V_{BST} = 12$ V, adaptive boost mode; $L_{BST} = 1$ μ H^[1]; $R_L = 8$ Ω ^[1]; $L_L = 40$ μ H^[1]; $f_i = 1$ kHz; $f_s = 48$ kHz; $T_{amb} = 25$ °C; default settings, unless otherwise specified.

Symbol	Parameter	Conditions	Min	Typ	Max	Unit
R_L	load resistance		4	8	32	Ω
C_L	load capacitance		-	-	200	pF
Amplifier power-up, power-down and propagation delays						
$t_{d(on)}$	turn-on delay time	PLL locked on BCK $f_s = 16$ to 48 kHz	-	-	2	ms
		PLL locked on FS $f_s = 48$ kHz	-	-	6	ms
$t_{d(off)}$	turn-off delay time		-	-	10	μ s
$t_{d(mute_off)}$	mute off delay time		-	1	-	ms
$t_{d(soft_mute)}$	soft mute delay time	Coolflux DSP enabled	[3]	120	-	ms
t_{PD}	propagation delay	CoolFlux DSP bypassed $f_s = 48$ kHz	-	-	600	μ s
		SpeakerBoost protection mode, $t_{LookAhead} = 10$ ms, $f_s = 48$ kHz	-	-	12	ms
Current-sensing performance						
S/N	signal-to-noise ratio	$I_O = 1.2$ A (peak); A-weighted	-	75	-	dB
ΔI_{sense}	current sense mismatch	$I_O = 0.5$ A (peak)	-3	-	+3	%
B	bandwidth		[2]	8	-	kHz
L_L	load inductance	$R_L \leq 32$ Ω	30	-	-	μ H
C_L	load capacitance	to ground	[4]	200	-	pF

[1] L_{BST} = boost converter inductor; R_L = load resistance; L_L = load inductance (speaker).

[2] This parameter is not tested during production; the value is guaranteed by design and checked during product validation.

[3] The pilot tone is removed at the zero crossing after a soft mute, which takes on average 10 ms (20 ms max.) at a sample rate of 48 kHz and 15 ms (30 ms max.) at a sample rate of 16 kHz.

[4] If a higher value is used, LPM should be disabled.

11.3 TDM/I²S timing characteristics

Table 8. TDM I²S bus interface characteristics; see Figure 4

All parameters are guaranteed for $V_{BAT} = 3.6\text{ V}$; $V_{DD} = 1.8\text{ V}$; $V_{DDP} = V_{BST} = 12\text{ V}$, adaptive boost mode; $L_{BST} = 1\text{ }\mu\text{H}$; $R_L = 8\text{ }\Omega$; $L_L = 40\text{ }\mu\text{H}$; $f_i = 1\text{ kHz}$; $f_s = 48\text{ kHz}$; $T_{amb} = 25\text{ }^\circ\text{C}$; default settings, unless otherwise specified.

Symbol	Parameter	Conditions	Min	Typ	Max	Unit
f_s	sampling frequency	on pin FS	[2]	16	48	kHz
f_{clk}	clock frequency	on pin BCK	[2]	$32f_s$	$512f_s$	Hz
t_{su}	set-up time	FS edge to BCK HIGH	[3]	10	-	ns
		DATA edge to BCK HIGH		10	-	ns
t_h	hold time	BCK HIGH to FS edge	[3]	10	-	ns
		BCK HIGH to DATA edge		10	-	ns
t_j	external clock jitter	PLL locked on BCK	[4]	-	2	ns
		PLL locked on FS	[5]	-	20	ns

- [1] L_{BST} = boost converter inductance; R_L = load resistance; L_L = load inductance.
- [2] The I²S bit clock input (BCK) is used as a clock input for the DSP, as well as for the amplifier and the DC-to-DC converter. Note that both the BCK and FS signals need to be present for the clock to operate correctly.
- [3] This parameter is not tested during production; the value is guaranteed by design and checked during product validation.
- [4] When the PLL is locked on BCK, amplifier output noise can deteriorate when clock jitter > 1 ns.
- [5] The system is less sensitive to jitter when the PLL is locked on FS.

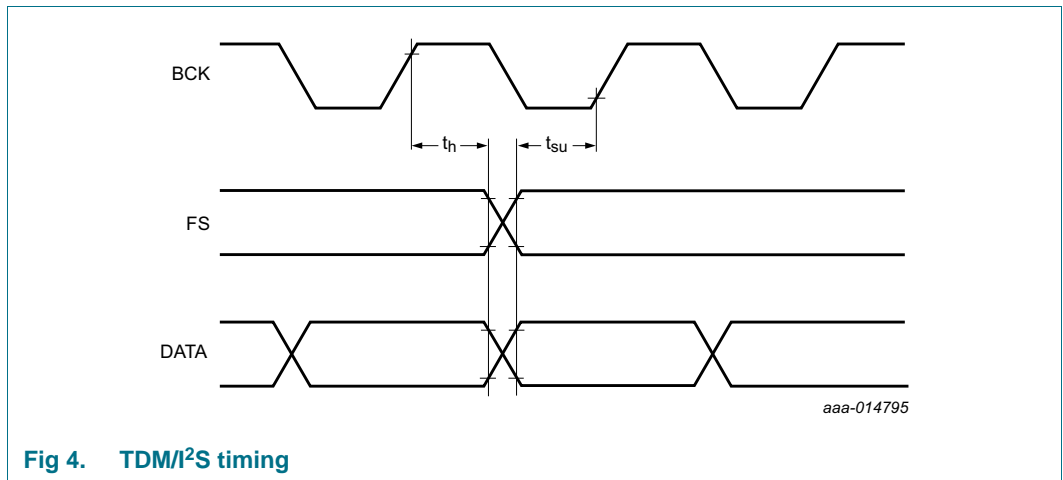


Fig 4. TDM/I²S timing

11.4 I²C timing characteristics

Table 9. I²C-bus interface characteristics; see Figure 5

All parameters are guaranteed for $V_{BAT} = 3.6\text{ V}$; $V_{DDD} = 1.8\text{ V}$; $V_{DDP} = V_{BST} = 12\text{ V}$, adaptive boost mode; $L_{BST} = 1\text{ }\mu\text{H}$ [1]; $R_L = 8\text{ }\Omega$ [1]; $L_L = 40\text{ }\mu\text{H}$ [1]; $f_i = 1\text{ kHz}$; $f_s = 48\text{ kHz}$; $T_{amb} = 25\text{ }^\circ\text{C}$; default settings, unless otherwise specified.

Symbol	Parameter	Conditions	Min	Typ	Max	Unit
f_{SCL}	SCL clock frequency		-	-	400	kHz
t_{LOW}	LOW period of the SCL clock		1.3	-	-	μs
t_{HIGH}	HIGH period of the SCL clock		0.6	-	-	μs
t_r	rise time	SDA and SCL signals [2]	$20 + 0.1 C_b$	-	-	ns
t_f	fall time	SDA and SCL signals [2]	$20 + 0.1 C_b$	-	-	ns
$t_{HD;STA}$	hold time (repeated) START condition	[3]	0.6	-	-	μs
$t_{SU;STA}$	set-up time for a repeated START condition		0.6	-	-	μs
$t_{SU;STO}$	set-up time for STOP condition		0.6	-	-	μs
t_{BUF}	bus free time between a STOP and START condition		1.3	-	-	μs
$t_{SU;DAT}$	data set-up time		100	-	-	ns
$t_{HD;DAT}$	data hold time		0	-	-	μs
t_{SP}	pulse width of spikes that must be suppressed by the input filter	[4]	0	-	50	ns
C_b	capacitive load for each bus line		-	-	400	pF

- [1] L_{BST} = boost converter inductance; R_L = load resistance; L_L = load inductance.
- [2] C_b is the total capacitance of one bus line in pF. The maximum capacitive load for each bus line is 400 pF.
- [3] After this period, the first clock pulse is generated.
- [4] To be suppressed by the input filter.

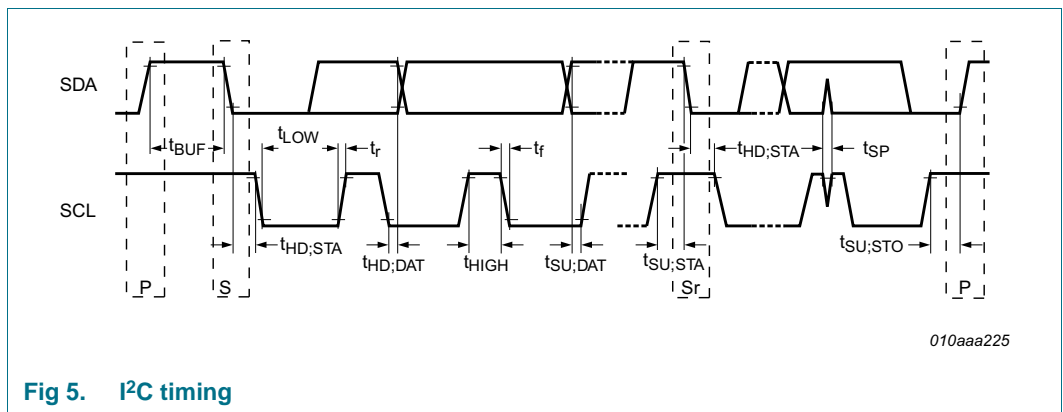


Fig 5. I²C timing

12. Application information

12.1 Application diagrams

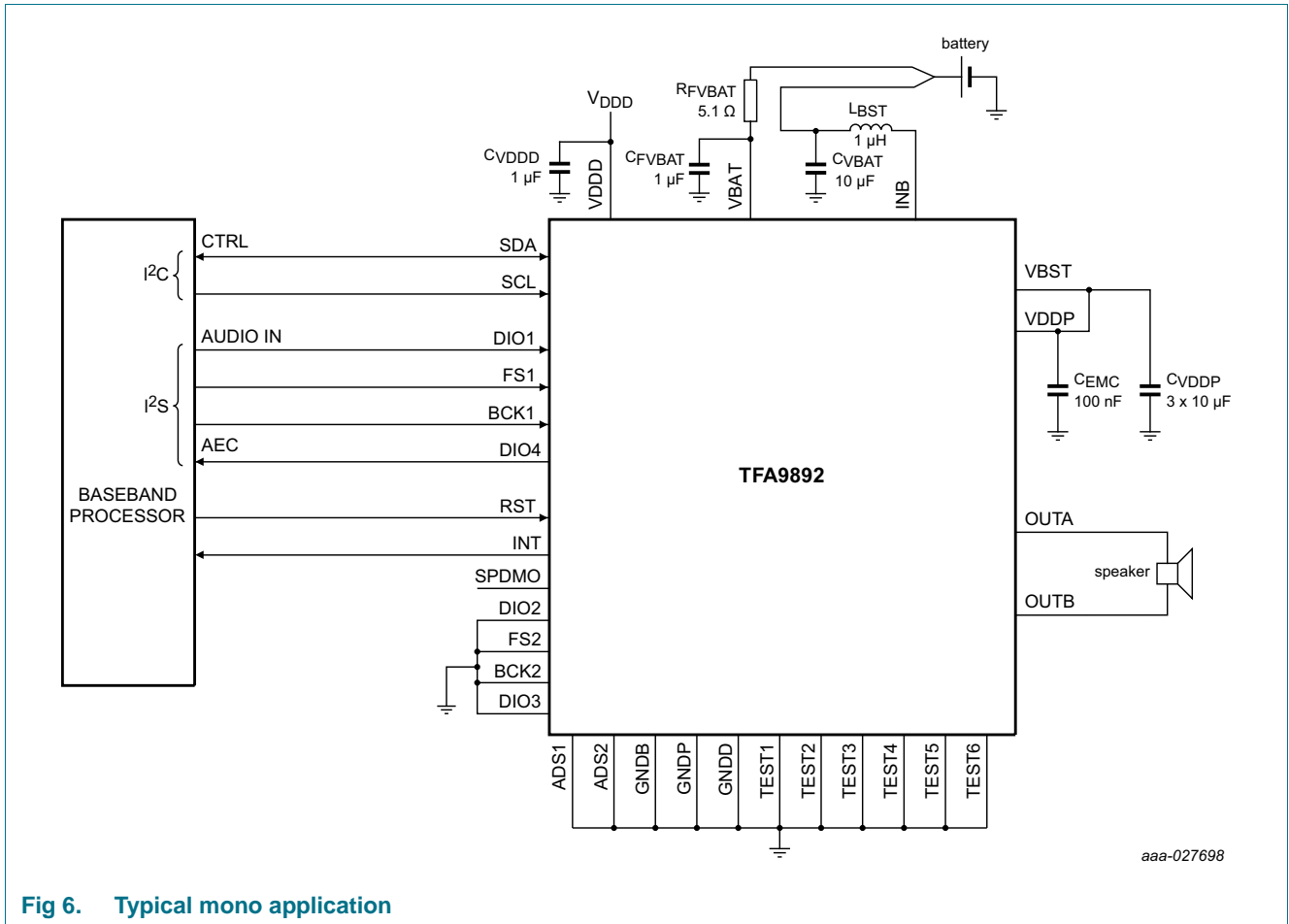


Fig 6. Typical mono application

aaa-027698

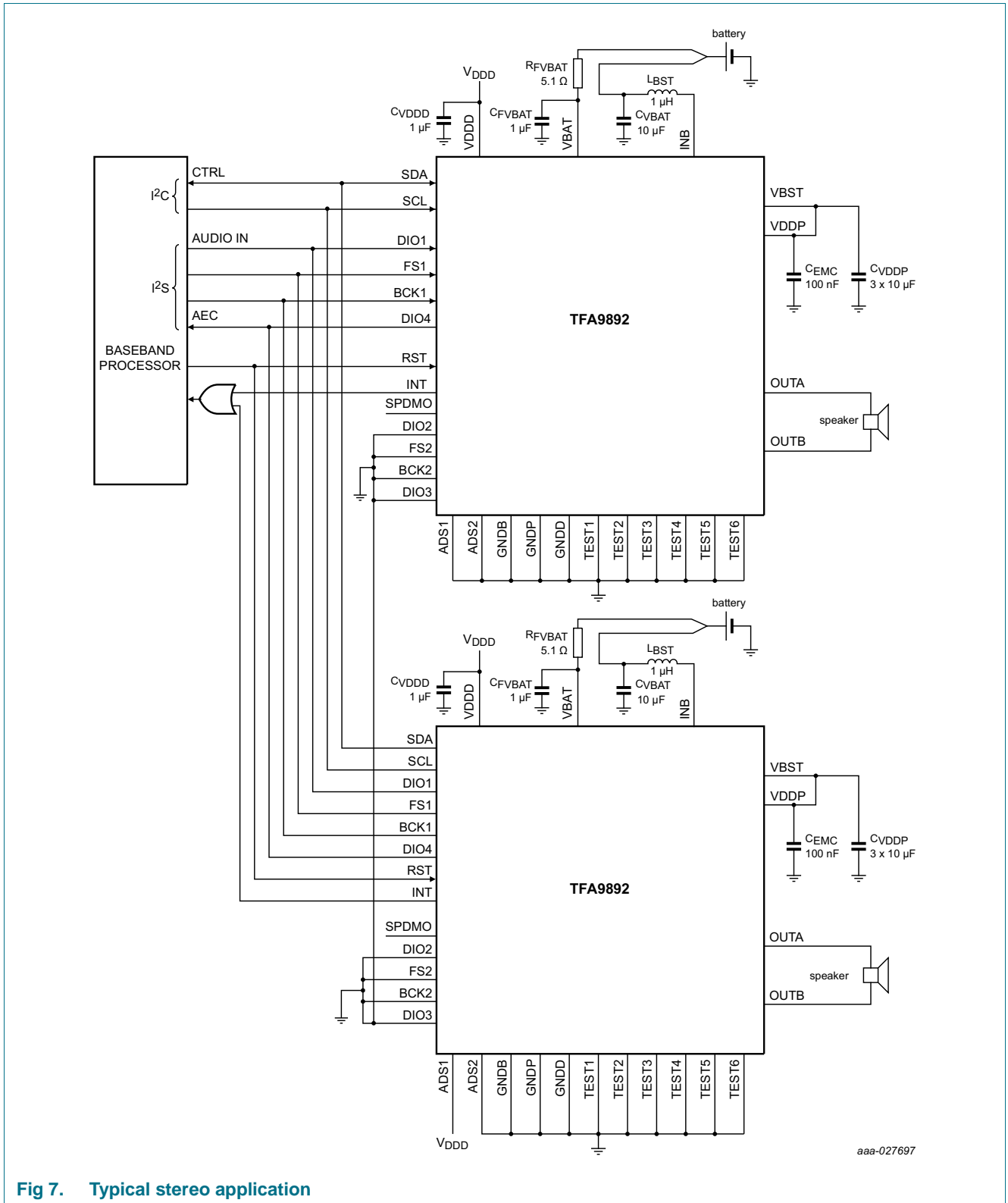


Fig 7. Typical stereo application

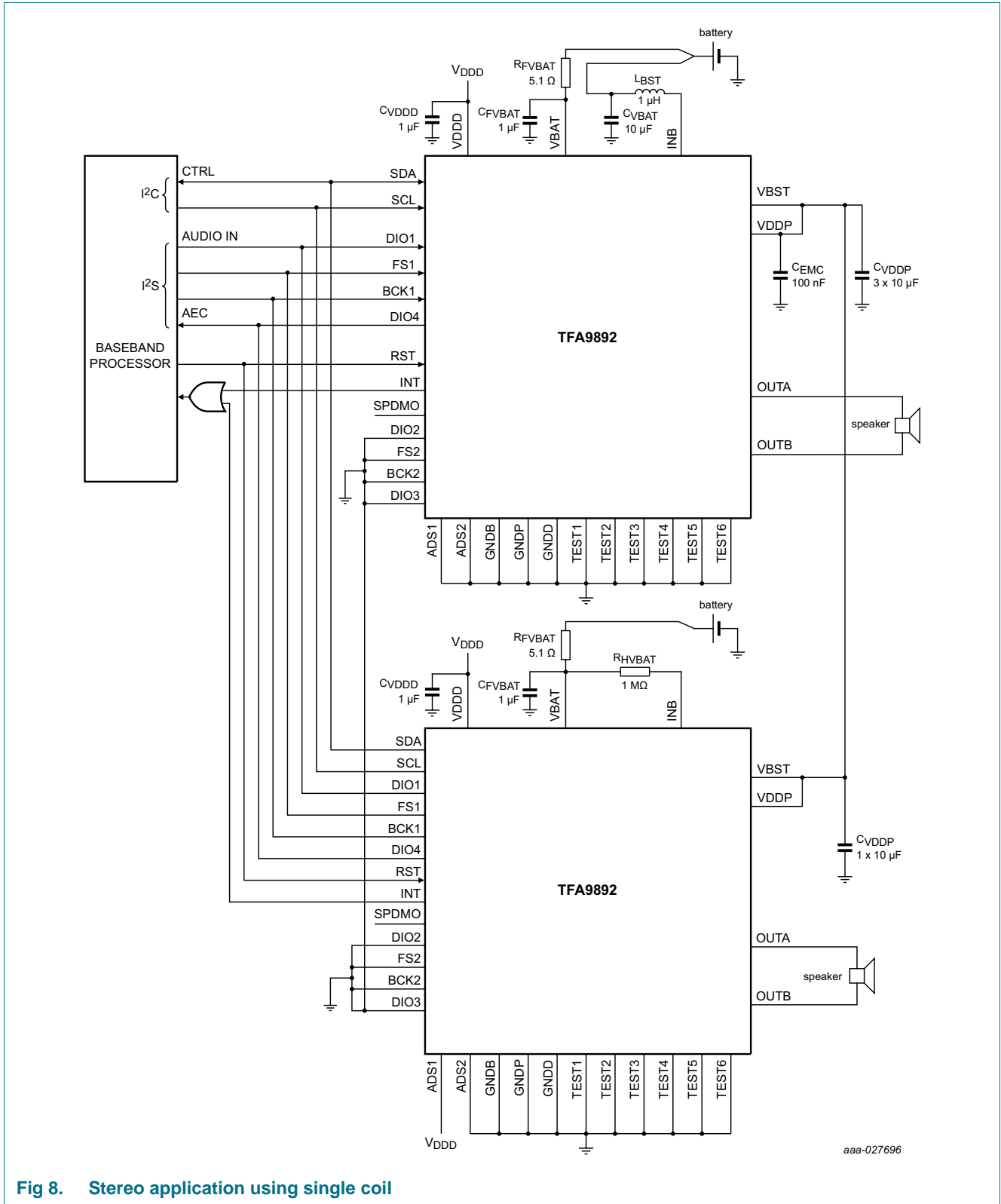


Fig 8. Stereo application using single coil

13. Package outline

WLCSP49: wafer level chip-scale package; 49 bumps; 3.13 x 3.63 x 0.5 mm

SOT1444-8

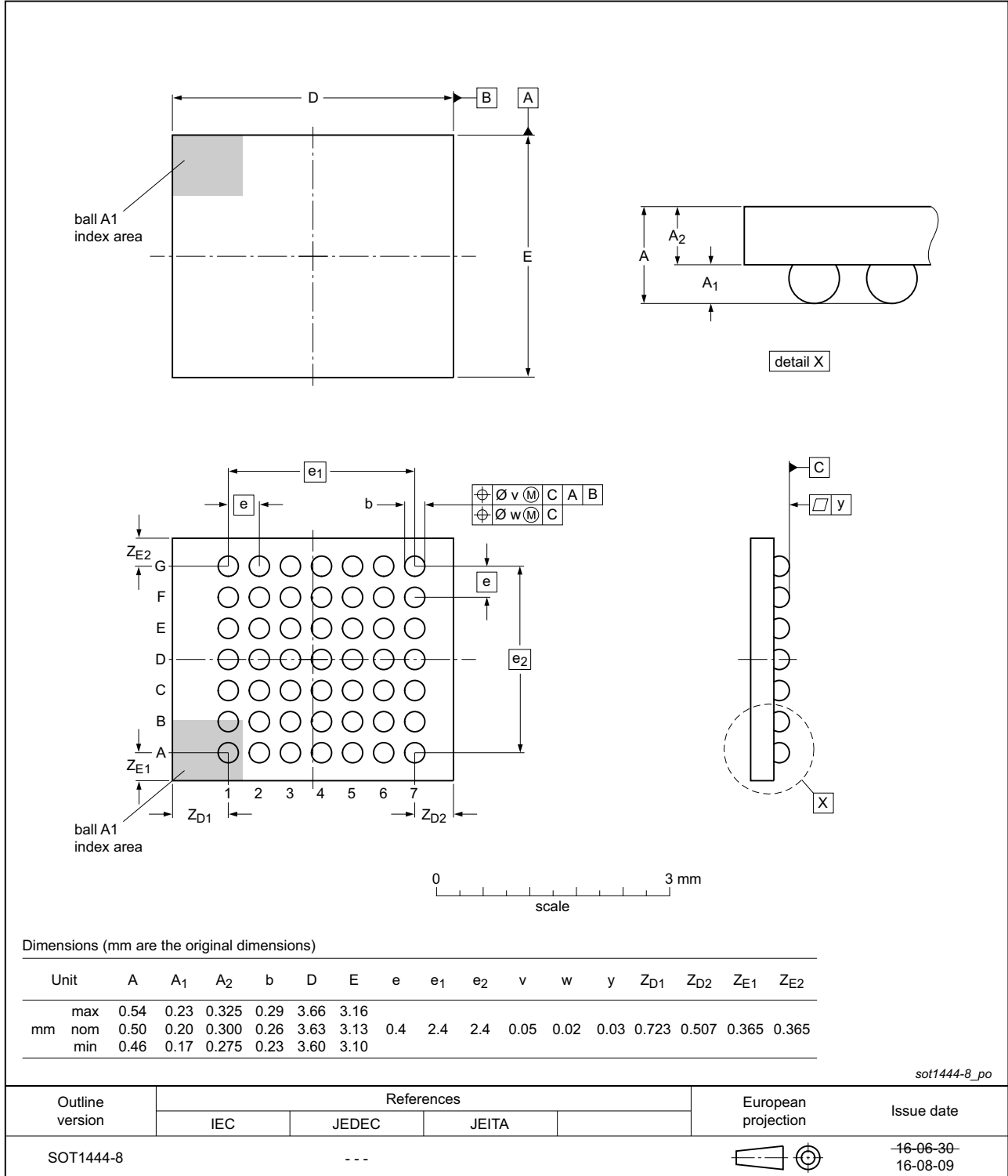


Fig 9. Package outline TFA9892AUK/N1 (WLCSP49)

14. Soldering of WLCSP packages

14.1 Introduction to soldering WLCSP packages

This text provides a very brief insight into a complex technology. A more in-depth account of soldering WLCSP (Wafer Level Chip-Size Packages) can be found in application note AN10439 “Wafer Level Chip Scale Package” and in application note AN10365 “Surface mount reflow soldering description”.

Wave soldering is not suitable for this package.

All NXP WLCSP packages are lead-free.

14.2 Board mounting

Board mounting of a WLCSP requires several steps:

1. Solder paste printing on the PCB
2. Component placement with a pick and place machine
3. The reflow soldering itself

14.3 Reflow soldering

Key characteristics in reflow soldering are:

- Lead-free versus SnPb soldering; note that a lead-free reflow process usually leads to higher minimum peak temperatures (see [Figure 10](#)) than a SnPb process, thus reducing the process window
- Solder paste printing issues, such as smearing, release, and adjusting the process window for a mix of large and small components on one board
- Reflow temperature profile; this profile includes preheat, reflow (in which the board is heated to the peak temperature), and cooling down. It is imperative that the peak temperature is high enough for the solder to make reliable solder joints (a solder paste characteristic) while being low enough that the packages and/or boards are not damaged. The peak temperature of the package depends on package thickness and volume and is classified in accordance with [Table 10](#).

Table 10. Lead-free process (from J-STD-020D)

Package thickness (mm)	Package reflow temperature (°C)		
	Volume (mm ³)		
	< 350	350 to 2000	> 2000
< 1.6	260	260	260
1.6 to 2.5	260	250	245
> 2.5	250	245	245

Moisture sensitivity precautions, as indicated on the packing, must be respected at all times.

Studies have shown that small packages reach higher temperatures during reflow soldering, see [Figure 10](#).

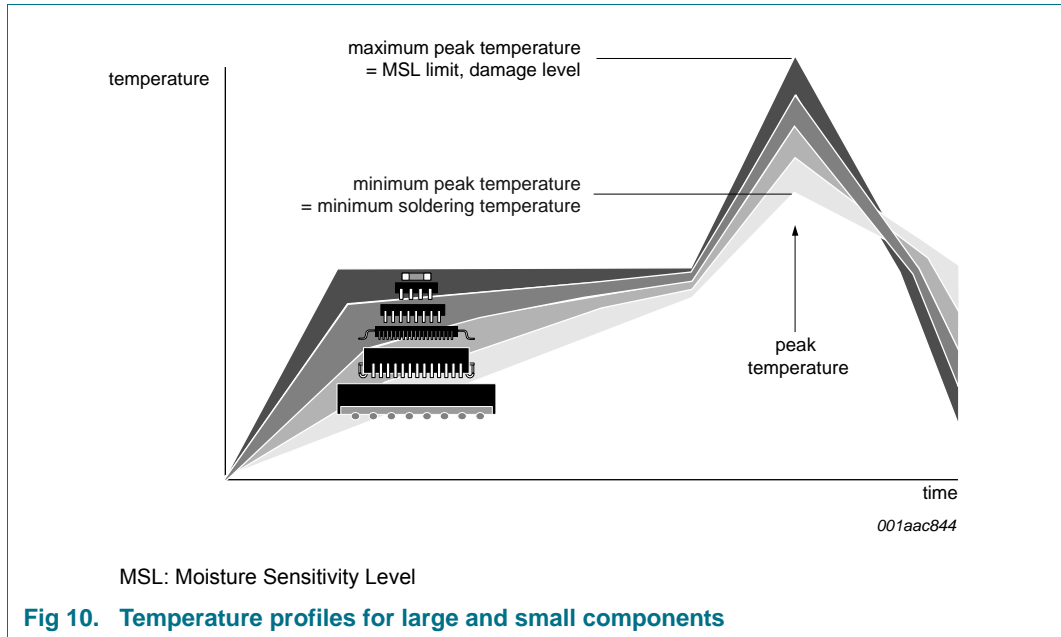


Fig 10. Temperature profiles for large and small components

For further information on temperature profiles, refer to application note AN10365 “Surface mount reflow soldering description”.

14.3.1 Stand off

The stand off between the substrate and the chip is determined by:

- The amount of printed solder on the substrate
- The size of the solder land on the substrate
- The bump height on the chip

The higher the stand off, the better the stresses are released due to TEC (Thermal Expansion Coefficient) differences between substrate and chip.

14.3.2 Quality of solder joint

A flip-chip joint is considered to be a good joint when the entire solder land has been wetted by the solder from the bump. The surface of the joint should be smooth and the shape symmetrical. The soldered joints on a chip should be uniform. Voids in the bumps after reflow can occur during the reflow process in bumps with high ratio of bump diameter to bump height, i.e. low bumps with large diameter. No failures have been found to be related to these voids. Solder joint inspection after reflow can be done with X-ray to monitor defects such as bridging, open circuits and voids.

14.3.3 Rework

In general, rework is not recommended. By rework we mean the process of removing the chip from the substrate and replacing it with a new chip. If a chip is removed from the substrate, most solder balls of the chip will be damaged. In that case it is recommended not to re-use the chip again.

Device removal can be done when the substrate is heated until it is certain that all solder joints are molten. The chip can then be carefully removed from the substrate without damaging the tracks and solder lands on the substrate. Removing the device must be done using plastic tweezers, because metal tweezers can damage the silicon. The surface of the substrate should be carefully cleaned and all solder and flux residues and/or underfill removed. When a new chip is placed on the substrate, use the flux process instead of solder on the solder lands. Apply flux on the bumps at the chip side as well as on the solder pads on the substrate. Place and align the new chip while viewing with a microscope. To reflow the solder, use the solder profile shown in application note AN10365 “Surface mount reflow soldering description”.

14.3.4 Cleaning

Cleaning can be done after reflow soldering.

15. Revision history

Table 11. Revision history

Document ID	Release date	Data sheet status	Change notice	Supersedes
TFA9892_SDS v.1	20170901	Product short data sheet	-	-

16. Legal information

16.1 Data sheet status

Document status ^{[1][2]}	Product status ^[3]	Definition
Objective [short] data sheet	Development	This document contains data from the objective specification for product development.
Preliminary [short] data sheet	Qualification	This document contains data from the preliminary specification.
Product [short] data sheet	Production	This document contains the product specification.

[1] Please consult the most recently issued document before initiating or completing a design.

[2] The term 'short data sheet' is explained in section "Definitions".

[3] The product status of device(s) described in this document may have changed since this document was published and may differ in case of multiple devices. The latest product status information is available on the Internet at URL <http://www.nxp.com>.

16.2 Definitions

Draft — The document is a draft version only. The content is still under internal review and subject to formal approval, which may result in modifications or additions. NXP Semiconductors does not give any representations or warranties as to the accuracy or completeness of information included herein and shall have no liability for the consequences of use of such information.

Short data sheet — A short data sheet is an extract from a full data sheet with the same product type number(s) and title. A short data sheet is intended for quick reference only and should not be relied upon to contain detailed and full information. For detailed and full information see the relevant full data sheet, which is available on request via the local NXP Semiconductors sales office. In case of any inconsistency or conflict with the short data sheet, the full data sheet shall prevail.

Product specification — The information and data provided in a Product data sheet shall define the specification of the product as agreed between NXP Semiconductors and its customer, unless NXP Semiconductors and customer have explicitly agreed otherwise in writing. In no event however, shall an agreement be valid in which the NXP Semiconductors product is deemed to offer functions and qualities beyond those described in the Product data sheet.

16.3 Disclaimers

Limited warranty and liability — Information in this document is believed to be accurate and reliable. However, NXP Semiconductors does not give any representations or warranties, expressed or implied, as to the accuracy or completeness of such information and shall have no liability for the consequences of use of such information. NXP Semiconductors takes no responsibility for the content in this document if provided by an information source outside of NXP Semiconductors.

In no event shall NXP Semiconductors be liable for any indirect, incidental, punitive, special or consequential damages (including - without limitation - lost profits, lost savings, business interruption, costs related to the removal or replacement of any products or rework charges) whether or not such damages are based on tort (including negligence), warranty, breach of contract or any other legal theory.

Notwithstanding any damages that customer might incur for any reason whatsoever, NXP Semiconductors' aggregate and cumulative liability towards customer for the products described herein shall be limited in accordance with the *Terms and conditions of commercial sale* of NXP Semiconductors.

Right to make changes — NXP Semiconductors reserves the right to make changes to information published in this document, including without limitation specifications and product descriptions, at any time and without notice. This document supersedes and replaces all information supplied prior to the publication hereof.

Suitability for use — NXP Semiconductors products are not designed, authorized or warranted to be suitable for use in life support, life-critical or safety-critical systems or equipment, nor in applications where failure or malfunction of an NXP Semiconductors product can reasonably be expected to result in personal injury, death or severe property or environmental damage. NXP Semiconductors and its suppliers accept no liability for inclusion and/or use of NXP Semiconductors products in such equipment or applications and therefore such inclusion and/or use is at the customer's own risk.

Applications — Applications that are described herein for any of these products are for illustrative purposes only. NXP Semiconductors makes no representation or warranty that such applications will be suitable for the specified use without further testing or modification.

Customers are responsible for the design and operation of their applications and products using NXP Semiconductors products, and NXP Semiconductors accepts no liability for any assistance with applications or customer product design. It is customer's sole responsibility to determine whether the NXP Semiconductors product is suitable and fit for the customer's applications and products planned, as well as for the planned application and use of customer's third party customer(s). Customers should provide appropriate design and operating safeguards to minimize the risks associated with their applications and products.

NXP Semiconductors does not accept any liability related to any default, damage, costs or problem which is based on any weakness or default in the customer's applications or products, or the application or use by customer's third party customer(s). Customer is responsible for doing all necessary testing for the customer's applications and products using NXP Semiconductors products in order to avoid a default of the applications and the products or of the application or use by customer's third party customer(s). NXP does not accept any liability in this respect.

Limiting values — Stress above one or more limiting values (as defined in the Absolute Maximum Ratings System of IEC 60134) will cause permanent damage to the device. Limiting values are stress ratings only and (proper) operation of the device at these or any other conditions above those given in the Recommended operating conditions section (if present) or the Characteristics sections of this document is not warranted. Constant or repeated exposure to limiting values will permanently and irreversibly affect the quality and reliability of the device.

Terms and conditions of commercial sale — NXP Semiconductors products are sold subject to the general terms and conditions of commercial sale, as published at <http://www.nxp.com/profile/terms>, unless otherwise agreed in a valid written individual agreement. In case an individual agreement is concluded only the terms and conditions of the respective agreement shall apply. NXP Semiconductors hereby expressly objects to applying the customer's general terms and conditions with regard to the purchase of NXP Semiconductors products by customer.

No offer to sell or license — Nothing in this document may be interpreted or construed as an offer to sell products that is open for acceptance or the grant, conveyance or implication of any license under any copyrights, patents or other industrial or intellectual property rights.

12 V boosted audio system with adaptive sound maximizer and speaker protection

Export control — This document as well as the item(s) described herein may be subject to export control regulations. Export might require a prior authorization from competent authorities.

Quick reference data — The Quick reference data is an extract of the product data given in the Limiting values and Characteristics sections of this document, and as such is not complete, exhaustive or legally binding.

Non-automotive qualified products — Unless this data sheet expressly states that this specific NXP Semiconductors product is automotive qualified, the product is not suitable for automotive use. It is neither qualified nor tested in accordance with automotive testing or application requirements. NXP Semiconductors accepts no liability for inclusion and/or use of non-automotive qualified products in automotive equipment or applications.

In the event that customer uses the product for design-in and use in automotive applications to automotive specifications and standards, customer (a) shall use the product without NXP Semiconductors' warranty of the product for such automotive applications, use and specifications, and (b)

whenever customer uses the product for automotive applications beyond NXP Semiconductors' specifications such use shall be solely at customer's own risk, and (c) customer fully indemnifies NXP Semiconductors for any liability, damages or failed product claims resulting from customer design and use of the product for automotive applications beyond NXP Semiconductors' standard warranty and NXP Semiconductors' product specifications.

Translations — A non-English (translated) version of a document is for reference only. The English version shall prevail in case of any discrepancy between the translated and English versions.

16.4 Trademarks

Notice: All referenced brands, product names, service names and trademarks are the property of their respective owners.

CoolFlux — is a trademark of NXP B.V.

17. Contact information

For more information, please visit: <http://www.nxp.com>

For sales office addresses, please send an email to: salesaddresses@nxp.com

18. Contents

1	General description	1
2	Features and benefits	2
3	Applications	2
4	Quick reference data	3
5	Ordering information	3
6	Block diagram	4
7	Pinning information	5
7.1	Pinning	5
8	Functional description	9
9	Limiting values	11
10	Thermal characteristics	11
11	Characteristics	12
11.1	DC Characteristics	12
11.2	AC characteristics	13
11.3	TDM/I ² S timing characteristics	15
11.4	I ² C timing characteristics	16
12	Application information	17
12.1	Application diagrams	17
13	Package outline	20
14	Soldering of WLCSP packages	21
14.1	Introduction to soldering WLCSP packages ..	21
14.2	Board mounting	21
14.3	Reflow soldering	21
14.3.1	Stand off	22
14.3.2	Quality of solder joint	22
14.3.3	Rework	22
14.3.4	Cleaning	23
15	Revision history	24
16	Legal information	25
16.1	Data sheet status	25
16.2	Definitions	25
16.3	Disclaimers	25
16.4	Trademarks	26
17	Contact information	26
18	Contents	27

Please be aware that important notices concerning this document and the product(s) described herein, have been included in section 'Legal information'.

© NXP B.V. 2017. All rights reserved.

All rights reserved.

For more information, please visit: <http://www.nxp.com>

For sales office addresses, please send an email to: salesaddresses@nxp.com

Date of release: 1 September 2017

Document identifier: TFA9892_SDS