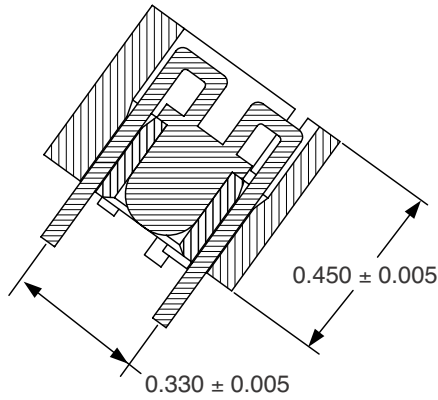
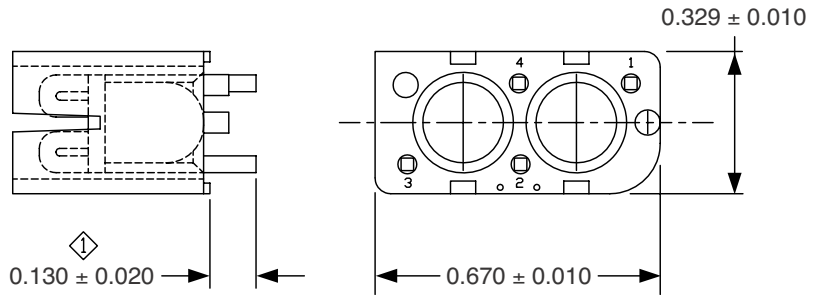
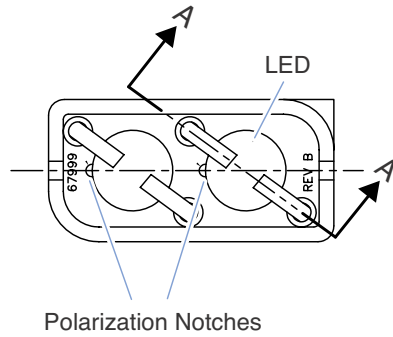


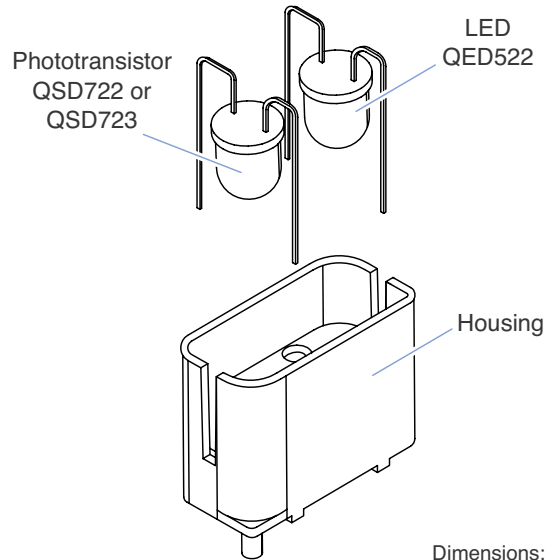
THIS DRAWING IS THE PROPERTY OF FAIRCHILD SEMICONDUCTOR CORPORATION. NO USE THEREOF SHALL BE MADE OTHER THAN AS A REFERENCE FOR PROPOSAL AS SUBMITTED TO FAIRCHILD SEMICONDUCTOR CORPORATION FOR JOBS TO BE EXECUTED IN CONFORMITY WITH SUCH PROPOSALS UNLESS THE CONSENT OF SAID FAIRCHILD SEMICONDUCTOR CORPORATION HAS PREVIOUSLY BEEN OBTAINED. NO PART OF THIS DRAWING SHALL BE COPIED OR DUPLICATED OR ITS CONTENTS DISCLOSED. THE INFORMATION CONTAINED ON THIS DRAWING IS CONFIDENTIAL AND PROPRIETARY.

REVISIONS

NO.	DESCRIPTION	DATE	NAME/SITE
A	ORINATION	10OCTOBER11	—



Section A-A
(Enlarged)



Notes:

1. \diamond denotes critical dimension.
2. Optical devices must have a retention force of 0.5 pounds minimum in the housing. (O.Q.A.)
3. IQA to use MPS-34.09 to buy-off.

APPROVALS	DATE	FAIRCHILD SEMICONDUCTOR®			
DRAWN: D. LEISER		KAT00022A			
CHECKED: JH. PARK					
APPROVED: T. HERNOULT					
		SCALE 1:1	SIZE N/A	DRAWING NUMBER MKT-AC013A	REV 0
		FORMERLY: N/A	SHEET: 1 OF 1		