



Is Now Part of



**ON Semiconductor®**

To learn more about ON Semiconductor, please visit our website at  
[www.onsemi.com](http://www.onsemi.com)

Please note: As part of the Fairchild Semiconductor integration, some of the Fairchild orderable part numbers will need to change in order to meet ON Semiconductor's system requirements. Since the ON Semiconductor product management systems do not have the ability to manage part nomenclature that utilizes an underscore (\_), the underscore (\_) in the Fairchild part numbers will be changed to a dash (-). This document may contain device numbers with an underscore (\_). Please check the ON Semiconductor website to verify the updated device numbers. The most current and up-to-date ordering information can be found at [www.onsemi.com](http://www.onsemi.com). Please email any questions regarding the system integration to [Fairchild\\_questions@onsemi.com](mailto:Fairchild_questions@onsemi.com).

ON Semiconductor and the ON Semiconductor logo are trademarks of Semiconductor Components Industries, LLC dba ON Semiconductor or its subsidiaries in the United States and/or other countries. ON Semiconductor owns the rights to a number of patents, trademarks, copyrights, trade secrets, and other intellectual property. A listing of ON Semiconductor's product/patent coverage may be accessed at [www.onsemi.com/site/pdf/Patent-Marking.pdf](http://www.onsemi.com/site/pdf/Patent-Marking.pdf). ON Semiconductor reserves the right to make changes without further notice to any products herein. ON Semiconductor makes no warranty, representation or guarantee regarding the suitability of its products for any particular purpose, nor does ON Semiconductor assume any liability arising out of the application or use of any product or circuit, and specifically disclaims any and all liability, including without limitation special, consequential or incidental damages. Buyer is responsible for its products and applications using ON Semiconductor products, including compliance with all laws, regulations and safety requirements or standards, regardless of any support or applications information provided by ON Semiconductor. "Typical" parameters which may be provided in ON Semiconductor data sheets and/or specifications can and do vary in different applications and actual performance may vary over time. All operating parameters, including "Typicals" must be validated for each customer application by customer's technical experts. ON Semiconductor does not convey any license under its patent rights nor the rights of others. ON Semiconductor products are not designed, intended, or authorized for use as a critical component in life support systems or any FDA Class 3 medical devices or medical devices with a same or similar classification in a foreign jurisdiction or any devices intended for implantation in the human body. Should Buyer purchase or use ON Semiconductor products for any such unintended or unauthorized application, Buyer shall indemnify and hold ON Semiconductor and its officers, employees, subsidiaries, affiliates, and distributors harmless against all claims, costs, damages, and expenses, and reasonable attorney fees arising out of, directly or indirectly, any claim of personal injury or death associated with such unintended or unauthorized use, even if such claim alleges that ON Semiconductor was negligent regarding the design or manufacture of the part. ON Semiconductor is an Equal Opportunity/Affirmative Action Employer. This literature is subject to all applicable copyright laws and is not for resale in any manner.

## 74ACT1284 IEEE 1284 Transceiver

### General Description

The 74ACT1284 contains four non-inverting bidirectional buffers and three non-inverting buffers with open Drain outputs and high drive capability on the B Ports. It is intended to provide a standard signaling method for a bi-direction parallel peripheral in an Extended Capabilities Port mode (ECP).

The HD (active HIGH) input pin enables the B Ports to switch from open Drain to a high drive totem pole output, capable of sourcing 14 mA on all seven buffers. The DIR input determines the direction of data flow on the bidirectional buffers. DIR (active HIGH) enables data flow from A Ports to B Ports. DIR (active LOW) enables data flow from B Ports to A Ports.

### Features

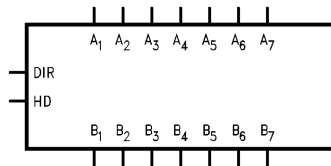
- TTL-compatible inputs
- A Ports have standard 4 mA totem pole outputs
- Typical input hysteresis of 0.5V
- B Port high drive source/sink capability of 14 mA
- Bidirectional non-inverting buffers
- Supports IEEE P1284 Level 1 and Level 2 signaling standards for bidirectional parallel communications between personal computers and printing peripherals
- B Port outputs in High Impedance mode during power down
- Guaranteed 4000V minimum ESD protection

### Ordering Code:

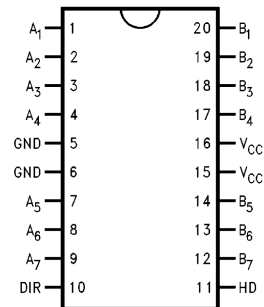
Order Number	Package Number	Package Description
74ACT1284SC	M20B	20-Lead Small Outline Integrated Circuit (SOIC), JEDEC MS-013, 0.300" Wide
74ACT1284MSA	MSA20	20-Lead Shrink Small Outline Package (SSOP), EIAJ TYPE II, 5.3mm Wide
74ACT1284MTC	MTC20	20-Lead Thin Shrink Small Outline Package (TSSOP), JEDEC MO-153, 4.4mm Wide

Device also available in Tape and Reel. Specify by appending suffix letter "X" to the ordering code.

### Logic Symbol



### Connection Diagram



### Pin Descriptions

Pin Names	Description
HD	High Drive Enable input (Active HIGH)
DIR	Direction Control Input
A <sub>1</sub> - A <sub>4</sub>	Side A Inputs or Outputs
B <sub>1</sub> - B <sub>4</sub>	Side B Inputs or Outputs
A <sub>5</sub> - A <sub>7</sub>	Side A Inputs
B <sub>5</sub> - B <sub>7</sub>	Side B Outputs

FACT™ is a trademark of Fairchild Semiconductor Corporation.

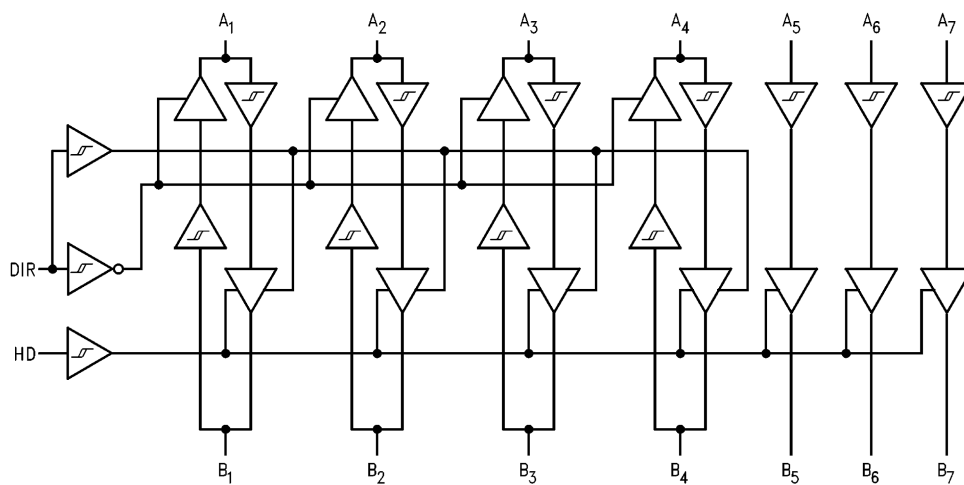
## Truth Table

Inputs		Outputs
DIR	HD	
L	L	B <sub>1</sub> - B <sub>4</sub> Data to A <sub>1</sub> - A <sub>4</sub> , and A <sub>5</sub> - A <sub>7</sub> Data to B <sub>5</sub> - B <sub>7</sub> (Note 1)
L	H	B <sub>1</sub> - B <sub>4</sub> Data to A <sub>1</sub> - A <sub>4</sub> , and A <sub>5</sub> - A <sub>7</sub> Data to B <sub>5</sub> - B <sub>7</sub>
H	L	A <sub>1</sub> - A <sub>7</sub> Data to B <sub>1</sub> - B <sub>7</sub> (Note 2)
H	H	A <sub>1</sub> - A <sub>7</sub> Data to B <sub>1</sub> - B <sub>7</sub>

Note 1: B<sub>5</sub> - B<sub>7</sub> Open Drain Outputs

Note 2: B<sub>1</sub> - B<sub>7</sub> Open Drain Outputs

## Logic Diagram



**Absolute Maximum Ratings**(Note 3)

(Note 4)

Supply Voltage ( $V_{CC}$ )	-0.5V to +7.0V
DC Input Diode Current ( $I_{IK}$ )	
$V_I = -0.5V$	-20 mA
$V_I = V_{CC} + 0.5V$	+20 mA
DC Input Voltage ( $V_I$ ) A Side	-0.5V to $V_{CC} + 0.5V$
DC Input Voltage ( $V_I$ ) B Side	-2V to +7V
DC Output Diode Current ( $I_{OK}$ )	
$V_O = -0.5V$	-20 mA
$V_O = V_{CC} + 0.5V$	+20 mA
DC Output Voltage ( $V_O$ ) A Side	-0.5V to $V_{CC} + 0.5V$
DC Output Voltage ( $V_O$ ) B Side	-2V to +7V
DC Output Source	
or Sink Current ( $I_O$ )	$\pm 50$ mA
DC $V_{CC}$ or Ground Current	
per Output Pin ( $I_{CC}$ or $I_{GND}$ )	$\pm 50$ mA
Storage Temperature ( $T_{STG}$ )	-65°C to +150°C

**Recommended Operating Conditions**

Supply Voltage ( $V_{CC}$ )	4.7V to 5.5V
Input Voltage ( $V_I$ )	0V to $V_{CC}$
Output Voltage ( $V_O$ )	0V to $V_{CC}$
Operating Temperature ( $T_A$ )	-40°C to +85°C

**Note 3:** Absolute maximum ratings are those values beyond which damage to the device may occur. The databook specifications should be met, without exception, to ensure that the system design is reliable over its power supply, temperature, and output/input loading variables. Fairchild does not recommend operation of FACT™ circuits outside databook specifications.

**Note 4:** Either voltage limit or current limit is sufficient to protect inputs.

**DC Electrical Characteristics**

Symbol	Parameter	$V_{CC}$ (V)	Guaranteed Limits			Units	Conditions
			$T_A = +25^\circ\text{C}$	$T_A = 0^\circ\text{C to } +70^\circ\text{C}$	$T_A = -40^\circ\text{C to } +85^\circ\text{C}$		
$V_{IH}$	Minimum HIGH Level Input Voltage	4.7	2.0	2.0	2.0	V	Recognized High Signal
		5.5	2.0	2.0	2.0		
$V_{IL}$	Maximum LOW Level Input Voltage	4.7	0.8	0.8	0.8	V	Recognized Low Signal
		5.5	0.8	0.8	0.8		
$V_{OH}$	Minimum HIGH Level Output Voltage	4.7	4.5	4.5	4.5	V	$I_{OUT} = -50 \mu\text{A} (A_n)$ $V_{IN} = V_{IL}$ or $V_{IH}$ (Note 5) $I_{OH} = -4 \text{ mA} (A_n)$ $I_{OH} = -14 \text{ mA} (B_n)$
			3.7	3.7	3.7		
			2.4	2.4	2.4		
$V_{OL}$	Maximum LOW Level Output Voltage	4.7	0.2	0.2	0.2	V	$I_{OUT} = 50 \mu\text{A} (A_n)$ $V_{IN} = V_{IL}$ or $V_{IH}$ (Note 5) $I_{OH} = 4 \text{ mA} (A_n)$ $I_{OH} = 14 \text{ mA} (B_n)$
			0.4	0.4	0.4		
$I_{IN}$	Maximum Input Leakage Current	5.5		$\pm 0.1$	$\pm 1.0$	$\mu\text{A}$	$V_I = V_{CC}, \text{GND}$ (DIR, A5, A6, A7, HD)
$I_{CCT}$	Maximum $I_{CC}$ /Input	5.5		1.5	1.5	mA	$V_I = V_{CC} - 2.1V$
$I_{CC}$	Maximum Quiescent Supply Current	5.5	400	400	500	$\mu\text{A}$	$V_{IN} = V_{CC}$ or GND
$I_{OZ}$	Maximum Output Leakage Current	5.5	$\pm 20$	$\pm 20$	$\pm 20$	$\mu\text{A}$	$V_O = V_{CC}, \text{GND}$
$I_{OFF}$	Maximum B-Side Power Down Leakage Current	0.0	100	100	100	$\mu\text{A}$	$V_{OUT} = 5.25V$
$\Delta V_T$	Input Hysteresis	5.0	0.4	0.4	0.35	V	$V_T + - V_T -$
$R_D$	Maximum Output Impedance	5.0	22	22	24	$\Omega$	$B_n$ (Note 6)
	Minimum Output Impedance	5.0	8	8	6	$\Omega$	$B_n$ (Note 6)

**Note 5:** All outputs loaded; thresholds on input associated with output under test.

**Note 6:** This parameter is guaranteed but not tested, characterized only;  $R_D$  is the measure of the B-Side output impedance with the output in the HIGH state.

## AC Electrical Characteristics

Symbol	Parameter	$T_A = +25^\circ\text{C}$		$T_A = 0^\circ\text{C to } +70^\circ\text{C}$		$T_A = -40^\circ\text{C to } +85^\circ\text{C}$		Units	Figure Number
		$V_{CC} = 4.7\text{V} - 5.5\text{V}$		$V_{CC} = 4.7\text{V} - 5.5\text{V}$		$V_{CC} = 4.7\text{V} - 5.5\text{V}$			
		Min	Max	Min	Max	Min	Max		
$t_{PHL}$	A <sub>1</sub> - A <sub>7</sub> to B <sub>1</sub> - B <sub>7</sub>	2.0	20.0	2.0	20.0	2.0	24.0	ns	Figure 1
$t_{PLH}$	A <sub>1</sub> - A <sub>7</sub> to B <sub>1</sub> - B <sub>7</sub>	2.0	20.0	2.0	20.0	2.0	24.0	ns	Figure 2
$t_{PHL}$	B <sub>1</sub> - B <sub>4</sub> to A <sub>1</sub> - A <sub>4</sub>	2.0	20.0	2.0	20.0	2.0	24.0	ns	Figure 3
$t_{PLH}$	B <sub>1</sub> - B <sub>4</sub> to A <sub>1</sub> - A <sub>4</sub>	2.0	20.0	2.0	20.0	2.0	24.0	ns	Figure 3
$t_{pEnable}$	Output Enable Time HD to B <sub>1</sub> - B <sub>7</sub>	2.0	20.0	2.0	20.0	2.0	24.0	ns	Figure 2
$t_{pDisable}$	Output Disable Time HD to B <sub>1</sub> - B <sub>7</sub>	2.0	20.0	2.0	20.0	2.0	24.0	ns	Figure 2
$t_{SKEW}$	Output Slew Rate								
$t_{PLH}$	B <sub>1</sub> - B <sub>7</sub>	0.05	0.40	0.05	0.40	0.05	0.40	V/ns	Figures 1, 2
$t_{PHL}$	B <sub>1</sub> - B <sub>7</sub>								
$t_r, t_f$	$t_{RISE}$ and $t_{FALL}$ B <sub>1</sub> - B <sub>7</sub> (Note 7)	120		120		120		ns	Figure 4 (Note 8)

**Note 7:** Open Drain

**Note 8:** This parameter is guaranteed but not tested, characterized only.

**Note:** Pulse Generator for all pulses; Rate  $\leq$  1.0 MHz;  $A_O \leq 50\Omega$ ;  $t_f \leq 2.5$  ns,  $t_r \leq 2.5$  ns.

## Capacitance

Symbol	Parameter	Typ	Units	Conditions
$C_{IN}$	Input Capacitance	4.0	pF	$V_{CC} = \text{OPEN (HD, DIR A}_5 - \text{A}_7)$
$C_{I/O}$	I/O Pin Capacitance	12.0	pF	$V_{CC} = 5.0\text{V}$

AC Loading and Waveforms

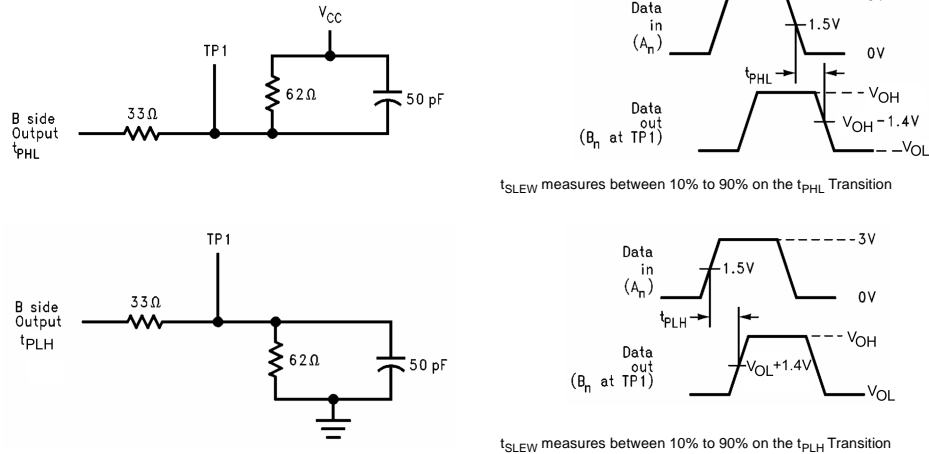


FIGURE 1. Port A to B Propagation Delay Waveforms



FIGURE 2. B Output Test Load and Waveforms



FIGURE 3. B to A Direction Test Load and Waveforms for Outputs A<sub>1</sub> - A<sub>4</sub>

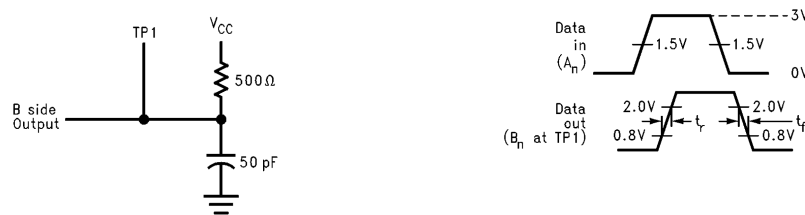
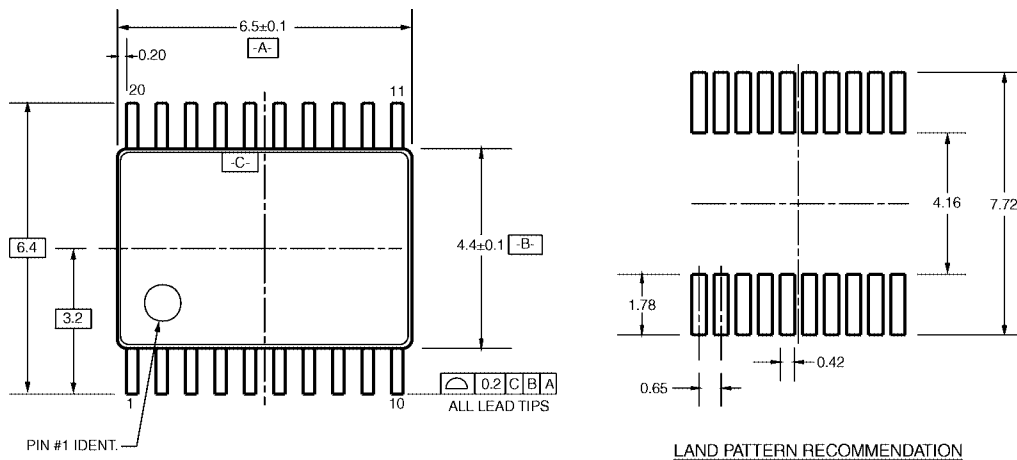


FIGURE 4. A to B Direction Test Load and Waveforms for Open Drain B<sub>1</sub> - B<sub>7</sub>

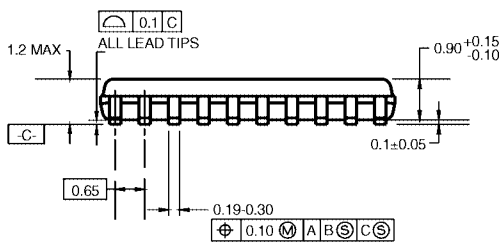


**Physical Dimensions** inches (millimeters) unless otherwise noted (Continued)

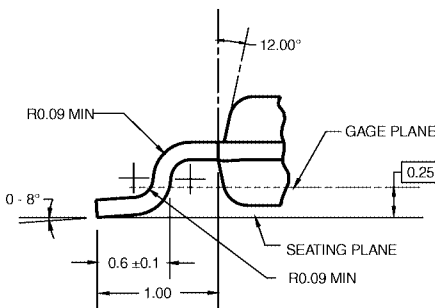
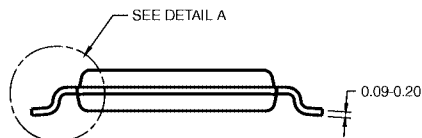


PIN #1 IDENT.

LAND PATTERN RECOMMENDATION



DIMENSIONS ARE IN MILLIMETERS



DETAIL A

NOTES:

- A. CONFORMS TO JEDEC REGISTRATION MO-153, VARIATION AC, REF NOTE 6, DATE 7/93.
- B. DIMENSIONS ARE IN MILLIMETERS.
- C. DIMENSIONS ARE EXCLUSIVE OF BURRS, MOLD FLASH, AND TIE BAR EXTRUSIONS.
- D. DIMENSIONS AND TOLERANCES PER ANSI Y14.5M, 1982.

MTC20RevD1

**20-Lead Thin Shrink Small Outline Package (TSSOP), JEDEC MO-153, 4.4mm Wide  
Package Number MTC20**

Fairchild does not assume any responsibility for use of any circuitry described, no circuit patent licenses are implied and Fairchild reserves the right at any time without notice to change said circuitry and specifications.

**LIFE SUPPORT POLICY**

FAIRCHILD'S PRODUCTS ARE NOT AUTHORIZED FOR USE AS CRITICAL COMPONENTS IN LIFE SUPPORT DEVICES OR SYSTEMS WITHOUT THE EXPRESS WRITTEN APPROVAL OF THE PRESIDENT OF FAIRCHILD SEMICONDUCTOR CORPORATION. As used herein:

1. Life support devices or systems are devices or systems which, (a) are intended for surgical implant into the body, or (b) support or sustain life, and (c) whose failure to perform when properly used in accordance with instructions for use provided in the labeling, can be reasonably expected to result in a significant injury to the user.
2. A critical component in any component of a life support device or system whose failure to perform can be reasonably expected to cause the failure of the life support device or system, or to affect its safety or effectiveness.

[www.fairchildsemi.com](http://www.fairchildsemi.com)



ON Semiconductor and  are trademarks of Semiconductor Components Industries, LLC dba ON Semiconductor or its subsidiaries in the United States and/or other countries. ON Semiconductor owns the rights to a number of patents, trademarks, copyrights, trade secrets, and other intellectual property. A listing of ON Semiconductor's product/patent coverage may be accessed at [www.onsemi.com/site/pdf/Patent-Marking.pdf](http://www.onsemi.com/site/pdf/Patent-Marking.pdf). ON Semiconductor reserves the right to make changes without further notice to any products herein. ON Semiconductor makes no warranty, representation or guarantee regarding the suitability of its products for any particular purpose, nor does ON Semiconductor assume any liability arising out of the application or use of any product or circuit, and specifically disclaims any and all liability, including without limitation special, consequential or incidental damages. Buyer is responsible for its products and applications using ON Semiconductor products, including compliance with all laws, regulations and safety requirements or standards, regardless of any support or applications information provided by ON Semiconductor. "Typical" parameters which may be provided in ON Semiconductor data sheets and/or specifications can and do vary in different applications and actual performance may vary over time. All operating parameters, including "Typicals" must be validated for each customer application by customer's technical experts. ON Semiconductor does not convey any license under its patent rights nor the rights of others. ON Semiconductor products are not designed, intended, or authorized for use as a critical component in life support systems or any FDA Class 3 medical devices or medical devices with a same or similar classification in a foreign jurisdiction or any devices intended for implantation in the human body. Should Buyer purchase or use ON Semiconductor products for any such unintended or unauthorized application, Buyer shall indemnify and hold ON Semiconductor and its officers, employees, subsidiaries, affiliates, and distributors harmless against all claims, costs, damages, and expenses, and reasonable attorney fees arising out of, directly or indirectly, any claim of personal injury or death associated with such unintended or unauthorized use, even if such claim alleges that ON Semiconductor was negligent regarding the design or manufacture of the part. ON Semiconductor is an Equal Opportunity/Affirmative Action Employer. This literature is subject to all applicable copyright laws and is not for resale in any manner.

## PUBLICATION ORDERING INFORMATION

### LITERATURE FULFILLMENT:

Literature Distribution Center for ON Semiconductor  
19521 E. 32nd Pkwy, Aurora, Colorado 80011 USA  
**Phone:** 303-675-2175 or 800-344-3860 Toll Free USA/Canada  
**Fax:** 303-675-2176 or 800-344-3867 Toll Free USA/Canada  
**Email:** [orderlit@onsemi.com](mailto:orderlit@onsemi.com)

**N. American Technical Support:** 800-282-9855 Toll Free  
USA/Canada  
**Europe, Middle East and Africa Technical Support:**  
Phone: 421 33 790 2910  
**Japan Customer Focus Center**  
Phone: 81-3-5817-1050

**ON Semiconductor Website:** [www.onsemi.com](http://www.onsemi.com)  
**Order Literature:** <http://www.onsemi.com/orderlit>  
For additional information, please contact your local  
Sales Representative