



Is Now Part of



**ON Semiconductor®**

To learn more about ON Semiconductor, please visit our website at  
[www.onsemi.com](http://www.onsemi.com)

Please note: As part of the Fairchild Semiconductor integration, some of the Fairchild orderable part numbers will need to change in order to meet ON Semiconductor's system requirements. Since the ON Semiconductor product management systems do not have the ability to manage part nomenclature that utilizes an underscore (\_), the underscore (\_) in the Fairchild part numbers will be changed to a dash (-). This document may contain device numbers with an underscore (\_). Please check the ON Semiconductor website to verify the updated device numbers. The most current and up-to-date ordering information can be found at [www.onsemi.com](http://www.onsemi.com). Please email any questions regarding the system integration to [Fairchild\\_questions@onsemi.com](mailto:Fairchild_questions@onsemi.com).

ON Semiconductor and the ON Semiconductor logo are trademarks of Semiconductor Components Industries, LLC dba ON Semiconductor or its subsidiaries in the United States and/or other countries. ON Semiconductor owns the rights to a number of patents, trademarks, copyrights, trade secrets, and other intellectual property. A listing of ON Semiconductor's product/patent coverage may be accessed at [www.onsemi.com/site/pdf/Patent-Marking.pdf](http://www.onsemi.com/site/pdf/Patent-Marking.pdf). ON Semiconductor reserves the right to make changes without further notice to any products herein. ON Semiconductor makes no warranty, representation or guarantee regarding the suitability of its products for any particular purpose, nor does ON Semiconductor assume any liability arising out of the application or use of any product or circuit, and specifically disclaims any and all liability, including without limitation special, consequential or incidental damages. Buyer is responsible for its products and applications using ON Semiconductor products, including compliance with all laws, regulations and safety requirements or standards, regardless of any support or applications information provided by ON Semiconductor. "Typical" parameters which may be provided in ON Semiconductor data sheets and/or specifications can and do vary in different applications and actual performance may vary over time. All operating parameters, including "Typicals" must be validated for each customer application by customer's technical experts. ON Semiconductor does not convey any license under its patent rights nor the rights of others. ON Semiconductor products are not designed, intended, or authorized for use as a critical component in life support systems or any FDA Class 3 medical devices or medical devices with a same or similar classification in a foreign jurisdiction or any devices intended for implantation in the human body. Should Buyer purchase or use ON Semiconductor products for any such unintended or unauthorized application, Buyer shall indemnify and hold ON Semiconductor and its officers, employees, subsidiaries, affiliates, and distributors harmless against all claims, costs, damages, and expenses, and reasonable attorney fees arising out of, directly or indirectly, any claim of personal injury or death associated with such unintended or unauthorized use, even if such claim alleges that ON Semiconductor was negligent regarding the design or manufacture of the part. ON Semiconductor is an Equal Opportunity/Affirmative Action Employer. This literature is subject to all applicable copyright laws and is not for resale in any manner.



# FSA2276 — DPDT (0.5 Ω) HiFi Audio Switch w/ Negative Swing

## Features

- V<sub>DD</sub> Operating Range: 1.65 to 5.5 V
- External Capacitor Connection for Pop and Click Noise Suppression
- Power-Off Protection on Common Ports
- R<sub>ON</sub> = 0.5 Ω (Typ.) at 1.8 V
- THD+N = -115 dB; 2 V<sub>RMS</sub>, 20 kΩ Load; f = 1 kHz
- X<sub>TALK</sub> = -122 dB at 1 V<sub>RMS</sub>, 50 Ω Load; f = 1 kHz
- Off Isolation = -115 dB at 1 V<sub>RMS</sub>, 50 Ω Load; f = 1 kHz
- 12-Lead UMLP 1.8 mm x 1.8 mm

## Applications

- Mobile Phone, Tablet, Notebook PC, Media Player
- Docking Station, TV, Set-Top Box, LCD Monitor

## Description

The FSA2276 is a high-performance, Double-Pole Double-Throw (DPDT) analog switch with negative swing audio capability. The FSA2276 features ultra-low audio R<sub>ON</sub> of 0.5 Ω (typical) at 1.8 V V<sub>DD</sub>. The FSA2276 operates over a V<sub>DD</sub> range of 1.65 V to 5.5 V, is fabricated with sub-micron CMOS technology to achieve fast switching speeds, and is designed for break-before-make operation. To minimize pop and click during operation, the turn on ramp time is selectable using an external capacitor (C\_EXT).

The FSA2276 features THD+N specifications that target a Hi-Fidelity audio quality into both 32 Ω headphones and line out type loads (>600 Ω).

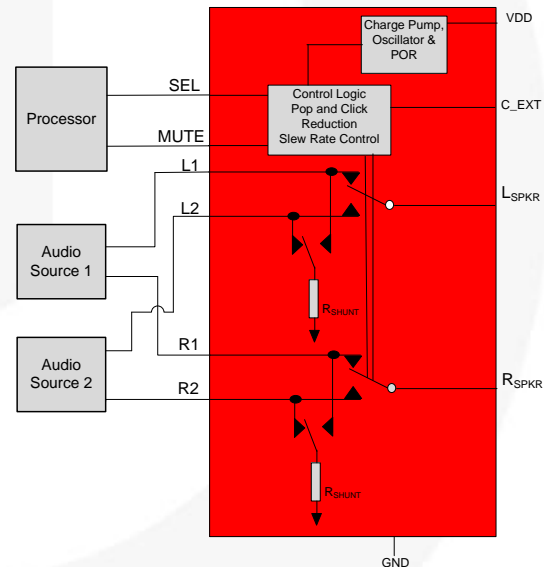


Figure 1. Application Block Diagram

## Ordering Information

Part Number	Top Mark	Package Description
FSA2276UMX	EN	12-Lead, UMLP, Quad, JEDEC MO252, 1.8 mm x 1.8 mm

## Pin Configuration

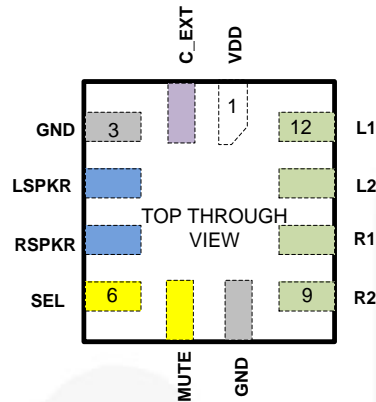


Figure 2. Pin Assignment (Top Through View)

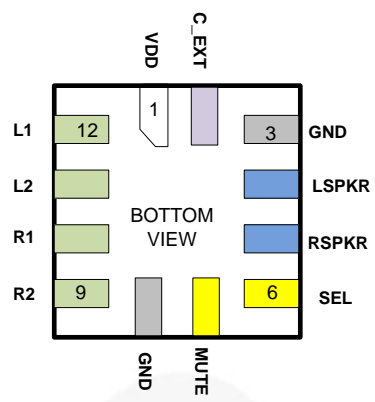


Figure 3. Pin Assignment (Bottom View)

## Pin Descriptions

Pin	Name	Description
1	VDD	Power Supply (1.65 to 5.5 V)
2	C_EXT	Slow Turn On External Capacitor
3	GND	Ground
4	LSPKR	Audio L <sub>SPPKR</sub> Common I/O Port
5	RSPKR	Audio R <sub>SPPKR</sub> Common I/O Port
6	SEL	Select Pin
7	MUTE	Mute Enable - Active High
8	GND	Ground
9	R2	Audio – Right Channel Source2 I/O Port
10	R1	Audio – Right Channel Source1 I/O Port
11	L2	Audio – Left Channel Source2 I/O Port
12	L1	Audio – Left Channel Source1 I/O Port

## Truth Table

Mute	SEL	Function	Resistor Terminations
0	0	L1 = L <sub>SPKR</sub> ; R1 = R <sub>SPKR</sub>	R <sub>SHUNT(s)</sub> connect to L2/R2
0	1	L2 = L <sub>SPKR</sub> ; R2 = R <sub>SPKR</sub>	R <sub>SHUNT(s)</sub> connect to L1/R1
1	0	L1 ≠ L <sub>SPKR</sub> ; L2 ≠ L <sub>SPKR</sub> ; R1 ≠ R <sub>SPKR</sub> ; R2 ≠ R <sub>SPKR</sub> (All Paths Hi-Z)	R <sub>SHUNT(s)</sub> OPEN
1	1	L1 ≠ L <sub>SPKR</sub> ; L2 ≠ L <sub>SPKR</sub> ; R1 ≠ R <sub>SPKR</sub> ; R2 ≠ R <sub>SPKR</sub> (All Paths Hi-Z)	R <sub>SHUNT(s)</sub> OPEN

## Absolute Maximum Ratings

Stresses exceeding the absolute maximum ratings may damage the device. The device may not function or be operable above the recommended operating conditions and stressing the parts to these levels is not recommended. In addition, extended exposure to stresses above the recommended operating conditions may affect device reliability. The absolute maximum ratings are stress ratings only.

Symbol	Parameter		Min.	Max.	Unit
V <sub>DD</sub>	Supply/Control Voltage		-0.3	6.0	V
V <sub>CNTRL</sub>	Control Input Voltage	SEL, MUTE	-0.3	6.0	V
V <sub>SW</sub>	DC Switch I/O Voltage	L1, L2, R1, R2, L <sub>SPKR</sub> , R <sub>SPKR</sub>	-3.5	3.5	V
I <sub>IK</sub>	ESD Input Diode Current			-50	mA
I <sub>SW</sub>	Switch I/O Current			700	mA
ESD	Human Body Model, ANSI/ESDA/ JEDEC JS-001-2012	All Pins	5		kV
	Charged Device Model, JEDEC: JESD22-C101		2		
	IEC 61000-4-2 System	Contact	8		
		Air Gap	15		
T <sub>A</sub>	Absolute Maximum Operating Temperature		-40	+85	°C
T <sub>STG</sub>	Storage Temperature		-65	+150	°C

## Recommended Operating Conditions

The Recommended Operating Conditions table defines the conditions for actual device operation. Recommended operating conditions are specified to ensure optimal performance. Fairchild does not recommend exceeding them or designing to Absolute Maximum Ratings.

Symbol	Parameter		Min.	Typ.	Max.	Unit
V <sub>DD</sub>	Supply Voltage		1.65	1.80	5.50	V
V <sub>SW</sub>	DC Switch I/O Voltage	L1, L2, R1, R2, L <sub>SPKR</sub> , R <sub>SPKR</sub>	-3.0		3.0	V
V <sub>CNTRL</sub>	Control Input Voltage	SEL, MUTE	0		V <sub>DD</sub>	V
I <sub>SW</sub>	DC Switch I/O Current			100		mA
T <sub>A</sub>	Ambient Operating Temperature		-40	25	+85	°C

**DC Characteristics**

$V_{DD} = 1.65 \text{ V to } 5.5 \text{ V}$ ,  $V_{DD} (\text{Typ.}) = 1.8 \text{ V}$ ,  $T_A = -40^\circ\text{C to } 85^\circ\text{C}$ , and  $T_A (\text{Typ.}) = 25^\circ\text{C}$ , unless otherwise specified.<sup>(1)</sup>

Symbol	Parameter	Condition	$V_{DD}$ (V)	$T_A = -40^\circ\text{C to } +85^\circ\text{C}$			Unit
				Min.	Typ.	Max.	
$V_{IH}$	VCNTRL Pin Input High Voltage (SEL, MUTE)	C_EXT = FLOAT		1.17		VDD	V
$V_{IL}$	VCNTRL Pin Input Low Voltage (SEL, MUTE)	C_EXT = FLOAT C_EXT = FLOAT		0		0.5	V
$I_{ON}$	Switch-to-Gnd ON Leakage Current	L1, R1, L2, R2 = -3 V to 3 V, $L_{SPKR}$ , $R_{SPKR}$ = Float ( $I_{SW} = 0 \text{ mA}$ ) MUTE=LOW, SEL=0 or VDD C_EXT = FLOAT, Figure 6	1.65 to 5.5	-1.0	0.1	1.0	$\mu\text{A}$
$I_{NO\_MUTE}$	Switch-to-Gnd OFF Leakage Current (when Muted)	L1, R1, L2, R2 = -3 V to 3 V, $L_{SPKR}$ , $R_{SPKR}$ = Float ( $I_{SW} = 0 \text{ mA}$ ) MUTE = HIGH, SEL = 0 or VDD C_EXT = FLOAT, Figure 5	1.65 to 5.5	-1.0	0.1	1.0	$\mu\text{A}$
$I_{OFF}$	Input Leakage Current <sup>(2)</sup>	L1, R1, L2, R2 = -3 V to 3 V, $L_{SPKR}$ , $R_{SPKR}$ = Float ( $I_{SW} = 0 \text{ mA}$ ) MUTE = LOW, SEL = 0 or VDD, C_EXT = FLOAT	0	-1.0	0.1	1.0	$\mu\text{A}$
$I_{IN}$	Control Input Leakage Current <sup>(3)</sup> (SEL, MUTE)	L1, R1, L2, R2 = -3 V to 3 V, $L_{SPKR}$ , $R_{SPKR}$ = Float ( $I_{SW} = 0 \text{ mA}$ ), C_EXT = FLOAT	1.65 to 5.5	-0.5	0.1	0.5	$\mu\text{A}$
$I_{DD}$	VDD Supply Current	MUTE = LOW, SEL = 0 or VDD, C_EXT = FLOAT	5.5		16	30	$\mu\text{A}$
$I_{DDZ}$	VDD Hi-Z Supply Current	MUTE = HIGH, SEL = 0 or VDD, C_EXT = FLOAT	5.5			1	$\mu\text{A}$
$I_{DDT}$	Increase in IDD per Control Voltage	MUTE = LOW, SEL = 0 or 1.8 V SEL = LOW, MUTE = 0 or 1.8 V C_EXT = FLOAT	5.5			1	$\mu\text{A}$
$R_{ON}$	Switch On Resistance	$I_{SW} = 100 \text{ mA}$ , $V_{SW} = -3 \text{ V to } 3 \text{ V}$ C_EXT = FLOAT, Figure 4	1.65 to 5.5		0.5	1.0	$\Omega$
$\Delta R_{ON}$	On Resistance Matching, Channel to Channel	$I_{SW} = 100 \text{ mA}$ , $V_{SW} = -3 \text{ V to } 3 \text{ V}$ C_EXT = FLOAT	1.65 to 5.5		30		$\text{m}\Omega$
$R_{FLAT}$	On Resistance Flatness	$I_{SW} = 100 \text{ mA}$ , $V_{SW} = -3 \text{ V to } 3 \text{ V}$ C_EXT = FLOAT	1.65 to 5.5		1		$\text{m}\Omega$
$R_{SHUNT}$	Click and Pop Resistance (L1, L2, R1, R2, $L_{SPKR}$ , $R_{SPKR}$ )	$V_{LX\_RX} = 3.0 \text{ V}$ , MUTE = 0, SEL = 0 or VDD, C_EXT = FLOAT		6	10	14	$\text{k}\Omega$

**Notes:**

- Limits over the recommended temperature operating range ( $T_A = -40^\circ\text{C to } +85^\circ\text{C}$ ) are correlated by statistical quality.
- Only valid for  $V_{SW} > 0 \text{ V}$ .
- $V_{MUTE} \leq V_{DD} + 0.3$  otherwise additional input leakage current may flow.

### AC Characteristics

$V_{DD} = 1.65 \text{ V to } 5.5 \text{ V}$ ,  $V_{DD} (\text{Typ.}) = 1.8 \text{ V}$ .  $T_A = -40^\circ\text{C to } 85^\circ\text{C}$ .  $T_A (\text{Typ.}) = 25^\circ\text{C}$ , unless otherwise specified.

Symbol	Parameter	Condition		$V_{DD} (\text{V})$	$T_A = -40^\circ\text{C to } +85^\circ\text{C}$			Unit
					Min.	Typ.	Max.	
$t_{\text{MUTE\_ON}}$	Enable Time (MUTE to Output)	L1 = R1 = L2 = R2 = 1.5 V, $L_{\text{SPKR}}$ , $R_{\text{SPKR}} = 50 \Omega$ to GND, SEL = 0 or $V_{DD}$ ; See Figure 7 and Figure 8	C_EXT = Float	1.8, 3.3		0.5		ms
			C_EXT = 0.1 $\mu\text{F}$	1.8		60		
			C_EXT = 0.1 $\mu\text{F}$	3.3		100		
$t_{\text{ON\_MUTE}}$	Disable Time (MUTE to Output)	L1 = R1 = L2 = R2 = 1.5 V, $L_{\text{SPKR}}$ , $R_{\text{SPKR}} = 50 \Omega$ to GND, SEL = 0 or $V_{DD}$ ; See Figure 7 and Figure 8	C_EXT = Float	1.8, 3.3		35		$\mu\text{s}$
			C_EXT = 0.1 $\mu\text{F}$			35		
$t_{\text{ON\_SEL}}$	Turn On Time (SEL to Output)	L1 (L2) = R1 (R2) = 1.5 V, L2 (L1) = R2 (R1) = 0 V, $L_{\text{SPKR}}$ , $R_{\text{SPKR}} = 50 \Omega$ to GND, SEL = 0 or $V_{DD}$ ; MUTE = 0 See Figure 7 and Figure 8	C_EXT = Float	1.8, 3.3		0.5		ms
			C_EXT = 0.1 $\mu\text{F}$	1.8		50		
			C_EXT = 0.1 $\mu\text{F}$	3.3		100		
$t_{\text{OFF\_SEL}}$	Turn On Time (SEL to Output)	L1 (L2) = R1 (R2) = 1.5 V, L2 (L1) = R2 (R1) = 0 V, $L_{\text{SPKR}}$ , $R_{\text{SPKR}} = 50 \Omega$ to GND, SEL = 0 or $V_{DD}$ ; MUTE = 0 See Figure 7 and Figure 8	C_EXT = Float	1.8, 3.3		20		$\mu\text{s}$
			C_EXT = 0.1 $\mu\text{F}$			20		
$t_{\text{BBM}}$	Break Before Make Time (SEL to Output)	L1 (L2) = R1 (R2) = 1.5 V, $L_{\text{SPKR}}$ , $R_{\text{SPKR}} = 50 \Omega$ to GND, SEL = 0 or $V_{DD}$ ; C_EXT = FLOAT, MUTE = 0 V; See Figure 7 and Figure 9		1.8, 3.3		500		$\mu\text{s}$
$O_{\text{IRR}}$	Off Isolation <sup>(4)</sup>	f = 1 kHz, $R_L = 50 \Omega$ , $C_L = 0 \text{ pF}$ , MUTE = 0 $V_{\text{SW}} = 1 V_{\text{RMS}}$ Figure 11		1.8, 3.3		-115		dB
		f = 1 MHz, $R_L = 50 \Omega$ , $C_L = 0 \text{ pF}$ , MUTE = 0 $V_{\text{SW}} = 1 V_{\text{RMS}}$ Figure 11				-92		
$O_{\text{IRRM}}$	Off Isolation-Muted <sup>(4)</sup>	f = 1 kHz, $R_L = 50 \Omega$ , $C_L = 0 \text{ pF}$ , MUTE = $V_{DD}$ ; $V_{\text{SW}} = 1 V_{\text{RMS}}$ Figure 11		1.8, 3.3		-113		dB
		f = 1 MHz, $R_L = 50 \Omega$ , $C_L = 0 \text{ pF}$ , MUTE = $V_{DD}$ ; $V_{\text{SW}} = 1 V_{\text{RMS}}$ Figure 11				-95		
$X_{\text{TALK}}$	Cross Talk (Adjacent) <sup>(4)</sup>	f = 1 kHz, $R_L = 50 \Omega$ , $V_{\text{SW}} = 1 V_{\text{RMS}}$ Figure 12		1.8, 3.3		-122		dB
BW	-3 dB Bandwidth <sup>(4)</sup>	$R_L = 50 \Omega$ Figure 10		1.8, 3.3		380		MHz
PSRR	Power Supply Rejection Ratio <sup>(4)</sup>	$V_{\text{PSRR}} = V_{DD} + 100 \text{ mV}_{\text{RMS}}$ , $R_L = 20 \text{ k}\Omega$ or $32 \Omega$ ( at $L_{\text{SPKR}}$ , $R_{\text{SPKR}}$ ), MUTE = 0 or $V_{DD}$ , f = 1 kHz, $V_{\text{SW}} = \text{GND}$ or Float)	$R_L = 32 \Omega$	1.8, 3.3		-119		dB
			$R_L = 20 \text{ k}\Omega$			-105		
THD+N	Total Harmonic Distortion + Noise <sup>(4)</sup>	$R_L = 20 \text{ k}\Omega$ , f = 1 kHz, $V_{\text{SW}} = 2 V_{\text{RMS}}$ , With A-weighted, Figure 15				0.00018		%
						-115		dB
			$R_L = 600 \Omega$ , f = 1 kHz, $V_{\text{SW}} = 2 V_{\text{RMS}}$ With A-weighted, Figure 15			0.00018		%
						-115		dB
			$R_L = 32 \Omega$ , f = 1 kHz, $V_{\text{SW}} = 1 V_{\text{RMS}}$ , With A-weighted, Figure 15			0.00018		%
						-115		dB

**Note:**

4. Guaranteed by characterization. Not production tested.

## Capacitance

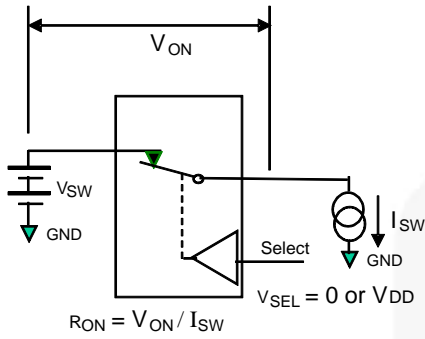
Unless otherwise stated,  $V_{DD} = 1.65\text{ V to }5.5\text{ V}$ ,  $V_{DD}(\text{Typ.}) = 1.8\text{ V}$ ,  $T_A = -40^\circ\text{C to }85^\circ\text{C}$ , and  $T_A(\text{Typ.}) = 25^\circ\text{C}$ .<sup>(5)</sup>

Symbol	Parameter	Condition	$V_{DD}$ (V)	$T_A = -40^\circ\text{C to }+85^\circ\text{C}$			Unit
				Min.	Typ.	Max.	
$C_{ON}$	On Capacitance (Common Port) <sup>(6)</sup>	$f = 1\text{ MHz}$ , $100\text{ mV}_{PK-PK}$ , $100\text{ mV}$ DC bias MUTE = 0 V Figure 14	1.8, 3.3		22		pF
$C_{OFF1}$	Off Capacitance (Common Port) <sup>(6)</sup>	$f = 1\text{ MHz}$ , $100\text{ mV}_{PK-PK}$ , $100\text{ mV}$ DC bias MUTE = $V_{DD}$ Figure 13	1.8, 3.3		25		pF
$C_{OFF2}$	Off Capacitance (Non-Common Ports) <sup>(6)</sup>	$f = 1\text{ MHz}$ , $100\text{ mV}_{PK-PK}$ , $100\text{ mV}$ DC bias MUTE = 0 V Figure 13	1.8, 3.3		14		pF
$C_{OFF\_MUTE}$	Off Capacitance - MUTED (Non-Common Ports) <sup>(6)</sup>	$f = 1\text{ MHz}$ , $100\text{ mV}_{PK-PK}$ , $100\text{ mV}$ DC bias, MUTE = $V_{DD}$	1.8, 3.3		14		pF
$C_{CNTRL}$	Control Input Pin Capacitance (MUTE, SEL) <sup>(6)</sup>	$f = 1\text{ MHz}$ , $100\text{ mV}_{PP}$ , $100\text{ mV}$ DC bias	0		3		pF
				SEL		6	

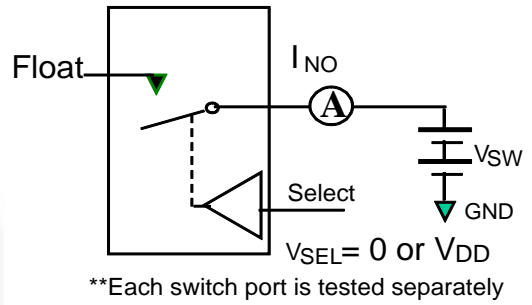
### Notes:

5. Limits over the recommended temperature operating range ( $T_A = -40^\circ\text{C to }+85^\circ\text{C}$ ) are correlated by statistical quality control methods.
6. Guaranteed by characterization. Not production tested.

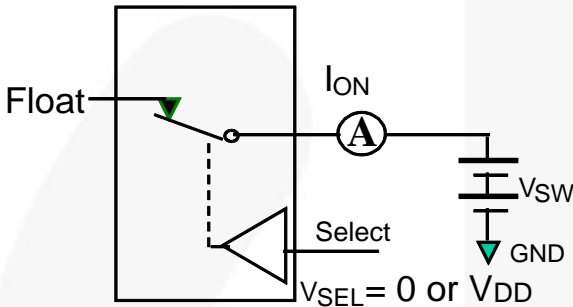
**Test Diagrams**



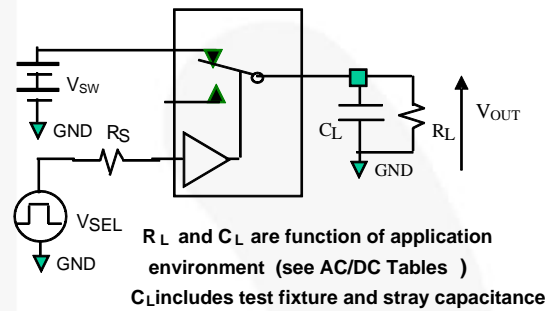
**Figure 4. On Resistance**



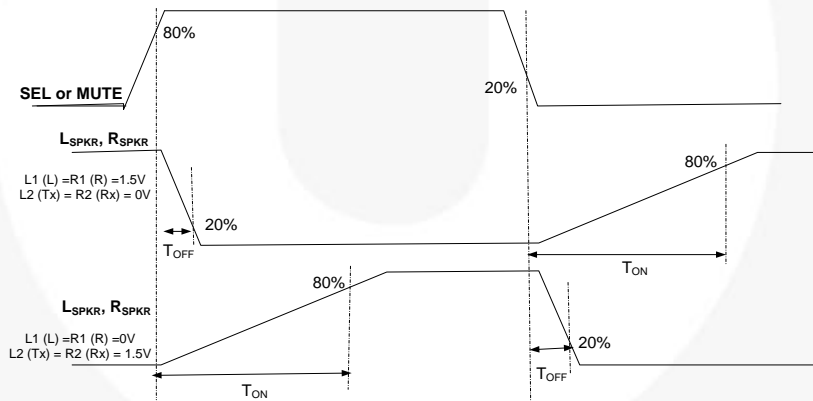
**Figure 5. Off Leakage**



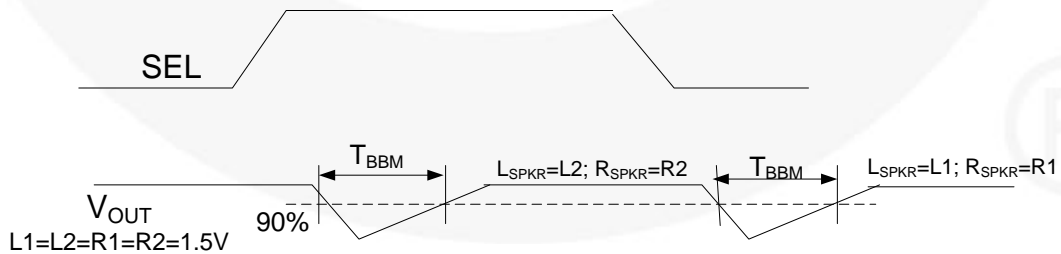
**Figure 6. On Leakage**



**Figure 7. Test Circuit Load**



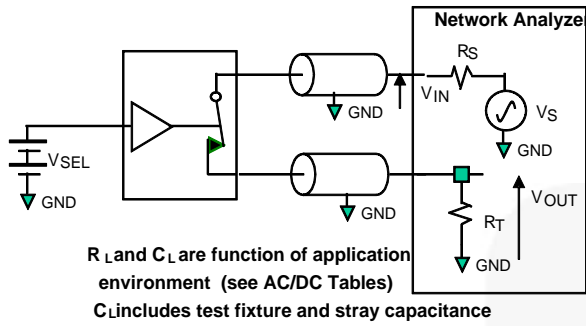
**Figure 8. Turn On/Off Waveforms (SEL or MUTE to Output)**



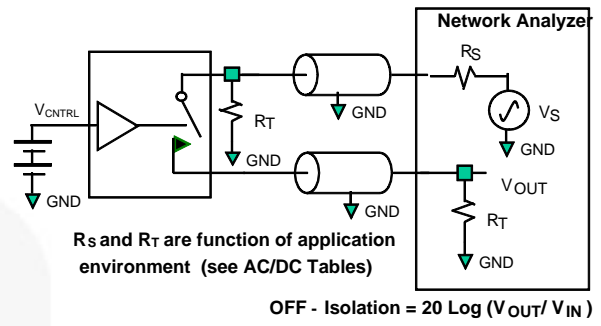
**Figure 9. Break Before Make Interval Timing**



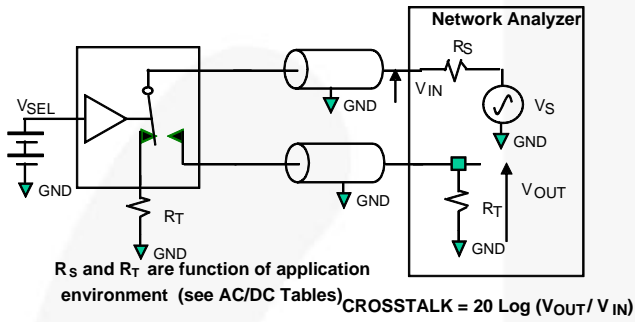
**Test Diagrams (Continued)**



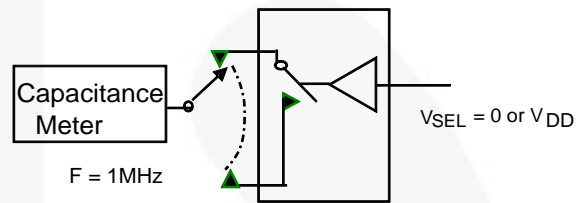
**Figure 10. Bandwidth**



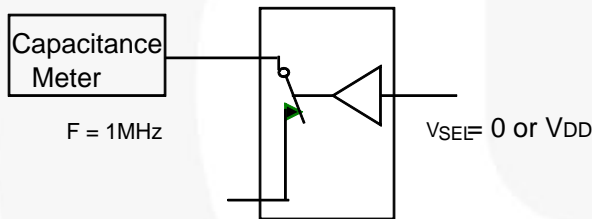
**Figure 11. Channel Off Isolation**



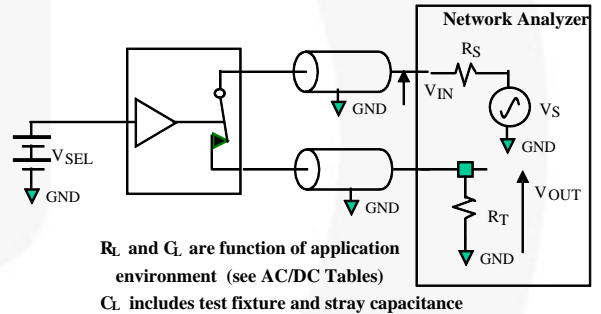
**Figure 12. Adjacent Channel Crosstalk**



**Figure 13. Channel Off Capacitance**

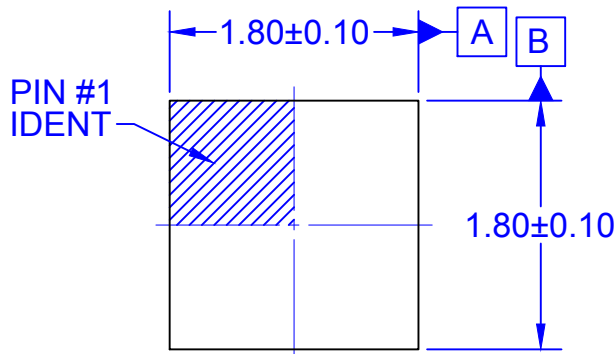


**Figure 14. Channel On Capacitance**

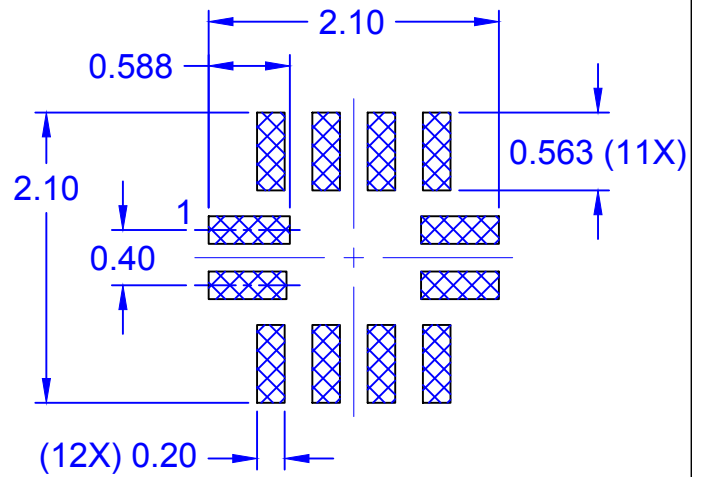


**Figure 15. Total Harmonic Distortion (THD+N)**

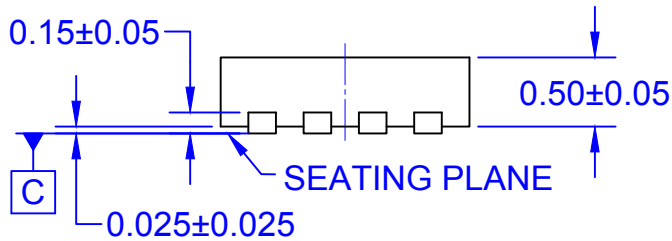




TOP VIEW



RECOMMENDED LAND PATTERN

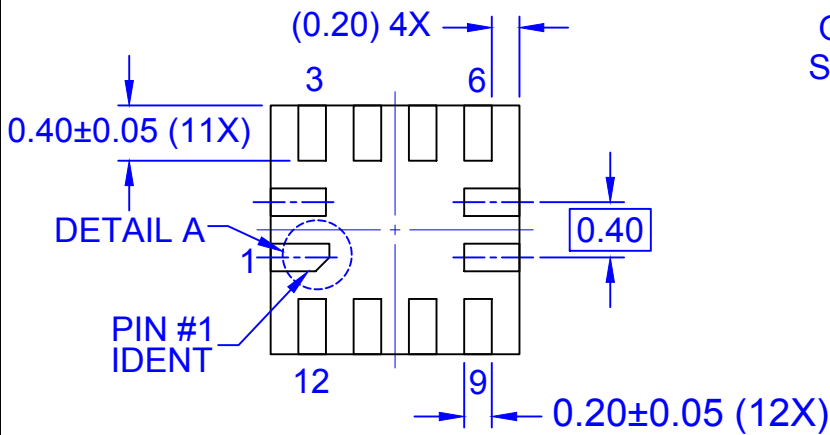


SIDE VIEW



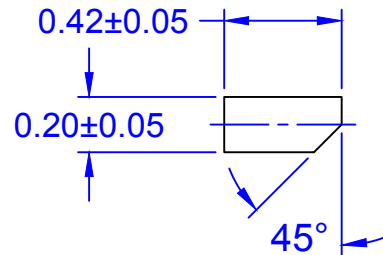
LEAD  
OPTION 1  
SCALE 2:1

LEAD  
OPTION 2  
SCALE 2:1



BOTTOM VIEW

⊕	0.10	C	A	B
	0.05	C		



DETAIL A  
SCALE 2:1

NOTES:

- A. PACKAGE DOES NOT CONFORM TO ANY JEDEC STANDARD.
- B. DIMENSIONS ARE IN MILLIMETERS.
- C. LAND PATTERN RECOMMENDATION IS EXISTING INDUSTRY LAND PATTERN.
- D. DRAWING FILENAME: MKT-UMLP12ArevF

**ON Semiconductor**



ON Semiconductor and  are trademarks of Semiconductor Components Industries, LLC dba ON Semiconductor or its subsidiaries in the United States and/or other countries. ON Semiconductor owns the rights to a number of patents, trademarks, copyrights, trade secrets, and other intellectual property. A listing of ON Semiconductor's product/patent coverage may be accessed at [www.onsemi.com/site/pdf/Patent-Marking.pdf](http://www.onsemi.com/site/pdf/Patent-Marking.pdf). ON Semiconductor reserves the right to make changes without further notice to any products herein. ON Semiconductor makes no warranty, representation or guarantee regarding the suitability of its products for any particular purpose, nor does ON Semiconductor assume any liability arising out of the application or use of any product or circuit, and specifically disclaims any and all liability, including without limitation special, consequential or incidental damages. Buyer is responsible for its products and applications using ON Semiconductor products, including compliance with all laws, regulations and safety requirements or standards, regardless of any support or applications information provided by ON Semiconductor. "Typical" parameters which may be provided in ON Semiconductor data sheets and/or specifications can and do vary in different applications and actual performance may vary over time. All operating parameters, including "Typicals" must be validated for each customer application by customer's technical experts. ON Semiconductor does not convey any license under its patent rights nor the rights of others. ON Semiconductor products are not designed, intended, or authorized for use as a critical component in life support systems or any FDA Class 3 medical devices or medical devices with a same or similar classification in a foreign jurisdiction or any devices intended for implantation in the human body. Should Buyer purchase or use ON Semiconductor products for any such unintended or unauthorized application, Buyer shall indemnify and hold ON Semiconductor and its officers, employees, subsidiaries, affiliates, and distributors harmless against all claims, costs, damages, and expenses, and reasonable attorney fees arising out of, directly or indirectly, any claim of personal injury or death associated with such unintended or unauthorized use, even if such claim alleges that ON Semiconductor was negligent regarding the design or manufacture of the part. ON Semiconductor is an Equal Opportunity/Affirmative Action Employer. This literature is subject to all applicable copyright laws and is not for resale in any manner.

## PUBLICATION ORDERING INFORMATION

### LITERATURE FULFILLMENT:

Literature Distribution Center for ON Semiconductor  
19521 E. 32nd Pkwy, Aurora, Colorado 80011 USA  
**Phone:** 303-675-2175 or 800-344-3860 Toll Free USA/Canada  
**Fax:** 303-675-2176 or 800-344-3867 Toll Free USA/Canada  
**Email:** [orderlit@onsemi.com](mailto:orderlit@onsemi.com)

**N. American Technical Support:** 800-282-9855 Toll Free  
USA/Canada  
**Europe, Middle East and Africa Technical Support:**  
Phone: 421 33 790 2910  
**Japan Customer Focus Center**  
Phone: 81-3-5817-1050

**ON Semiconductor Website:** [www.onsemi.com](http://www.onsemi.com)  
**Order Literature:** <http://www.onsemi.com/orderlit>  
For additional information, please contact your local  
Sales Representative