

# MC100EP195B

## 3.3V ECL Programmable Delay Chip

### Descriptions

The MC100EP195B is a Programmable Delay Chip (PDC) designed primarily for clock deskewing and timing adjustment. It provides variable delay of a differential NECL/PECL input transition.

The delay section consists of a programmable matrix of gates and multiplexers as shown in the logic diagram, Figure 2. The delay increment of the EP195B has a digitally selectable resolution of about 10 ps and a net range of up to 10.2 ns. The required delay is selected by the 10 data select inputs D[9:0] values and controlled by the LEN (pin 10). A LOW level on LEN allows a transparent LOAD mode of real time delay values by D[9:0]. A LOW to HIGH transition on LEN will LOCK and HOLD current values present against any subsequent changes in D[10:0]. The approximate delay values for varying tap numbers correlating to D0 (LSB) through D9 (MSB) are shown in Table 6 and Figure 3.

The IN/ $\overline{\text{IN}}$  inputs can accept LVPECL (SE of Diff), or LVDS level signals. Because the EP195B is designed using a chain of multiplexers it has a fixed minimum delay of 2.2 ns. An additional pin D10 is provided for controlling Pins 14 and 15, CASCADE and  $\overline{\text{CASCADE}}$ , also latched by LEN, in cascading multiple PDCs for increased programmable range. The cascade logic allows full control of multiple PDCs. Switching devices from all "1" states on D[0:9] with SETMAX LOW to all "0" states on D[0:9] with SETMAX HIGH will increase the delay equivalent to "D0", the minimum increment.

Select input pins D[10:0] may be threshold controlled by combinations of interconnects between  $V_{\text{EF}}$  (pin 7) and  $V_{\text{CF}}$  (pin 8) for LVC MOS, ECL, or LV TTL level signals. For LVC MOS input levels, leave  $V_{\text{CF}}$  and  $V_{\text{EF}}$  open. For ECL operation, short  $V_{\text{CF}}$  and  $V_{\text{EF}}$  (Pins 7 and 8). For LV TTL level operation, connect a 1.5 V supply reference to  $V_{\text{CF}}$  and leave open  $V_{\text{EF}}$  pin. The 1.5 V reference voltage to  $V_{\text{CF}}$  pin can be accomplished by placing a 2.2 k $\Omega$  resistor between  $V_{\text{CF}}$  and  $V_{\text{EE}}$  for a 3.3 V power supply.

The  $V_{\text{BB}}$  pin, an internally generated voltage supply, is available to this device only. For single-ended input conditions, the unused differential input is connected to  $V_{\text{BB}}$  as a switching reference voltage.  $V_{\text{BB}}$  may also rebias AC coupled inputs. When used, decouple  $V_{\text{BB}}$  and  $V_{\text{CC}}$  via a 0.01  $\mu\text{F}$  capacitor and limit current sourcing or sinking to 0.5 mA. When not used,  $V_{\text{BB}}$  should be left open.

The 100 Series contains temperature compensation.

### Features

- Maximum Input Clock Frequency >1.2 GHz Typical
- Programmable Range: 0 ns to 10 ns
- Delay Range: 2.2 ns to 12.2 ns
- 10 ps Increments
- PECL Mode Operating Range:  
 $V_{\text{CC}} = 3.0 \text{ V to } 3.6 \text{ V with } V_{\text{EE}} = 0 \text{ V}$
- NECL Mode Operating Range:  
 $V_{\text{CC}} = 0 \text{ V with } V_{\text{EE}} = -3.0 \text{ V to } -3.6 \text{ V}$
- IN/ $\overline{\text{IN}}$  Inputs Accept LVPECL, LVNECL, LVDS Levels
- A Logic High on the  $\overline{\text{EN}}$  Pin Will Force Q to Logic Low
- D[10:0] Can Select Either LVPECL, LVC MOS, or LV TTL Input Levels
- $V_{\text{BB}}$  Output Reference Voltage
- These are Pb-Free Devices



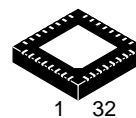
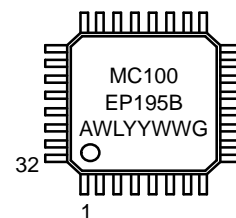
ON Semiconductor®

<http://onsemi.com>

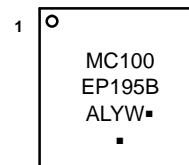
### MARKING DIAGRAMS\*



LQFP-32  
FA SUFFIX  
CASE 873A



QFN32  
MN SUFFIX  
CASE 488AM



A = Assembly Location  
WL, L = Wafer Lot  
Y, YY = Year  
W, WW = Work Week  
G or ■ = Pb-Free Package

(Note: Microdot may be in either location)

\*For additional marking information, refer to Application Note AND8002/D.

### ORDERING INFORMATION

See detailed ordering and shipping information in the package dimensions section on page 15 of this data sheet.

# MC100EP195B

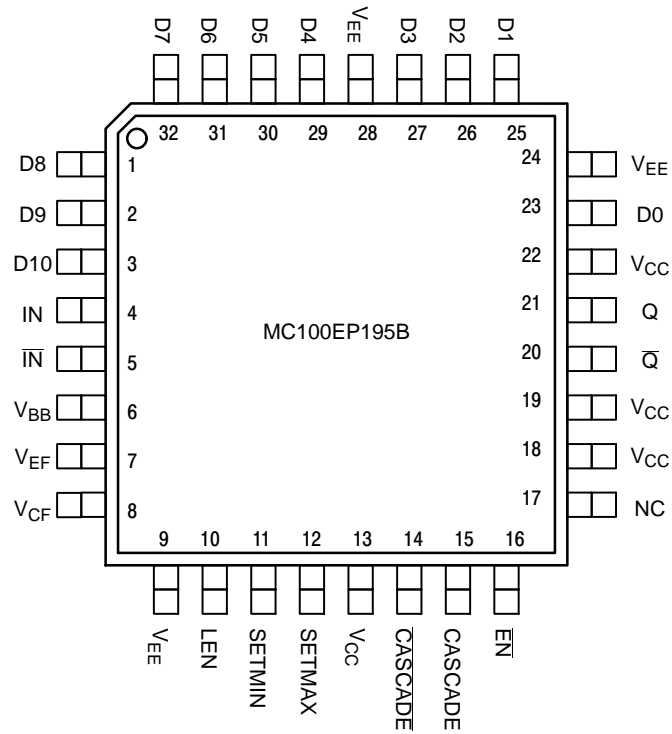


Figure 1. 32-Lead LQFP Pinout (Top View)

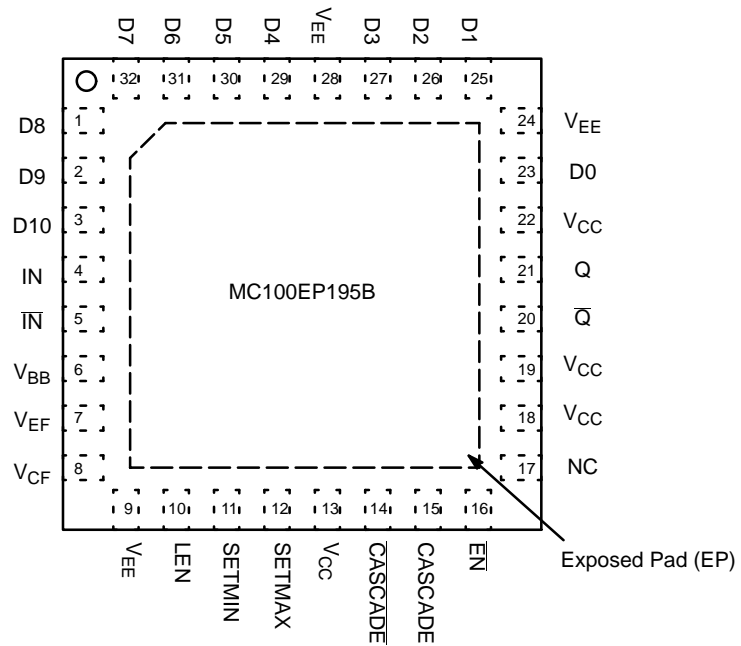


Figure 1. 32-Lead QFN (Top View)

# MC100EP195B

**Table 1. PIN DESCRIPTION**

Pin	Name	I/O	Default State	Description
23, 25, 26, 27, 29, 30, 31, 32, 1, 2	D[0:9]	LVC MOS, LV TTL, ECL Input	Low	Single-Ended Parallel Data Inputs [0:9]. Internal 75 k $\Omega$ to V <sub>EE</sub> . (Note 1)
3	D[10]	LVC MOS, LV TTL, ECL Input	Low	Single-Ended CASCADE/CASCADE Control Input. Internal 75 k $\Omega$ to V <sub>EE</sub> . (Note 1)
4	IN	LVPECL, LVDS	Low	Noninverted Differential Input. Internal 75 k $\Omega$ to V <sub>EE</sub> .
5	$\overline{\text{IN}}$	LVPECL, LVDS	High	Inverted Differential Input. Internal 75 k $\Omega$ to V <sub>EE</sub> and 36.5 k $\Omega$ to V <sub>CC</sub> .
6	V <sub>BB</sub>	–	–	ECL Reference Voltage Output
7	V <sub>EF</sub>	–	–	Reference Voltage for ECL Mode Connection
8	V <sub>CF</sub>	–	–	LVC MOS, ECL, OR LV TTL Input Mode Select
9, 24, 28	V <sub>EE</sub>	–	–	Negative Supply Voltage. All V <sub>EE</sub> Pins must be Externally Connected to Power Supply to Guarantee Proper Operation. (Note 2)
13, 18, 19, 22	V <sub>CC</sub>	–	–	Positive Supply Voltage. All V <sub>CC</sub> Pins must be externally Connected to Power Supply to Guarantee Proper Operation. (Note 2)
10	LEN	ECL Input	Low	Single-ended D pins LOAD / HOLD input. Internal 75 k $\Omega$ to V <sub>EE</sub> .
11	SETMIN	ECL Input	Low	Single-ended Minimum Delay Set Logic Input. Internal 75 k $\Omega$ to V <sub>EE</sub> . (Note 1)
12	SETMAX	ECL Input	Low	Single-ended Maximum Delay Set Logic Input. Internal 75 k $\Omega$ to V <sub>EE</sub> . (Note 1)
14	$\overline{\text{CASCADE}}$	ECL Output	–	Inverted Differential Cascade Output for D[10]. Typically Terminated with 50 $\Omega$ to V <sub>TT</sub> = V <sub>CC</sub> – 2 V.
15	CASCADE	ECL Output	–	Noninverted Differential Cascade Output. for D[10] Typically Terminated with 50 $\Omega$ to V <sub>TT</sub> = V <sub>CC</sub> – 2 V.
16	$\overline{\text{EN}}$	ECL Input	Low	Single-ended Output Enable Pin. Internal 75 k $\Omega$ to V <sub>EE</sub> .
17	NC	–	–	No Connect. The NC Pin is Electrically Connected to the Die and "MUST BE" Left Open
21	Q	ECL Output	–	Noninverted Differential Output. Typically Terminated with 50 $\Omega$ to V <sub>TT</sub> = V <sub>CC</sub> – 2 V.
20	$\overline{\text{Q}}$	ECL Output	–	Inverted Differential Output. Typically Terminated with 50 $\Omega$ to V <sub>TT</sub> = V <sub>CC</sub> – 2 V.

1. SETMIN will override SETMAX if both are high. SETMAX and SETMIN will override all D[0:10] inputs.
2. All V<sub>CC</sub> and V<sub>EE</sub> pins must be externally connected to Power Supply to guarantee proper operation.

# MC100EP195B

**Table 2. CONTROL PIN**

Pin	State	Function
EN	LOW (Note 3)	Input Signal is Propagated to the Output
	HIGH	Output Holds Logic Low State
LEN	LOW (Note 3)	Transparent or LOAD mode for real time delay values present on D[0:10].
	HIGH	LOCK and HOLD mode for delay values on D[0:10]; further changes on D[0:10] are not recognized and do not affect delay.
SETMIN	LOW (Note 3)	Output Delay set by D[0:10]
	HIGH	Set Minimum Output Delay
SETMAX	LOW (Note 3)	Output Delay set by D[0:10]
	HIGH	Set Maximum Output Delay
D10	LOW (Note 3)	CASCADE Output LOW, CASCADE Output HIGH
	HIGH	CASCADE Output LOW, CASCADE Output HIGH

3. Internal pulldown resistor will provide a logic LOW if pin is left unconnected.

**Table 3. CONTROL D[0:10] INTERFACE**

V <sub>CF</sub>	V <sub>EF</sub> Pin (Note 4)	ECL Mode
V <sub>CF</sub>	No Connect	LVC MOS Mode
V <sub>CF</sub>	1.5 V ± 100 mV	LVTTL Mode (Note 5)

4. Short V<sub>CF</sub> (pin 8) and V<sub>EF</sub> (pin 7).

5. When Operating in LVTTL Mode, the reference voltage can be provided by connecting an external resistor, R<sub>CF</sub> (suggested resistor value is 2.2 kΩ ± 5%), between V<sub>CF</sub> and V<sub>EE</sub> pins.

**Table 4. DATA INPUT ALLOWED OPERATING VOLTAGE MODE TABLE**

POWER SUPPLY	CONTROL DATA SELECT INPUTS PINS (D [0:10])			
	LVC MOS	LVTTL	LVPECL	LVNECL
PECL Mode Operating Range	YES	YES	YES	N/A
NECL Mode Operating Range	N/A	N/A	N/A	YES

**Table 5. ATTRIBUTES**

Characteristics	Value	
Internal Input Pulldown Resistor (R1)	75 kΩ	
ESD Protection	Human Body Model	> 2 kV
	Machine Model	> 100 V
	Charged Device Model	> 2 kV
Moisture Sensitivity, Indefinite Time Out of Drypack (Note 6)	Pb-Free Pkg	
	QFN-32	Level 1
	LQFP-32	Level 2
Flammability Rating Oxygen Index: 28 to 34	UL 94 V-0 @ 0.125 in	
Transistor Count	1217 Devices	
Meets or exceeds JEDEC Spec EIA/JESD78 IC Latchup Test		

6. For additional information, see Application Note AND8003/D.

# MC100EP195B

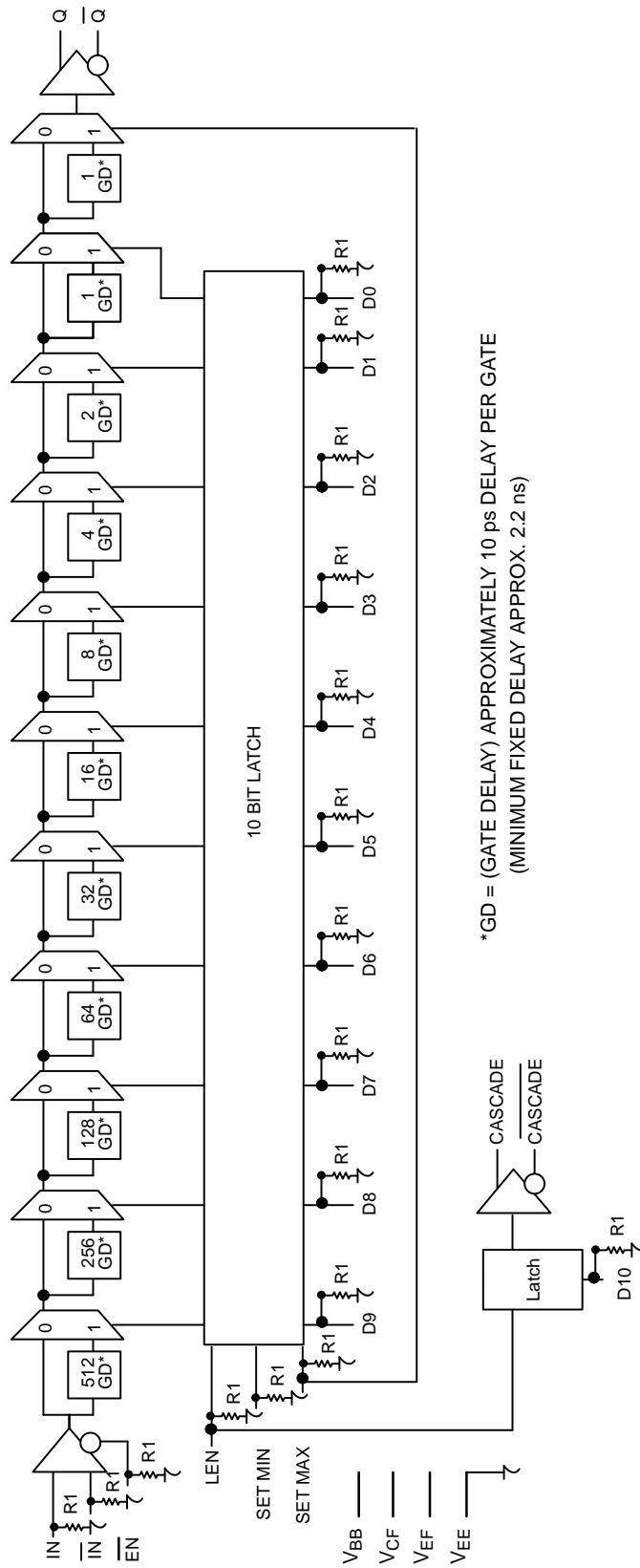


Figure 2. Logic Diagram

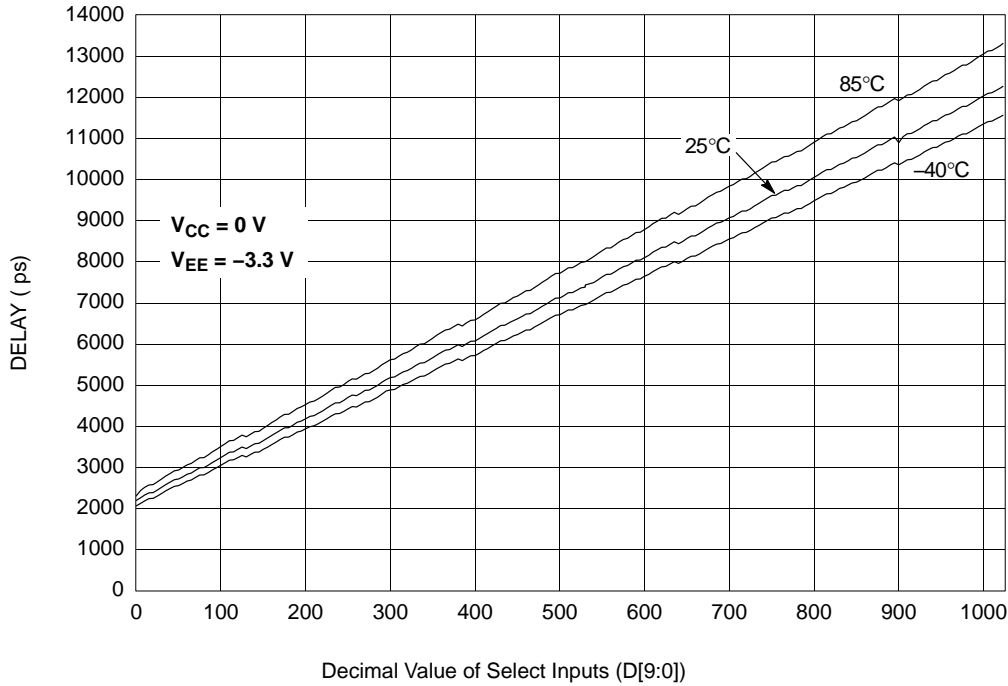
# MC100EP195B

**Table 6. THEORETICAL DELAY VALUES**

D(9:0) Value	SETMIN	SETMAX	Programmable Delay*
XXXXXXXXXX	H	L	0 ps
000000000	L	L	0 ps
000000001	L	L	10 ps
000000010	L	L	20 ps
000000011	L	L	30 ps
000000100	L	L	40 ps
000000101	L	L	50 ps
000000110	L	L	60 ps
000000111	L	L	70 ps
000001000	L	L	80 ps
000010000	L	L	160 ps
000100000	L	L	320 ps
001000000	L	L	640 ps
001000000	L	L	1280 ps
010000000	L	L	2560 ps
100000000	L	L	5120 ps
111111111	L	L	10230 ps
XXXXXXXXXX	L	H	10240 ps

\*Fixed minimum delay not included.

# MC100EP195B



**Figure 3. Measured Delay vs. Select Inputs**

**Table 7. MAXIMUM RATINGS**

Symbol	Parameter	Condition 1	Condition 2	Rating	Unit
$V_{CC}$	Positive Mode Power Supply	$V_{EE} = 0\text{ V}$		6	V
$V_{EE}$	Negative Mode Power Supply	$V_{CC} = 0\text{ V}$		-6	V
$V_I$	Positive Mode Input Voltage Negative Mode Input Voltage	$V_{EE} = 0\text{ V}$ $V_{CC} = 0\text{ V}$	$V_I \leq V_{CC}$ $V_I \geq V_{EE}$	6 -6	V V
$I_{out}$	Output Current	Continuous Surge		50 100	mA mA
$I_{BB}$	$V_{BB}$ Sink/Source			$\pm 0.5$	mA
$T_A$	Operating Temperature Range			-40 to +85	$^{\circ}\text{C}$
$T_{stg}$	Storage Temperature Range			-65 to +150	$^{\circ}\text{C}$
$\theta_{JA}$	Thermal Resistance (Junction-to-Ambient)	0 lfpm 500 lfpm	QFN-32 QFN-32	31 27	$^{\circ}\text{C}/\text{W}$ $^{\circ}\text{C}/\text{W}$
$\theta_{JC}$	Thermal Resistance (Junction-to-Case)	2S2P Standard Board	QFN-32	12	$^{\circ}\text{C}/\text{W}$
$\theta_{JA}$	Thermal Resistance (Junction-to-Ambient)	0 lfpm 500 lfpm	LQFP-32 LQFP-32	80 55	$^{\circ}\text{C}/\text{W}$ $^{\circ}\text{C}/\text{W}$
$\theta_{JC}$	Thermal Resistance (Junction-to-Case)	2S2P Standard Board	LQFP-32	12 to 17	$^{\circ}\text{C}/\text{W}$
$T_{sol}$	Wave Solder	Pb-Free	<2 to 3 sec @ 260 $^{\circ}\text{C}$	265	$^{\circ}\text{C}$

Stresses exceeding those listed in the Maximum Ratings table may damage the device. If any of these limits are exceeded, device functionality should not be assumed, damage may occur and reliability may be affected.

# MC100EP195B

**Table 8. 100EP DC CHARACTERISTICS, PECL**  $V_{CC} = 3.3\text{ V}$ ,  $V_{EE} = 0\text{ V}$  (Note 7)

Symbol	Characteristic	-40°C			25°C			85°C			Unit
		Min	Typ	Max	Min	Typ	Max	Min	Typ	Max	
$I_{EE}$	Negative Power Supply Current	90	115	170	100	140	170	100	145	170	mA
$V_{OH}$	Output HIGH Voltage (Note 8)	2155	2280	2405	2155	2280	2405	2155	2280	2405	mV
$V_{OL}$	Output LOW Voltage (Note 8)	1305	1480	1605	1305	1480	1605	1305	1480	1605	mV
$V_{IH}$	Input HIGH Voltage (Single-Ended)										mV
	LVPECL	2075		2420	2075		2420	2075		2420	
	CMOS	2000		3300	2000		3300	2000		3300	
	TTL	2000		3300	2000		3300	2000		3300	
$V_{IL}$	Input LOW Voltage (Single-Ended)										mV
	LVPECL	1305		1675	1305		1675	1305		1675	
	CMOS	0		800	0		800	0		800	
	TTL	0		800	0		800	0		800	
$V_{BB}$	ECL Output Voltage Reference	1775	1875	1975	1775	1875	1975	1775	1875	1975	mV
$V_{CF}$	LVTTL Mode Input Detect Voltage	1.4	1.5	1.6	1.4	1.5	1.6	1.4	1.5	1.6	V
$V_{EF}$	Reference Voltage for ECL Mode Connection	1900	2020	2150	1900	2020	2150	1900	2020	2150	mV
$V_{IHCMR}$	Input HIGH Voltage Common Mode Range (Differential Configuration) (Note 9)	1.2		3.3	1.2		3.3	1.2		3.3	V
$I_{IH}$	Input HIGH Current (@ $V_{IH}$ )	0		150	0		150	0		150	$\mu\text{A}$
$I_{IL}$	Input LOW Current (@ $V_{IL}$ )	0		150	0		150	0		150	$\mu\text{A}$

NOTE: Device will meet the specifications after thermal equilibrium has been established when mounted in a test socket or printed circuit board with maintained transverse airflow greater than 500 lfm. Electrical parameters are guaranteed only over the declared operating temperature range. Functional operation of the device exceeding these conditions is not implied. Device specification limit values are applied individually under normal operating conditions and not valid simultaneously.

7. Input and output parameters vary 1:1 with  $V_{CC}$ .  $V_{EE}$  can vary +0.3 V to -0.3 V.

8. All loading with 50  $\Omega$  to  $V_{CC} - 2.0\text{ V}$ .

9.  $V_{IHCMR}$  min varies 1:1 with  $V_{EE}$ .  $V_{IHCMR}$  max varies 1:1 with  $V_{CC}$ . The  $V_{IHCMR}$  range is referenced to the most positive side of the differential input signal.



# MC100EP195B

**Table 9. 100EP DC CHARACTERISTICS, NECL**  $V_{CC} = 0\text{ V}$ ,  $V_{EE} = -3.3\text{ V}$  (Note 10)

Symbol	Characteristic	-40°C			25°C			85°C			Unit
		Min	Typ	Max	Min	Typ	Max	Min	Typ	Max	
$I_{EE}$	Negative Power Supply Current (Note 11)	90	115	170	100	140	170	100	145	170	mA
$V_{OH}$	Output HIGH Voltage (Note 12)	-1145	-1020	-895	-1145	-1020	-895	-1145	-1020	-895	mV
$V_{OL}$	Output LOW Voltage (Note 12)	-1995	-1820	-1695	-1995	-1820	-1695	-1995	-1820	-1695	mV
$V_{IH}$	Input HIGH Voltage (Single-Ended) LVNECL	-1225		-880	-1225		-880	-1225		-880	mV
$V_{IL}$	Input LOW Voltage (Single-Ended) LVNECL	-1995		-1625	-1995		-1625	-1995		-1625	mV
$V_{BB}$	ECL Output Voltage Reference	-1525	-1425	-1325	-1525	-1425	-1325	-1525	-1425	-1325	mV
$V_{EF}$	Reference Voltage for ECL Mode Connection	-1400	-1280	-1250	-1400	-1280	-1250	-1400	-1280	-1250	mV
$V_{IHCMR}$	Input HIGH Voltage Common Mode Range (Differential Configuration) (Note 13)	$V_{EE} + 1.2$		0.0	$V_{EE} + 1.2$		0.0	$V_{EE} + 1.2$		0.0	V
$I_{IH}$	Input HIGH Current (@ $V_{IH}$ )	0		150	0		150	0		150	$\mu\text{A}$
$I_{IL}$	Input LOW Current (@ $V_{IL}$ )	0		150	0		150	0		150	$\mu\text{A}$

NOTE: Device will meet the specifications after thermal equilibrium has been established when mounted in a test socket or printed circuit board with maintained transverse airflow greater than 500 lfm. Electrical parameters are guaranteed only over the declared operating temperature range. Functional operation of the device exceeding these conditions is not implied. Device specification limit values are applied individually under normal operating conditions and not valid simultaneously.

10. Input and output parameters vary 1:1 with  $V_{CC}$ .  $V_{EE}$  can vary +0.3 V to -0.3 V.

11. Required 500 lfm air flow when using +5 V power supply. For  $(V_{CC} - V_{EE}) > 3.3\text{ V}$ , 5  $\Omega$  to 10  $\Omega$  in line with  $V_{EE}$  required for maximum thermal protection at elevated temperatures. Recommend  $V_{CC} - V_{EE}$  operation at  $\leq 3.8\text{ V}$ .

12. All loading with 50  $\Omega$  to  $V_{CC} - 2.0\text{ V}$ .

13.  $V_{IHCMR}$  min varies 1:1 with  $V_{EE}$ .  $V_{IHCMR}$  max varies 1:1 with  $V_{CC}$ . The  $V_{IHCMR}$  range is referenced to the most positive side of the differential input signal.

# MC100EP195B

**Table 10. AC CHARACTERISTICS**  $V_{CC} = 0\text{ V}$ ;  $V_{EE} = -3.0\text{ V}$  to  $-3.6\text{ V}$  or  $V_{CC} = 3.0\text{ V}$  to  $3.6\text{ V}$ ;  $V_{EE} = 0\text{ V}$  (Note 14)

Symbol	Characteristic	-40°C			25°C			85°C			Unit
		Min	Typ	Max	Min	Typ	Max	Min	Typ	Max	
$f_{max}$	Maximum Frequency		1.2			1.2			1.2		GHz
$V_{outPP}$	Output Voltage Amplitude	610	820		610	820		610	820		mV
$t_{PLH}$ $t_{PHL}$	Propagation Delay IN to Q; D(0-10) = 0, SETMIN IN to Q; D(0-10) = 1023, SETMAX EN to Q; D(0-10) = 0 D0 to CASCADE	2000 10900 1990 375	2400 12400 2500 475	2800 13900 2990 575	2150 11500 2130 400	2500 13000 2600 500	2950 14500 3130 600	2250 12250 2380 425	2700 13750 2800 525	3050 15250 3380 625	ps
$t_{RANGE}$	Programmable Range $t_{PD}(\text{max}) - t_{PD}(\text{min})$	8950	9950	10950	9450	10450	11450	10110	11100	12110	ps
$\Delta t$	Step Delay (Note 15) D0 High D1 High D2 High D3 High D4 High D5 High D6 High D7 High D8 High D9 High		10 16 32 65 155 310 620 1200 2500 4900			11 18 33 72 165 325 650 1300 2600 5200				15 26 46 92 195 370 720 1400 2800 5500	ps
NLIN	Non-Linearity (Note 21) 0 to 511 Decimal Values for D[9:0] Range 512 to 1024 Decimal Values for D[9:0] Range 1 to 1023 Decimal Values for D[9:0] Range		$\pm 7.0$ $\pm 7.0$ $\pm 11$			$\pm 7.0$ $\pm 7.0$ $\pm 11$		$\pm 11$ $\pm 11$ $\pm 18$			ps
$t_{SKEW}$	Duty Cycle Skew (Note 16) $ t_{PHL} - t_{PLH} $		25	90		25	90		25	90	ps
$t_s$	Setup Time D to LEN D to IN (Note 17) EN to IN (Note 18)	200 500 300	-40 -550 100		200 500 300	-40 -590 100		200 500 300	-40 -650 120		ps
$t_h$	Hold Time LEN to D IN to EN (Note 19)	200 400	50 -320		200 400	40 -350		200 400	30 -400		ps
$t_R$	Release Time EN to IN (Note 20) SET MAX to LEN SET MIN to LEN	300 400 350	-150 180 220		300 400 350	-170 200 250		300 400 350	-200 210 260		ps
$t_{jitter}$	RMS Random Clock Jitter @ 1.2 GHz IN to Q; D(0:10) = 0 or SETMIN IN to Q; D(0:10) = 1023 or SETMAX		0.9 1.9	2.0 5.0		1.1 2.6	2.0 5.0		1.2 3.3	2.0 5.0	ps

NOTE: Device will meet the specifications after thermal equilibrium has been established when mounted in a test socket or printed circuit board with maintained transverse airflow greater than 500 lfm. Electrical parameters are guaranteed only over the declared operating temperature range. Functional operation of the device exceeding these conditions is not implied. Device specification limit values are applied individually under normal operating conditions and not valid simultaneously.

14. Measured using a 750 mV source, 50% duty cycle clock source. All loading with  $50\ \Omega$  to  $V_{CC} - 2.0\text{ V}$ .

15. Specification limits represent the amount of delay added with the assertion of each individual delay control pin. The various combinations of asserted delay control inputs will typically realize D0 resolution steps across the specified programmable range.

16. Duty cycle skew guaranteed only for differential operation measured from the cross point of the input to the cross point of the output.

17. This setup time defines the amount of time prior to the input signal the delay tap of the device must be set.

18. This setup time is the minimum time that EN must be asserted prior to the next transition of IN/IN to prevent an output response greater than  $\pm 75\text{ mV}$  to that IN/IN transition.

19. This hold time is the minimum time that EN must remain asserted after a negative going IN or positive going IN to prevent an output response greater than  $\pm 75\text{ mV}$  to that IN/IN transition.

20. This release time is the minimum time that EN must be deasserted prior to the next IN/IN transition to ensure an output response that meets the specified IN to Q propagation delay and transition times.

21. Deviation from a linear delay (actual Min to Max) in the 1024 programmable steps.

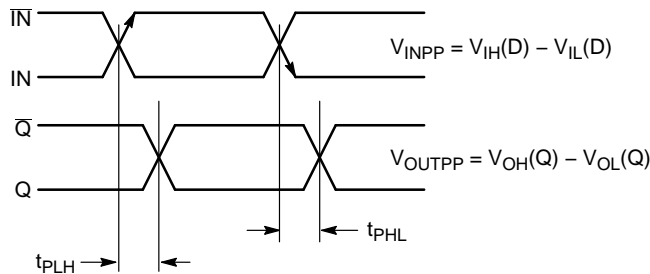
# MC100EP195B

**Table 10. AC CHARACTERISTICS**  $V_{CC} = 0\text{ V}$ ;  $V_{EE} = -3.0\text{ V to } -3.6\text{ V}$  or  $V_{CC} = 3.0\text{ V to } 3.6\text{ V}$ ;  $V_{EE} = 0\text{ V}$  (Note 14)

Symbol	Characteristic	-40°C			25°C			85°C			Unit
		Min	Typ	Max	Min	Typ	Max	Min	Typ	Max	
$V_{PP}$	Input Voltage Swing (Differential Configuration)	150	800	1200	150	800	1200	150	800	1200	mV
$t_r$ $t_f$	Output Rise/Fall Time @ 50 MHz 20–80% (Q) 20–80% (CASCADE)	85 110	115 160	140 210	100 120	120 175	140 230	100 120	130 190	165 250	ps

NOTE: Device will meet the specifications after thermal equilibrium has been established when mounted in a test socket or printed circuit board with maintained transverse airflow greater than 500 lfm. Electrical parameters are guaranteed only over the declared operating temperature range. Functional operation of the device exceeding these conditions is not implied. Device specification limit values are applied individually under normal operating conditions and not valid simultaneously.

14. Measured using a 750 mV source, 50% duty cycle clock source. All loading with  $50\ \Omega$  to  $V_{CC} - 2.0\text{ V}$ .
15. Specification limits represent the amount of delay added with the assertion of each individual delay control pin. The various combinations of asserted delay control inputs will typically realize D0 resolution steps across the specified programmable range.
16. Duty cycle skew guaranteed only for differential operation measured from the cross point of the input to the cross point of the output.
17. This setup time defines the amount of time prior to the input signal the delay tap of the device must be set.
18. This setup time is the minimum time that  $\overline{EN}$  must be asserted prior to the next transition of  $IN/\overline{IN}$  to prevent an output response greater than  $\pm 75\text{ mV}$  to that  $IN/\overline{IN}$  transition.
19. This hold time is the minimum time that  $\overline{EN}$  must remain asserted after a negative going  $IN$  or positive going  $\overline{IN}$  to prevent an output response greater than  $\pm 75\text{ mV}$  to that  $IN/\overline{IN}$  transition.
20. This release time is the minimum time that  $\overline{EN}$  must be deasserted prior to the next  $IN/\overline{IN}$  transition to ensure an output response that meets the specified  $IN$  to  $Q$  propagation delay and transition times.
21. Deviation from a linear delay (actual Min to Max) in the 1024 programmable steps.



**Figure 4. AC Reference Measurement**

## Cascading Multiple EP195Bs

To increase the programmable range of the EP195B, internal cascade circuitry has been included. This circuitry allows for the cascading of multiple EP195Bs without the need for any external gating. Furthermore, this capability requires only one more address line per added EP195B. Obviously, cascading multiple programmable delay chips will result in a larger programmable range; however, this increase is at the expense of a longer minimum delay.

Figure 5 illustrates the interconnect scheme for cascading two EP195Bs. As can be seen, this scheme can easily be

expanded for larger EP195B chains. The D10 input of the EP195B is the CASCADE control pin. With the interconnect scheme of Figure 5 when D10 is asserted, it signals the need for a larger programmable range than is achievable with a single device and switches output pin CASCADE HIGH and pin  $\overline{CASCADE}$  LOW. The A11 address can be added to generate a cascade output for the next EP195B. For a 2–device configuration, A11 is not required.



# MC100EP195B

**Table 11. Delay Value of Two EP195B Cascaded**

VARIABLE INPUT TO CHIP #1 AND SETMIN FOR CHIP #2												
INPUT FOR CHIP #1											Delay Value	Total Delay Value
D10	D9	D8	D7	D6	D5	D4	D3	D2	D1	D0		
0	0	0	0	0	0	0	0	0	0	0	0 ps	4400 ps
0	0	0	0	0	0	0	0	0	0	1	10 ps	4410 ps
0	0	0	0	0	0	0	0	0	1	0	20 ps	4420 ps
0	0	0	0	0	0	0	0	0	1	1	30 ps	4430 ps
0	0	0	0	0	0	0	0	1	0	0	40 ps	4440 ps
0	0	0	0	0	0	0	0	1	0	1	50 ps	4450 ps
0	0	0	0	0	0	0	0	1	1	0	60 ps	4460 ps
0	0	0	0	0	0	0	0	1	1	1	70 ps	4470 ps
0	0	0	0	0	0	0	1	0	0	0	80 ps	4480 ps
0	0	0	0	0	0	1	0	0	0	0	160 ps	4560 ps
0	0	0	0	0	1	0	0	0	0	0	220 ps	4720 ps
0	0	0	0	1	0	0	0	0	0	0	640 ps	5040 ps
0	0	0	1	0	0	0	0	0	0	0	1280 ps	5680 ps
0	0	1	0	0	0	0	0	0	0	0	2560 ps	6960 ps
0	1	0	0	0	0	0	0	0	0	0	5120 ps	9520 ps
0	1	1	1	1	1	1	1	1	1	1	10230 ps	14630 ps

VARIABLE INPUT TO CHIP #1 AND SETMAX FOR CHIP #2												
INPUT FOR CHIP #1											Delay Value	Total Delay Value
D10	D9	D8	D7	D6	D5	D4	D3	D2	D1	D0		
1	0	0	0	0	0	0	0	0	0	0	10240 ps	14640 ps
1	0	0	0	0	0	0	0	0	0	1	10250 ps	14650 ps
1	0	0	0	0	0	0	0	0	1	0	10260 ps	14660 ps
1	0	0	0	0	0	0	0	0	1	1	10270 ps	14670 ps
1	0	0	0	0	0	0	0	1	0	0	10280 ps	14680 ps
1	0	0	0	0	0	0	0	1	0	1	10290 ps	14690 ps
1	0	0	0	0	0	0	0	1	1	0	10300 ps	14700 ps
1	0	0	0	0	0	0	0	1	1	1	10310 ps	14710 ps
1	0	0	0	0	0	0	1	0	0	0	10320 ps	14720 ps
1	0	0	0	0	0	1	0	0	0	0	10400 ps	14800 ps
1	0	0	0	0	1	0	0	0	0	0	10560 ps	14960 ps
1	0	0	0	1	0	0	0	0	0	0	10880 ps	15280 ps
1	0	0	1	0	0	0	0	0	0	0	11520 ps	15920 ps
1	0	1	0	0	0	0	0	0	0	0	12800 ps	17200 ps
1	1	0	0	0	0	0	0	0	0	0	15360 ps	19760 ps
1	1	1	1	1	1	1	1	1	1	1	20470 ps	24870 ps

# MC100EP195B

## Multi-Channel Deskewing

The most practical application for EP195B is in multiple channel delay matching. Slight differences in impedance and cable length can create large timing skews within a high-speed system. To deskew multiple signal channels, each channel can

be sent through each EP195B as shown in Figure 7. One signal channel can be used as reference and the other EP195Bs can be used to adjust the delay to eliminate the timing skews. Nearly any high-speed system can be fine-tuned (as small as 10 ps) to reduce the skew to extremely tight tolerances.

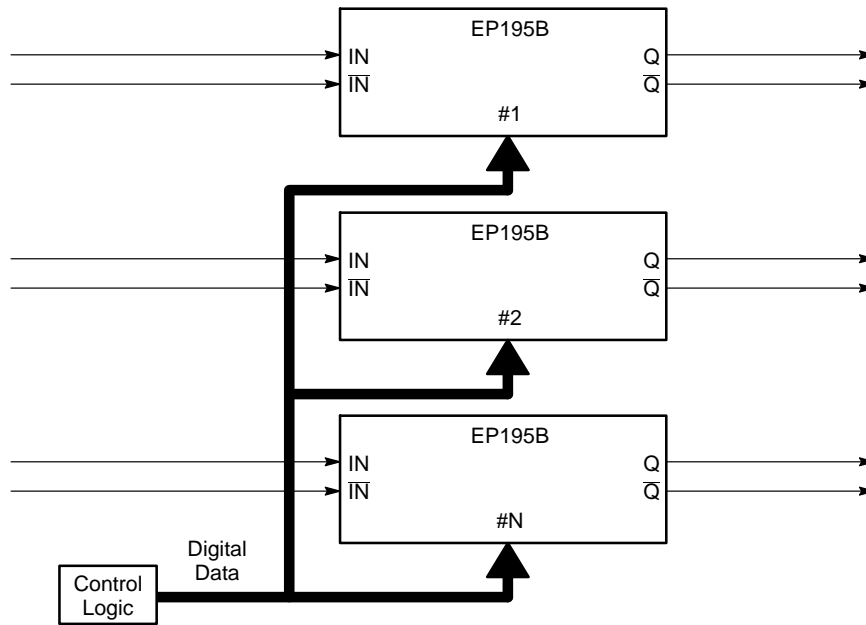


Figure 7. Multiple Channel Deskewing Diagram

## Measure Unknown High Speed Device Delays

EP195Bs provide a possible solution to measure the unknown delay of a device with a high degree of precision. By combining two EP195Bs and EP31 as shown in Figure 8, the delay can be measured. The first EP195B can be set to SETMIN and its output is used to drive the unknown delay device, which in turn drives the input of a D flip-flop of EP31. The second EP195B is triggered along with the first EP195B and its output provides a clock signal for EP31. The programmed delay of the second EP195B is varied to detect the output edge from the unknown delay device.

If the programmed delay through the second EP195B is too long, the flip-flop output will be at logic high. On the other hand, if the programmed delay through the second EP195B is too short, the flip-flop output will be at a logic low. If the programmed delay is correctly fine-tuned in the second EP195B, the flip-flop will bounce between logic high and logic low. The digital code in the second EP195B can be directly correlated into an accurate device delay.

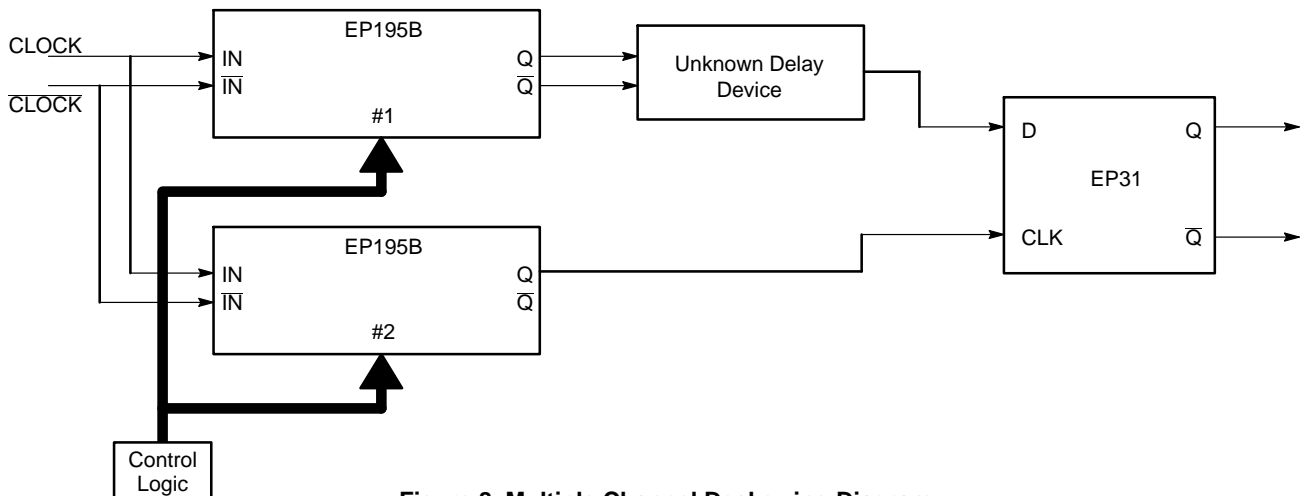
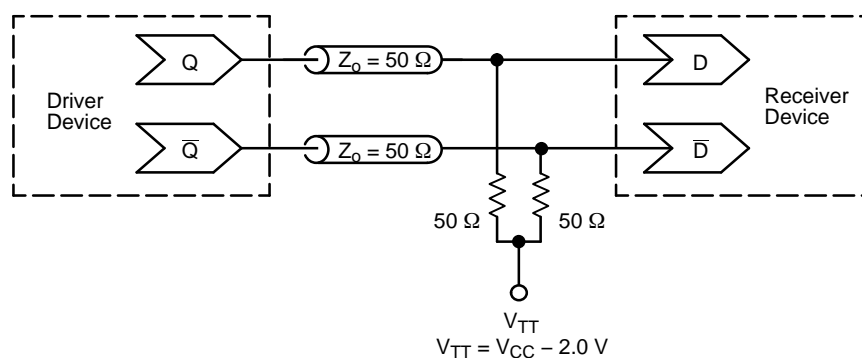


Figure 8. Multiple Channel Deskewing Diagram

## MC100EP195B



**Figure 9. Typical Termination for Output Driver and Device Evaluation  
(See Application Note AND8020/D – Termination of ECL Logic Devices.)**

### ORDERING INFORMATION

Device	Package	Shipping†
MC100EP195BFAG	LQFP-32 (Pb-Free)	250 Units / tray
MC100EP195BFAR2G	LQFP-32 (Pb-Free)	2000 / Tape & Reel
MC100EP195BMNG	QFN-32 (Pb-Free)	74 Units / Rail
MC100EP195BMNR4G	QFN-32 (Pb-Free)	1000 / Tape & Reel

†For information on tape and reel specifications, including part orientation and tape sizes, please refer to our Tape and Reel Packaging Specifications Brochure, BRD8011/D.

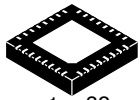
### Resource Reference of Application Notes

- AN1405/D** – ECL Clock Distribution Techniques
- AN1406/D** – Designing with PECL (ECL at +5.0 V)
- AN1503/D** – ECLinPS™ I/O SPICE Modeling Kit
- AN1504/D** – Metastability and the ECLinPS Family
- AN1568/D** – Interfacing Between LVDS and ECL
- AN1642/D** – The ECL Translator Guide
- AND8001/D** – Odd Number Counters Design
- AND8002/D** – Marking and Date Codes
- AND8020/D** – Termination of ECL Logic Devices
- AND8066/D** – Interfacing with ECLinPS
- AND8090/D** – AC Characteristics of ECL Devices

# MECHANICAL CASE OUTLINE

## PACKAGE DIMENSIONS

ON Semiconductor®

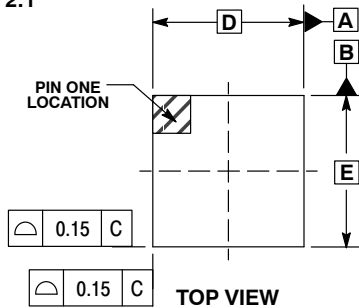


1 32

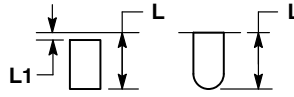
SCALE 2:1

QFN32 5x5, 0.5P  
CASE 488AM  
ISSUE A

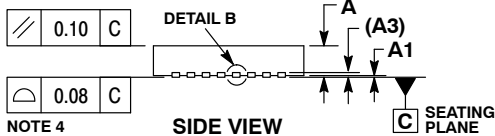
DATE 23 OCT 2013



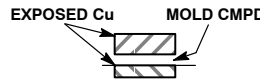
TOP VIEW



DETAIL A  
ALTERNATE TERMINAL  
CONSTRUCTIONS



SIDE VIEW



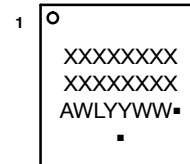
DETAIL B  
ALTERNATE  
CONSTRUCTION

NOTES:

1. DIMENSIONS AND TOLERANCING PER ASME Y14.5M, 1994.
2. CONTROLLING DIMENSION: MILLIMETERS.
3. DIMENSION b APPLIES TO PLATED TERMINAL AND IS MEASURED BETWEEN 0.15 AND 0.30MM FROM THE TERMINAL TIP. COPLANARITY APPLIES TO THE EXPOSED PAD AS WELL AS THE TERMINALS.
4. COPLANARITY APPLIES TO THE EXPOSED PAD AS WELL AS THE TERMINALS.

MILLIMETERS		
DIM	MIN	MAX
A	0.80	1.00
A1	---	0.05
A3	0.20	REF
b	0.18	0.30
D	5.00	BSC
D2	2.95	3.25
E	5.00	BSC
E2	2.95	3.25
e	0.50	BSC
K	0.20	---
L	0.30	0.50
L1	---	0.15

GENERIC MARKING DIAGRAM\*

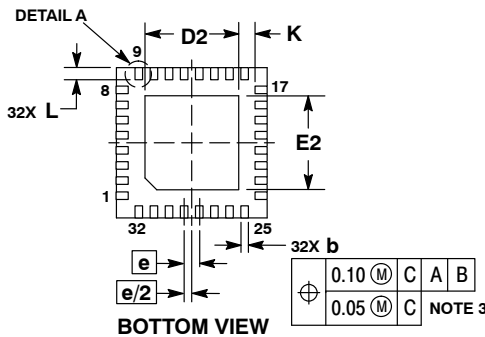


- XXXXXX = Specific Device Code
- A = Assembly Location
- WL = Wafer Lot
- YY = Year
- WW = Work Week
- = Pb-Free Package

(Note: Microdot may be in either location)

\*This information is generic. Please refer to device data sheet for actual part marking.

Pb-Free indicator, "G" or microdot "▪", may or may not be present.

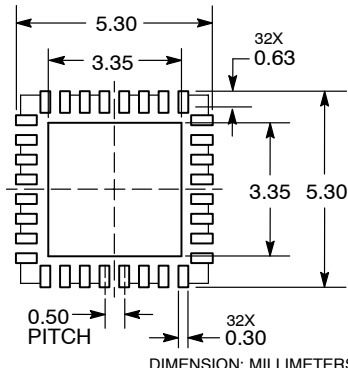


BOTTOM VIEW

⊕	0.10 (M)	C	A	B
	0.05 (M)	C		

NOTE 3

RECOMMENDED SOLDERING FOOTPRINT\*



DIMENSION: MILLIMETERS

\*For additional information on our Pb-Free strategy and soldering details, please download the ON Semiconductor Soldering and Mounting Techniques Reference Manual, SOLDERRM/D.

DOCUMENT NUMBER:	98AON20032D	Electronic versions are uncontrolled except when accessed directly from the Document Repository. Printed versions are uncontrolled except when stamped "CONTROLLED COPY" in red.
DESCRIPTION:	QFN32 5x5 0.5P	PAGE 1 OF 1

ON Semiconductor and ON are trademarks of Semiconductor Components Industries, LLC dba ON Semiconductor or its subsidiaries in the United States and/or other countries. ON Semiconductor reserves the right to make changes without further notice to any products herein. ON Semiconductor makes no warranty, representation or guarantee regarding the suitability of its products for any particular purpose, nor does ON Semiconductor assume any liability arising out of the application or use of any product or circuit, and specifically disclaims any and all liability, including without limitation special, consequential or incidental damages. ON Semiconductor does not convey any license under its patent rights nor the rights of others.



**MECHANICAL CASE OUTLINE**  
**PACKAGE DIMENSIONS**

ON Semiconductor®



**32 LEAD LQFP**  
CASE 873A-02  
ISSUE D

SCALE 1:1

DATE 07 JUL 2015

**DRAWING NOT IN USE – REPLACED BY CASE OUTLINE DRAWING 561AB – 98AON30893E**

<b>DOCUMENT NUMBER:</b>	<b>98ASH70029A</b>	Electronic versions are uncontrolled except when accessed directly from the Document Repository. Printed versions are uncontrolled except when stamped "CONTROLLED COPY" in red.
<b>STATUS:</b>	<b>ON SEMICONDUCTOR STANDARD</b>	
<b>NEW STANDARD:</b>		
<b>DESCRIPTION:</b>	<b>32 LEAD LQFP, 7X7 MM</b>	<b>PAGE 1 OF 2</b>



ON Semiconductor and  are trademarks of Semiconductor Components Industries, LLC dba ON Semiconductor or its subsidiaries in the United States and/or other countries. ON Semiconductor owns the rights to a number of patents, trademarks, copyrights, trade secrets, and other intellectual property. A listing of ON Semiconductor's product/patent coverage may be accessed at [www.onsemi.com/site/pdf/Patent-Marking.pdf](http://www.onsemi.com/site/pdf/Patent-Marking.pdf). ON Semiconductor reserves the right to make changes without further notice to any products herein. ON Semiconductor makes no warranty, representation or guarantee regarding the suitability of its products for any particular purpose, nor does ON Semiconductor assume any liability arising out of the application or use of any product or circuit, and specifically disclaims any and all liability, including without limitation special, consequential or incidental damages. Buyer is responsible for its products and applications using ON Semiconductor products, including compliance with all laws, regulations and safety requirements or standards, regardless of any support or applications information provided by ON Semiconductor. "Typical" parameters which may be provided in ON Semiconductor data sheets and/or specifications can and do vary in different applications and actual performance may vary over time. All operating parameters, including "Typicals" must be validated for each customer application by customer's technical experts. ON Semiconductor does not convey any license under its patent rights nor the rights of others. ON Semiconductor products are not designed, intended, or authorized for use as a critical component in life support systems or any FDA Class 3 medical devices or medical devices with a same or similar classification in a foreign jurisdiction or any devices intended for implantation in the human body. Should Buyer purchase or use ON Semiconductor products for any such unintended or unauthorized application, Buyer shall indemnify and hold ON Semiconductor and its officers, employees, subsidiaries, affiliates, and distributors harmless against all claims, costs, damages, and expenses, and reasonable attorney fees arising out of, directly or indirectly, any claim of personal injury or death associated with such unintended or unauthorized use, even if such claim alleges that ON Semiconductor was negligent regarding the design or manufacture of the part. ON Semiconductor is an Equal Opportunity/Affirmative Action Employer. This literature is subject to all applicable copyright laws and is not for resale in any manner.

## PUBLICATION ORDERING INFORMATION

### LITERATURE FULFILLMENT:

Email Requests to: [orderlit@onsemi.com](mailto:orderlit@onsemi.com)

ON Semiconductor Website: [www.onsemi.com](http://www.onsemi.com)

### TECHNICAL SUPPORT

North American Technical Support:  
Voice Mail: 1 800-282-9855 Toll Free USA/Canada  
Phone: 011 421 33 790 2910

Europe, Middle East and Africa Technical Support:

Phone: 00421 33 790 2910

For additional information, please contact your local Sales Representative

