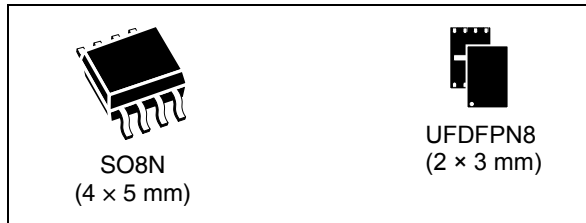


## Authentication, state-of-the-art security for peripherals and IoT devices

Datasheet - production data



### Features

- Authentication for:
  - Consumables and peripherals
  - eCloud Internet of things (IoT) connected objects
  - USB Type-C™ power delivery chargers
  - Qi over-the-air chargers
- Secure channel establishment with remote host including transport layer security (TLS) handshake
- Signature verification service (secure boot and firmware upgrade)
- Usage monitoring with secure counters
- Pairing and secure channel with host application processor
- Wrapping and unwrapping of local host envelopes
- Symmetric data encryption or decryption (up to 16 keys)
- On-chip key pair generation
- LPWAN security ready:
  - Preloading with Sigfox™ or LoRaWAN® credentials
  - Frame signature and verification
  - Frame encryption and decryption

### Security features

- Latest generation of highly secure MCUs
  - Unique serial number on each die

- CC EAL5+ AVA\_VAN5 Common Criteria certified
- Active shield
- Monitoring of environmental parameters
- Protection mechanism against faults
- Protection against side-channel attacks
- Advanced asymmetric cryptography
  - Elliptic curve cryptography (ECC) with NIST or Brainpool 256-bit and 384-bit curves
  - Elliptic curve digital signature algorithm (ECDSA) with SHA-256 and SHA-384 for digital signature generation and verification
  - Elliptic curve Diffie-Hellman (ECDH) for key establishment
- Advanced symmetric cryptography
  - Secure operating system with protection against logical and physical attacks
- Secure operating system
  - Secure STSAFE-A110 kernel for authentication and data management
  - Protection against logical and physical attacks

### Hardware features

- 6 Kbytes of configurable non-volatile memory
  - Highly reliable CMOS EEPROM technology
  - 30 years' data retention at 25 °C
  - 500 000 erase / program cycles endurance at 25 °C
  - 1.62 V to 5.5 V continuous supply voltage
- Operating temperature: -40 to 105 °C



**Protocol**

- I<sup>2</sup>C-bus slave interface
  - Up to 400 kbps transmission speed (Fast mode) and true open-drain pads
  - 7-bit addressing

**Packages**

- ECOPACK-compliant SO8N 8-lead plastic small outline and UDFPN 8-lead ultra thin profile fine pitch dual flat packages

# Contents

<b>1</b>	<b>Description</b> .....	<b>6</b>
1.1	Key function overview .....	6
1.2	STSAFE-A110's environment .....	8
1.3	Pin descriptions .....	8
<b>2</b>	<b>Asymmetric cryptography use cases</b> .....	<b>10</b>
2.1	Authentication .....	10
2.2	Key establishment .....	11
2.3	TLS Handshake protocol .....	12
2.4	Public key signature verification .....	16
2.5	Applicative data storage .....	16
<b>3</b>	<b>Pairing with a local host</b> .....	<b>17</b>
3.1	Host secure channel setup use case .....	17
3.2	Local envelope wrapping/unwrapping .....	19
3.3	Symmetric signature, verification, encryption and decryption with keys from the symmetric key table .....	21
<b>4</b>	<b>Command set</b> .....	<b>22</b>
<b>5</b>	<b>Electrical characteristics</b> .....	<b>24</b>
5.1	Absolute maximum ratings .....	24
5.2	Power supply .....	24
5.2.1	Power supply specifications .....	25
5.2.2	Power-on and power-off sequences, and power supply glitch tolerance	25
5.2.3	Reset pin (external reset) .....	26
5.2.4	Power-on and reset sequence .....	26
5.2.5	Power consumption optimization .....	27
5.3	DC characteristics .....	27
5.4	AC characteristics .....	28
<b>6</b>	<b>Package information</b> .....	<b>30</b>
6.1	SO8N package information .....	30
6.2	UFDFPN8 package information .....	31
<b>7</b>	<b>Ordering information</b> .....	<b>33</b>

**Appendix A Glossary of terms ..... 34**

**8 Revision history ..... 35**

## List of figures

Figure 1.	Authentication to a remote server (IoT device case)	6
Figure 2.	Authentication to a local host (accessory or consumable case)	6
Figure 3.	SO8N pinout - Top view	8
Figure 4.	UFDFPN8 pinout - Top view	8
Figure 5.	Example of peripheral or IoT device authentication	10
Figure 6.	Key Establishment command flow	12
Figure 7.	TLS handshake protocol	15
Figure 8.	Public Key Signature Verification command flow	16
Figure 9.	Host and Admin secure channels	17
Figure 10.	Host secure channel setup case	18
Figure 11.	General principle of the wrapping/unwrapping key	19
Figure 12.	Wrap/Unwrap Local Envelop command flow	21
Figure 13.	Filtering capacitors on $V_{CC}$	25
Figure 14.	Power-on and reset sequence	26
Figure 15.	Warm reset sequence	26
Figure 16.	AC clock and data timings	29
Figure 17.	SO8N – package outline	30
Figure 18.	UFDFPN8 – package outline	31

# 1 Description

The STSAFE-A110 is a highly secure solution that acts as a secure element providing authentication and secure data management services to a local or remote host. It consists of a full turnkey solution with a secure operating system running on the latest generation of secure microcontrollers.

The STSAFE-A110 can be integrated in IoT (Internet of things) devices, smart-home, smart-city and industrial applications, consumer electronics devices, consumables and accessories.



## 1.1 Key function overview

Figure 1. Authentication to a remote server (IoT device case)

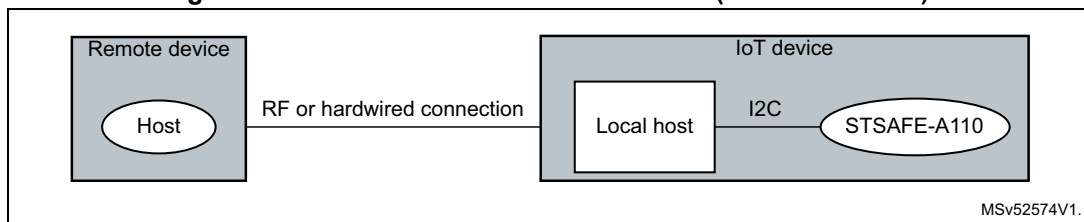
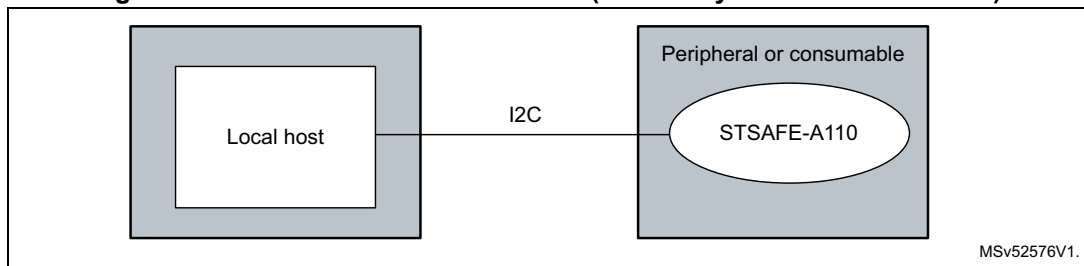


Figure 2. Authentication to a local host (accessory or consumable case)



The STSAFE-A110 can be mounted on:

- a device that authenticates to a remote host (IoT device case), the local host being used as a pass-through to the remote server.
- a peripheral that authenticates to a local host, for example games, mobile accessories or consumables.

The STSAFE-A110 secure element supports the following features:

- **Authentication**

The STSAFE-A110's authentication service provides proof to a remote or local host that a certain peripheral or IoT is legitimate. An equipment manufacturer can thus ensure that only authentic peripherals like accessories or consumables can be used in conjunction with the original equipment. In the same way, a service provider can make sure that its service only operates with the appropriate IoT device.

The authentication service utilizes the ECC cryptographic scheme with NIST or Brainpool 256-bit and 384-bit curves. It also uses the widely deployed ECDSA signature scheme with SHA-256 and SHA-384 for generating digital signatures. In addition, it is compatible with the USB Type-C and Qi power charging authentication scheme.
- **Secure-channel key establishment (TLS)**

The STSAFE-A110 assists the local host in establishing a secure connection between the device and a remote host (such as a cloud server or gateway). It assists the local host in establishing the session keys used to encrypt and decrypt data exchanges between the device and the remote host. This key establishment service relies on the computation of a shared secret based on the elliptic curve Diffie-Hellman schemes (ECDH and ECDHE) executed after the device has generated and exchanged ECC NIST or Brain pool public keys with the server.
- **Signature verification**

The STSAFE-A110 can verify an elliptic curve digital signature algorithm (ECDSA) signature by using a public key provided by the local host. This mechanism can offload a local host application processor with no or limited cryptographic computing power. It is typically used to verify signatures of firmware in the context of secure boot or secure firmware update.
- **Secure one-way counters (peripheral usage monitoring)**

The manufacturer can limit the usage of disposable accessories or consumables to a given value by presetting the secure one-way counters. These counters can only be decremented.
- **Memory partitioning**

The STSAFE-A110 comes with 6 Kbytes of non-volatile memory split into areas, whose read and write access rights can be configured to free access or local host access.
- **Pairing and secure channel with the host**

The STSAFE-A110 allows a secure channel to be set up with the local host based on AES keys for command authorization, command data encryption, response data encryption and response authentication. Typically, pairing between an STSAFE-A110 and its local host prevents the use of the STSAFE-A110 in a different device and protects the I<sup>2</sup>C line from eavesdropping of sensitive information.
- **Wrapping & unwrapping local envelopes**

The STSAFE-A110 can be used to encrypt or decrypt data with its local envelope key. Typically, it can be used when the local host needs to store a secret or a key within its non-secure data storage area.
- **Symmetric keys**

The STSAFE-A110 can be loaded with up to 16 symmetric keys for data encryption and decryption.

## 1.2 STSAFE-A110's environment

The STSAFE-A110 comes with a host integration code tested with STMicroelectronics (ST) STM32 general-purpose MCUs. It can also be ported to a wide range of general-purpose microcontrollers or microprocessors. This integration code includes a command wrapper and examples for the most common generic use cases.

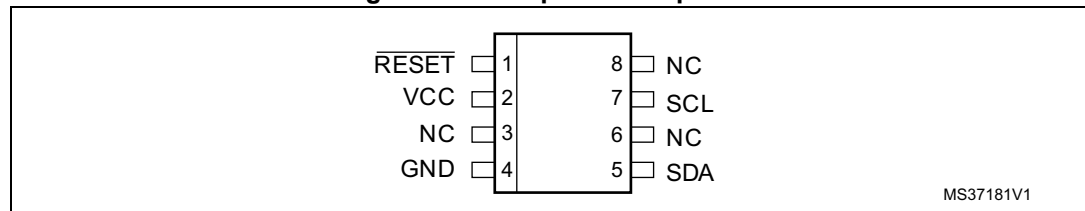
The STSAFE-A110 is available prepersonalized with generic data profiles for evaluation or prototyping.

ST also offers and recommends secure provisioning services for key generation and storage of customer leaf certificates in a secure, certified environment.

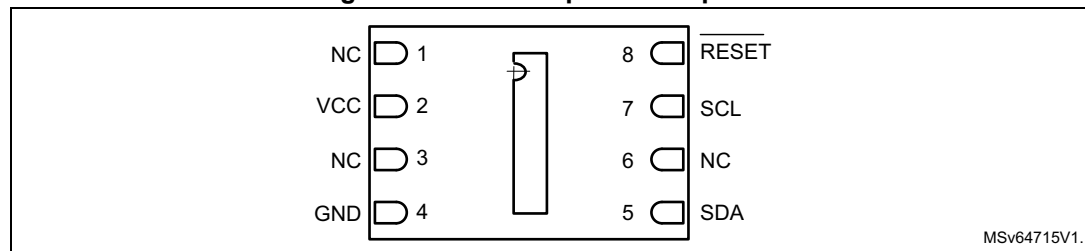
The STSAFE-A110 are delivered with an ST CA certificate that allows authenticity verification of the leaf certificates present in each STSAFE-A110 device.

## 1.3 Pin descriptions

**Figure 3. SO8N pinout - Top view**



**Figure 4. UDFPN8 pinout - Top view**



[Table 1](#) provides the name and description of the four contacts on the STSAFE-A110 device. Details on each are provided later in this text.

**Table 1. Signal descriptions**

Signal	Name	Description
V <sub>CC</sub>	Supply voltage	The 1.62 to 5.5 V supply voltage is supported for powering all internal STSAFE-A110 functions.
GND	Supply and signals ground	Ground reference pin for power and all I/O signals.
$\overline{\text{RESET}}$	Reset	This input signal is used to reset STSAFE-A110. The $\overline{\text{RESET}}$ pin is pull-down by default meaning that the device is reset if connected to ground or if the pin is floating. The device is active if the $\overline{\text{RESET}}$ pin is tied high.



**Table 1. Signal descriptions (continued)**

Signal	Name	Description
SCL	Serial clock	This input signal is used to strobe all data in and out of STSAFE-A110. The signal is an input signal only and does not support the clock stretching mode common to generic I <sup>2</sup> C. The Clock signal is driven by the I <sup>2</sup> C master.
SDA	Serial data	This I/O signal is used to transfer data into and out of STSAFE-A110. The signal uses an open drain output configuration. An external pull-up resistor is used to “pull up” the output.
NC	-	Not connected internally

## 2 Asymmetric cryptography use cases

This chapter illustrates the many uses of an STSAFE-A110 device using asymmetric cryptography.

### 2.1 Authentication

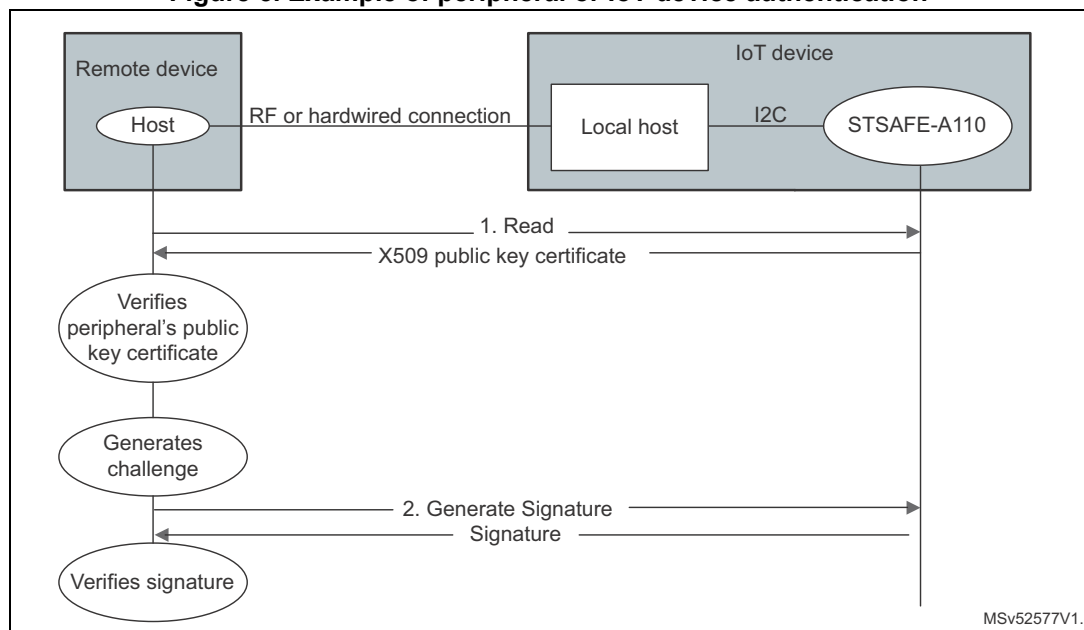
This scenario illustrates the command flow where the STSAFE-A110 is mounted on a device that authenticates to a remote host (IoT device case), the local host being used as a pass-through to the remote server.

The scenario where the STSAFE-A110 is mounted on a peripheral that authenticates to a local host, for example games, mobile accessories or consumables, is exactly the same.

#### Command flow (see [Figure 5](#))

- Obtain the public key of the STSAFE-A110 chip in the host device:
  - Command 1 is used to read the X509 public key certificate from the data partition of the STSAFE-A110 chip.
  - The host device verifies the X509 public key certificate with the CA public key (the host is responsible for getting a copy of this key). When the verification process succeeds, the host device has an authentic copy of the STSAFE-A110 public key that it will use later on for verification of the signature.
- The host device generates a challenge and stores it for later use in the verification of the signature. The host device then computes a hash of this challenge and sends it to the STSAFE-A110 in Command 2 in order to fetch the signature that the STSAFE-A110 chip computed with its private key. The host device verifies the signature with the STSAFE-A110 public key (obtained in the first step of this scenario). When valid, the host knows that the peripheral or IoT is authentic.

**Figure 5. Example of peripheral or IoT device authentication**



## 2.2 Key establishment

This use case shows how to generate the same shared secret in the local host and in the remote host without having to exchange it. The principle consists in generating two ECC ephemeral key pairs on both sides. Then, after exchanging the public keys of these two key pairs, the local host and the remote host run an ECDH scheme to calculate the shared secret.

The goal of this use case is to share a secret between the local host and the remote server using the elliptic curve Diffie-Hellman (ECDH) scheme with a static key in the STSAFE-A110. The STSAFE-A110 also supports ECDHE that utilizes an ephemeral key, but this is not illustrated.

The shared secret should further be derived to one or more session keys, but this is not illustrated here. The session keys can then be used in communication protocols like TLS for example for protecting the confidentiality, integrity and authenticity of the data that are exchanged between the local host and the remote server. Below are some examples of data:

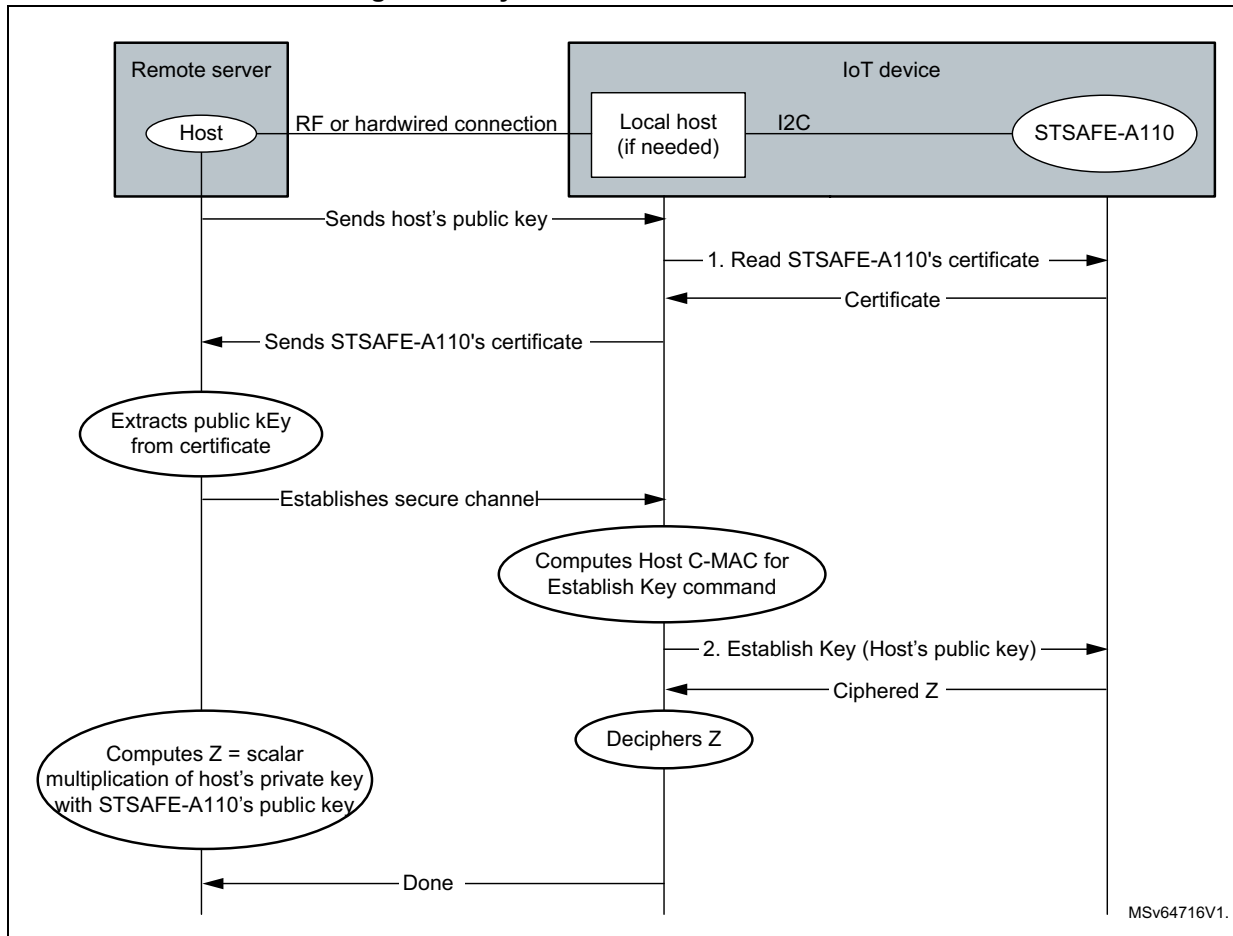
- From the local host to the remote server: power consumption of a smart meter, alarm of a fire sensor or blood pressure data of a health sensor.
- From the remote server to the local host: activating the recharge of the battery of an electric car, activating home appliances like air conditioning or water heaters, or pushing firmware upgrades to IoT devices.

Because the Establish Key command needs to be MACed and its answer is encrypted to avoid eavesdropping on the shared secret, the scenario assumes that the local host has set up a host C-MAC and cipher keys as described in [Section 3.1: Host secure channel setup use case](#). It is also assumed that the local host knows the host C-MAC sequence counter; if not, it can send a Query command to the STSAFE-A110.

### Command flow (see [Figure 6](#))

1. The remote host server sends its certificate to the local host. The local host extracts the public key and can optionally verify the validity of the certificate. In its response, the local host sends the STSAFE-A110's certificate.
2. The remote server verifies the STSAFE-A110's X.509 public key certificate with the CA public key (the host is responsible for getting this key). When the verification succeeds, the remote server has an authentic copy of the STSAFE-A110's public key.
3. The remote server then computes a shared secret (Z) by doing a scalar multiplication of the Host's Private key with the STSAFE-A110's public key.
4. The remote server requests the local host to establish a secure connection.
5. The local host computes the Host's C-MAC for the Establish Key command
6. The local host sends the STSAFE-A110 an Establish Key command providing the remote host's public key appended with the previously computed host's C-MAC. The STSAFE-A110 does the same operation as the remote host server, and performs the scalar multiplication of its private key with the remote server's public key to compute the shared secret (Z). It then encrypts the response using the Host's cipher key.
7. The local host reads the STSAFE-A110's answer and deciphers the shared secret (Z) with the locally stored host's cipher key.
8. The remote host server and the local host have a shared secret Z.

Figure 6. Key Establishment command flow



### 2.3 TLS Handshake protocol

This use case shows how the STSAFE-A110 can be used by a local host for implementing the transport layer security (TLS) protocol version 1.2. that is specified in RFC 5246.

All details of the TLS handshake protocol are explained in RFC 5246. The intention of this section is not to re-explain all details or all TLS-specific terminology; the main focus is on the interaction of the local host with the STSAFE-A110 while briefly illustrating how it fits in the overall TLS protocol flow.

A local host can use the STSAFE-A110 on the TLS client and TLS server side for implementing the following cryptographic mechanisms of the TLS handshake protocol:

- Secure random generation. It is useful in the Client Hello and Server Hello messages.
- Signature generation with ECDSA using a private key that is securely stored in the STSAFE-A110. It is useful for generating the signatures in the Server Key Exchange message and Certificate Verify message. The local host is responsible for generating the SHA-256 or SHA-384 message digest and for sending the digest to the STSAFE-A110 in the command data.

- Signature verification with ECDSA and a public key that is sent by the local host to the STSAFE-A110. It is useful for verifying the peer's certificate chain in the Certificate message. It is also useful for verifying the signatures in the Server Key Exchange message and Certificate Verify message. The local host is responsible for generating the SHA-256 or SHA-384 message digest and for sending the digest to the STSAFE-A110 together with the public key and a reference to the curve that must be used.
- Ephemeral key pair generation in the STSAFE-A110. It is useful when ECDHE has been chosen as the key exchange algorithm. The STSAFE-A110 stores the private key and returns the public key to the local host for inclusion in the Server Key Exchange and Client Key Exchange messages.
- ECDH or ECDHE with a static (ECDH) or an ephemeral (ECDHE) private key in the STSAFE-A110. The local host must send the peer's public key from the Server Key Exchange or Client Key Exchange message to the STSAFE-A110, which returns the shared secret that is encrypted with the Host's Cipher Key. After decryption with the Host's Cipher Key, the local host can use the shared secret as the pre-master secret of the TLS handshake protocol.

The STSAFE-A110 does not implement the following cryptographic mechanisms of the TLS handshake protocol:

- conversion of the pre-master secret into the master secret
- generation of the verify data in the Finished message
- expansion of the master secret into a key block that may include a client write MAC key, a server write MAC key, a client write encryption key, a server write encryption key and two initial values
- MACing, encryption and decryption of application data with keys from the key block

The command flow illustrates the integration of the STSAFE-A110 on the TLS client's side using ECDSA as the signature algorithm and ECDHE as the key exchange algorithm. The STSAFE-A110 can also be integrated on the TLS server's side but this is not illustrated here.

### Command flow (see [Figure 7](#))

1. The TLS client sends the Client Hello message including the client version, a random that can be obtained from the STSAFE-A110 with the Generate Random command (1), a session ID, the list of supported cipher suites and compression methods and an extension that lists the supported signatures and hash algorithms.
2. The TLS server sends the Server Hello message including the protocol version, a random, a session ID and the chosen cipher suite and compression method. The TLS server also sends the Certificate message including the X509 certificate chain of the TLS server. Upon reception of this message, the local host of the TLS client may use the STSAFE-A110 for verifying the certificate chain. Therefore, the local host must parse every certificate from the chain, hash the *To Be Signed* (TBS) data and send the Verify Signature command (2) to the STSAFE-A110. In the Verify Signature command data, the local host must include a reference to the curve that must be used, the public key, the signature and the hash. The STSAFE-A110 responds with an indication of whether the verification was successful or not. When the certificate chain is composed of more than one certificate, the Verify Signature command must be sent as many times as there are certificates in the chain (this is not illustrated in [Figure 7](#)).

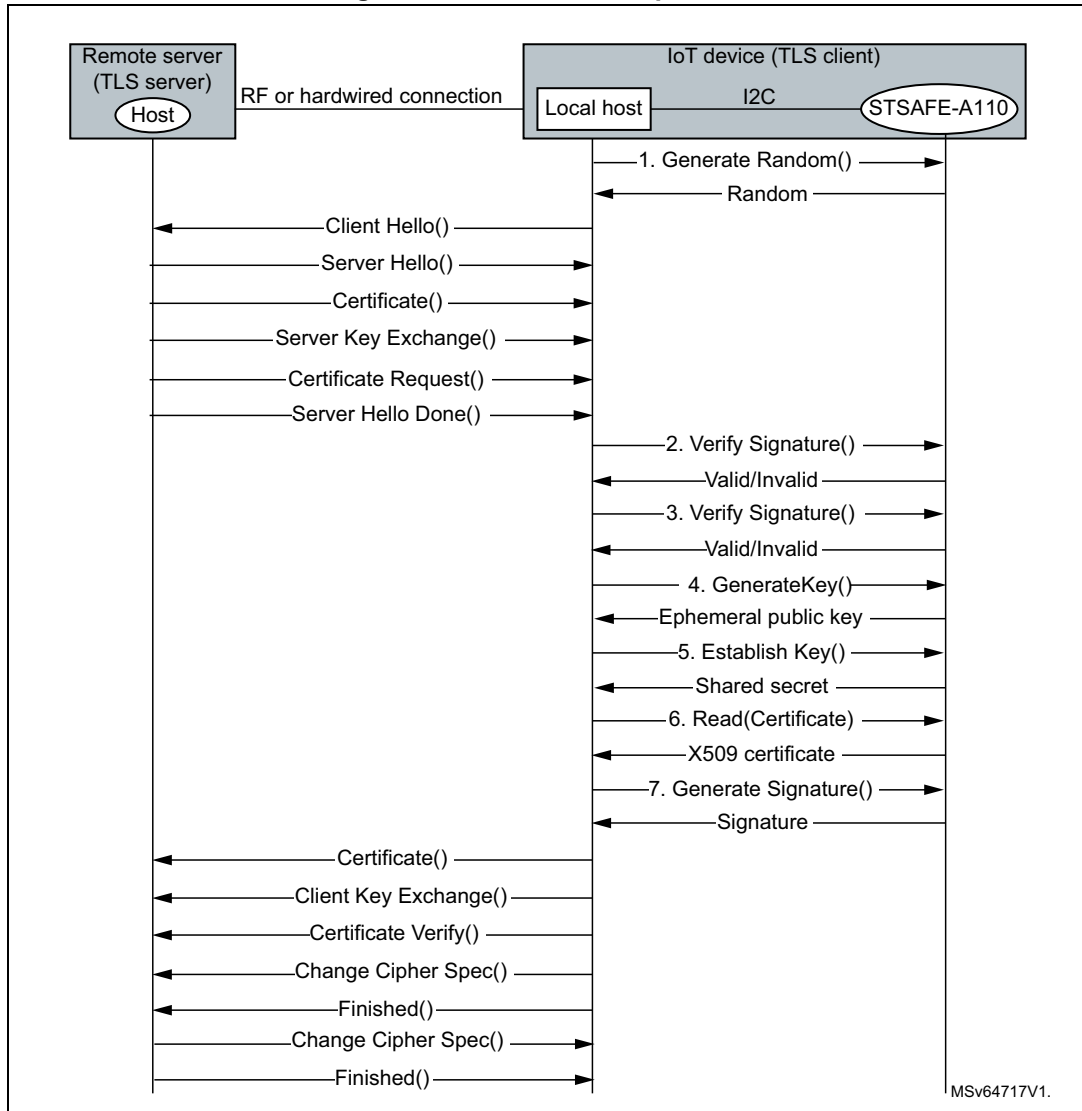
3. The TLS server sends the Server Key Exchange message including the Diffie-Hellman public key of the TLS server and a signature over the server key exchange parameters. Upon reception of this message, the local host of the TLS client may use the STSAFE-A110 for verifying the signature with the Verify Signature command (3) and the same mechanisms that were applied in step 2.
4. When the signature is valid, the local host may use the Generate Key command 4 of the STSAFE-A110 for generating an ephemeral key pair in the STSAFE-A110. The command data take a reference to the curve that must be used, and the response data includes the public key of the freshly generated key pair. The Generate Key command (4) requires a Host C-MAC in the command but this is not illustrated here (see [Section 3.1](#)).
5. The local host can now use the Establish Key command (5) of the STSAFE-A110 and give the public key of the TLS server in the command data. The response data contains the shared secret that is computed with ECDHE using the ephemeral private key in the STSAFE-A110 and the public key of the TLS server. The shared secret in the response data is encrypted with the Host's Cipher key and the Establish key command also requires a Host C-MAC. The local host must compute the Host C-MAC and decrypt the response data to obtain the plain-text shared secret that can be used as the pre-master secret of the TLS handshake protocol. The mechanisms linked to the Host C-MAC and Host's Cipher key are not illustrated here (see [Section 3.1](#)). The local host can now derive the pre-master secret to the master secret and apply the expansion algorithm to obtain the key block; these functions, however, cannot be executed by the STSAFE-A110.
6. The TLS server sends the Certificate Request message including the signature and hash algorithms that are supported by the TLS server. The TLS server also sends the Server *Hello Done* message. The TLS client sends the Certificate message including the X509 certificate chain of the TLS client. This chain may include the X509 certificate of the static private key of the STSAFE-A110, which can be read from it with a Read command (6). This command can typically be executed upon setup of the IoT device and can then be cached by the IoT device so that there is no need any longer to read it from the STSAFE-A110. In case of long certificates, the Read command may be sent multiple times but this is not illustrated in [Figure 7](#).
7. The TLS client sends the Client Key Exchange message including the ephemeral Diffie-Hellman public key that was obtained in step 5 in the Establish Key response data from the STSAFE-A110. The TLS client sends the Certificate Verify message including a signature over all handshake messages that have been exchanged so far. The local host may use the STSAFE-A110 for generating this signature. The local host must therefore hash the To Be Signed message and send it to the STSAFE-A110 in the command data of the Generate Signature command (7). The STSAFE-A110 uses its static private key for generating the signature that is returned in the response data.

The handshake protocol continues without any further interaction with the STSAFE-A110.

- The TLS client sends the Change Cipher Spec command.
- The TLS client sends the Finished command including the verify data computed with the Pseudo Random Function, the master secret and all handshake messages exchanged so far.
- The TLS server sends the Change Cipher Spec command.
- The TLS server sends its own Finished command that must be verified by the TLS client.

- The TLS client and TLS server can now exchange applicative data that are protected with keys from the key block. The local host however cannot use the STSAFE-A110 for MACing, encryption and decryption with keys from the key block.

Figure 7. TLS handshake protocol



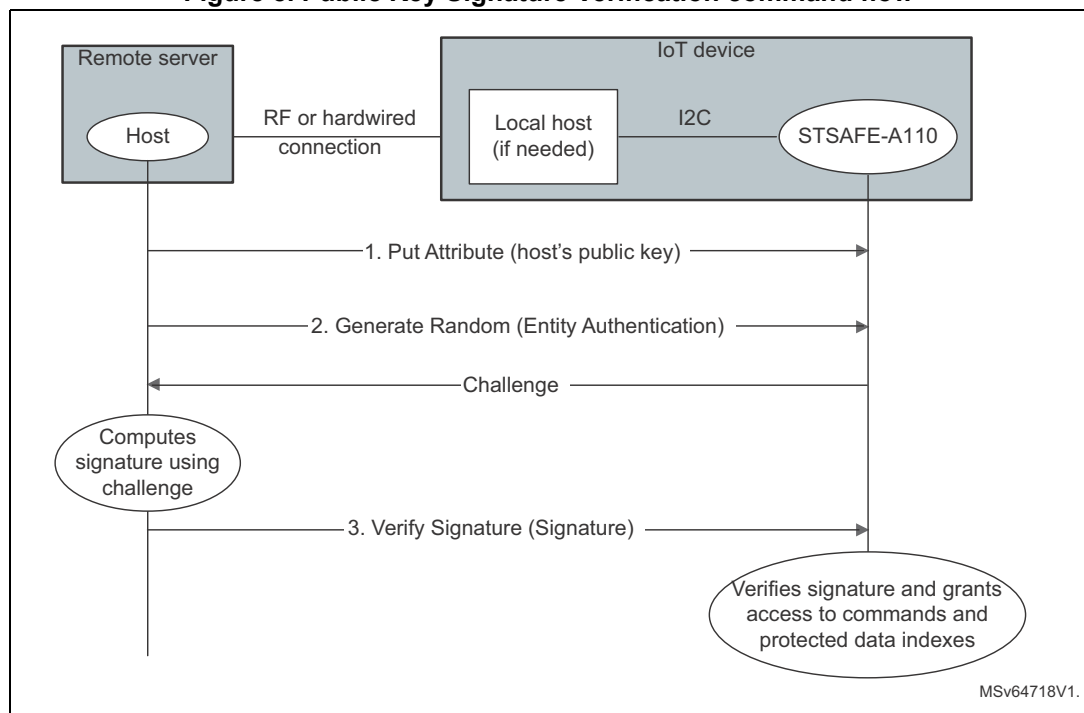
## 2.4 Public key signature verification

The STSAFE-A110 supports signature verification. It can be used to allow an IoT device to verify the authenticity of a remote server or of the local host firmware used at secure boot or loaded for firmware update.

### Command flow (see [Figure 8](#))

1. The local host computes a hash over the message.
2. The local host needs the Public Key that corresponds to the private key that was used to generate the signature. This key could be stored in the STSAFE-A110 data partition, so the local host could use the Read command to get it.
3. The local host needs the ID of the curve used to sign the message.
4. The local host sends the STSAFE-A110 the Verify Signature[Hash, Signature, Public Key, Curve ID] command
5. The STSAFE-A110 verifies the signature and replies with Valid / Invalid.

**Figure 8. Public Key Signature Verification command flow**



## 2.5 Applicative data storage

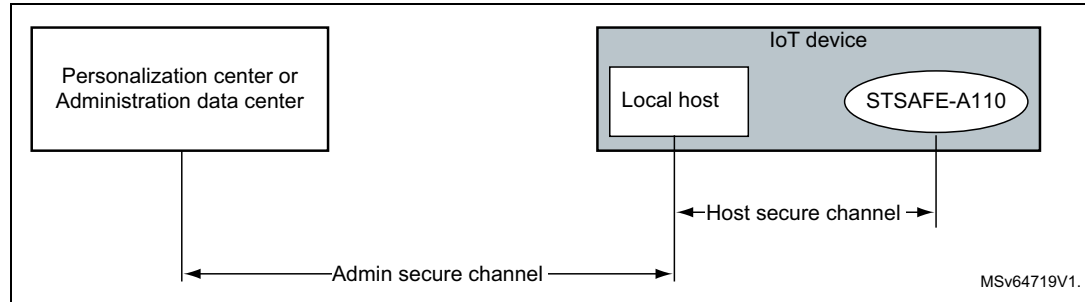
The device comes with 6 Kbytes of EEPROM configurable by the customer for its application data storage. These 6 Kbytes can be partitioned with the appropriate access rights.



### 3 Pairing with a local host

To protect and authenticate the link between the STSAFE-A110 and the local host, some secure channel protocols using symmetric cryptography have been put in place, namely the host secure channel.

**Figure 9. Host and Admin secure channels**



The host secure channel protocol protects the link between a local host and the STSAFE-A110 chip; it constitutes a kind of pairing. It is based on a set of four mechanisms using two symmetric keys, the so-called host keys. These keys are used to MAC the commands (C-MAC) and respective responses (R-MAC). They are also used to encrypt the commands and their respective response to avoid eavesdropping.

#### 3.1 Host secure channel setup use case

In order to execute some specific commands requiring a C-MAC, the local host needs to generate a Host MAC key and a Host cipher key. It puts these keys into the STSAFE-A110's Host key slots.

The PUTATTRIBUTE command is used to input the keys into the STSAFE-A110. It is a free command until the slots are populated.

The DELETEKEY command deletes the keys. This command requires the Admin secure channel.

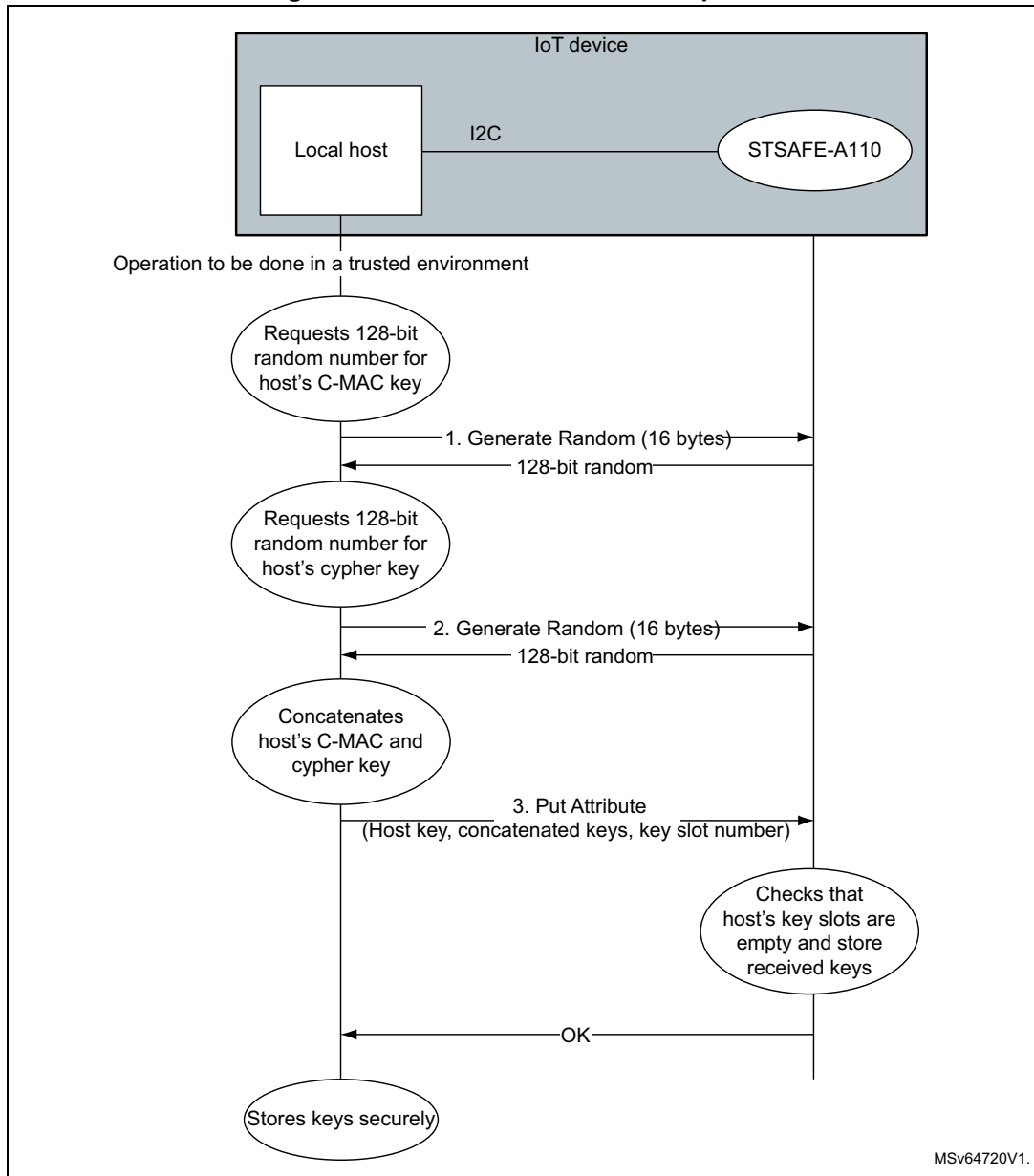
##### Command flow

This use case assumes that the slots are empty, and cannot be implemented a second time without first deleting the keys present in the slots.

This operation shall be performed in a secure environment, such as the customer manufacturing plant.

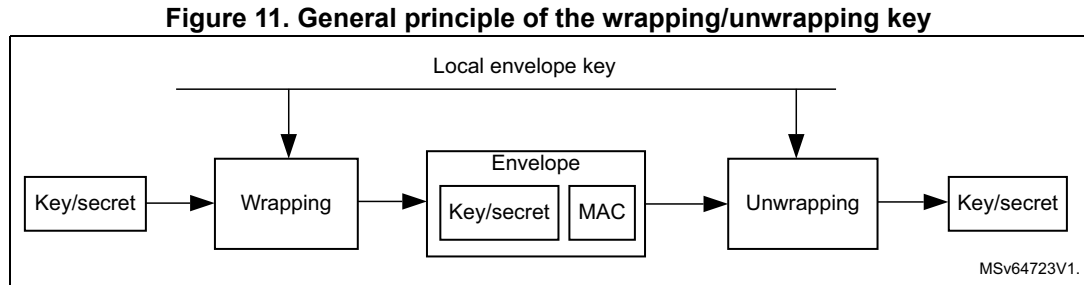
1. The local host requests the STSAFE-A110 to generate a 128-bit random to be used as the host C-MAC key.
2. The local host requests the STSAFE-A110 to generate a 128-bit random to be used as the host cipher key.
3. The local host sends the PUT ATTRIBUTE command for the "Host key slot" attribute, together with the two generated keys (forming a 256-bit payload).
4. The STSAFE-A110 chip stores the keys into their respective slots and returns a successful response.
5. The local host stores the host C-MAC & cipher keys to a secure area.

Figure 10. Host secure channel setup case



### 3.2 Local envelope wrapping/unwrapping

The local envelope wrap/unwrap mechanism is used to securely store NVM keys or plain text to an unprotected IoT.



Wrapping is the mechanism used to protect a secret or plain text. The output of wrapping is an envelope.

The envelope consists of the key or plain text to be protected, encrypted with an AES key wrap algorithm. The algorithm uses a local envelope key for a local envelope. The envelope also contains the MAC of the encrypted key or plain text to authenticate the envelope.

Unwrapping is the mechanism used to decrypt the envelope and recover the key or plain text.

Typically, the STSAFE-A110 can be used to wrap local host temporary keys.

These temporary keys can be sent to the STSAFE-A110 chip in the command data of the WRAP LOCAL ENVELOPE command. In the response, an STSAFE-A110 chip returns an envelope, which contains the encrypted temporary key and a MAC. Such an envelope is known as a local envelope.

The local host can use the UNWRAP LOCAL ENVELOPE command to retrieve the temporary key. The wrapping and unwrapping processes utilize a key from one of the local envelope key slots and the AES key wrap algorithm.

The WRAP LOCAL ENVELOPE command data and the UNWRAP LOCAL ENVELOPE command response data must be encrypted. Both commands require a valid local host's C-MAC. The local host may optionally request a response MAC (R-MAC).

#### Local envelope key slots

The STSAFE-A110 supports two local envelope key slots.

Each slot can store an AES-128- or AES-256-bit key that can be used for the wrapping and unwrapping of local envelopes.

A local envelope key is generated randomly by the STSAFE-A110 chip with the GENERATE KEY command, and can take an optional seed. Although this command is a free operation, it is only authorized when the key is not yet present in the slot. As soon as the key is written, the operation is refused.

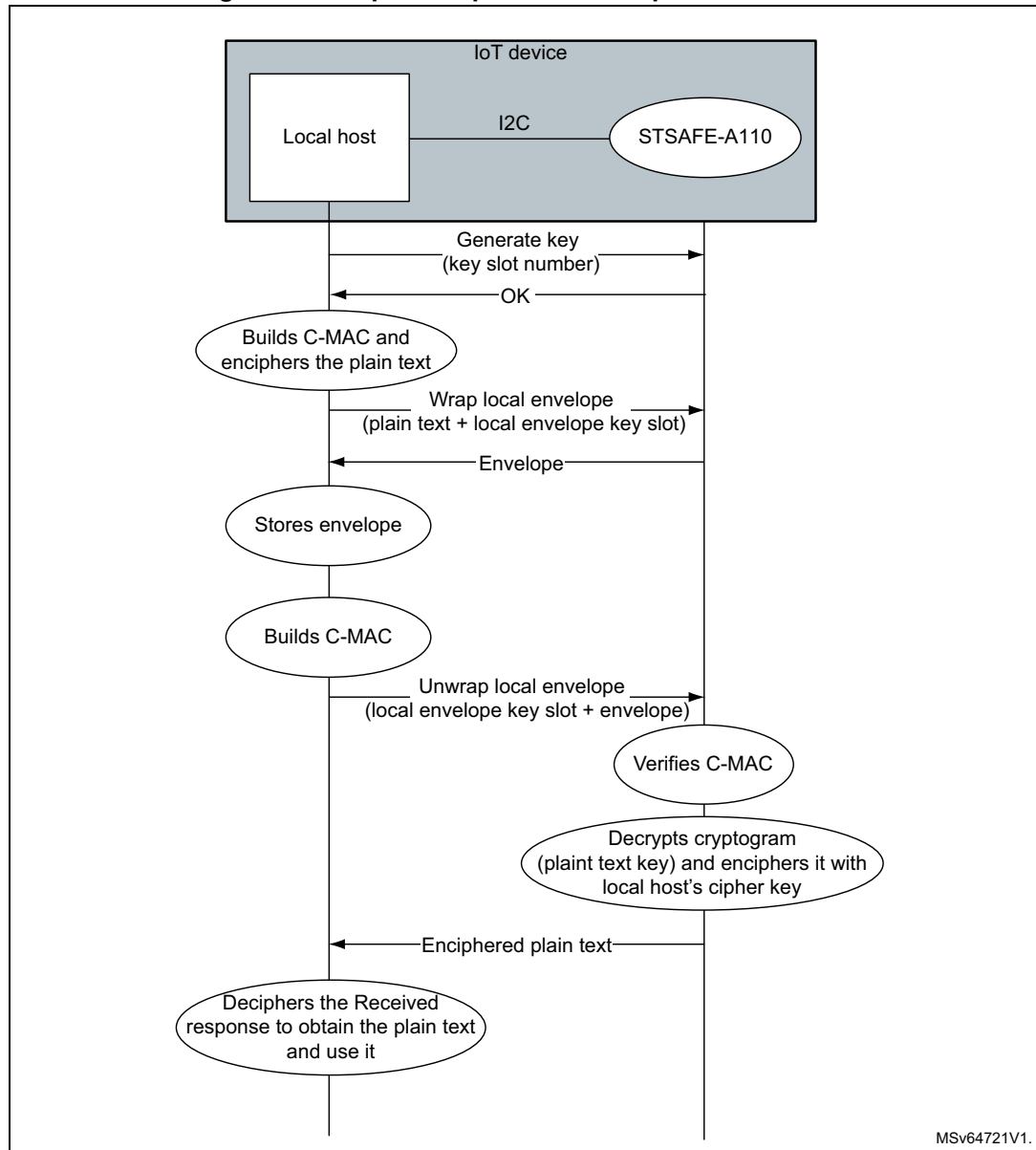
A local envelope key never leaves the STSAFE-A110 chip.

A local envelope key can be deleted from its slot with the DELETE command, which requires authorization with a valid Admin C-MAC. As soon as the key is deleted from its slot, a new key can be generated.

**Command flow (see [Figure 12](#))**

1. Generation of the local envelope Key
  - The local host queries the STSAFE-A110 to randomly generate a local envelope key in one of the two slots, using the GENERATE KEY command.
2. Wrapping of local envelope
  - The local host builds the local envelope by using the STSAFE-A110's Wrap local envelop command
  - This command requires a local host's C-MAC, plain text data (usually a cryptographic key that needs to be encrypted with the host's cipher key) and the local envelope key slot number (the key to use for encryption of plain text data).
  - The response to the Wrap Local envelope command contains the envelope (plain text is encrypted using the Local envelope key).
3. Unwrapping of local envelope by receiver
  - The local host provides the local envelope to the STSAFE-A110 by using the Unwrap local envelop command and the local envelope key slot.
  - The host must generate a local host's C-MAC with the command.
  - The STSAFE-A110 provides the envelope cryptogram (usually a cryptographic key) decrypted with the local envelope key) in its response.
  - The response is encrypted using the host's cipher key.
  - The host decrypts the response with the host's cipher key and obtains the decrypted envelope cryptogram.

Figure 12. Wrap/Unwrap Local Envelop command flow



MSv64721V1.

### 3.3 Symmetric signature, verification, encryption and decryption with keys from the symmetric key table

The STSAFE-A110 offers 16 slots for the storage of 128-bit AES keys to execute data signature generation or verification or/and data encryption or decryption. These 16 slots form what is known as the symmetric key table.

Before use, the keys must be personalized in the different slots. This personalization is only possible through an Admin session.

This service is recommended for customers that have the capacity to configure their devices in a secure manner.

## 4 Command set

### Echo

Returns as a response the data that it received as command data.

### Reset

Interrupts any on-going session.

### Generate Random

Returns the requested number of random bytes.

### Hibernate

Sets the product in very-low-power consumption mode. In Hibernate mode, the device remains powered but loses its context. Exiting from Hibernate mode can be performed by triggering the Reset pin or through an I<sup>2</sup>C start condition. The device restart is equivalent to a restart after a reset or Power On Reset.

### Decrement

Decrements the one-way counter in a counter zone. When the counter reaches zero, the command is refused.

### Read

Used to read data from a data partition zone. It will read the data starting from the specified offset within the zone and with the requested length. It will check the access conditions (for example, MAC) and only return the data starting from the specified offset up to the zone boundary.

This command can also be used to change the read access conditions of the zone to a more stricter value.

### Update

Used to update data in a zone. It checks if the written data will exceed the zone boundary and if so, does not perform the operation. It also checks whether the access condition is satisfied (for example, MAC) and if not, does not perform the operation.

This command can also be used to change the update access conditions of the zone to a stricter value.

### Verify Signature

This command is used for message authentication. It verifies the signature over the message digest that is computed by the host and given to the STSAFE-A110 chip in the command data together with the public key, the ID of the curve and the signature.

**Establish Key**

This command can be used to establish a shared secret between two hosts by using asymmetric cryptography. The STSAFE-A110 chip computes and provides the shared secret using a private key already in the STSAFE-A110, the provided host's public key and a selected ECC.

**Query**

Used to check how the chip is configured.

**Generate Key**

This command is used to generate key pairs (asymmetric cryptography) or local envelope keys (symmetric cryptography).

**Wrap Local Envelope**

This command is used to wrap data (typically session keys that are entirely managed by the local host) with a local key envelope using an AES key wrap algorithm.

**Unwrap Local Envelope**

This command is used to unwrap a local envelope with a local envelope key.

**Encrypt**

This command is used to encrypt data with one of the AES keys in the symmetric key table.

**Decrypt**

This command is used to decrypt data with one of the AES keys in the symmetric key table.

**Generate MAC**

This command is used to sign data with one of the AES keys in the symmetric key table.

**Verify MAC**

This command is used to verify data with one of the AES keys in the symmetric key table.

**Put Attribute**

This command is used to put attributes in the STSAFE-A110 chips like keys, a password, the host's public key or I<sup>2</sup>C parameters.

**Verify Password**

This command performs password verification and remembers the outcome for future authorization of Put Attribute commands.

## 5 Electrical characteristics

This section summarizes the operating and measurement conditions, and the DC and AC characteristics of the device. The parameters in the DC and AC characteristic tables that follow are derived from tests performed under the measurement conditions summarized in the relevant tables. Users should check that the operating conditions in their circuit match the measurement conditions when relying on the quoted parameters.

### 5.1 Absolute maximum ratings

Operation of STSAFE-A110 at ranges above the absolute maximum specifications may cause permanent device damage. Exposure to absolute maximum rating conditions for extended periods may affect device reliability.

**Table 2. Absolute maximum ratings**

Name	Description	Conditions	Min.	Max.	Units
$V_{CC\ ABS}$	Absolute maximum power supply	Pins: $V_{CC}$	-0.3	7	V
$V_{IO}$	Input or output voltage relative to ground	-	-0.3	$V_{CC\ ABS} + 0.3$	V
$V_{ESD}$	Electrostatic Discharge Voltage according to EIA/JEDEC JESD22-A114E specification	Human Body Model. All pins according to specification	-	$\pm 5000$	V
$V_{LU}$	Max over voltage for Latch-up Immunity according to EIA/JEDEC - JESD78 specification	Class 1 / Level A Maximum operating temperature		$1.5 \times V_{CC\ ABS}$	V
$T_A$	Ambient operating temperature	-	-40	105	°C
$T_{STG}$	Storage temperature	-	-65	150	°C
$T_{LEAD}$	Lead temperature during soldering <sup>(1)</sup>	-	-	260	°C

1. SO8N and UDFPN8 lead temperature during soldering shall be compliant with JEDEC Std J-STD-020D (for small body, Sn-Pb or Pb assembly), ST ECOPACK® 7191395 specification, and the European directive on Restrictions on Hazardous Substances (ROHS directive 2011/65/EU, July 2011).

### 5.2 Power supply

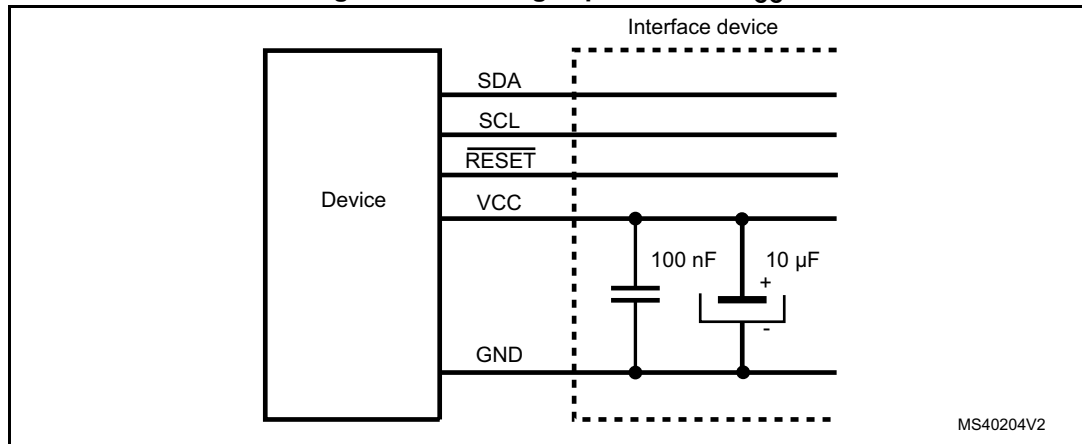
The circuit includes a DC/DC converter that supplies the internal logic and memories with a low operating voltage. The device can operate with external voltages of 1.62 V to 5.5 V nominally, through GND and  $V_{CC}$  pins.

In order to filter spurious spikes on the supply voltage pins, decoupling capacitors (100 nF and 10  $\mu$ F) must be added to the interface device as shown on [Figure 13](#). They must be wired between GND and  $V_{CC}$  pins.

*Note:* For each device, the 100 nF decoupling capacitor must be located as close as possible to the device (within a few millimeters). If there are multiple power supplies, a 10  $\mu$ F filtering capacitor must be located on each one.



Figure 13. Filtering capacitors on V<sub>CC</sub>



### 5.2.1 Power supply specifications

Table 3 provides the detailed description of the power requirements of STSAFE-A110.

Table 3. Power supply specifications

Name	Description	Conditions	Min.	Typ.	Max.	Units
V <sub>POR</sub>	Power on reset voltage	-	1.35	1.45	1.55	V
V <sub>CC</sub>	Supply voltage	V <sub>CC</sub> to GND	1.62	-	5.5	V
V <sub>CC-HIPS</sub>	High power supply detection	-	5.6	6.3	6.9	V
I <sub>CC-PROC</sub>	Supply current while processing a command	-	14	18	21	mA
I <sub>CC-STDBY</sub>	Supply current in standby	IO pulled up to V <sub>CC</sub> , T <sub>A</sub> = 25 °C, 3 V to 5 V	160	245	460	µA
I <sub>CC-RESET</sub>	Supply current during reset	RESET = 0	200	450	800	µA
I <sub>CC-HIBERNATE</sub>	Supply current during hibernate	RESET = 1 <sup>(1)</sup> T <sub>A</sub> = 25 °C	0.2	1.1	3	µA

1. RESET must be tied to V<sub>CC</sub> ± 200mV in case of Wake-up from Hibernate on Reset event selected. RESET, SDA and SCL must be tied to V<sub>CC</sub> ± 200mV in case of Wake-up from Hibernate on Reset event or I<sup>2</sup>C start condition selected.

### 5.2.2 Power-on and power-off sequences, and power supply glitch tolerance

The power-on sequence on STSAFE-A110 products need to follow the requirements mentioned below:

- The RESET pin must not be tight to High prior to the V<sub>CC</sub> power pin.
- The RESET pin must be tied low prior to or simultaneously with the V<sub>CC</sub> pin.
- The voltage applied to the V<sub>CC</sub> pin must be less than or equal to 0.3 V prior to starting a new power-on sequence.

For security purposes, the STSAFE-A110 embeds detectors. When these are triggered, the STSAFE-A110 device enters the Reset state until a power cycle or a reset event occurs.

It is recommended to use an application that is able to manage the  $\overline{\text{RESET}}$  pin through a host GPIO to force reset upon alarm detection.

### 5.2.3 Reset pin (external reset)

The circuit is in reset state when the Reset signal available on the  $\overline{\text{RESET}}$  pin is at logical level '0'. If this signal is low for less than  $t_{\text{WL}}$ , it is not taken into account.

When the  $\overline{\text{RESET}}$  pin is floating, an external reset is not available and the device will remain in a Reset state as the pin is connected to an internal weak pull-down.

When pin  $V_{\text{CC}}$  is tied high, if the  $\overline{\text{RESET}}$  pin switches from high to low and then to high again, a warm reset occurs. For more information, refer to [Figure 15: Warm reset sequence on page 26](#).

### 5.2.4 Power-on and reset sequence

Figure 14. Power-on and reset sequence

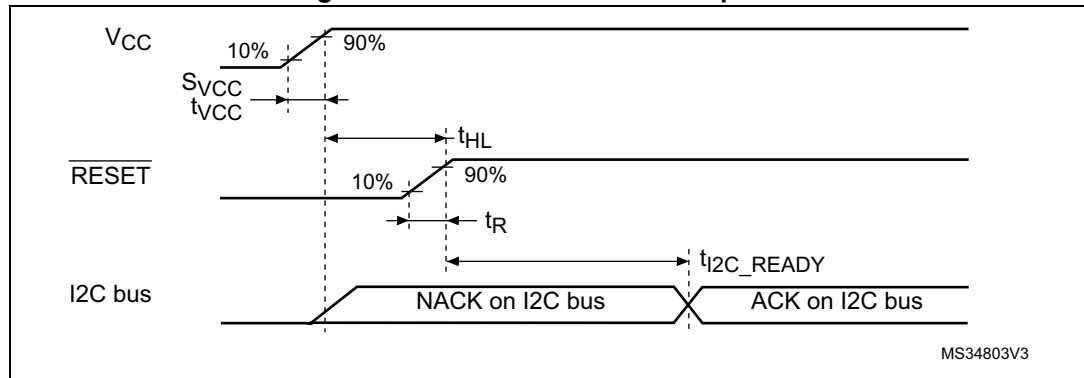


Figure 15. Warm reset sequence

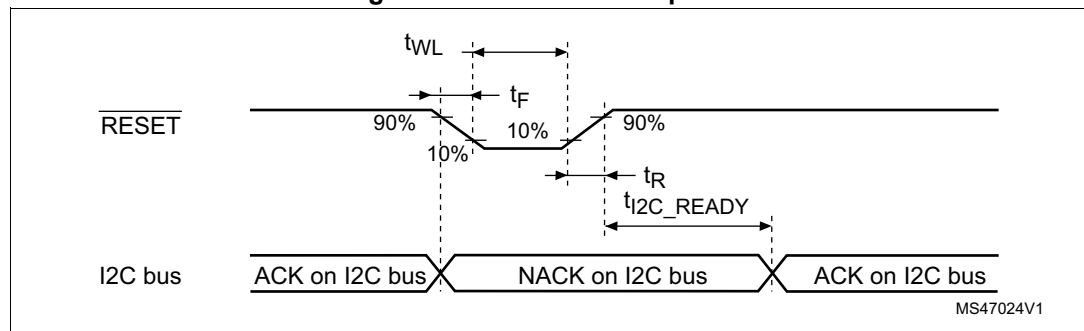


Table 4. Power-on and reset sequence timings

Name	Description	Conditions	Min.	Typ.	Max.	Units
$t_{\text{HL}}$	Minimum time before de-asserting $\overline{\text{RESET}}$ after power-up	-	0	-	-	$\mu\text{s}$
$S_{\text{VCC}}$	$V_{\text{CC}}$ rising slope (from 10% to 90% of nominal value)	-	0.05	-	5	$\text{V}/\mu\text{s}$

Table 4. Power-on and reset sequence timings (continued)

Name	Description	Conditions	Min.	Typ.	Max.	Units
T <sub>set_4mA</sub>	Minimum time required to supply 4 mA	From POWER OFF	-	-	500	ns
		From IDLE	-	-	150	
t <sub>WL</sub>	Pulse width for Reset	-	1	-	-	μs
t <sub>R</sub> /t <sub>F</sub> Reset	Reset rise and fall time	V <sub>CC</sub> > V <sub>POR</sub>	-	-	1	μs
t <sub>I2C_READY</sub>	Delay for STSAFE-A110 to accept I <sup>2</sup> C commands after a reset sequence.	-	20	-	50	ms

### 5.2.5 Power consumption optimization

When the STSAFE-A110 is not in use, it is possible to decrease its power consumption by removing the power supply properly.

This could be achieved by using a transistor to pilot the STSAFE-A110 power supply, or by using a GPIO able to provide an I<sub>CC-PROC</sub> current that respects the STSAFE-A110 powering conditions.

*Note:* The  $\overline{RESET}$  signal must remain low when power is removed.

## 5.3 DC characteristics

The following tables provide the detailed description of the DC operating conditions of STSAFE-A110 from 1.62 V to 5.5 V voltages.

Table 5. DC operating specifications and input parameters

Name	Description	Conditions	Min.	Max.	Units
V <sub>IH</sub>	Input high voltage	T = 25 °C	0.7 × V <sub>CC</sub>	-	V
V <sub>IL</sub>	Input low voltage	T = 25 °C	0	0.3 × V <sub>CC</sub>	V
I <sub>IH</sub>	Input high current	RST	0	20	μA
		SDA, SCL	-1	1	
I <sub>IL</sub>	Input low current	RST	0	2	μA
		SDA, SCL	-1	1	
V <sub>OL</sub>	Output low voltage	I <sub>OL</sub> = 1 mA	-	0.54	V
I <sub>OL</sub>	Output low current	V <sub>CC</sub> = 3.3 V and V <sub>OL</sub> = 0.4 V	3	-	mA
CIN1	SCL input capacitance	V <sub>IN</sub> = 0 to V <sub>CC Max</sub>	-	30	pF
CIN2	SDA input capacitance	V <sub>IN</sub> = 0 to V <sub>CC Max</sub>	-	30	pF

*Note:* V<sub>CC Max</sub> is the maximum V<sub>CC</sub> as defined in [Table 3: Power supply specifications](#).

## 5.4 AC characteristics

**Table 6. AC characteristics**

Name	Description	Min.	Typ.	Max.	Units
$t_R, t_F$ Reset	Reset rise and fall time	-	-	1	$\mu\text{s}$
$t_{WL}$	Pulse width for Reset	1	-	-	$\mu\text{s}$

**Table 7. I<sup>2</sup>C operating conditions**

Name	Description	Standard mode		Fast mode		Units
		Min.	Max.	Min.	Max.	
$f_{SCL}$	SCL frequency of sub-device: processor	-	100	-	400	kHz
$t_{HD;STA}$	Input low to Clock low (Start condition hold time)	4.0	-	0.6	-	$\mu\text{s}$
$t_{LOW}$	Low period of SCL clock	4.7	-	1.3	-	$\mu\text{s}$
$t_{HIGH}$	High period of SCL clock	4.0	-	0.6	-	$\mu\text{s}$
$t_{SU;STA}$	Clock high to Input Transition / Setup time for a (repeated) Start condition See Note	4.7	-	0.6	-	$\mu\text{s}$
$t_{HD;DAT}$	Clock low to Input transition	0 <sup>(1)</sup>	(2)	0 <sup>(1)</sup>	(2)	$\mu\text{s}$
$t_{SU;DAT}$	Input transition to Clock transition Data setup time	250	-	100	-	ns
$t_{SU;STO}$	Clock high to Input high (Stop)	4.0	-	0.6	-	$\mu\text{s}$
$t_{BUF}$	Input high to Input low (bus free between stop and start)	4.7	-	1.3	-	$\mu\text{s}$
$t_R$	Clock and Data rise time on load capacitance of 30 pF	-	1000	20	300	ns
$t_F$	Clock and Data fall time on load capacitance of 30 pF	-	300	10	300	ns

1. The device must internally provide a hold time of at least 300 ns for the SDA signal in order to bridge the undefined region of the falling edge of SCL.
2. The maximum  $t_{HD;DAT}$  could be 3.45  $\mu\text{s}$  and 0.9  $\mu\text{s}$  for Standard mode and Fast mode, but must be less than the maximum of  $t_{VD;DAT}$  or  $t_{VD;ACK}$  by a transition time. This maximum must only be met if the device does not stretch the LOW period ( $t_{LOW}$ ) of the SCL signal. If the clock stretches the SCL signal, the data must be valid by the setup time before it releases the clock.

**Table 8. I<sup>2</sup>C filter characteristics**

Symbol	Parameter	Min	Max	Unit
$t_{SP}^{(1)}$	Pulse width of spikes that are suppressed by filter	0	50	ns

1. Guaranteed by design, not tested in production

Figure 16. AC clock and data timings

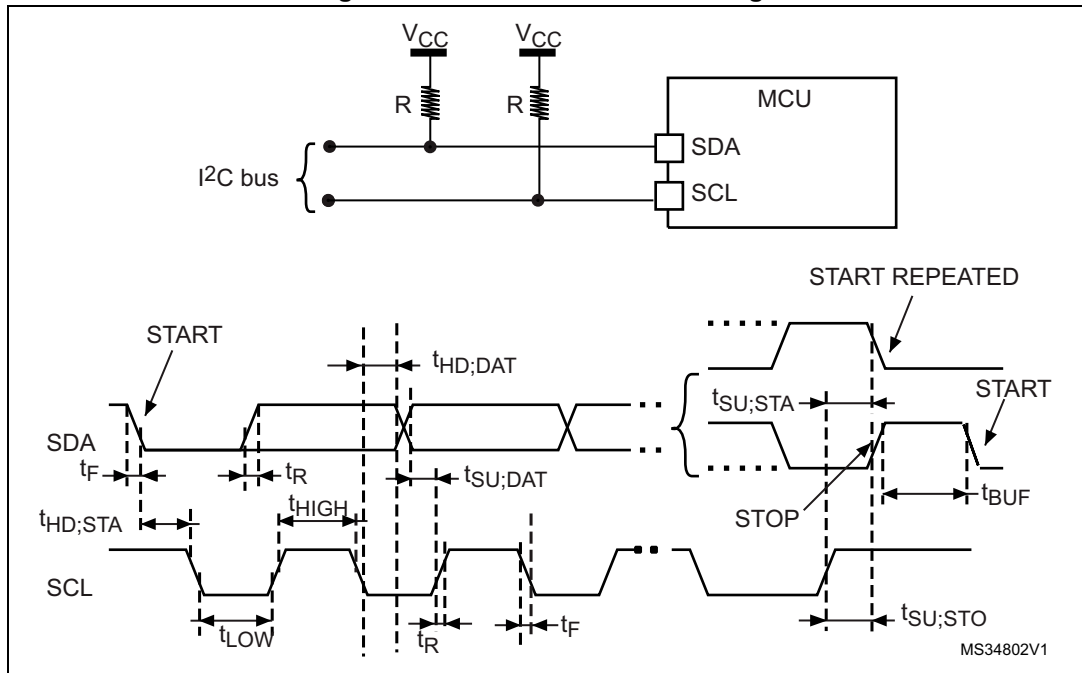


Table 9. AC measurement conditions

Description	Range	Units
Input pulse voltages	$0.2 \times V_{CC}$ to $0.8 \times V_{CC}$	V
Input and Output timing reference voltages	$0.3 \times V_{CC}$ to $0.7 \times V_{CC}$	V

## 6 Package information

In order to meet environmental requirements, ST offers these devices in different grades of ECOPACK packages, depending on their level of environmental compliance. ECOPACK specifications, grade definitions and product status are available at: [www.st.com](http://www.st.com). ECOPACK is an ST trademark.

### 6.1 SO8N package information

The SO8N package is an 8-lead plastic small outline, 150 mils body width, package.

Figure 17. SO8N – package outline

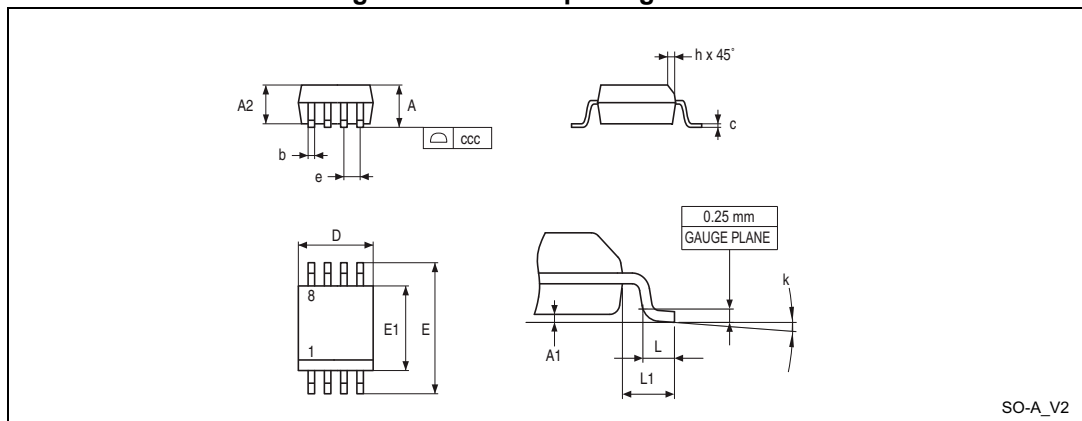


Table 10. SO8N – package mechanical data

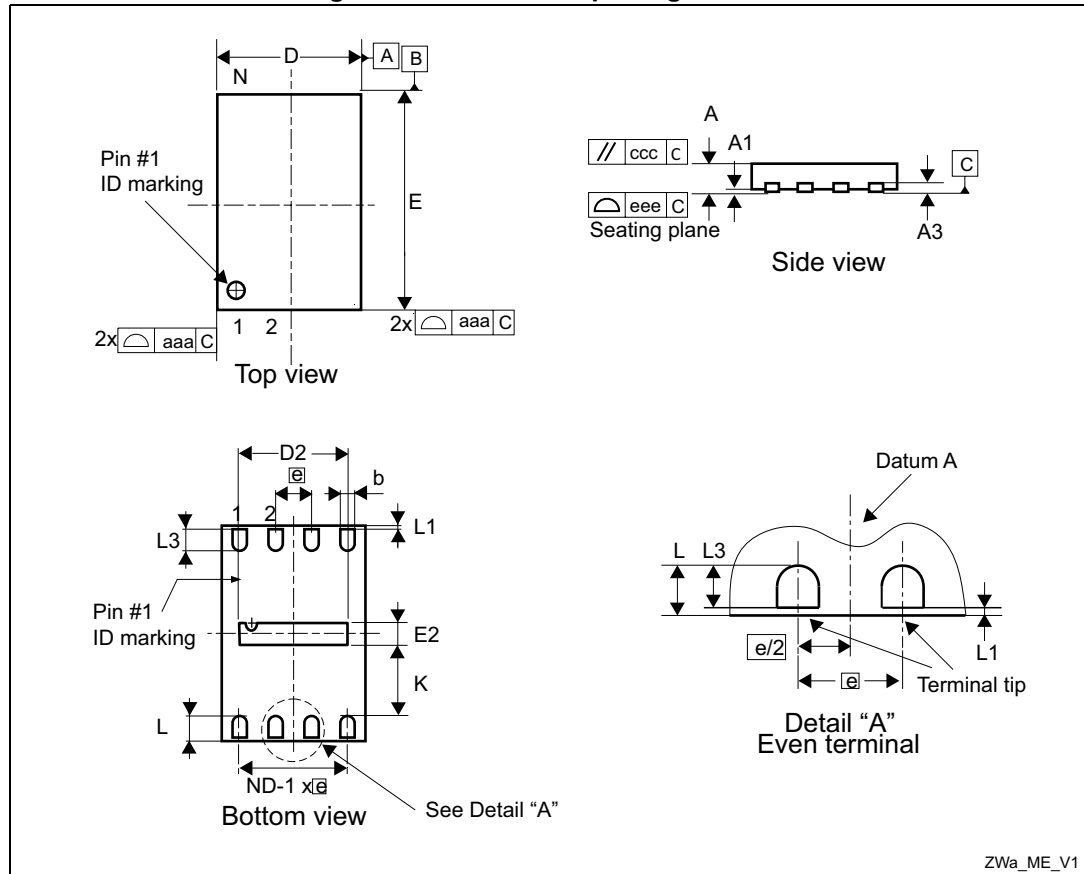
Symbol	millimeters			inches <sup>(1)</sup>		
	Min.	Typ.	Max.	Min.	Typ.	Max.
A	-	-	1.750	-	-	0.0689
A1	0.100	-	0.250	0.0039	-	0.0098
A2	1.250	-	-	0.0492	-	-
b	0.280	-	0.480	0.0110	-	0.0189
c	0.170	-	0.230	0.0067	-	0.0091
ccc	-	-	0.100	-	-	0.0039
D	4.800	4.900	5.000	0.1890	0.1929	0.1969
E	5.800	6.000	6.200	0.2283	0.2362	0.2441
E1	3.800	3.900	4.000	0.1496	0.1535	0.1575
e	-	1.270	-	-	0.0500	-
h	0.250	-	0.500	0.0098	-	0.0197
k	0°	-	8°	0°	-	8°
L	0.400	-	1.270	0.0157	-	0.0500
L1	-	1.040	-	-	0.0409	-

1. Values in inches are converted from mm and rounded to four decimal digits.

## 6.2 UDFPN8 package information

The UDFPN8 package is an 8-lead, 2 × 3 mm, 0.5 mm pitch, ultra thin profile fine pitch dual flat package.

Figure 18. UDFPN8 – package outline



ZWa\_ME\_V1

1. Max. package warpage is 0.05 mm.
2. Exposed copper is not systematic and can appear partially or totally according to the cross section.
3. Drawing is not to scale.

Table 11. UDFPN8 – package mechanical data

Symbol	millimeters			inches <sup>(1)</sup>		
	Min	Typ	Max	Min	Typ	Max
A	0.450	0.550	0.600	0.0177	0.0217	0.0236
A1	0.000	0.020	0.050	0.0000	0.0008	0.0020
b <sup>(2)</sup>	0.200	0.250	0.300	0.0079	0.0098	0.0118
D	1.900	2.000	2.100	0.0748	0.0787	0.0827
D2	1.500	1.600	1.700	0.0591	0.0630	0.0669
E	2.900	3.000	3.100	0.1142	0.1181	0.1220
E2	0.100	0.200	0.300	0.0039	0.0079	0.0118
e	-	0.500	-	0.0197		
K	0.800	-	-	0.0315	-	-
L	0.400	0.450	0.500	0.0157	0.0177	0.0197
L1	-	-	0.150	-	-	0.0059
L3	0.300	-	-	0.0118	-	-
aaa	-	-	0.150	-	-	0.0059
bbb	-	-	0.100	-	-	0.0039
ccc	-	-	0.100	-	-	0.0039
ddd	-	-	0.050	-	-	0.0020
eee <sup>(3)</sup>	-	-	0.080	-	-	0.0031

1. Values in inches are converted from mm and rounded to 4 decimal digits.
2. Dimension b applies to plated terminal and is measured between 0.15 and 0.30 mm from the terminal tip.
3. Applied for exposed die paddle and terminals. Exclude embedding part of exposed die paddle from measuring.





## Appendix A Glossary of terms

**Table 12. List of terms**

Term	Meaning
CA	Certificate authority
CC	Common Criteria
CMOS	Complementary metal oxide semiconductor
EAL	Evaluation assurance level
ECC	Elliptic curve cryptography
ECDH	Elliptic curve Diffie-Hellman (static key)
ECDHE	Elliptic curve Diffie-Hellman (ephemeral key)
ECDSA	Elliptic curve digital signature algorithm
EEPROM	Electrically erasable programmable read-only memory
IoT	Internet of things
LPWAN	Low-power wide-area network
MCU	Microcontroller unit
NIST	National Institute of Standards and Technology
OTA	Over the air
ST	STMicroelectronics
TLS	Transport layer security

## 8 Revision history

Table 13. Document revision history

Date	Revision	Changes
19-Dec-2019	1	Initial release.

**IMPORTANT NOTICE – PLEASE READ CAREFULLY**

STMicroelectronics NV and its subsidiaries ("ST") reserve the right to make changes, corrections, enhancements, modifications, and improvements to ST products and/or to this document at any time without notice. Purchasers should obtain the latest relevant information on ST products before placing orders. ST products are sold pursuant to ST's terms and conditions of sale in place at the time of order acknowledgement.

Purchasers are solely responsible for the choice, selection, and use of ST products and ST assumes no liability for application assistance or the design of Purchasers' products.

No license, express or implied, to any intellectual property right is granted by ST herein.

Resale of ST products with provisions different from the information set forth herein shall void any warranty granted by ST for such product.

ST and the ST logo are trademarks of ST. All other product or service names are the property of their respective owners.

Information in this document supersedes and replaces information previously supplied in any prior versions of this document.

© 2019 STMicroelectronics – All rights reserved