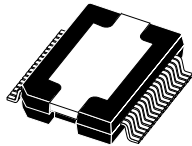


40 V, 4.5 A quad power half bridge



PowerSO-36
with exposed pad up

Features

- Multipower BCD technology
- Minimum input output pulse width distortion
- 200 m Ω R_{dsON} complementary DMOS output stage
- CMOS compatible logic input
- Thermal protection
- Thermal warning output
- Undervoltage protection

Description

STA508 is a monolithic quad half bridge stage in Multipower BCD technology. The device can be used as dual bridge or reconfigured, by connecting CONFIG pin to Vdd pin, as single bridge with double current capability, and as half bridge (Binary mode) with half current capability.

The device is particularly designed to make the output stage of a stereo all-digital high efficiency (DDX™) amplifier capable to deliver 80 + 80 W @ THD = 10 % at $V_{CC} = 35$ V output power on 8 Ω load.

In single BTL configuration is also capable to deliver a peak of 160 W @ THD = 10 % at $V_{CC} = 35$ V on 4 Ω load. The input pins have threshold proportional to V_L pin voltage.

Maturity status link

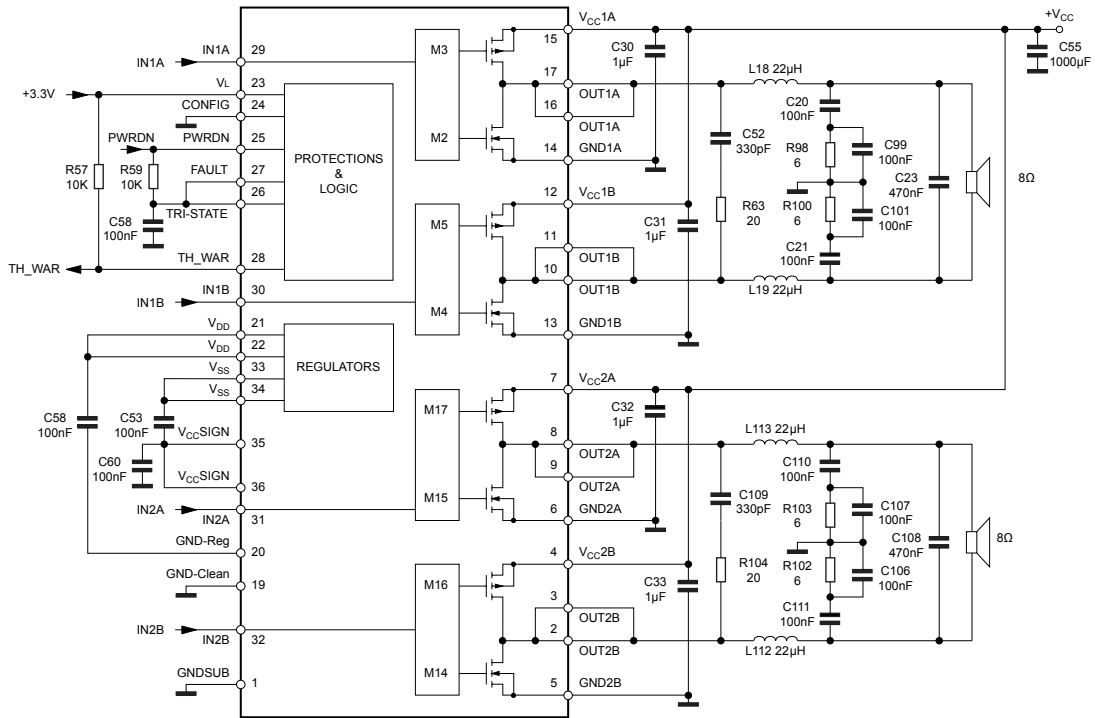
STA508

Device summary

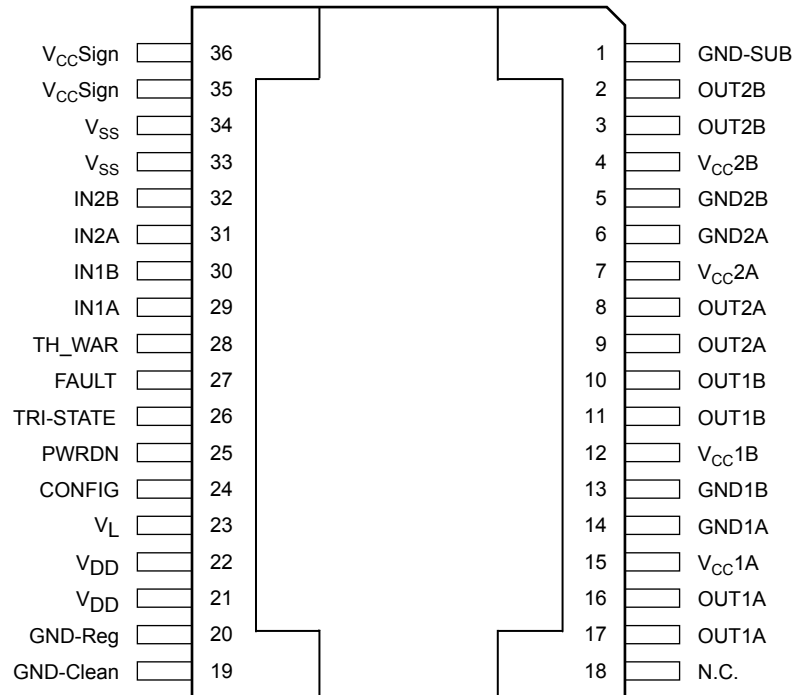
Order code	STA50813TR
Package	PowerSO-36 (EPU)

1 Diagram

Figure 1. Block diagram



2 Pin configuration

Figure 2. Pin connection (top view)

Table 1. Pin description

Pin N°	Name	Description
1	GND-SUB	Substrate ground
2, 3	OUT2B	Output half bridge 2B
4	V _{CC} 2B	Positive supply
5	GND2B	Negative supply
6	GND2A	Negative supply
7	V _{CC} 2A	Positive supply
8, 9	OUT2A	Output half bridge 2A
10, 11	OUT1B	Output half bridge 1B
12	V _{CC} 1B	Positive supply
13	GND1B	Negative supply
14	GND1A	Negative supply
15	V _{CC} 1A	Positive supply
16, 17	OUT1A	Output half bridge 1A
18	NC	Not connected
19	GND-clean	Logical ground
20	GND-Reg	Ground for regulator V _{dd}

Pin N°	Name	Description
21, 22	V _{dd}	5 V Regulator referred to Ground
23	V _L	High logical state setting voltage
24	CONFIG	Configuration pin
25	PWRDN	Stand-by pin
26	TRI-STATE	Hi-Z pin
27	FAULT	Fault pin advisor
28	TH-WAR	Thermal warning advisor
29	IN1A	Input of half bridge 1A
30	IN1B	Input of half bridge 1B
31	IN2A	Input of half bridge 2A
32	IN2B	Input of half bridge 2B
33, 34	V _{ss}	5 V regulator referred to + V _{CC}
35, 36	V _{CC} Sign	Signal positive supply

Table 2. Functional pin status

Pin name	Logical value	IC-STATUS
FAULT	0	Fault detected (Short circuit, or Thermal ..)
FAULT ⁽¹⁾	1	Normal operation
TRI-STATE	0	Allpowers in Hi-Z state
TRI-STATE	1	Normal operation
PWRDN	0	Low absorbion
PWRDN	1	Normal operation
THWAR	0	Temperature of the IC = 130 °C
THWAR ⁽¹⁾	1	Normal operation
CONFIG	0	Normal Operation
CONFIG ⁽²⁾	1	OUT1A = OUT1B; OUT2A=OUT2B (If IN1A = IN1B; IN2A = IN2B)

1. The pin is open collector. To have the high logic value, it needs to be pulled up by a resistor.
2. To put CONFIG = 1 means connect Pin 24 (CONFIG) to Pins 21, 22 (V_{dd}).

3 Maximum ratings

Table 3. Absolute maximum ratings

Symbol	Parameter	Value	Unit
V_{CC}	DC supply voltage (Pin 4, 7, 12, 15)	40	V
V_{max}	Maximum voltage on pins 23 to 32	5.5	V
P_{tot}	Power dissipation ($T_{case} = 70\text{ °C}$)	50	W
T_{op}	Operating temperature range	- 40 to 90	°C
T_{stg}	Storage temperature	- 40 to 150	°C
T_j	Junction temperature		

Table 4. Thermal data

Symbol	Description	Value	Unit
$R_{thj-case}$	Thermal resistance junction-case	max 1.5	°C/W

4 Electrical characteristics

Table 5. Electrical characteristics $V_L = 3.3\text{ V}$; $V_{CC} = 30\text{ V}$; $T_{amb} = 25\text{ °C}$; $f_{sw} = 384\text{ kHz}$ unless otherwise specified.

Symbol	Parameter	Test conditions	Min.	Typ.	Max.	Unit
R_{dsON}	Power P-channel/N-channel MOSFET R_{dsON}	$I_d = 1\text{ A}$		200	270	m Ω
I_{dss}	Power P-channel/N-channel leakage I_{dss}	$V_{CC} = 35\text{ V}$			50	μA
g_N	Power P-channel R_{dsON} matching	$I_d = 1\text{ A}$	95			%
g_P	Power N-channel R_{dsON} matching	$I_d = 1\text{ A}$	95			%
Dt_s	Low current dead time (static)	See Figure 5		10	20	ns
Dt_d	High current dead time (dynamic)	$L = 22\text{ }\mu\text{H}$; $C = 470\text{ nF}$; $R_L = 8\text{ }\Omega$; $I_d = 3.5\text{ A}$; see Figure 5			50	ns
td_{ON}	Turn-on delay time	Resistive load			100	ns
td_{OFF}	Turn-off delay time	Resistive load			100	ns
t_r	Rise time	Resistive load; as Figure 3			25	ns
t_f	Fall time	Resistive load; as Figure 3			25	ns
V_{CC}	Supply voltage operating voltage		10		36	V
$V_{IN-High}$	High level input voltage				$V_L/2 + 300\text{ mV}$	V
V_{IN-Low}	Low level input voltage		$V_L/2 - 300\text{ mV}$			V
$I_{IN-High}$	High level input current	Pin voltage = V_L		1		μA
I_{IN-Low}	Low level input current	Pin voltage = 0.3 V		1		μA
$I_{PWRDN-H}$	High level PWRDN pin input current	$V_L = 3.3\text{ V}$		35		μA
V_L	Low logical state voltage V_L (pin PWRDN, TRISTATE) ⁽¹⁾	$V_L = 3.3\text{ V}$	0.8			V
V_H	High logical state voltage V_H (pin PWRDN, TRISTATE) ⁽¹⁾	$V_L = 3.3\text{ V}$			1.7	V
$I_{VCC-PWRDN}$	Supply CURRENT from V_{CC} in Power Down	PWRDN = 0			3	mA
I_{FAULT}	Output current pins Fault -th-warn when Fault conditions	$V_{pin} = 3.3\text{ V}$		1		mA
$I_{VCC-hiz}$	Supply current from V_{CC} in Tri-state	$V_{CC} = 30\text{ V}$; Tri-state = 0		22		mA
I_{VCC}	Supply current from V_{CC} in operation both channel switching)	$V_{CC} = 30\text{ V}$; Input pulse width = 50% duty; Switching frequency = 384 kHz; No LC filters		50		mA
I_{VCC-q}	I_{sc} (short circuit current limit) ⁽²⁾		4.5	6	9	A
V_{UV}	Undervoltage protection threshold			7		V

Symbol	Parameter	Test conditions	Min.	Typ.	Max.	Unit
t_{pw-min}	Output minimum pulse width	No load	70		150	ns

1. See Table 6. V_{Low} , V_{High} variation with V_L .
2. See relevant Application Note AN1994

Table 6. V_{Low} , V_{High} variation with V_L

V_L	V_{Low} min	V_{High} max	Unit
2.7	0.7	1.5	V
3.3	0.8	1.7	V
5	0.85	1.85	V

Table 7. Logic truth table (see fig. 5)

Tri-state	INxA	INxB	Q1	Q2	Q3	Q4	Output mode
0	x	x	OFF	OFF	OFF	OFF	Hi-Z
1	0	0	OFF	OFF	ON	ON	DUMP
1	0	1	OFF	ON	ON	OFF	NEGATIVE
1	1	0	ON	OFF	OFF	ON	POSITIVE
1	1	1	ON	ON	OFF	OFF	Not used

5 Test circuits and typical application diagrams

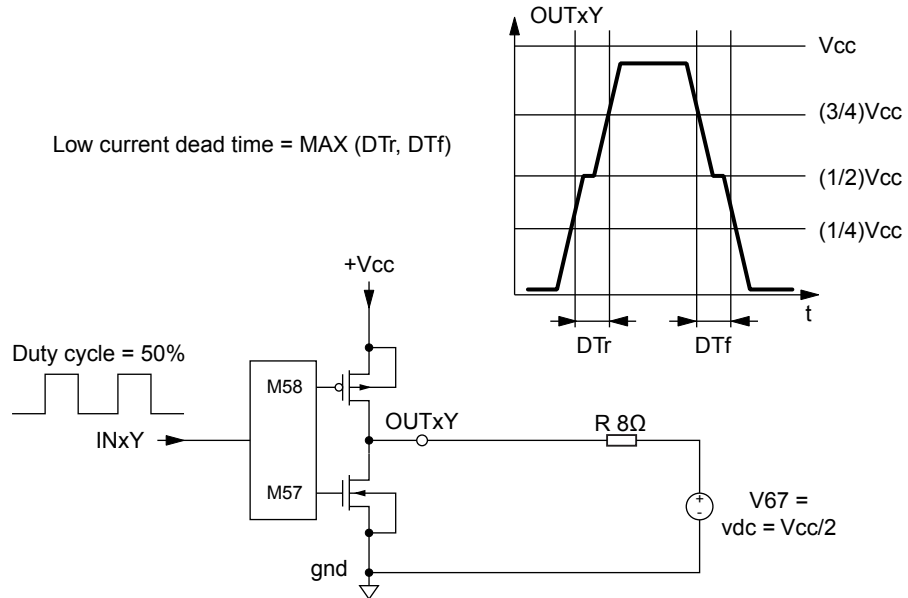
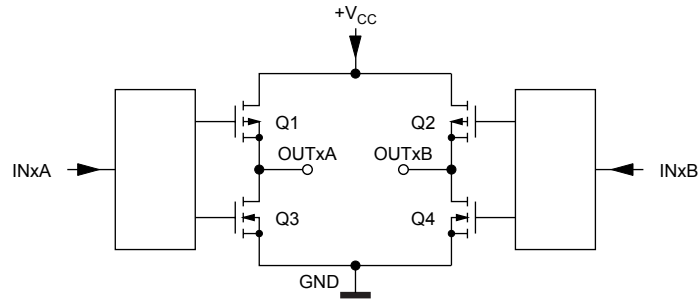
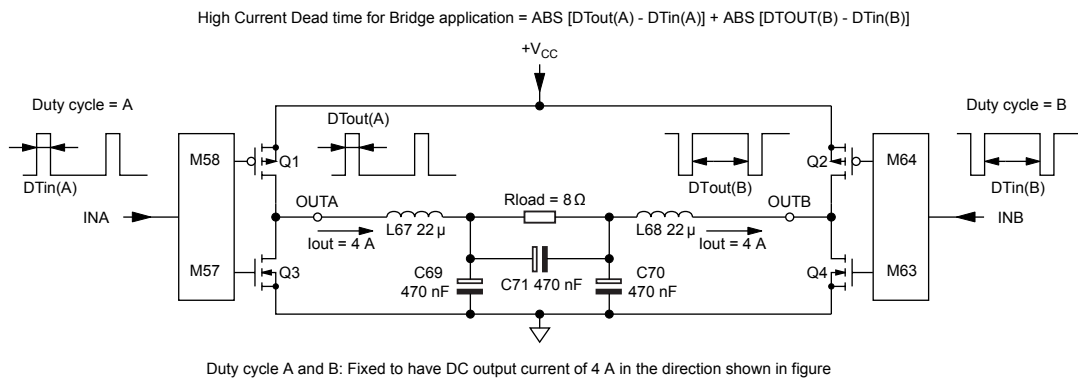
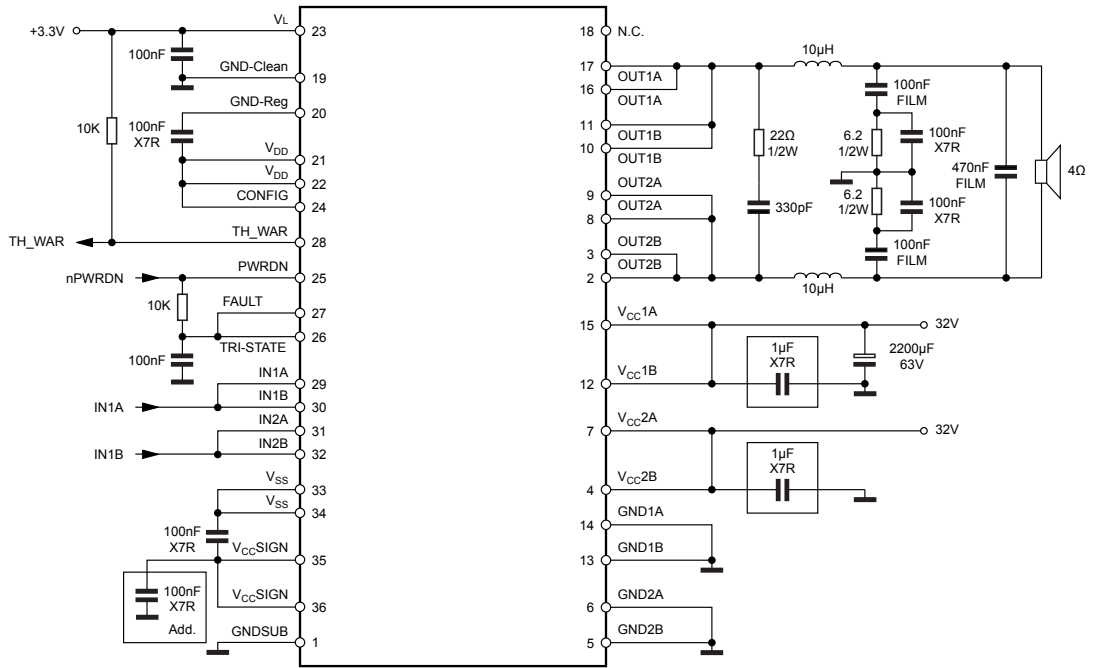
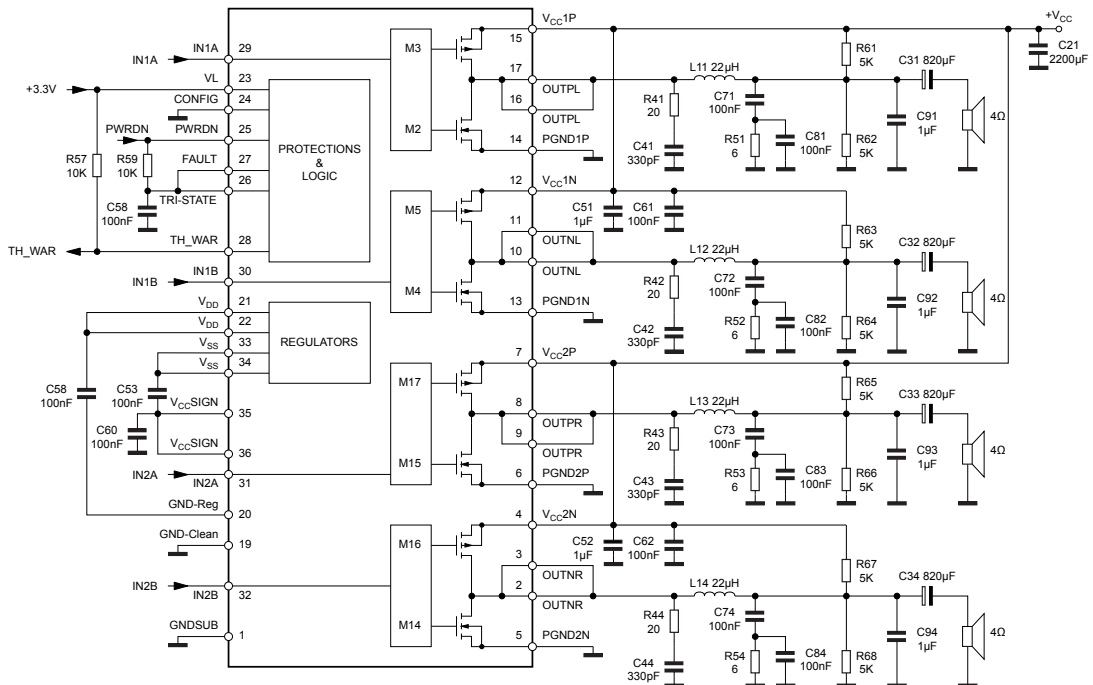
Figure 3. Test circuit 1

Figure 4. Test circuit 2

Figure 5. Test circuit 3


Figure 6. Typical single BTL configuration

Figure 7. Typical quad half bridge configuration


For more information refer to the application note AN1661.

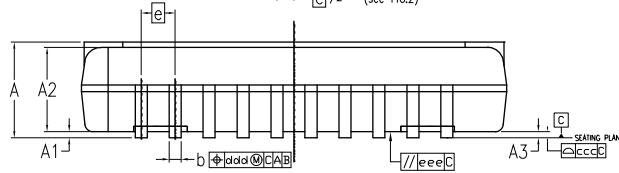
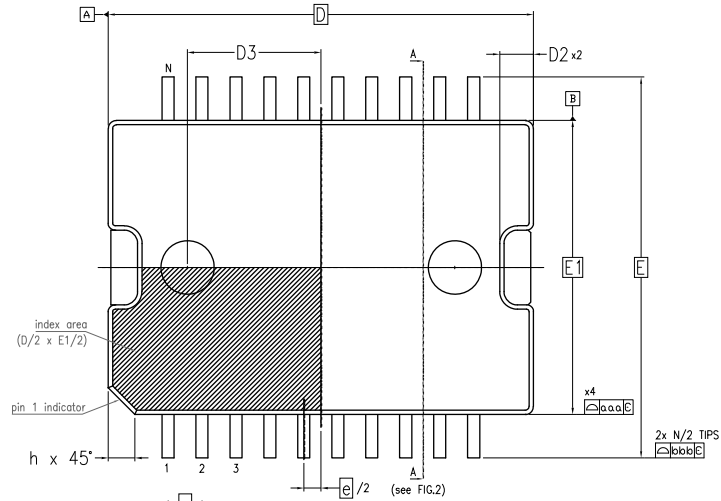
6 Package information

In order to meet environmental requirements, ST offers these devices in different grades of **ECOPACK** packages, depending on their level of environmental compliance. ECOPACK specifications, grade definitions and product status are available at: www.st.com. ECOPACK is an ST trademark.

6.1 PowerSO-36 exposed pad up package information

Figure 8. PowerSO-36 exposed pad up package outline

BOTTOM VIEW



TOP VIEW

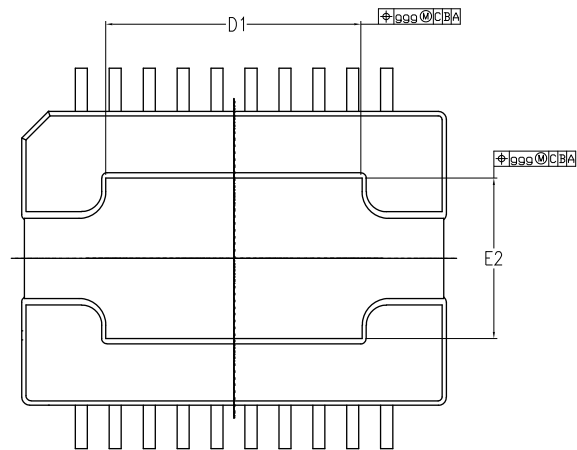
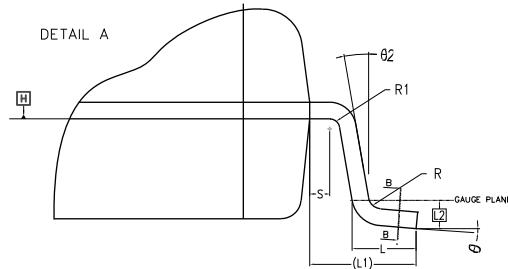
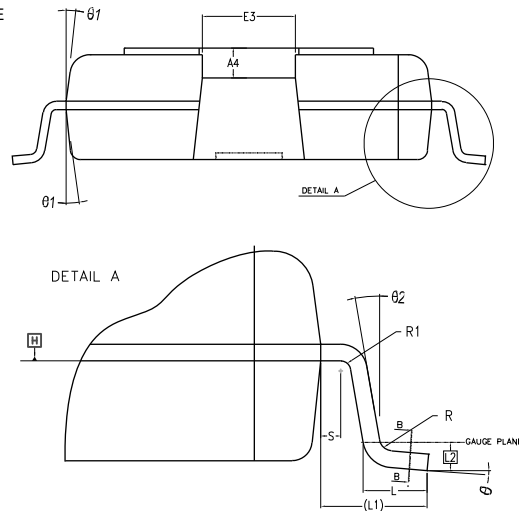


Figure 9. PowerSO-36 section A-A and B-B package outline
SECTION A-A

NOT TO SCALE


SECTION B-B

NOT TO SCALE

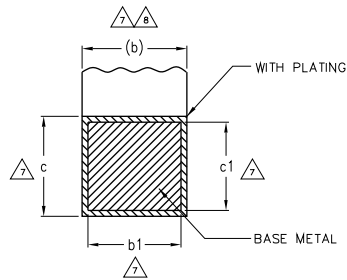


Table 8. PowerSO-36 package mechanical data

Dim.	mm		
	Min.	Typ.	Max.
Θ	0°	-	8°
Θ1	5°	-	10°
Θ2	0°	-	-
A	-	-	3.41
A1	0.30	-	-0.40
A2	3.10	3.14	3.18
A3	-	0.2	-
A4	0.80	-	1.00
b	0.22	-	0.41
b1	0.22	-	0.38
c	0.23	-	0.32
c1	0.23	0.25	0.29
D	15.90 BSC		
D1	VARIATION		
D2		-	1.00
D3	-	5.00	-
e	0.65 BSC		
E	14.20 BSC		
E1	11.00 BSC		
E2	VARIATION		
E3	-	-	2.90
h	-	-	1.10
L	0.80	-	1.10
L1	1.60 REF		
L2	0.35 BSC		
N	36		
R	0.20	-	-
R1	0.20	-	-
s	0.25	-	-

Table 9. Tolerance of form and position

Symbol	Databook
aaa	0.10
bbb	0.30
ccc	0.075
ddd	0.25
eee	0.10
ggg	0.25
Note	1.2

Table 10. Variations

Symbol	Databook			Opt.
	Min.	Typ.	Max.	
D1	9.40	-	9.80	A
E2	5.80	-	6.20	

Revision history

Table 11. Document revision history

Date	Revision	Changes
Sep 1994	1	Initial release.
Jun 2004	2	Note 2: See relevant Application Note AN1994
Nov 2004	3	Changed V_{CC} from 9 min to 10 min
Feb 2006	4	Changed T_{op} value on Table 5.
01-Sep-2020	5	Updated order code in device summary on the cover page.
19-Nov-2020	6	Updated package name, Figure 2 and Section 6.1 PowerSO-36 exposed pad up package information.

Contents

1	Diagram	2
2	Pin configuration	3
3	Maximum ratings	5
4	Electrical characteristics	6
5	Test circuits and typical application diagrams	8
6	Package information	10
6.1	PowerSO36 package information	11
	Revision history	15

List of tables

Table 1.	Pin description	3
Table 2.	Functional pin status	4
Table 3.	Absolute maximum ratings	5
Table 4.	Thermal data	5
Table 5.	Electrical characteristics $V_L = 3.3\text{ V}$; $V_{CC} = 30\text{ V}$; $T_{amb} = 25\text{ }^\circ\text{C}$; $f_{sw} = 384\text{ kHz}$ unless otherwise specified.	6
Table 6.	VLow, VHigh variation with V_L	7
Table 7.	Logic truth table (see fig. 5)	7
Table 8.	PowerSO-36 package mechanical data	13
Table 9.	Tolerance of form and position	14
Table 10.	Variations	14
Table 11.	Document revision history	15

List of figures

Figure 1.	Block diagram	2
Figure 2.	Pin connection (top view)	3
Figure 3.	Test circuit 1	8
Figure 4.	Test circuit 2	8
Figure 5.	Test circuit 3	8
Figure 6.	Typical single BTL configuration	9
Figure 7.	Typical quad half bridge configuration	9
Figure 8.	PowerSO-36 exposed pad up package outline	11
Figure 9.	PowerSO-36 section A-A and B-B package outline	12

IMPORTANT NOTICE – PLEASE READ CAREFULLY

STMicroelectronics NV and its subsidiaries (“ST”) reserve the right to make changes, corrections, enhancements, modifications, and improvements to ST products and/or to this document at any time without notice. Purchasers should obtain the latest relevant information on ST products before placing orders. ST products are sold pursuant to ST’s terms and conditions of sale in place at the time of order acknowledgement.

Purchasers are solely responsible for the choice, selection, and use of ST products and ST assumes no liability for application assistance or the design of Purchasers’ products.

No license, express or implied, to any intellectual property right is granted by ST herein.

Resale of ST products with provisions different from the information set forth herein shall void any warranty granted by ST for such product.

ST and the ST logo are trademarks of ST. For additional information about ST trademarks, please refer to www.st.com/trademarks. All other product or service names are the property of their respective owners.

Information in this document supersedes and replaces information previously supplied in any prior versions of this document.

© 2020 STMicroelectronics – All rights reserved