



Quad Digitally Programmable Potentiometer (DPP) with 256 Taps and Microwire Interface



FEATURES

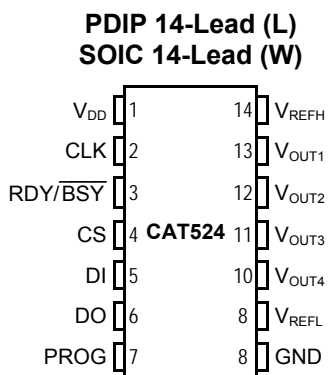
- Four 8-bit DPPs configured as programmable voltage sources in DAC-like applications
- Common reference inputs
- Buffered wiper outputs
- Non-volatile NVRAM memory wiper storage
- Output voltage range includes both supply rails
- 4 independently addressable buffered output wipers
- 1 LSB accuracy, high resolution
- Serial Microwire-like interface
- Single supply operation: 2.7V - 5.5V
- Setting read-back without effecting outputs

For Ordering Information details, see page 14.

APPLICATIONS

- Automated product calibration.
- Remote control adjustment of equipment
- Offset, gain and zero adjustments in self-calibrating and adaptive control systems.
- Tamper-proof calibrations.
- DAC (with memory) substitute

PIN CONFIGURATION



DESCRIPTION

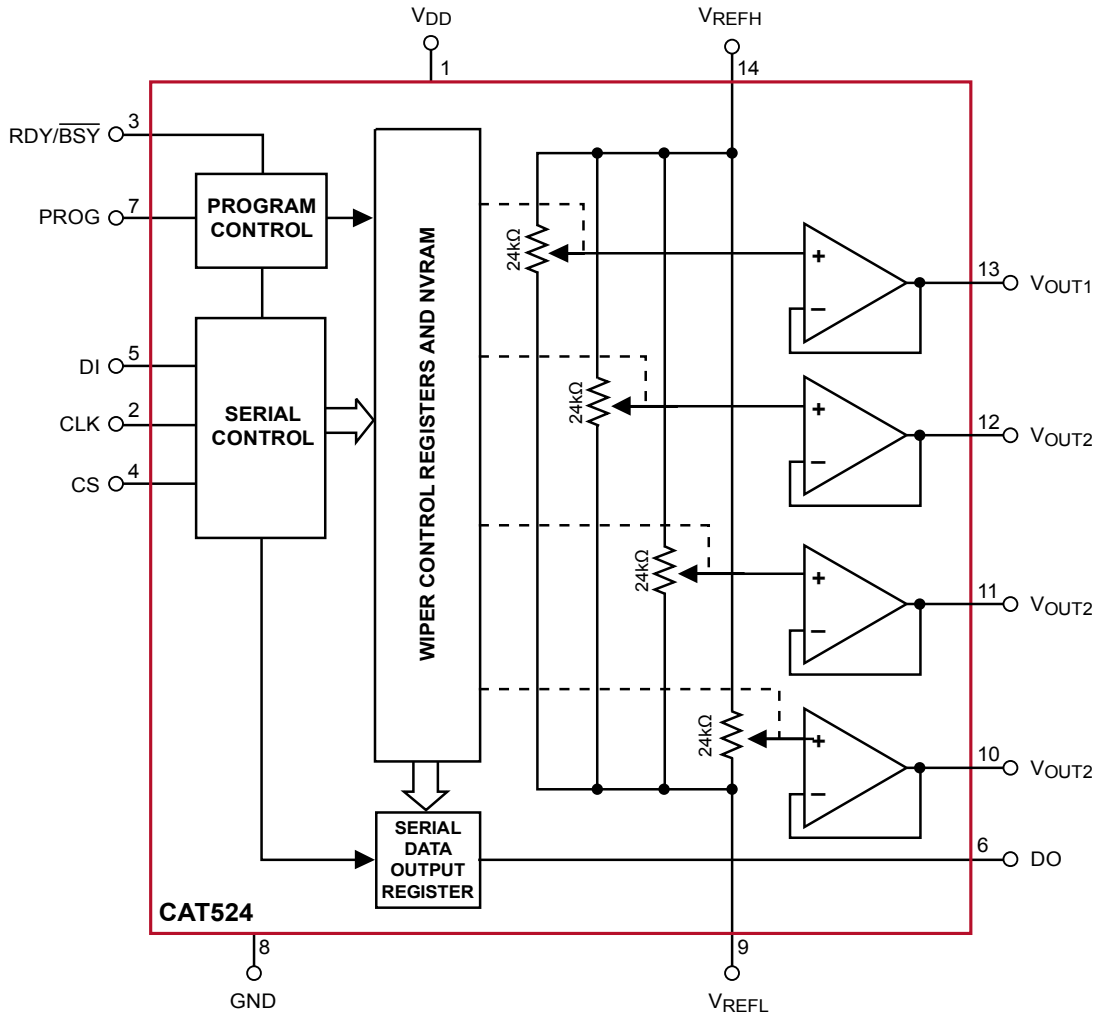
The CAT524 is a quad, 8-bit digitally-programmable potentiometer (DPP) configured for programmable voltage and DAC-like applications. Intended for final calibration of products such as camcorders, fax machines and cellular telephones on automated high volume production lines, it is also well suited for self-calibrating systems and for applications where equipment which requires periodic adjustment is either difficult to access or in a hazardous environment.

The four independently programmable DPPs have an output range which includes both supply rails. The wipers are buffered by rail to rail op amps. Wiper settings, stored in non-volatile NVRAM memory, are not lost when the device is powered down and are automatically reinstated when power is returned. Each wiper can be dithered to test new output values without effecting the stored settings, and stored settings can be read back without disturbing the DPP's output.

The CAT524 is controlled with a simple 3-wire serial, Microwire-like interface. A Chip Select pin allows several devices to share a common serial interface. Communication back to the host controller is via a single serial data line thanks to the Tri-Stated CAT524 Data Output pin. A RDY/BSY output working in concert with an internal low voltage detector signals proper operation of the non-volatile NVRAM memory Erase/Write cycle.

The CAT524 is available in the 0°C to 70°C commercial and -40°C to 85°C industrial operating temperature ranges. Both 14-pin plastic DIP and SOIC packages are offered.

FUNCTIONAL DIAGRAM



ABSOLUTE MAXIMUM RATINGS ⁽¹⁾

Parameters	Ratings	Units
Supply Voltage V _{DD} to GND	-0.5 to +7	V
Inputs		
CLK to GND	-0.5 to V _{DD} +0.5	V
CS to GND	-0.5 to V _{DD} +0.5	V
DI to GND	-0.5 to V _{DD} +0.5	V
RDY/ $\overline{\text{BSY}}$ to GND	-0.5 to V _{DD} +0.5	V
PROG to GND	-0.5 to V _{DD} +0.5	V
V _{REFH} to GND	-0.5 to V _{DD} +0.5	V
V _{REFL} to GND	-0.5 to V _{DD} +0.5	V

Parameters	Ratings	Units
Outputs		
D ₀ to GND	-0.5 to V _{DD} +0.5	V
V _{OUT} 1– 4 to GND	-0.5 to V _{DD} +0.5	V
Operating Ambient Temperature		
Commercial (‘C’ or Blank suffix)	0 to +70	°C
Industrial (‘I’ suffix)	-40 to +85	°C
Junction Temperature	+150	°C
Storage Temperature	-65 to +150	°C
Lead Soldering (10 sec max)	+300	°C

RELIABILITY CHARACTERISTICS

Symbol	Parameter	Test Method	Min	Max	Units
V _{ZAP} ⁽²⁾	ESD Susceptibility	MIL-STD-883, Test Method 3015	2000		V
I _{LTH} ⁽²⁾⁽³⁾	Latch-Up	JEDEC Standard 17	100		mA

POWER SUPPLY

Symbol	Parameter	Conditions	Min	Typ	Max	Units
I _{DD1}	Supply Current (Read)	Normal Operating	—	400	600	μA
I _{DD2}	Supply Current (Write)	Programming, V _{DD} = 5V	—	1600	2500	μA
		V _{DD} = 3V	—	1000	1600	μA
V _{DD}	Operating Voltage Range		2.7	—	5.5	V

LOGIC INPUTS

Symbol	Parameter	Conditions	Min	Typ	Max	Units
I _{IH}	Input Leakage Current	V _{IN} = V _{DD}	—	—	10	μA
I _{IL}	Input Leakage Current	V _{IN} = 0V	—	—	-10	μA
V _{IH}	High Level Input Voltage		2	—	V _{DD}	V
V _{IL}	Low Level Input Voltage		0	—	0.8	V

LOGIC OUTPUTS

Symbol	Parameter	Conditions	Min	Typ	Max	Units
V _{OH}	High Level Output Voltage	I _{OH} = -40μA	V _{DD} -0.3	—	—	V
V _{IL}	Low Level Output Voltage	I _{OL} = 1mA, V _{DD} = +5V	—	—	0.4	V
		I _{OL} = 0.4mA, V _{DD} = +3V	—	—	0.4	V

Notes:

- (1) Stresses above those listed under “Absolute Maximum Ratings” may cause permanent damage to the device. These are stress ratings only, and functional operation of the device at these or any other conditions outside of those listed in the operational sections of this specification is not implied. Exposure to any absolute maximum rating for extended periods may affect device performance and reliability.
- (2) This parameter is tested initially and after a design or process change that affects the parameter.
- (3) Latch-up protection is provided for stresses up to 100mA on address and data pins from -1V to V_{CC} + 1V.

POTENTIOMETER CHARACTERISTICS
 $V_{DD} = +2.7V$ to $+5.5V$, $V_{REFH} = V_{DD}$, $V_{REFL} = 0V$, unless otherwise specified

Symbol	Parameter	Conditions	Min	Typ	Max	Units
R _{POT}	Potentiometer Resistance	See note 3		24		k Ω
	R _{POT} to RPOT Match		—	± 0.5	± 1	%
	Pot Resistance Tolerance				± 20	%
	Voltage on V _{REFH} pin		2.7		V _{DD}	V
	Voltage on V _{REFL} pin		0		V _{DD} - 2.7	V
	Resolution			0.4		%
INL	Integral Linearity Error			0.5	1	LSB
DNL	Differential Linearity Error			0.25	0.5	LSB
R _{OUT}	Buffer Output Resistance				10	Ω
I _{OUT}	Buffer Output Current				3	mA
TC _{RPOT}	TC of Pot Resistance			300		ppm/ $^{\circ}C$
C _H /C _L	Potentiometer Capacitances			8/8		pF

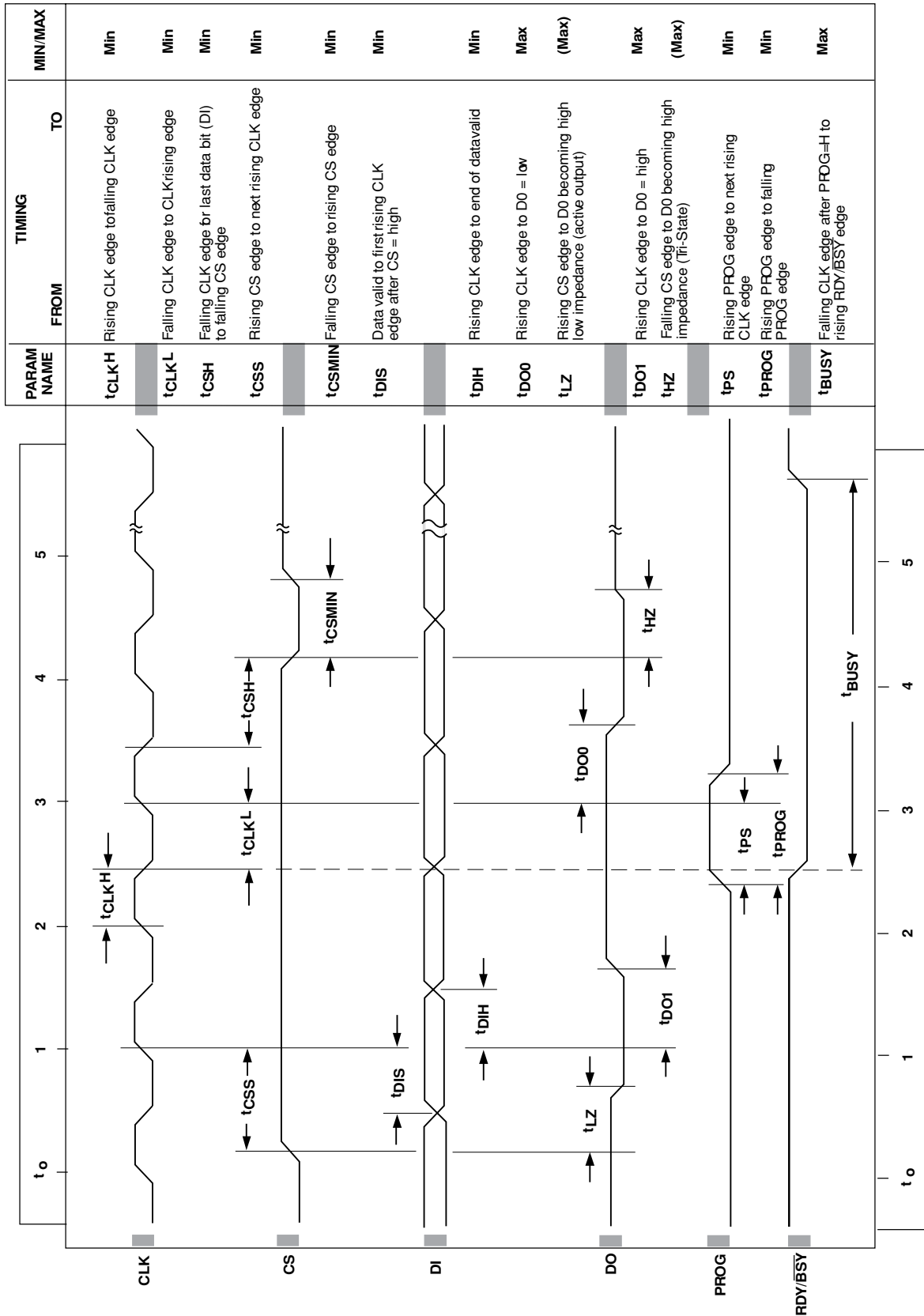
AC ELECTRICAL CHARACTERISTICS
 $V_{DD} = +2.7V$ to $+5.5V$, $V_{REFH} = V_{DD}$, $V_{REFL} = 0V$, unless otherwise specified

Symbol	Parameter	Conditions	Min	Typ	Max	Units
Digital						
t _{CSMIN}	Minimum CS Low Time		150	—	—	ns
t _{CSS}	CS Setup Time		100	—	—	ns
t _{CSH}	CS Hold Time	C _L = 100pF ⁽¹⁾	0	—	—	ns
t _{DIS}	DI Setup Time		50	—	—	ns
t _{DIH}	DI Hold Time		50	—	—	ns
t _{DO1}	Output Delay to 1		—	—	150	ns
t _{DO0}	Output Delay to 0		—	—	150	ns
t _{HZ}	Output Delay to High-Z		—	400	—	ns
t _{LZ}	Output Delay to Low-Z	—	400	—	ns	
t _{BUSY}	Erase/Write Cycle Time		—	4	5	ms
t _{PS}	PROG Setup Time		150	—	—	ns
t _{PROG}	Minimum Pulse Width		700	—	—	ns
t _{CLKH}	Minimum CLK High Time		500	—	—	ns
t _{CLKL}	Minimum CLK Low Time		300	—	—	ns
f _C	Clock Frequency		DC	—	1	MHz
Analog						
t _{DS}	DPP Settling Time to 1 LSB	C _{LOAD} = 10pF, V _{DD} = +5V	—	3	10	μ s
		C _{LOAD} = 10pF, V _{DD} = +3V	—	6	10	μ s

Notes:

- (1) All timing measurements are defined at the point of signal crossing $V_{DD} / 2$.
- (2) These parameters are periodically sampled and are not 100% tested.
- (3) The 24k Ω +20% resistors are configured as 4 resistors in parallel which would provide a measured value between V_{REFH} and V_{REFL} of 6k Ω +20%. The individual 24k Ω resistors are not measurable but guaranteed by design and verification of the 6k Ω +20% value.

A.C. TIMING DIAGRAM



PARAM NAME	FROM	TIMING	TO	MIN/MAX
t _{CLKH}			Rising CLK edge to falling CLK edge	Min
t _{CLKL}			Falling CLK edge to CLK rising edge	Min
t _{CSH}			Falling CLK edge to last data bit (DI) to falling CS edge	Min
t _{CSS}			Rising CS edge to next rising CLK edge	Min
t _{CSMIN}			Falling CS edge to rising CS edge	Min
t _{DIS}			Data valid to first rising CLK edge after CS = high	Min
t _{DIH}			Rising CLK edge to end of data valid	Min
t _{DO0}			Rising CLK edge to D0 = low	Max
t _{LZ}			Rising CS edge to D0 becoming high low impedance (active output)	(Max)
t _{DO1}			Rising CLK edge to D0 = high	Max
t _{HZ}			Falling CS edge to D0 becoming high impedance (Tri-State)	(Max)
t _{PS}			Rising PROG edge to next rising CLK edge	Min
t _{PROG}			Rising PROG edge to falling PROG edge	Min
t _{BUSY}			Falling CLK edge after PROG=H to rising RDY/BSY edge	Max

PIN DESCRIPTION

Pin	Name	Function
1	V _{DD}	Power supply positive
2	CLK	Clock input pin
3	RDY/BSY	Ready/Busy output
4	CS	Chip select
5	DI	Serial data input pin
6	DO	Serial data output pin
7	PROG	Non-volatile Programming Enable Input
8	GND	Power supply ground
9	V _{REFL}	Minimum DAC output voltage
10	V _{OUT4}	DPP output channel 4
11	V _{OUT3}	DPP output channel 3
12	V _{OUT2}	DPP output channel 2
13	V _{OUT1}	DPP output channel 1
14	V _{REFH}	Maximum DPP output voltage

DEVICE OPERATION

The CAT524 is a quad 8-bit configured digitally programmable potentiometer (DPP) whose outputs can be programmed to any one of 256 individual voltage steps. Once programmed, these output settings are retained in non-volatile memory and will not be lost when power is removed from the chip. Upon power up the DPPs return to the settings stored in non-volatile memory. Each DPP can be written to and read from independently without effecting the output voltage during the read or write cycle. Each output can also be temporarily adjusted without changing the stored output setting, which is useful for testing new output settings before storing them in memory.

DIGITAL INTERFACE

The CAT524 employs a 3 wire serial, Microwire-like control interface consisting of Clock (CLK), Chip Select (CS) and Data In (DI) inputs. For all operations, address and data are shifted in LSB first. In addition, all digital data must be preceded by a logic "1" as a start bit. The DPP address and data are clocked into the DI pin on the clock's rising edge. When sending multiple blocks of information a minimum of two clock cycles is required between the last block sent and the next start bit.

DPP addressing is as follows:

DPP OUTPUT	A0	A1
V _{OUT1}	0	0
V _{OUT2}	1	0
V _{OUT3}	0	1
V _{OUT4}	1	1

Multiple devices may share a common input data line by selectively activating the CS control of the desired IC. Data Outputs (DO) can also share a common line because the DO pin is Tri-Stated and returns to a high impedance when not in use.

CHIP SELECT

Chip Select (CS) enables and disables the CAT524's read and write operations. When CS is high data may be read to or from the chip, and the Data Output (DO) pin is active. Data loaded into the DPP control registers will remain in effect until CS goes low. Bringing CS to a logic low returns all DPP outputs to the settings stored in non-volatile memory and switches DO to its high impedance Tri-State mode.

Because CS functions like a reset the CS pin has been equipped with a 30 ns to 90 ns filter circuit to prevent noise spikes from causing unwanted resets and the loss of volatile data.

CLOCK

The CAT524's clock controls both data flow in and out of the IC and non-volatile memory cell programming. Serial data is shifted into the DI pin and out of the DO pin on the clock's rising edge. While it is not necessary for the clock to be running between data transfers, the clock must be operating in order to write to non-volatile memory, even though the data being

saved may already be resident in the DPP wiper control register.

No clock is necessary upon system power-up. The CAT524's internal power-on reset circuitry loads data from non-volatile memory to the DPPs without using the external clock.

As data transfers are edge triggered clean clock transitions are necessary to avoid falsely clocking data into the control registers. Standard CMOS and TTL logic families work well in this regard and it is recommended that any mechanical switches used for breadboarding or device evaluation purposes be debounced by a flip-flop or other suitable debouncing circuit.

V_{REF}

V_{REF}, the voltage applied between pins V_{REFH} and V_{REFL}, sets the configured DPP's Zero to Full Scale output range where V_{REFL} = Zero and V_{REFH} = Full Scale. V_{REF} can span the full power supply range or just a fraction of it. In typical applications V_{REFH} and V_{REFL} are connected across the power supply rails. When using less than the full supply voltage V_{REFH} is restricted to voltages between V_{DD} and V_{DD}/2 and V_{REFL} to voltages between GND and V_{DD}/2.

READY/BSY

When saving data to non-volatile memory, the Ready/Busy output (RDY/BSY) signals the start and duration of the non-volatile erase/write cycle. Upon receiving a command to store data (PROG goes high) RDY/BSY goes low and remains low until the programming cycle is complete. During this time the CAT524 will ignore any data appearing at DI and no data will be output on DO.

RDY/BSY is internally ANDed with a low voltage detector circuit monitoring V_{DD}. If V_{DD} is below the

minimum value required for non-volatile programming, RDY/BSY will remain high following the program command indicating a failure to record the desired data in non-volatile memory.

DATA OUTPUT

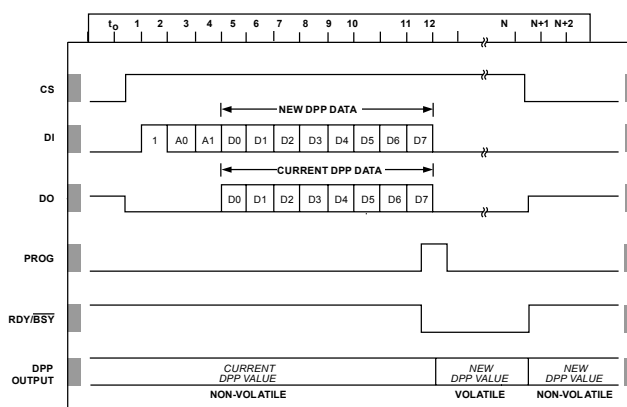
Data is output serially by the CAT524, LSB first, via the Data Out (DO) pin following the reception of a start bit and two address bits by the Data Input (DI). DO becomes active whenever CS goes high and resumes its high impedance Tri-State mode when CS returns low. Tri-Stating the DO pin allows several 524s to share a single serial data line and simplifies interfacing multiple 524s to a microprocessor.

WRITING TO MEMORY

Programming the CAT524's non-volatile memory is accomplished through the control signals: Chip Select (CS) and Program (PROG). With CS high, a start bit followed by a two bit DPP address and eight data bits are clocked into the DPP control register via the DI pin. Data enters on the clock's rising edge. The DPP output changes to its new setting on the clock cycle following D7, the last data bit.

Programming is achieved by bringing PROG high sometime after the start bit and at least 150 ns prior to the rising edge of the clock cycle immediately following the D7 bit. Two clock cycles after the D7 bit the DPP wiper control register will be ready to receive the next set of address and data bits. The clock must be kept running throughout the programming cycle. Internal control circuitry takes care of ramping the programming voltage for data transfer to the non-volatile cells. The CAT524 non-volatile memory cells will endure over 100,000 write cycles and will retain data for a minimum of 20 years without being refreshed.

Figure 1. Writing to Memory

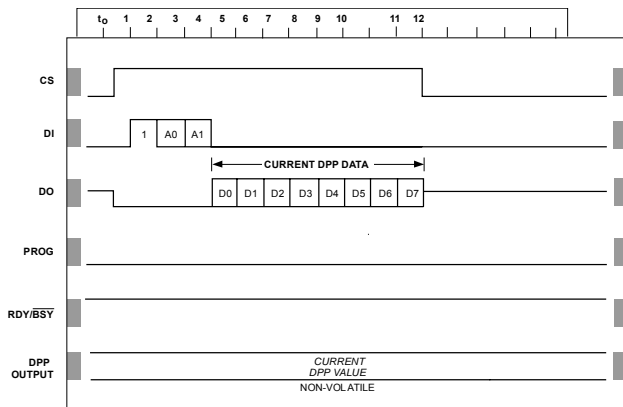


READING DATA

Each time data is transferred into a DPP wiper control register currently held data is shifted out via the D0 pin, thus in every data transaction a read cycle occurs. Note, however, that the reading process is destructive. Data must be removed from the register in order to be read. Figure 2 depicts a Read Only cycle in which no change occurs in the DPP's output. This feature allows μ Ps to poll DPPs for their current setting without disturbing the output voltage but it assumes that the setting being read is also stored in non-volatile memory so that it can be restored at the end of the read cycle. In Figure 2 CS returns low before the 13th clock cycle completes. In doing so the non-volatile memory setting is reloaded into the DPP wiper control register.

Since this value is the same as that which had been there previously no change in the DPP's output is noticed. Had the value held in the control register been different from that stored in non-volatile memory then a *change would occur* at the read cycle's conclusion.

Figure 2. Reading from Memory



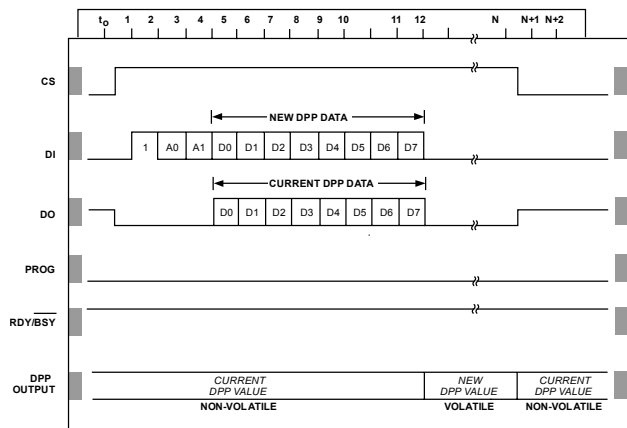
TEMPORARILY CHANGE OUTPUT

The CAT524 allows temporary changes in DPP's output to be made without disturbing the settings retained in non-volatile memory. This feature is particularly useful when testing for a new output setting and allows for user adjustment of preset or default values without losing the original factory settings.

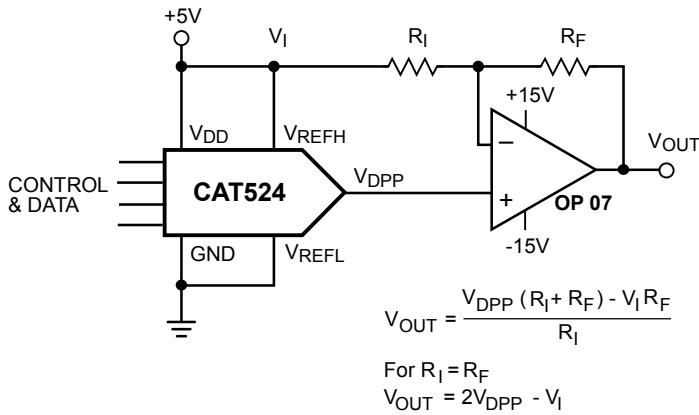
Figure 3 shows the control and data signals needed to effect a temporary output change. DPP wiper settings may be changed as many times as required and can be made to any of the four DPPs in any order or sequence. The temporary setting(s) remain in effect long as CS remains high. When CS returns low all four DPPs will return to the output values stored in non-volatile memory.

When it is desired to save a new setting acquired using this feature, the new value must be reloaded into the DPP control register prior to programming. This is because the CAT524's internal control circuitry discards the new data from the programming register two clock cycles after receiving it (after reception is complete) if no PROG signal is received.

Figure 3. Temporary Change in Output

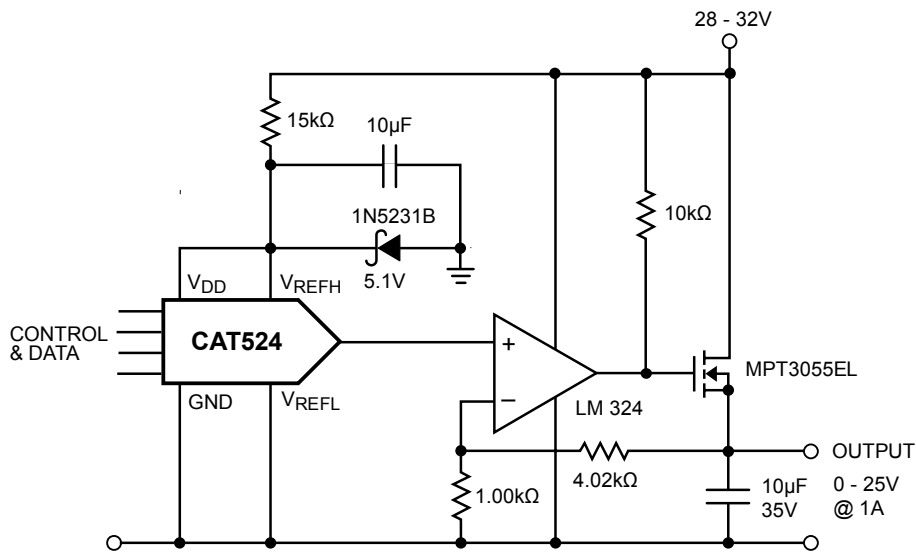


APPLICATION CIRCUITS

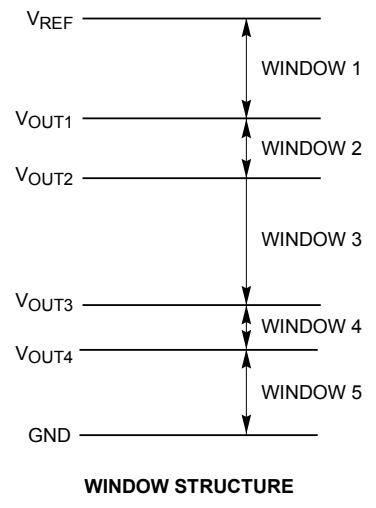
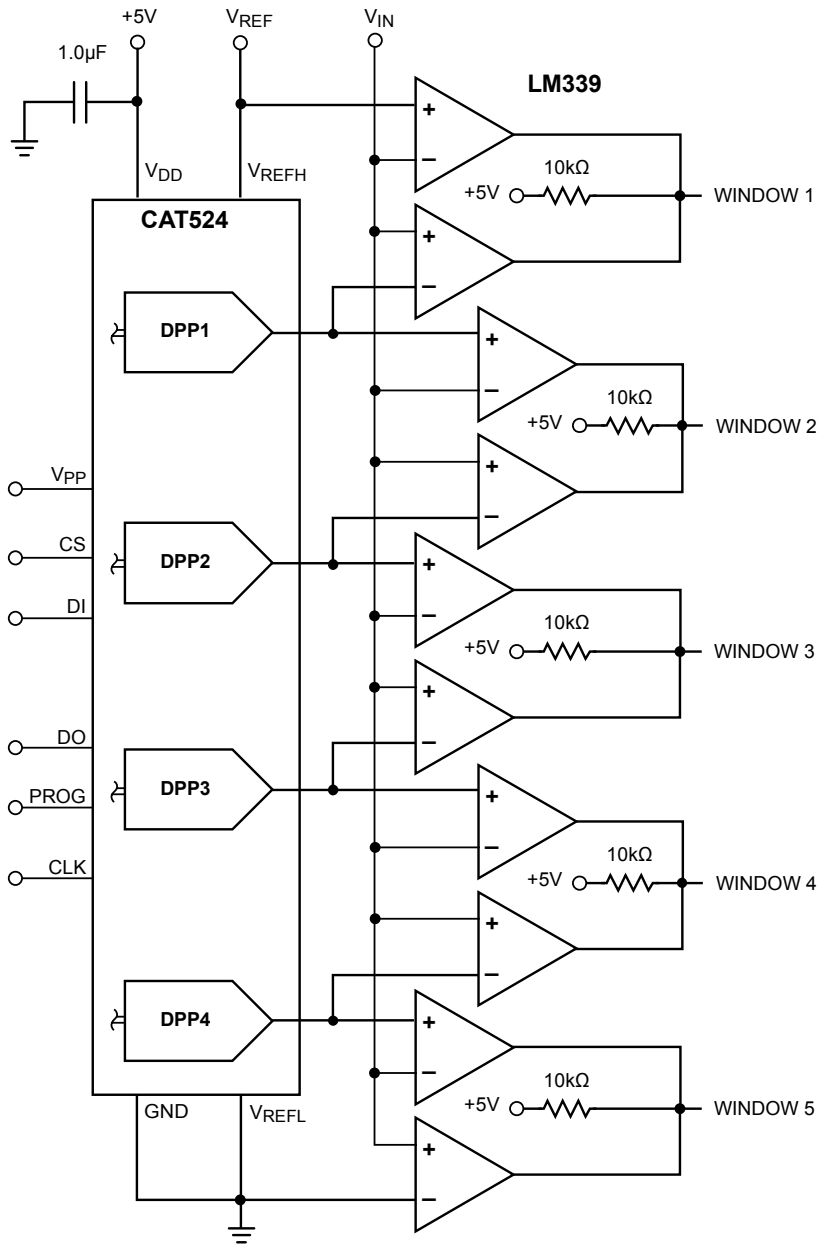


DPP INPUT		DPP OUTPUT	ANALOG OUTPUT
		$V_{DPP} = \frac{CODE}{255} \times (V_{FS} - V_{ZERO}) + V_{ZERO}$	
MSB	LSB	$V_{FS} = 0.99V_{REF}$	$V_{REF} = 5V$
		$V_{ZERO} = 0.01V_{REF}$	$R_I = R_F$
1111	1111	$\frac{255}{255} \times 0.98V_{REF} + 0.01V_{REF} = 0.990V_{REF}$	$V_{OUT} = +4.90V$
1000	0000	$\frac{128}{255} \times 0.98V_{REF} + 0.01V_{REF} = 0.502V_{REF}$	$V_{OUT} = +0.02V$
0111	1111	$\frac{127}{255} \times 0.98V_{REF} + 0.01V_{REF} = 0.498V_{REF}$	$V_{OUT} = -0.02V$
0000	0001	$\frac{1}{255} \times 0.98V_{REF} + 0.01V_{REF} = 0.014V_{REF}$	$V_{OUT} = -4.86V$
0000	0000	$\frac{0}{255} \times 0.98V_{REF} + 0.01V_{REF} = 0.010V_{REF}$	$V_{OUT} = -4.90V$

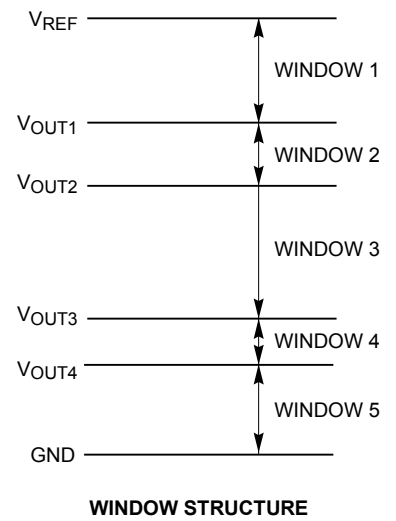
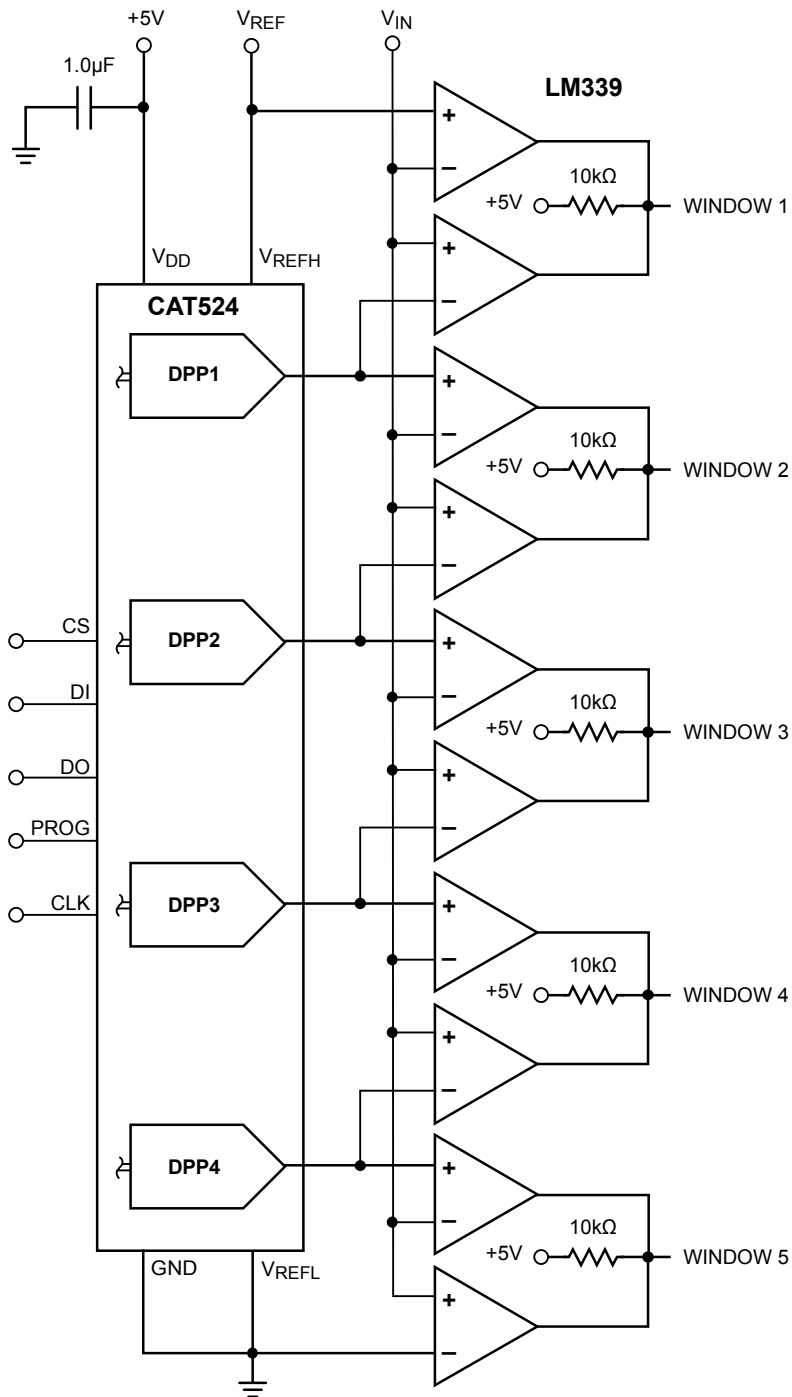
Bipolar DPP Output



Digitally Controlled Voltage Reference



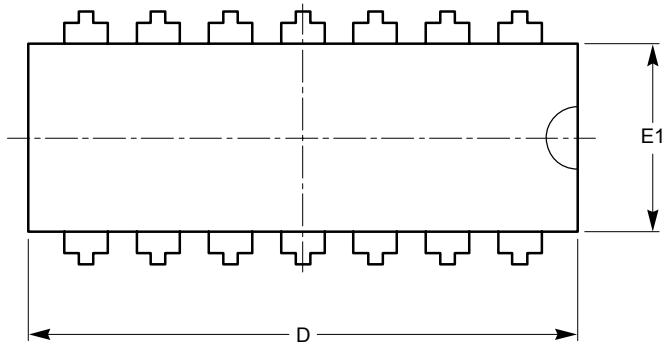
Staircase Window Comparator



Overlapping Window Comparator

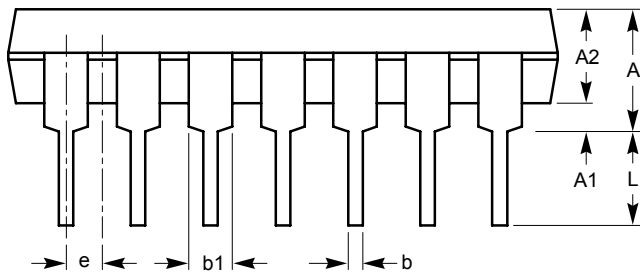
PACKAGE OUTLINE DRAWINGS

PDIP 14-Lead (L)⁽¹⁾⁽²⁾

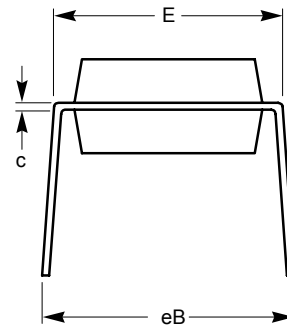


TOP VIEW

SYMBOL	MIN	NOM	MAX
A	3.56		5.33
A1	0.38		
A2	2.92	3.30	4.95
b	0.36	0.45	0.55
b1	1.15	1.52	1.77
c	0.21	0.26	0.35
D	18.67	19.05	19.68
E	7.62	7.87	8.25
E1	6.10	6.35	7.11
e	2.54 BSC		
eB	7.88		10.92
L	2.99	3.30	3.81



SIDE VIEW

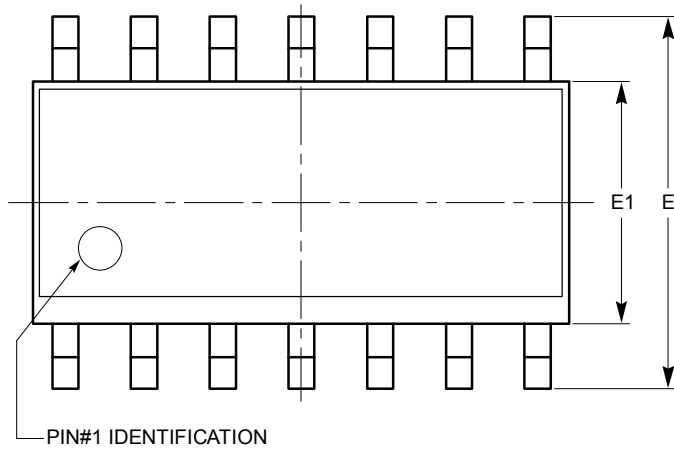


END VIEW

Notes:

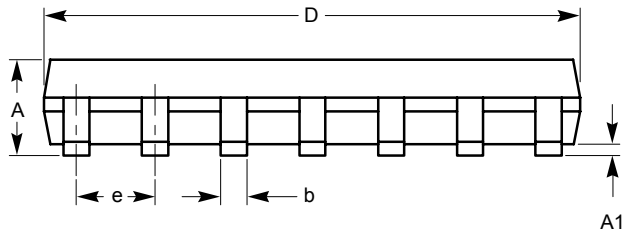
- (1) All dimensions are in millimeters. Angles in degrees.
- (2) Complies with JEDEC standard MS-001.

SOIC 14-Lead (W)⁽¹⁾⁽²⁾

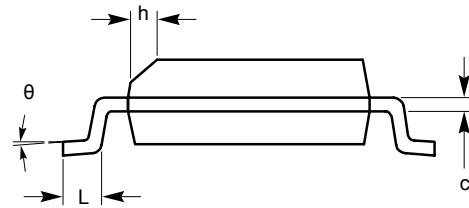


SYMBOL	MIN	NOM	MAX
A	1.35		1.75
A1	0.10		0.25
b	0.33		0.51
c	0.19		0.25
D	8.55	8.65	8.75
E	5.80	6.00	6.20
E1	3.80	3.90	4.00
e	1.27 BSC		
h	0.25		0.50
L	0.40		1.27
θ	0°		8°

TOP VIEW



SIDE VIEW

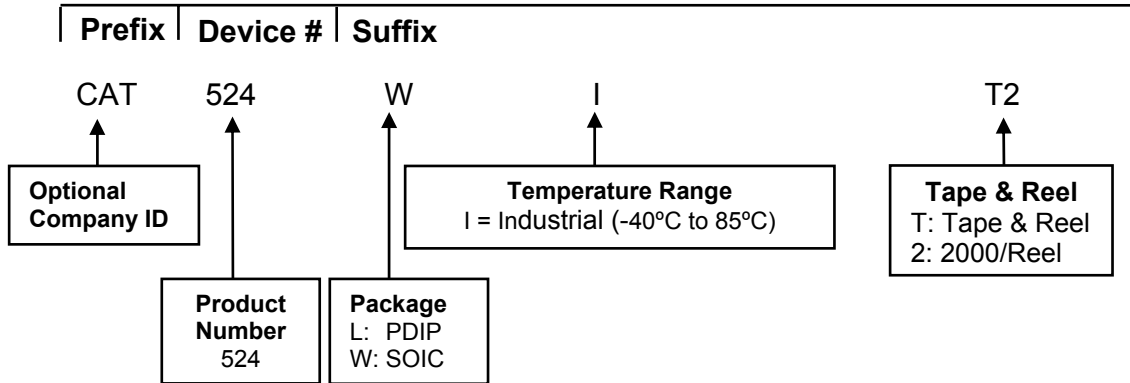


END VIEW

Notes:

- (1) All dimensions are in millimeters. Angles in degrees.
- (2) Complies with JEDEC standard MS-012.

EXAMPLE OF ORDERING INFORMATION



Notes:


- (1) All packages are RoHS compliant (Lead-free, Halogen-free).
- (2) Standard lead finish is Matte-Tin.
- (3) This device used in the above example is a CAT524WI-T2 (SOIC, Industrial Temperature, Tape & Reel).

ORDERING PART NUMBER

CAT524LI
CAT524WI

REVISION HISTORY

Date	Revision	Description
16-Mar-04	D	Updated Potentiometer Characteristics
12-Jul-04	E	Updated Functional Diagram Updated Potentiometer Characteristics Added Note 3 under Potentiometer/AC Characteristics tables
26-Jul-07	F	Added Package Outline Drawings Updated Example of Ordering Information Added MD- in front of Document No.
08-Oct-07	G	Change title Update Writing to memory Update Application Circuits
15-Jul-08	H	Add "Not Recommended for New Design" to the top of all pages
25-Nov-08	I	Change logo and fine print to ON Semiconductor

ON Semiconductor and  are registered trademarks of Semiconductor Components Industries, LLC (SCILLC). SCILLC reserves the right to make changes without further notice to any products herein. SCILLC makes no warranty, representation or guarantee regarding the suitability of its products for any particular purpose, nor does SCILLC assume any liability arising out of the application or use of any product or circuit, and specifically disclaims any and all liability, including without limitation special, consequential or incidental damages. "Typical" parameters which may be provided in SCILLC data sheets and/or specifications can and do vary in different applications and actual performance may vary over time. All operating parameters, including "Typicals" must be validated for each customer application by customer's technical experts. SCILLC does not convey any license under its patent rights nor the rights of others. SCILLC products are not designed, intended, or authorized for use as components in systems intended for surgical implant into the body, or other applications intended to support or sustain life, or for any other application in which the failure of the SCILLC product could create a situation where personal injury or death may occur. Should Buyer purchase or use SCILLC products for any such unintended or unauthorized application, Buyer shall indemnify and hold SCILLC and its officers, employees, subsidiaries, affiliates, and distributors harmless against all claims, costs, damages, and expenses, and reasonable attorney fees arising out of, directly or indirectly, any claim of personal injury or death associated with such unintended or unauthorized use, even if such claim alleges that SCILLC was negligent regarding the design or manufacture of the part. SCILLC is an Equal Opportunity/Affirmative Action Employer. This literature is subject to all applicable copyright laws and is not for resale in any manner.

PUBLICATION ORDERING INFORMATION

LITERATURE FULFILLMENT:

Literature Distribution Center for ON Semiconductor
P.O. Box 5163, Denver, Colorado 80217 USA
Phone: 303-675-2175 or 800-344-3860 Toll Free USA/Canada
Fax: 303-675-2176 or 800-344-3867 Toll Free USA/Canada
Email: orderlit@onsemi.com

N. American Technical Support: 800-282-9855 Toll Free
USA/Canada
Europe, Middle East and Africa Technical Support:
Phone: 421 33 790 2910
Japan Customer Focus Center:
Phone: 81-3-5773-3850

ON Semiconductor Website: www.onsemi.com

Order Literature: <http://www.onsemi.com/orderlit>

For additional information, please contact your local Sales Representative