



# THBT15011, THBT20011, THBT27011

## Tripolar overvoltage protection for telecom line

### Features

- bidirectional crowbar protection between TIP and GND, RING and GND and between TIP and RING
- peak pulse current:  
 $I_{PP} = 30 \text{ A}$  for 10/1000  $\mu\text{s}$  surge
- holding current:  $I_H = 150 \text{ mA}$

### Complies with Bellcore standard

- TR-NWT-001089-Core, (second level) with line series resistors:
  - 10/1000  $\mu\text{s}$ , 1000 V
  - 2/10  $\mu\text{s}$ , 2500 V (first level)
  - 2/10  $\mu\text{s}$ , 5000 V

### Description

Dedicated to telecommunication equipment protection, these devices provide a triple bidirectional protection function.

They ensure the same protection capability with the same breakdown voltage both in longitudinal mode and transversal mode.

A particular attention has been given to the internal wire bonding. The "4-point" configuration ensures a reliable protection, eliminating overvoltages introduced by the parasitic inductances of the wiring ( $Ldi/dt$ ), especially for very fast transient overvoltages.

Dynamic characteristics have been defined for several types of surges to meet the SLIC maximum ratings.

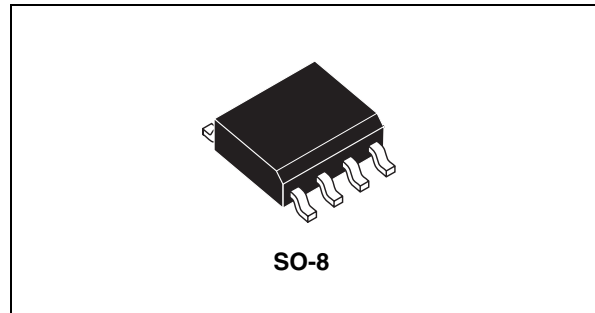
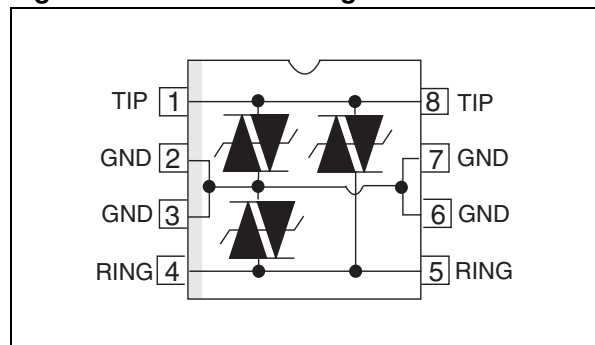


Figure 1. Schematic diagram



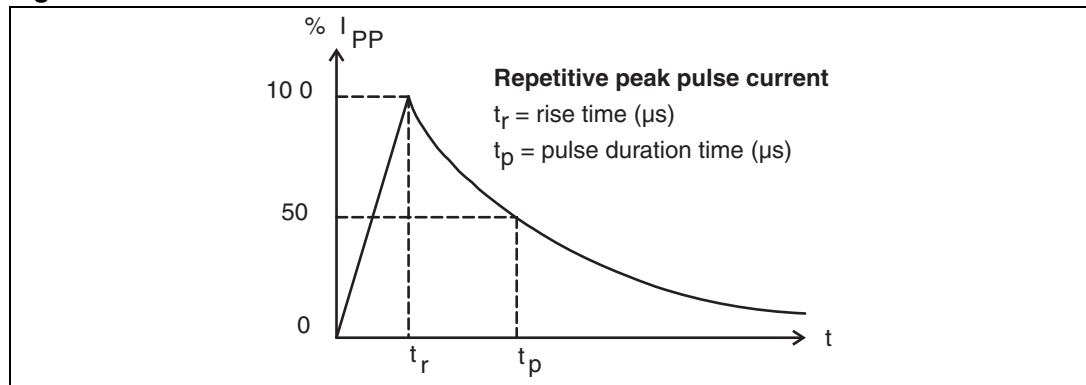
# 1 Characteristics

**Table 1. Absolute maximum ratings ( $T_{amb} = 25\text{ °C}$ )**

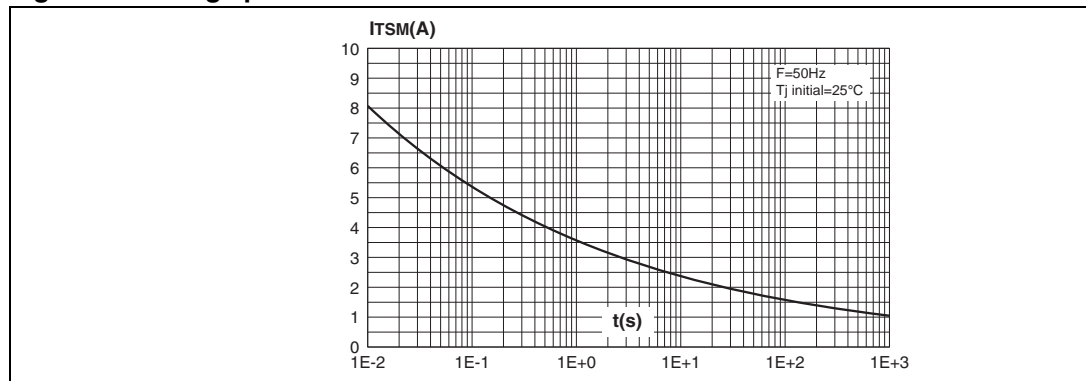
Symbol	Parameter	Value	Unit
$I_{PP}$	Peak pulse current <sup>(1) (2)</sup>	10 / 1000 $\mu$ s	A
$I_{TSM}$	Non repetitive surge peak on-state current ( $F = 50\text{ Hz}$ )	$t_p = 10\text{ ms}$ $t = 1\text{ s}$	8 3.5 A
$T_{stg}$	Storage temperature range	- 40 to + 150	$^{\circ}\text{C}$
$T_j$	Maximum junction temperature	150	$^{\circ}\text{C}$
$T_L$	Maximum lead temperature for soldering during 10s	260	$^{\circ}\text{C}$

- For pulse waveform see [Figure 2](#)
- See [Figure 7: Test circuit 4 for  \$I\_{PP}\$  parameter](#)

**Figure 2. Pulse waveform**



**Figure 3. Surge peak current versus overload duration**



**Table 2. Thermal resistance**

Symbol	Parameter	Value	Unit
$R_{th(j-a)}$	Junction to ambient	170	$^{\circ}\text{C/W}$

**Table 3. Electrical characteristics (T<sub>amb</sub> = 25 °C)**

Symbol	Parameter
V <sub>RM</sub>	Stand-off voltage
I <sub>RM</sub>	Leakage current at stand-off voltage
V <sub>R</sub>	Continuous reverse voltage
V <sub>BR</sub>	Breakdown voltage
V <sub>BO</sub>	Breakover voltage
I <sub>H</sub>	Holding current
I <sub>BO</sub>	Breakover current
V <sub>F</sub>	Forward voltage drop
I <sub>PP</sub>	Peak pulse current
C	Capacitance

**Table 4. Static parameters**

Order code	I <sub>RM</sub> @ V <sub>RM</sub>		I <sub>R</sub> <sup>(1)</sup> @ V <sub>R</sub>		V <sub>BO</sub> <sup>(2)</sup> @ I <sub>BO</sub>			I <sub>H</sub> <sup>(3)</sup>	C <sup>(4)</sup>
	max.		max.		max.	min.	max.	min.	max.
	μA	V	μA	V	V	V	mA	mA	pF
THBT15011D	5	135	50	150	210	50	400	150	80
THBT20011D	5	180	50	200	290	50	400	150	80
THBT27011D	5	240	50	270	380	50	400	150	80

1. I<sub>R</sub> measured at V<sub>R</sub> guarantee V<sub>BR</sub> min ≥ V<sub>R</sub>
2. Measured at 50 Hz (1 cycle) - See [Figure 4: Test circuit 1 for I<sub>BO</sub> and V<sub>BO</sub> parameters.](#)
3. See [Figure 5: Test circuit 2 for dynamic I<sub>H</sub> parameter.](#)
4. V<sub>R</sub> = 1 V, F = 1 MHz.

**Table 5. Dynamic breakover voltages (transversal mode)**

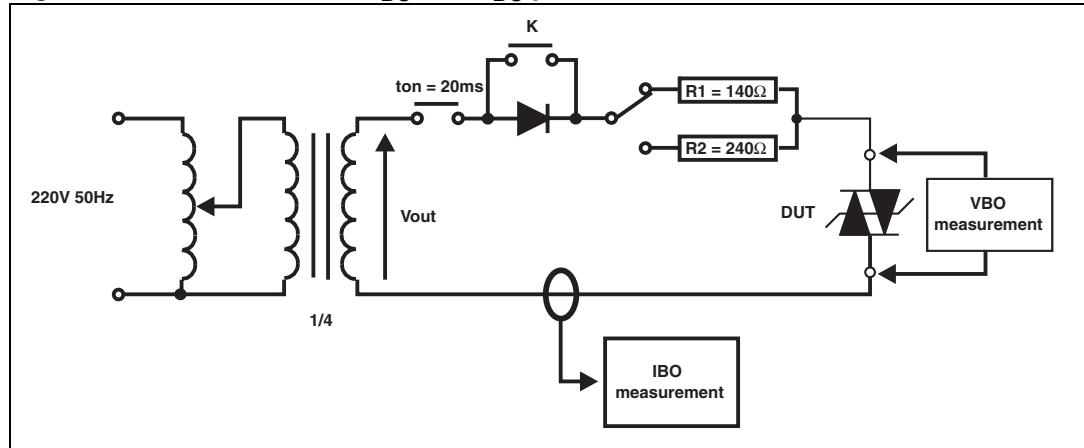
Type	Symbol	Test conditions <sup>(1)</sup>				Max	Unit
THBT15011D	V <sub>BO</sub>	10/700 μs	1.5 kV	R <sub>p</sub> = 10 Ω	I <sub>PP</sub> = 30 A	190	V
		1.2/50 μs	1.5 kV	R <sub>p</sub> = 10 Ω	I <sub>PP</sub> = 30 A	190	
		2/10 μs	2.5 kV	R <sub>p</sub> = 62 Ω	I <sub>PP</sub> = 38 A	200	
THBT20011D	V <sub>BO</sub>	10/700 μs	1.5 kV	R <sub>p</sub> = 10 Ω	I <sub>PP</sub> = 30 A	270	V
		1.2/50 μs	1.5 kV	R <sub>p</sub> = 10 Ω	I <sub>PP</sub> = 30 A	270	
		2/10 μs	2.5 kV	R <sub>p</sub> = 62 Ω	I <sub>PP</sub> = 38 A	280	
THBT27011D	V <sub>BO</sub>	10/700 μs	1.5 kV	R <sub>p</sub> = 10 Ω	I <sub>PP</sub> = 30 A	360	V
		1.2/50 μs	1.5 kV	R <sub>p</sub> = 10 Ω	I <sub>PP</sub> = 30 A	360	
		2/10 μs	2.5 kV	R <sub>p</sub> = 62 Ω	I <sub>PP</sub> = 38 A	400	

1. See [Figure 6: Test circuit 3 for V<sub>BO</sub> parameters.](#) R<sub>p</sub> is the protection resistor located on the line card.

## 2 Test circuits

### 2.1 Test procedure for test circuit 1 for $I_{BO}$ and $V_{BO}$ parameters

Figure 4. Test circuit 1 for  $I_{BO}$  and  $V_{BO}$  parameters



Pulse test duration ( $t_p = 20 \text{ ms}$ ):

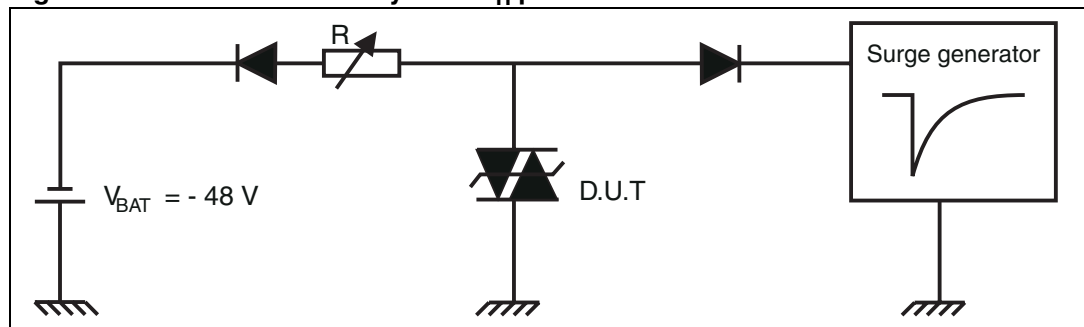
- For bidirectional devices switch K is closed.
- For unidirectional devices switch K is open.

$V_{OUT}$  selection:

- For device with  $V_{BO} < 200 \text{ V}$ ,  $V_{OUT} = 250 \text{ V}_{RMS}$ ,  $R1 = 140 \Omega$ .
- For device with  $V_{BO} \geq 200 \text{ V}$ ,  $V_{OUT} = 480 \text{ V}_{RMS}$ ,  $R2 = 240 \Omega$ .

### 2.2 Test procedure for test circuit 2 for dynamic $I_H$ parameter

Figure 5. Test circuit 2 for dynamic  $I_H$  parameter



This is a go no-go test, which can confirm the holding current ( $I_H$ ) level.

#### Procedure

1. Adjust the current level at the  $I_H$  value by short circuiting the AK of the D.U.T.
2. Fire the D.U.T. with a surge current  $I_{PP} = 10\text{A}$ ,  $10/1000\mu\text{s}$ .
3. The D.U.T. will come back off-state within 50 ms maximum.

### 2.3 Test circuit 3 for $V_{BO}$ parameters

Figure 6. Test circuit 3 for  $V_{BO}$  parameters

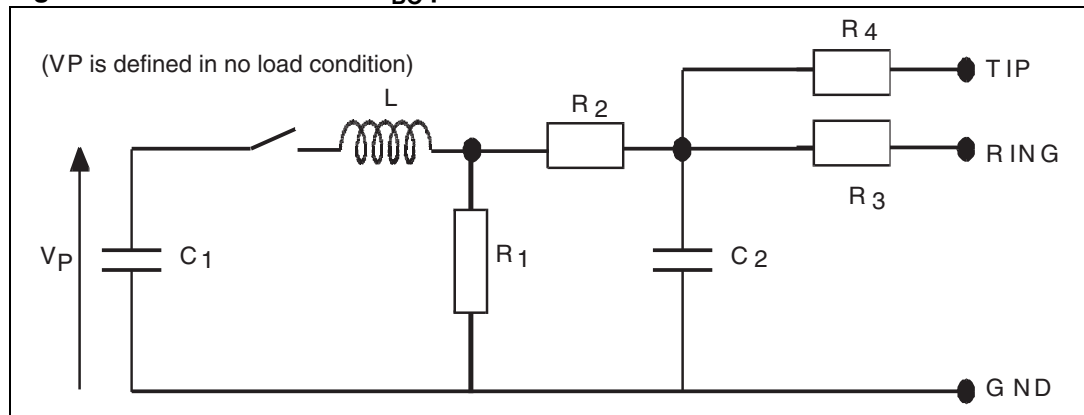
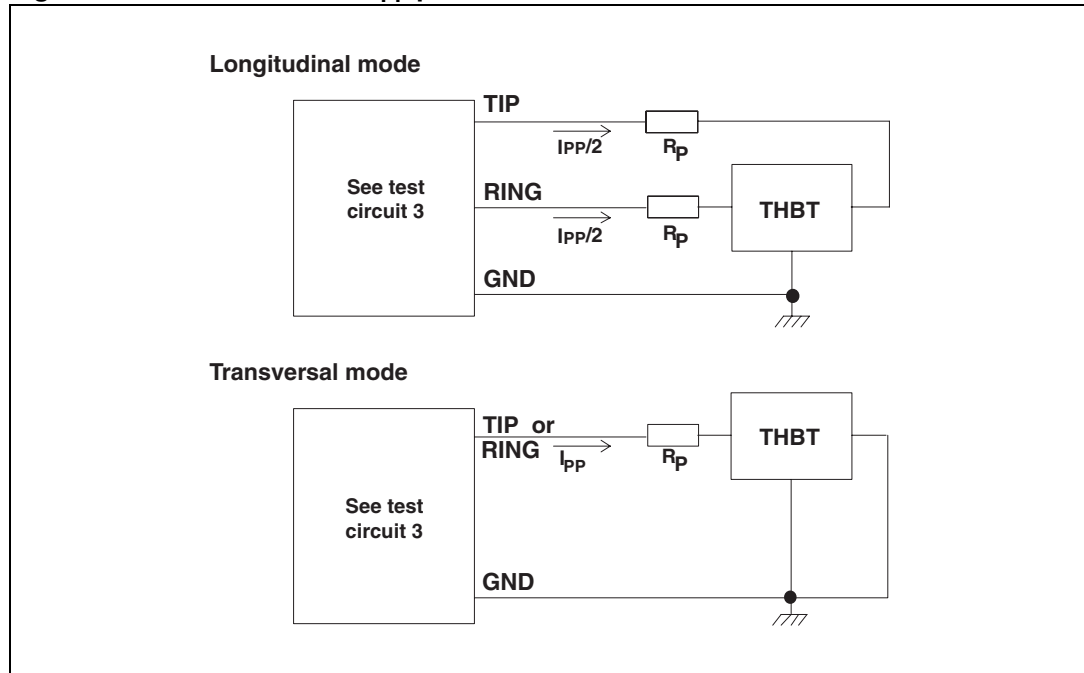


Table 6. Parameters for test circuit 3 for selected pulse characteristics

Pulse ( $\mu$ s)		$V_p$ (V)	$C_1$ ( $\mu$ F)	$C_2$ (nF)	L ( $\mu$ H)	$R_1$ ( $\Omega$ )	$R_2$ ( $\Omega$ )	$R_3$ ( $\Omega$ )	$R_4$ ( $\Omega$ )	$I_{pp}$ (A)	$R_p$ ( $\Omega$ )
$t_r$	$t_p$										
10	700	1500	20	200	0	50	15	25	25	30	10
1.2	50	1500	1	33	0	76	13	25	25	30	10
2	10	2500	10	0	1.1	1.3	0	3	3	38	62

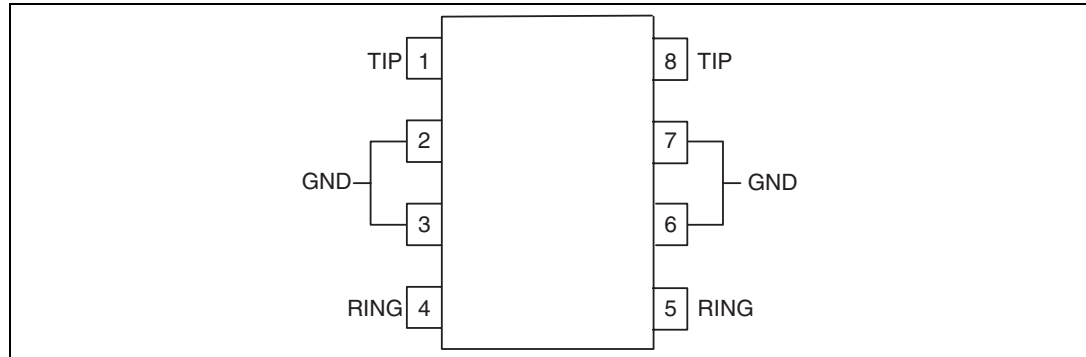
### 2.4 Test circuit 4 for $I_{pp}$ parameter

Figure 7. Test circuit 4 for  $I_{pp}$  parameter



### 3 Application information

Figure 8. Device connections



Connect pins 2, 3, 6 and 7 to ground to guarantee a good surge current capability for long duration disturbances.

To take advantage of the “4-point” structure of the THBT, the TIP and RING lines have to cross the device. In this case, the device will eliminate the overvoltages generated by the parasitic inductances of the wiring ( $Ldi/dt$ ), especially for very fast transients.

### 3.1 Application circuits

Figure 9. Line card protection

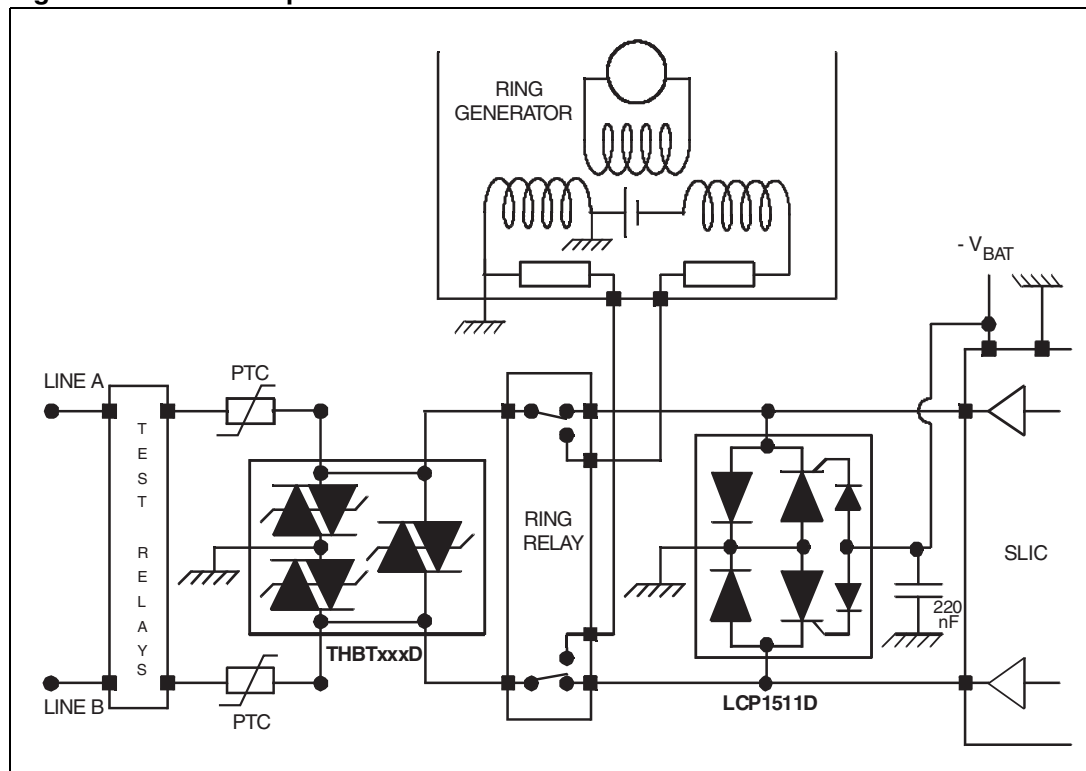
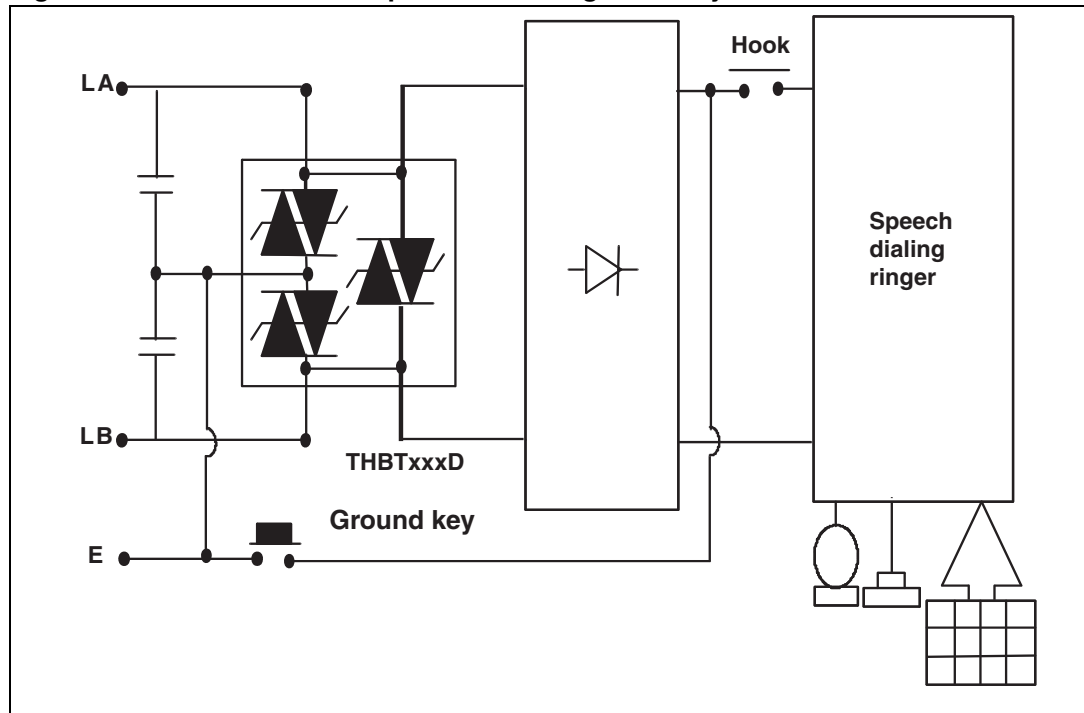
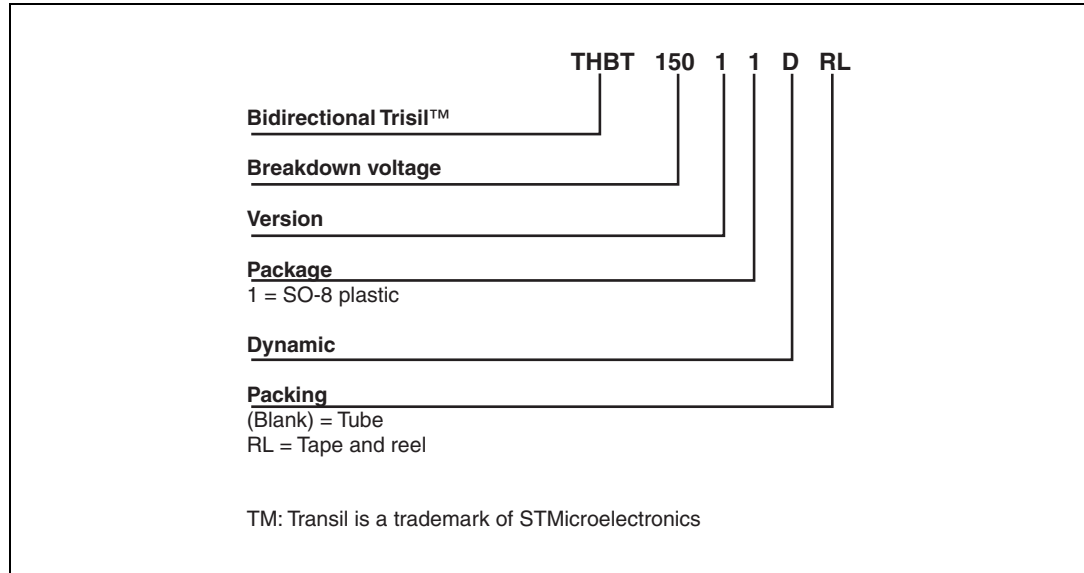


Figure 10. Protection for telephone set with ground key



## 4 Ordering information scheme

Figure 11. Ordering information scheme





## 5 Package information

- Epoxy meets UL94, V0
- Lead-free package

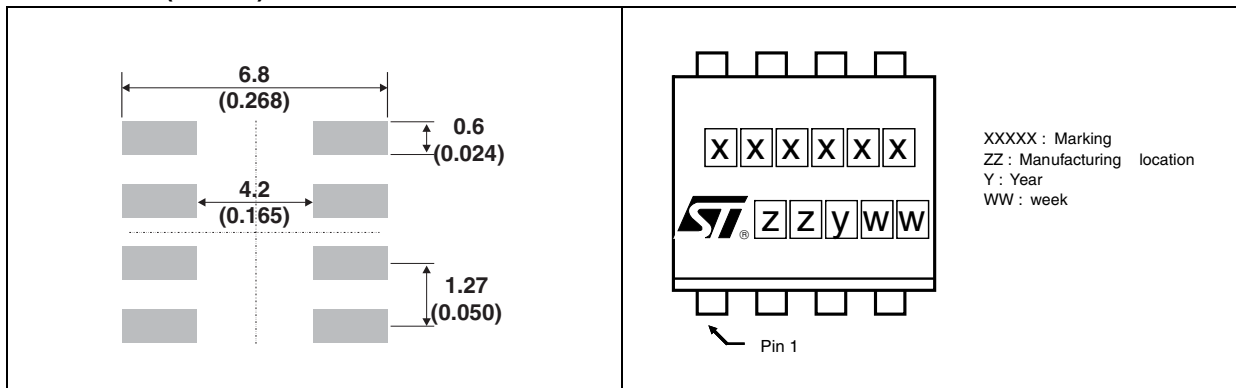
In order to meet environmental requirements, ST offers these devices in different grades of ECOPACK® packages, depending on their level of environmental compliance. ECOPACK® specifications, grade definitions and product status are available at: [www.st.com](http://www.st.com). ECOPACK® is an ST trademark.

Table 7. SO-8 dimensions

Ref.	Dimensions					
	Millimeters			Inches		
	Min.	Typ.	Max.	Min.	Typ.	Max.
A			1.75			0.069
A1	0.1		0.25	0.004		0.010
A2	1.25			0.049		
b	0.28		0.48	0.011		0.019
C	0.17		0.23	0.007		0.009
D	4.80	4.90	5.00	0.189	0.193	0.197
E	5.80	6.00	6.20	0.228	0.236	0.244
E1	3.80	3.90	4.00	0.150	0.154	0.157
e		1.27			0.050	
h	0.25		0.50	0.010		0.020
L	0.40		1.27	0.016		0.050
L1		1.04			0.041	
k	0°		8°	0°		8°
ppp			0.10			0.004

Figure 12. Footprint, dimensions in mm (inches)

Figure 13. Marking



## 6 Ordering information

**Table 8. Ordering information**

Order code	Marking	Package	Weight
THBT15011D	BT151D	SO-8	0.077 g
THBT20011D	BT201D		
THBT27011D	BT271D		

## 7 Revision history

**Table 9. Document revision history**

Date	Revision	Changes
Oct-2003	7A	Previous release
19-Feb-2008	8	Reformatted to current standards. Removed THBT16011D from <a href="#">Table 4</a> and <a href="#">Table 8</a> . Updated <a href="#">Figure 4</a> , <a href="#">Figure 5</a> , and <a href="#">Figure 9</a> . Added ECOPACK paragraph in <a href="#">Section 5</a> . Added <a href="#">Figure 13: Marking</a> .
09-Dec-2010	9	Restructured for conformity with other products in this class. Updated trademark statement for Trisil in <a href="#">Figure 11</a> .

**Please Read Carefully:**

Information in this document is provided solely in connection with ST products. STMicroelectronics NV and its subsidiaries ("ST") reserve the right to make changes, corrections, modifications or improvements, to this document, and the products and services described herein at any time, without notice.

All ST products are sold pursuant to ST's terms and conditions of sale.

Purchasers are solely responsible for the choice, selection and use of the ST products and services described herein, and ST assumes no liability whatsoever relating to the choice, selection or use of the ST products and services described herein.

No license, express or implied, by estoppel or otherwise, to any intellectual property rights is granted under this document. If any part of this document refers to any third party products or services it shall not be deemed a license grant by ST for the use of such third party products or services, or any intellectual property contained therein or considered as a warranty covering the use in any manner whatsoever of such third party products or services or any intellectual property contained therein.

**UNLESS OTHERWISE SET FORTH IN ST'S TERMS AND CONDITIONS OF SALE ST DISCLAIMS ANY EXPRESS OR IMPLIED WARRANTY WITH RESPECT TO THE USE AND/OR SALE OF ST PRODUCTS INCLUDING WITHOUT LIMITATION IMPLIED WARRANTIES OF MERCHANTABILITY, FITNESS FOR A PARTICULAR PURPOSE (AND THEIR EQUIVALENTS UNDER THE LAWS OF ANY JURISDICTION), OR INFRINGEMENT OF ANY PATENT, COPYRIGHT OR OTHER INTELLECTUAL PROPERTY RIGHT.**

**UNLESS EXPRESSLY APPROVED IN WRITING BY AN AUTHORIZED ST REPRESENTATIVE, ST PRODUCTS ARE NOT RECOMMENDED, AUTHORIZED OR WARRANTED FOR USE IN MILITARY, AIR CRAFT, SPACE, LIFE SAVING, OR LIFE SUSTAINING APPLICATIONS, NOR IN PRODUCTS OR SYSTEMS WHERE FAILURE OR MALFUNCTION MAY RESULT IN PERSONAL INJURY, DEATH, OR SEVERE PROPERTY OR ENVIRONMENTAL DAMAGE. ST PRODUCTS WHICH ARE NOT SPECIFIED AS "AUTOMOTIVE GRADE" MAY ONLY BE USED IN AUTOMOTIVE APPLICATIONS AT USER'S OWN RISK.**

Resale of ST products with provisions different from the statements and/or technical features set forth in this document shall immediately void any warranty granted by ST for the ST product or service described herein and shall not create or extend in any manner whatsoever, any liability of ST.

ST and the ST logo are trademarks or registered trademarks of ST in various countries.

Information in this document supersedes and replaces all information previously supplied.

The ST logo is a registered trademark of STMicroelectronics. All other names are the property of their respective owners.

© 2010 STMicroelectronics - All rights reserved

STMicroelectronics group of companies

Australia - Belgium - Brazil - Canada - China - Czech Republic - Finland - France - Germany - Hong Kong - India - Israel - Italy - Japan - Malaysia - Malta - Morocco - Philippines - Singapore - Spain - Sweden - Switzerland - United Kingdom - United States of America

[www.st.com](http://www.st.com)

