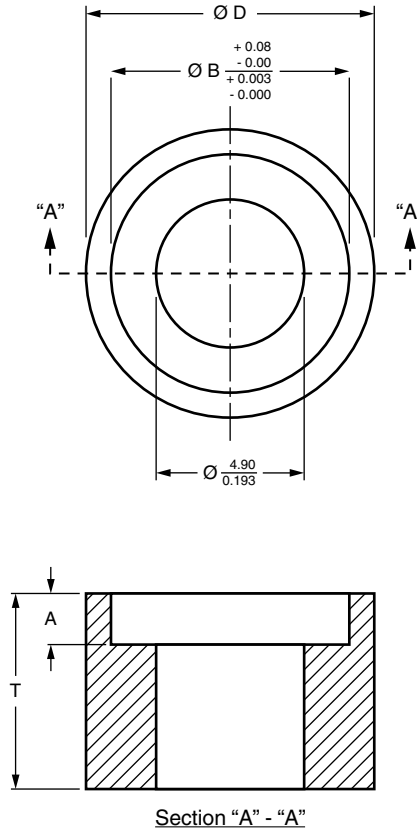


## Specification for Bushing

### DIMENSIONS AND AVAILABLE FORM



DIMENSIONS								
PART NUMBER	MILLIMETERS				INCHES			
	A	B	D	T	A	B	D	T
75-327	1.65	7.90	9.53	6.35	0.065	0.311	0.375	0.250
75-327A	1.65	7.90	9.53	2.65	0.065	0.311	0.375	0.104

WHERE USED		
PRODUCT FAMILY	DOCUMENT NUMBER	TO VIEW THE PRODUCT, PLEASE GO TO THE FOLLOWING LINKS:
36D/DE/DX	42066	<a href="http://www.vishay.com/doc?42066">www.vishay.com/doc?42066</a>
36DA	42067	<a href="http://www.vishay.com/doc?42067">www.vishay.com/doc?42067</a>
36DY	42065	<a href="http://www.vishay.com/doc?42065">www.vishay.com/doc?42065</a>