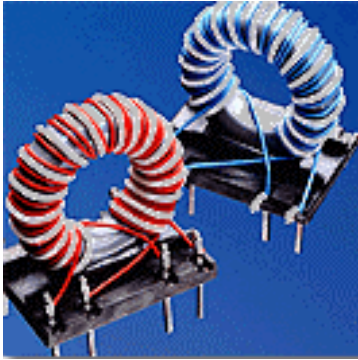




Toroidal Gate Drive Transformers



- Deliver MOSFET / IGBT gate power and timing signals simultaneously
- Directly drive high-side MOSFETs / IGBTs on busses up to 400V
- Excellent risetime, overshoot, and peak current characteristics
- >8 mm minimum creepage and clearance from drive to gates exceeds safety agency requirements for many common applications
- UL class B (130°C) insulation system
- RoHS Compliant versions of GDT series

Model Selection Table

Vishay P/N	Useful	Transfer	Drive	Magnetizing	Leakage	DC Resistance ²		Interwinding Capacitance	
	Freq. Range (kHz)	Ratio ¹ (+/-3%)	Excitation (V·μS MAX)	Inductance ^{2,3} (μH MIN)	Inductance ⁴ (μH MAX)	Drive (Ω MAX)	Gates (Ω MAX)	Drive-Gate (pF MAX)	Gate-Gate (pF MAX)
MTTA83764	25 ~ 125	1 : 1 : 1	320	3200	3.0	0.52	0.52	80	80
MTTA84508	50 ~ 250	1 : 1 : 1	160	800	1.0	0.26	0.26	35	35
MTTA79909	100 ~ 500	1 : 1 : 1	120	450	0.5	0.17	0.17	20	20
MTTA83765	100 ~ 500	1 : 1.5 : 1.5	120	450	0.5	0.18	0.25	35	35

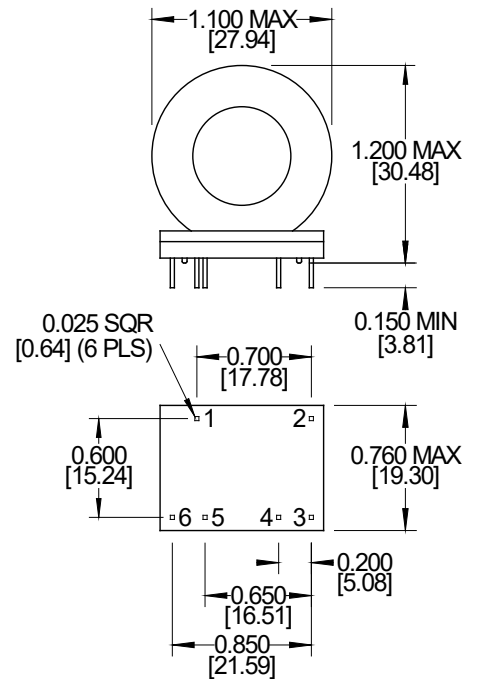
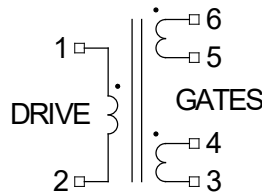
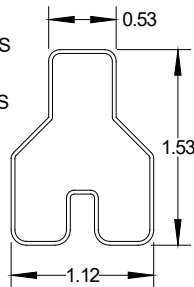
Absolute Maximum Ratings (All Models)

Parameter	Conditions	Limit(s)	Units
Dielectric Withstand Voltage	Drive-gate; 1 min	3750	VAC
	Gate-gate; 1 min	2500	VAC
Winding Current	Any winding	500	mARMS
Operating Temperature	Continuous	-40 ~ +85	°C
Storage Temperature	Continuous	-40 ~ +105	°C

1. Drive : Gate : Gate.
2. T_A = 25°C.
3. Small-signal measurement across the Drive winding with both Gates open.
4. Small-signal measurement across the Drive winding with both Gates shorted.

PACKING TUBE SPECIFICATIONS

MATERIAL: ANTISTATIC PVC
 LENGTH: 17.00 +0 / -0.12 INCHES
 CAPACITY: 15 UNITS / TUBE



Units are inches [mm].

Tolerance on all dimensions is +/-0.010 [0.25] unless otherwise specified

Specifications are subject to change without notice.

www.vishay.com

CustomMags@vishay.com

Vishay HiRel Systems, LLC
 140 Crosby Road
 Dover, NH 03820
 Phone (603) 742-4375
 Fax (603) 742-9165

CAGE: 0EUG1
 Date code 2033