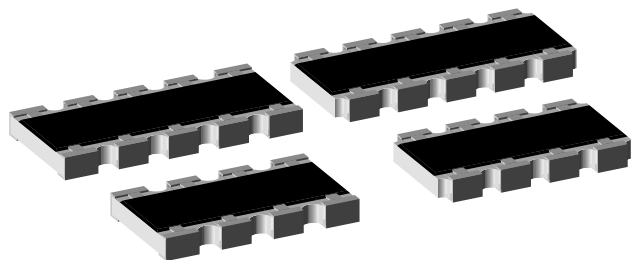




Thick Film Resistor/Capacitor Chip Array, Surface Mount



FEATURES

- Single component reduces board space and component counts
- X7R dielectric characteristic
- Wrap around termination
- Thick film R/C element
- Inner electrode protection
- Flow and reflow solderable
- Automatic placement capability, standard size
- 8 pin or 10 pin configurations
- Material categorization: for definitions of compliance please see www.vishay.com/doc?99912



STANDARD ELECTRICAL SPECIFICATIONS										
GLOBAL MODEL	SCHEMATIC	RESISTOR CHARACTERISTICS				CAPACITOR CHARACTERISTICS				
		POWER RATING $P_{70^\circ\text{C}}$ W	TEMP. COEFF. \pm ppm/ $^\circ\text{C}$	RESISTANCE TOLERANCE \pm %	RESISTANCE RANGE Ω	DIELECTRIC	TEMPERATURE COEFFICIENT %	CAP. TOL. \pm %	CAP. VOLTAGE V_{DC}	CAP. RANGE
CRCA12E CRCA12S	01	0.125	200	5	10 to 1M	X7R	\pm 15	20	50	10 pF to 270 pF
	02	0.125	200	5	10 to 1M	X7R	\pm 15	20	50	10 pF to 270 pF
	03	0.125	200	5	10 to 1M	X7R	\pm 15	20	50	10 pF to 270 pF

Notes

RESISTOR

- Operating temperature range: -55°C to $+125^\circ\text{C}$
- Technology: Thick film

CAPACITOR

- Operating temperature range: X7R -55°C to $+125^\circ\text{C}$
- Maximum dissipation factor: 2.5 %we
- Dielectric withstanding voltage: $125 V_{\text{DC}}$, 5 s, 50 mA charge

- Ask about extended value ranges.
- Packaging: According to EIA 481.
- Power rating depends on the max. temperature at the solder point, the component placement density and the substrate material.

TECHNICAL SPECIFICATIONS			
PARAMETER	UNIT	RESISTOR	X7R CAPACITOR
Rated dissipation at 70°C (CECC 40401 I EIA 575)	W	0.125	-
Capacitor voltage rating	V	-	50
Dielectric withstanding voltage (5 s, 50 mA charge)	V_{DC}	-	125
Category temperature range	$^\circ\text{C}$	$-55 / +125$	$-55 / +125$
Insulation resistance	Ω	$> 10^{10}$	

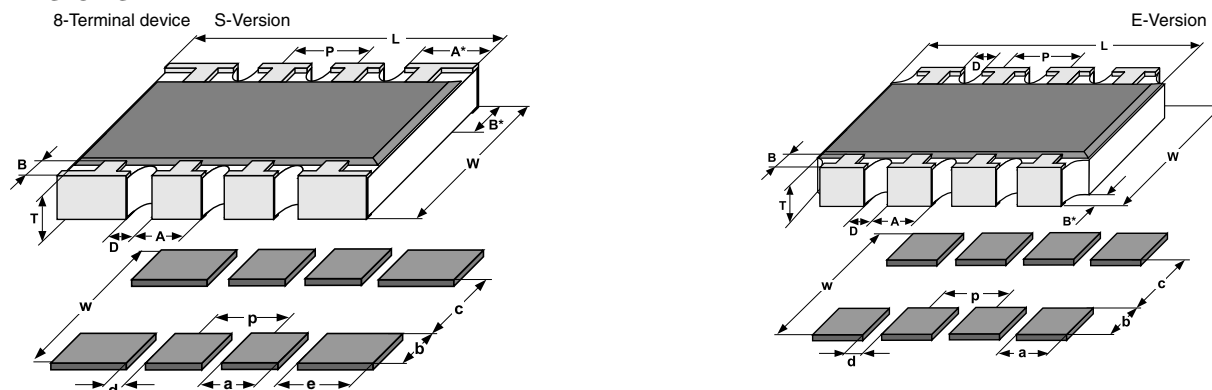
GLOBAL PART NUMBER INFORMATION																	
New Global Part Numbering: CRCA12E081472J220MRB8 (preferred part numbering format)																	
C	R	C	A	1	2	E	0	8	1	4	7	2	2	2	0	R	
MODEL	PIN COUNT	SCHEMATIC	RESISTANCE VALUE	CAPACITANCE VALUE	PACKAGING	SPECIAL											
CRCA12E CRCA12S	08 = 8 pin 10 = 10 pin	1 = 01 2 = 02 3 = 03 0 = Special	2 digit significant figures, followed by a multiplier 100 = 10 Ω 683 = 68 k Ω 105 = 1 M Ω (Tolerance = \pm 5 %)	2 digit significant figures, followed by multiplier 100 = 10 pF 560 = 56 pF 271 = 270 pF (Tolerance = \pm 20 %)	E = Lead (Pb)-free, T/R (2000 pcs) R = Tin/Lead, T/R (2000 pcs)	(Dash number) (Up to 1 digit) Blank = Standard											
Historical Part Number Example: CRCA12E0801472J220MRB8 (will continue to be accepted)																	
CRCA12E	08	01	472	J	220	M	RB8										
MODEL	PIN COUNT	SCHEMATIC	RESISTANCE VALUE	TOLERANCE	CAPACITANCE VALUE	TOLERANCE	PACKAGING										

Note

- For additional information on packaging, refer to the Surface Mount Network Packaging document (www.vishay.com/doc?31540).



DIMENSIONS



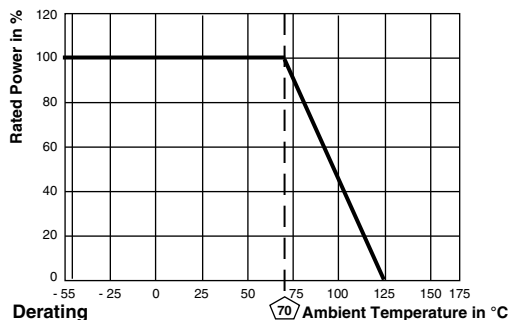
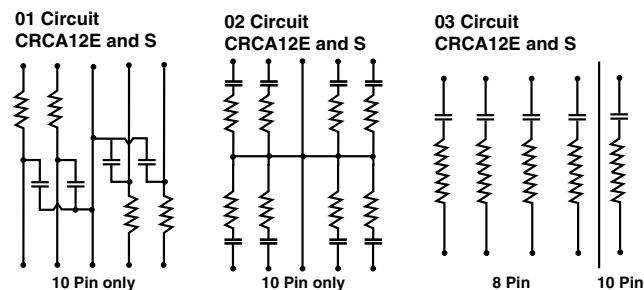
GLOBAL MODEL	PIN NO#	SIZE		DIMENSIONS in millimeters								
		INCH	METRIC	L	W	T	B	B*	A	A*	D _{NOM}	P _{NOM}
CRCA12E	8	2012	5032	5.1 ± 0.15	3.05 ± 0.15	0.61 ± 0.10	0.51 ± 0.25	0.38 ± 0.2	0.79 ± 0.15	-	0.25	1.27
CRCA12S	8	2012	5032	5.1 ± 0.15	3.05 ± 0.15	0.61 ± 0.10	0.51 ± 0.25	0.38 ± 0.2	0.79 ± 0.15	0.89 ± 0.15	0.25	1.27
CRCA12E	10	2512	6432	6.4 ± 0.15	3.05 ± 0.15	0.61 ± 0.10	0.51 ± 0.25	0.38 ± 0.2	0.79 ± 0.15	-	0.25	1.27
CRCA12S	10	2512	6432	6.4 ± 0.15	3.05 ± 0.15	0.61 ± 0.10	0.51 ± 0.25	0.38 ± 0.2	0.79 ± 0.15	0.89 ± 0.15	0.25	1.27

SOLDER PAD DIMENSIONS in millimeters							
	c	w	d	p	a	b	e
WAVE SOLDERING	2.2	4.3	0.57	1.27	0.71	1.05	1.09
REFLOW SOLDERING	2.2	3.9	0.57	1.27	0.71	0.86	1.09

Note

- The images shown are for an 8 pin part. For a 10 pin part, use the same pitch and add another pair of "a" dimension pads to the inner solder pads.

SCHEMATICS



PERFORMANCE			
TEST	CONDITIONS OF TEST	TEST RESULTS (TYPICAL TEST LOTS)	
		R	C
Endurance test at 70 °C MIL-STD-202 method 108	1000 h at 70 °C, 1.5 h "ON", 0.5 h "OFF"	± (5 % + 2 Ω)	± 20 %
Dielectric withstanding voltage MIL-STD-202 method 301	125 V _{DC} , 5 s, 50 mA charge	No physical damage	
Thermal shock MIL-STD-202 method 107	100 cycles, -55 °C to +125 °C	± (5 % + 2 Ω)	± 20 %
Moisture MIL-STD-202 method 106	Omit steps 7A and B	± (5 % + 2 Ω)	± 20 %
Resistance to soldering heat EIA 575	10 s at 260 °C solder bath temperature	± (5 % + 2 Ω)	± 20 %
High temperature exposure EIA 575	125 °C for 100 h	± (5 % + 2 Ω)	± 20 %
Low temperature operation EIA 575	1 h at -55 °C then 45 min at 50 V	± (5 % + 2 Ω)	± 20 %
Solderability and leaching EIA 575 3.12	Condition C	95 % coverage	

APPLICABLE SPECIFICATIONS
<ul style="list-style-type: none"> IPC standards EIA 575



Disclaimer

ALL PRODUCT, PRODUCT SPECIFICATIONS AND DATA ARE SUBJECT TO CHANGE WITHOUT NOTICE TO IMPROVE RELIABILITY, FUNCTION OR DESIGN OR OTHERWISE.

Vishay Intertechnology, Inc., its affiliates, agents, and employees, and all persons acting on its or their behalf (collectively, "Vishay"), disclaim any and all liability for any errors, inaccuracies or incompleteness contained in any datasheet or in any other disclosure relating to any product.

Vishay makes no warranty, representation or guarantee regarding the suitability of the products for any particular purpose or the continuing production of any product. To the maximum extent permitted by applicable law, Vishay disclaims (i) any and all liability arising out of the application or use of any product, (ii) any and all liability, including without limitation special, consequential or incidental damages, and (iii) any and all implied warranties, including warranties of fitness for particular purpose, non-infringement and merchantability.

Statements regarding the suitability of products for certain types of applications are based on Vishay's knowledge of typical requirements that are often placed on Vishay products in generic applications. Such statements are not binding statements about the suitability of products for a particular application. It is the customer's responsibility to validate that a particular product with the properties described in the product specification is suitable for use in a particular application. Parameters provided in datasheets and / or specifications may vary in different applications and performance may vary over time. All operating parameters, including typical parameters, must be validated for each customer application by the customer's technical experts. Product specifications do not expand or otherwise modify Vishay's terms and conditions of purchase, including but not limited to the warranty expressed therein.

Hyperlinks included in this datasheet may direct users to third-party websites. These links are provided as a convenience and for informational purposes only. Inclusion of these hyperlinks does not constitute an endorsement or an approval by Vishay of any of the products, services or opinions of the corporation, organization or individual associated with the third-party website. Vishay disclaims any and all liability and bears no responsibility for the accuracy, legality or content of the third-party website or for that of subsequent links.

Except as expressly indicated in writing, Vishay products are not designed for use in medical, life-saving, or life-sustaining applications or for any other application in which the failure of the Vishay product could result in personal injury or death. Customers using or selling Vishay products not expressly indicated for use in such applications do so at their own risk. Please contact authorized Vishay personnel to obtain written terms and conditions regarding products designed for such applications.

No license, express or implied, by estoppel or otherwise, to any intellectual property rights is granted by this document or by any conduct of Vishay. Product names and markings noted herein may be trademarks of their respective owners.