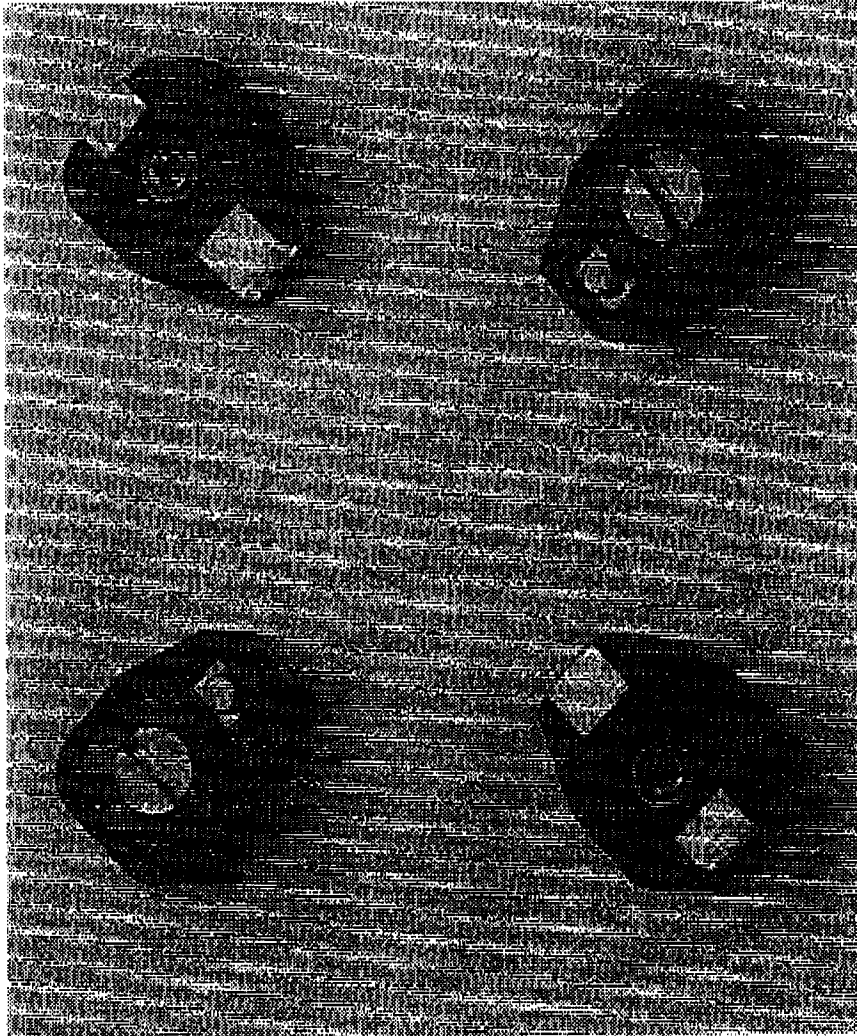


# SMD Trimmer Capacitor Film Dielectric 2807S

## Film Dielectric Trimmer Capacitor 7mm



### Features:

True SMD design

High Q PTFE Teflon film dielectric (1000@10MHz)

Available in bulk or 13" (33cm) reels

Wide -40 to 85°C operating range

# SMD Trimmer Capacitor Film Dielectric

2807S

Film Dielectric Trimmer Capacitor  
7mm



### SPECIFICATIONS

#### Electrical

Insulation Resistance	: 100MΩ minimum (@100V)
Voltage rating	100V dc
Minimum Q	1000 @ 10MHz
	300 @ 100 MHz
Temperature coefficient	+/-100ppm/°C
Operating Temperature Range	-40 to 85°C

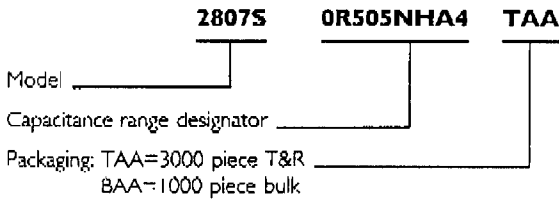
#### Mechanical

Effective angle of rotation	: 360°
Operating Torque	: 20-30 g•cm
Ratio of maximum to minimum torque	<3:1
Maximum soldering temperature:	260°C for 5 seconds

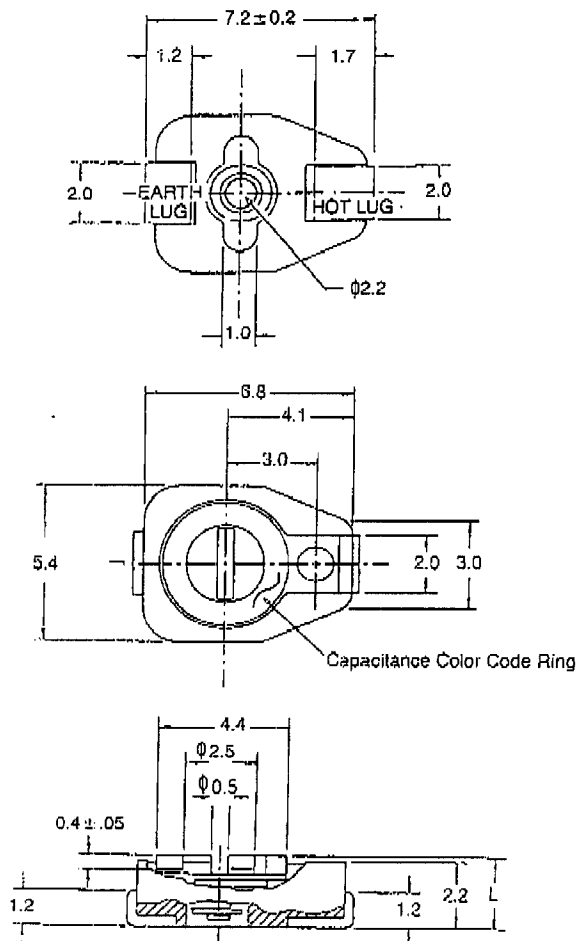
#### Features:

- True SMD design
- High Q PTFE Teflon film dielectric (1000@10MHz)
- Available in bulk or 13" (33cm) reels
- Wide -40 to 85°C operating range

#### Part Number



(dimensions in mm)



**2807S**

Surface Mount

**ORDERING PART NUMBER**

PHILIPS COMPONENTS ORDERING PART NUMBER	CAPACITANCE RANGE		L in. (mm)	CAPACITANCE COLOR CODE	PACKAGING
	min.	max.			
2807S0R505NHA4TAA	0.3 ± 0.2	5-0.5/+3	0.087 (2.2)	orange	Tape & reel
2807S0R505NHA4BAA	0.3 ± 0.2	5-0.5/+3	0.087 (2.2)	orange	Bulk
2807S0R610NHB4TAA	0.4 ± 0.2	10-1/+5	0.087 (2.2)	black	Tape & reel
2807S0R610NHB4BAA	0.4 ± 0.2	10-1/+5	0.087 (2.2)	black	Bulk
2807S0R815NHC4TAA	0.5 ± 0.3	15-0/+7	0.094 (2.4)	blue	Tape & reel
2807S0R815NHC4BAA	0.5 ± 0.3	15-0/+7	0.094 (2.4)	blue	Bulk
2807S1R020IHD4TAA	0.7 ± 0.3	20-0/+10	0.100 (2.55)	green	Tape & reel
2807S1R020IHD4BAA	0.7 ± 0.3	20-0/+10	0.100 (2.55)	green	Bulk