

Product Summary

$V_{(BR)DSS}$	$R_{DS(on) \max}$	I_D $T_A = +25^\circ\text{C}$ (Note 6)
-100V	150m Ω @ $V_{GS} = -10\text{V}$	-5.9A
	190m Ω @ $V_{GS} = -6\text{V}$	-5.1A

Description

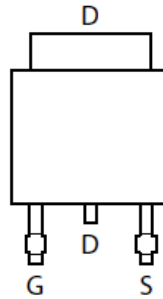
This new generation trench MOSFET from Zetex features a unique structure combining the benefits of low on-resistance and fast switching, making it ideal for high efficiency power management applications.

Applications

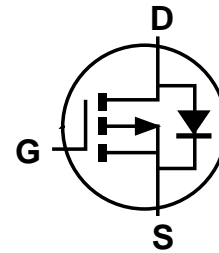
- DC-DC Converters
- Power Management Functions
- Disconnect Switches
- Motor Control



Top View



Top View
Pin Out



Equivalent circuit

Features and Benefits

- Low On-Resistance
- Fast Switching Speed
- Low Threshold
- Low Gate Drive
- DPAK Package
- **Totally Lead-Free & Fully RoHS Compliant (Notes 1 & 2)**
- **Halogen and Antimony Free. "Green" Device (Note 3)**
- **Qualified to AEC-Q101 Standards for High Reliability**

Mechanical Data

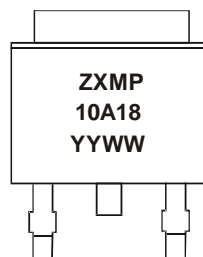
- Case: TO252 (DPAK)
- Case Material: Molded Plastic, "Green" Molding Compound. UL Flammability Classification Rating 94V-0 (Note 1)
- Moisture Sensitivity: Level 1 per J-STD-020
- Terminals Connections: See diagram below
- Terminals: Finish - Matte Tin Annealed over Copper Leadframe. Solderable per MIL-STD-202, Method 208
- Weight: 0.315 grams (Approximate)

Ordering Information (Note 4)

Part Number	Compliance	Case	Packaging
ZXMP10A18KTC	Standard	TO252	2,500/Tape & Reel

- Notes:
1. No purposely added lead. Fully EU Directive 2002/95/EC (RoHS) & 2011/65/EU (RoHS 2) compliant.
 2. See http://www.diodes.com/quality/lead_free.html for more information about Diodes Incorporated's definitions of Halogen- and Antimony-free, "Green" and Lead-free.
 3. Halogen- and Antimony-free "Green" products are defined as those which contain <900ppm bromine, <900ppm chlorine (<1500ppm total Br + Cl) and <1000ppm antimony compounds.
 4. For packaging details, go to our website at <http://www.diodes.com/products/packages.html>.

Marking Information



ZXMP10A18 = Product Type Marking Code
 YYWW = Date Code Marking
 YY = Year (ex: 10 = 2010)
 WW = Week (01 - 53)

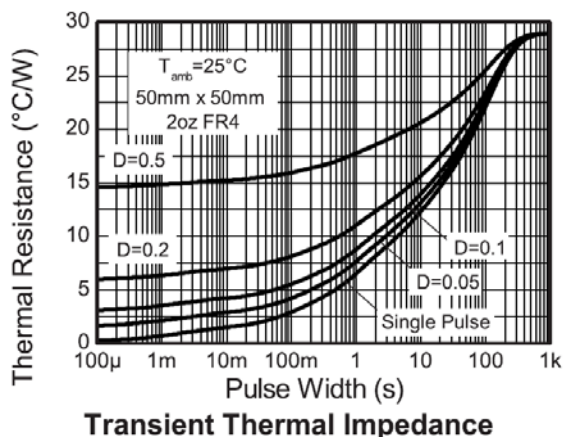
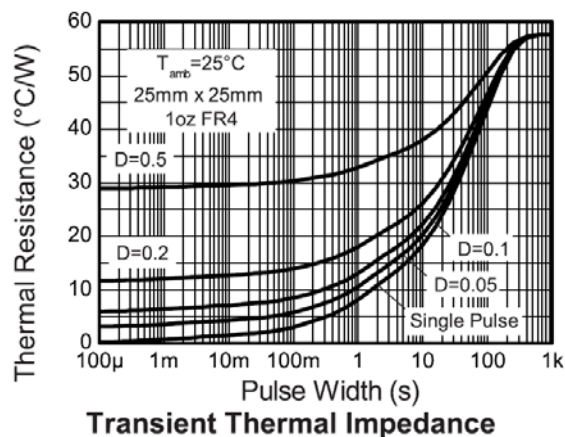
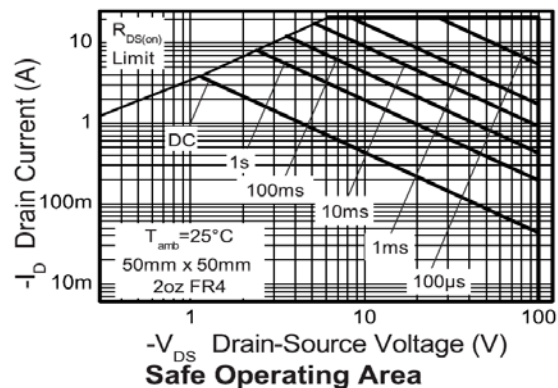
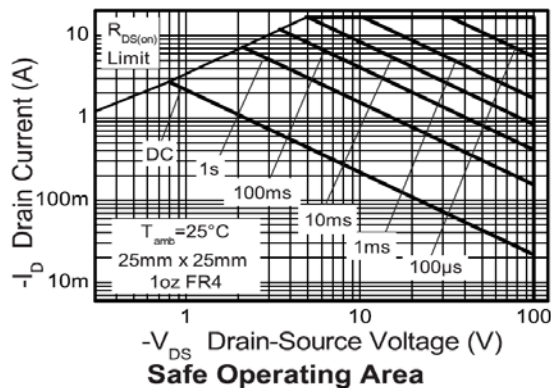
Maximum Ratings (@ $T_A = +25^\circ\text{C}$, unless otherwise specified.)

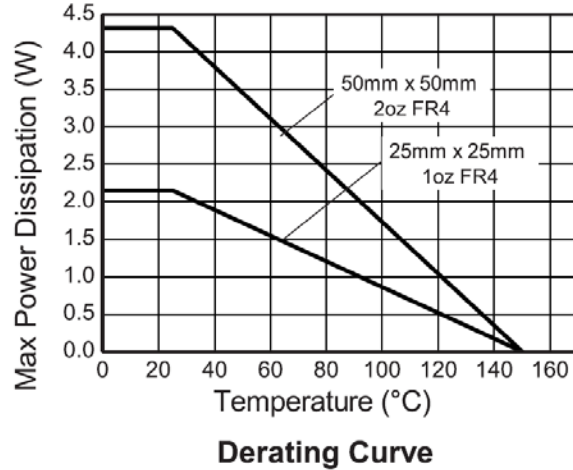
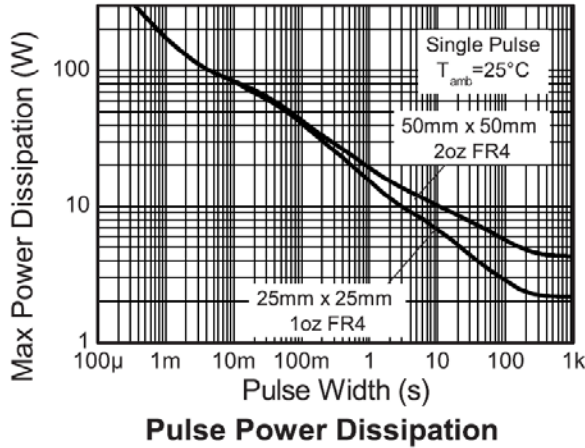
Characteristic	Symbol	Value	Units
Drain-Source Voltage	V_{DS}	-100	V
Gate-Source Voltage	V_{GS}	± 20	V
Continuous Drain Current	I_D	$T_A = +25^\circ\text{C}$ (Note 6)	-5.9
		$T_A = +70^\circ\text{C}$ (Note 6)	-4.7
		$T_A = +25^\circ\text{C}$ (Note 5)	-3.8
Pulsed Drain Current (Note 7)	I_{DM}	-21.1	A
Continuous Source Current (Body Diode) (Note 6)	I_S	-10	A
Pulsed Source Current (Body Diode) (Note 7)	I_{SM}	-21.1	A

Thermal Characteristics (@ $T_A = +25^\circ\text{C}$, unless otherwise specified.)

Characteristic	Symbol	Value	Units
Total Power Dissipation (Note 5) Linear Derating Factor	P_D	$T_A = +25^\circ\text{C}$ (Note 5)	4.3
		$T_A = +25^\circ\text{C}$ (Note 6)	34.4
		$T_A = +25^\circ\text{C}$ (Note 8)	10.2
		$T_A = +25^\circ\text{C}$ (Note 8)	81.3
Thermal Resistance, Junction to Ambient	$R_{\theta JA}$	(Note 5)	2.17
		(Note 6)	17.4
		(Note 8)	29
Operating and Storage Temperature Range	T_J, T_{STG}	-55 to +150	$^\circ\text{C}$

- Notes: 5. For a device surface mounted on 50mm x 50mm x 1.6mm FR4 PCB with high coverage of single sided 2oz copper, in still air conditions.
6. For a device surface mounted on FR4 PCB measured at $t \leq 10$ sec.
7. Repetitive rating on 50mm x 50mm x 1.6mm FR4 PCB, $D=0.02$, pulse width=300 μs – pulse width limited by maximum junction temperature.
8. For a device surface mounted on 25mm x 25mm x 1.6mm FR4 PCB with high coverage of single sided 1oz copper, in still air conditions.

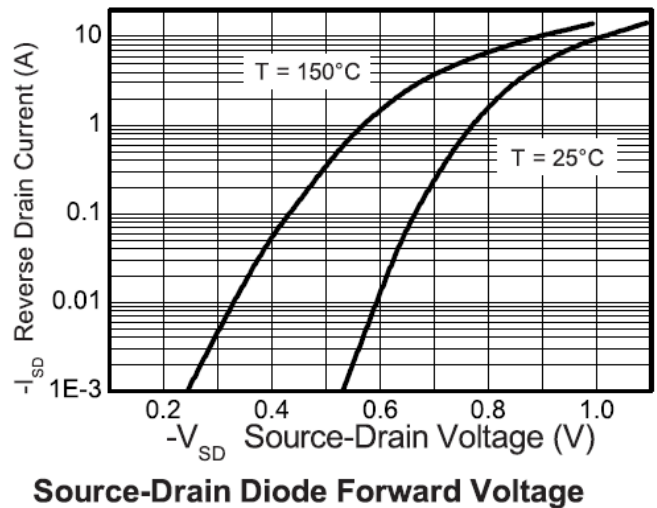
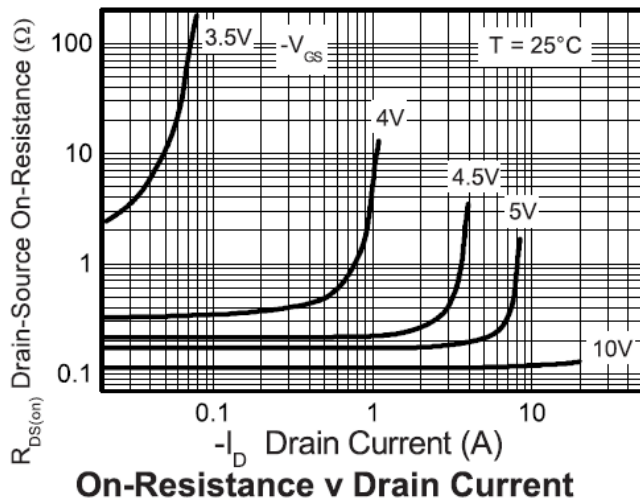
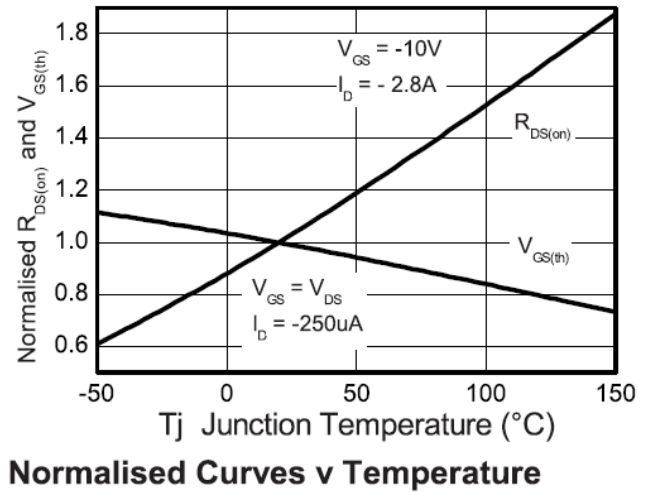
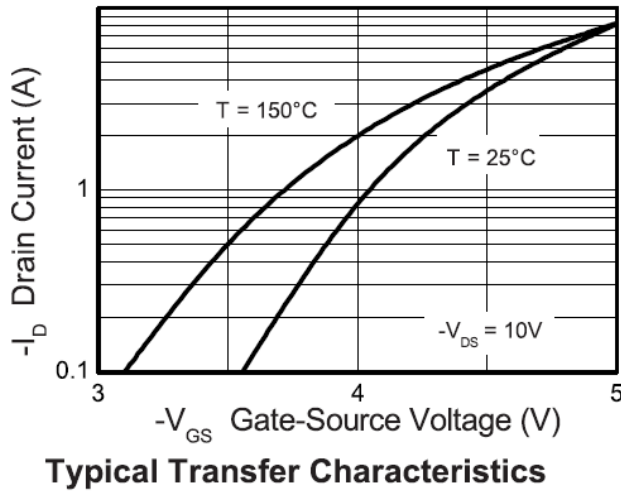
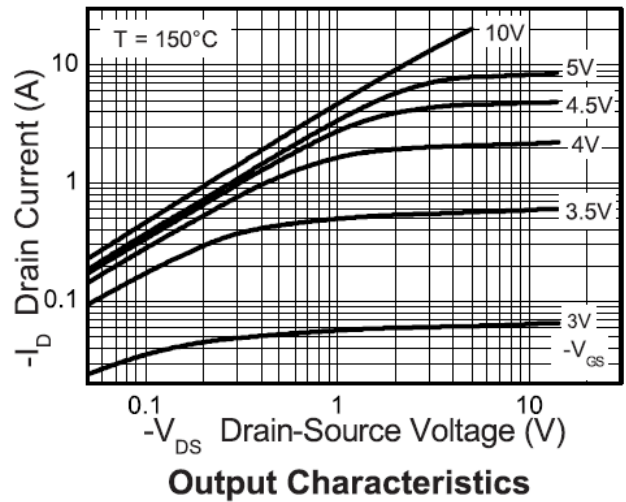
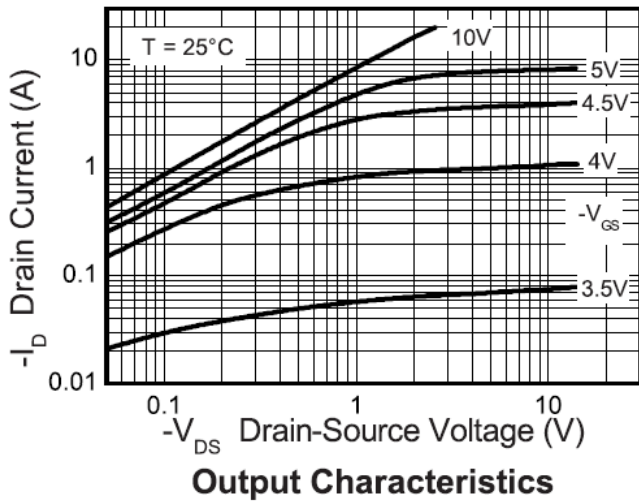
Thermal characteristics



Electrical Characteristics (@ $T_A = +25^\circ\text{C}$, unless otherwise specified.)

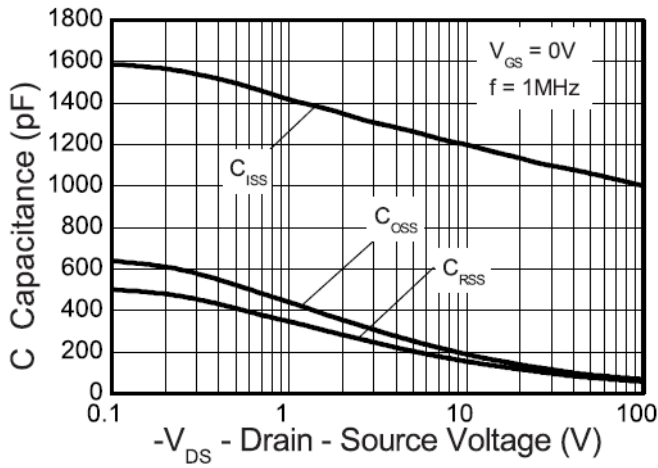
Characteristic	Symbol	Min	Typ	Max	Unit	Test Condition
OFF CHARACTERISTICS						
Drain-Source Breakdown Voltage	BV_{DSS}	-100	—	—	V	$V_{GS} = 0V, I_D = -250\mu A$
Zero Gate Voltage Drain Current	I_{DSS}	—	—	-1	μA	$V_{DS} = -100V, V_{GS} = 0V$
Gate-Source Leakage	I_{GSS}	—	—	± 100	nA	$V_{GS} = \pm 20V, V_{DS} = 0V$
ON CHARACTERISTICS						
Gate Threshold Voltage	$V_{GS(th)}$	-2	—	-4	V	$V_{DS} = V_{GS}, I_D = -250\mu A$
Static Drain-Source On-Resistance (Note 9)	$R_{DS(on)}$	—	—	150 190	m Ω	$V_{GS} = -10V, I_D = -2.8A$ $V_{GS} = -6V, I_D = -2.4A$
Forward Transconductance (Notes 9 & 11)	g_{fs}	—	6	—	S	$V_{DS} = -15V, I_D = -2.8A$
DYNAMIC CHARACTERISTICS (Note 11)						
Input Capacitance	C_{iss}	—	1055	—	pF	$V_{DS} = -50V, V_{GS} = 0V,$ $f = 1MHz$
Output Capacitance	C_{oss}	—	90	—	pF	
Reverse Transfer Capacitance	C_{rss}	—	76	—	pF	
SWITCHING CHARACTERISTICS (Notes 10 & 11)						
Turn-On Delay Time	$t_{d(on)}$	—	4.9	—	ns	$V_{DS} = -50V, V_{GS} = -10V,$ $I_D = -1A, R_G = 6\Omega$
Rise Time	t_r	—	6.8	—		
Turn-Off Delay Time	$t_{d(off)}$	—	33.9	—		
Rise Time	t_f	—	17.9	—		
Total Gate Charge	Q_g	—	26.9	—	nC	$V_{DS} = -50V, V_{GS} = -10V,$ $I_D = -2.8A$
Gate-Source Charge	Q_{gs}	—	3.9	—		
Gate-Drain Charge	Q_{gd}	—	10.2	—		
SOURCE-DRAIN DIODE CHARACTERISTICS						
Diode Forward Voltage (Note 9)	V_{SD}	—	-0.85	-0.95	V	$T_J = +25^\circ\text{C}, V_{GS} = 0V, I_S = -3.5A$
Reverse Recovery Time (Note 11)	t_{rr}	—	49	—	ns	$T_J = +25^\circ\text{C}, I_S = -2.8A,$
Reverse Recovery Charge (Note 11)	Q_{rr}	—	107	—	nC	$di/dt = 100A/\mu s,$

- Notes: 9. Measured under pulsed conditions. Pulse width $\leq 300\mu s$; duty cycle $\leq 2\%$.
 10. Switching characteristics are independent of operating junction temperature.
 11. For design aid only, not subject to production testing.

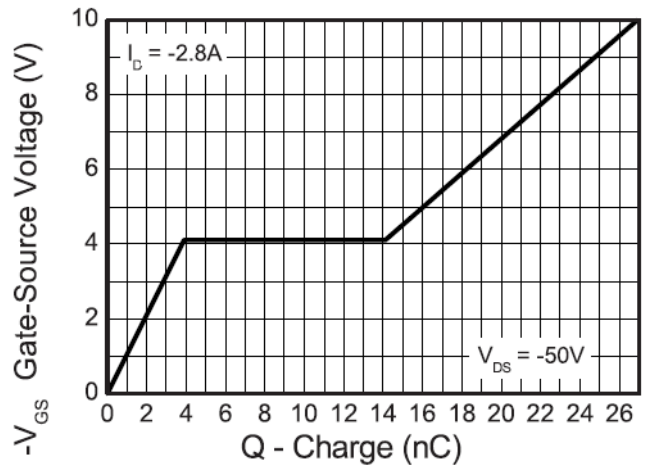
Typical characteristics



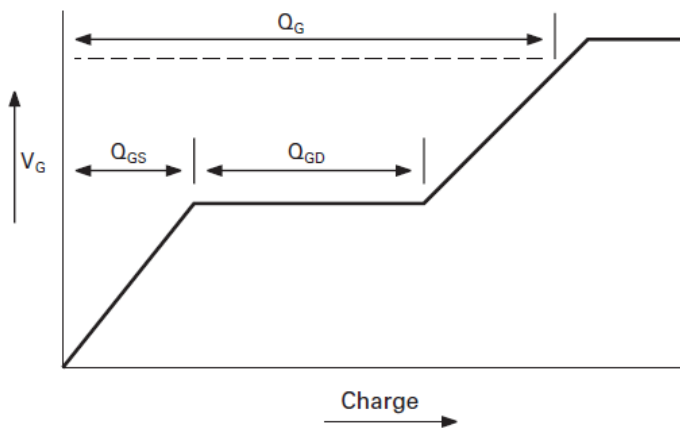
Typical characteristics



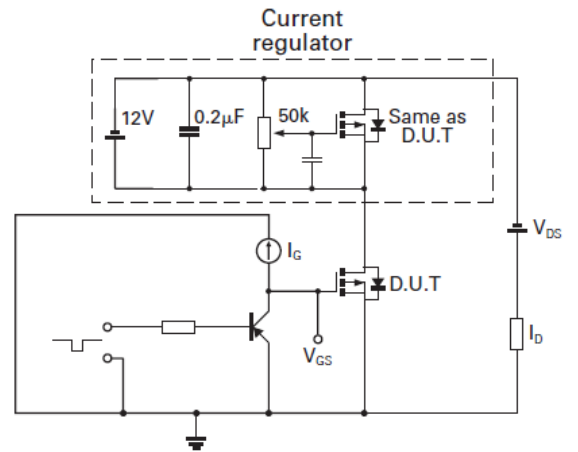
Capacitance v Drain-Source Voltage



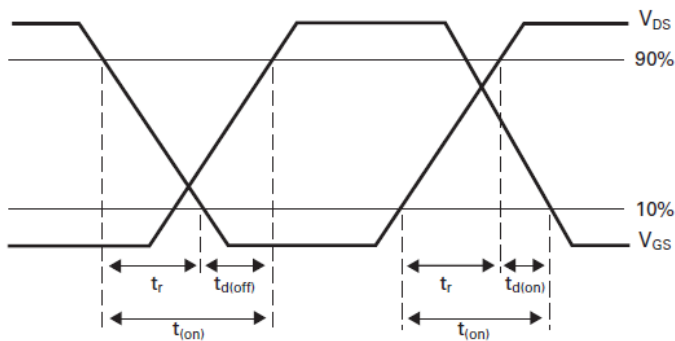
Gate-Source Voltage v Gate Charge



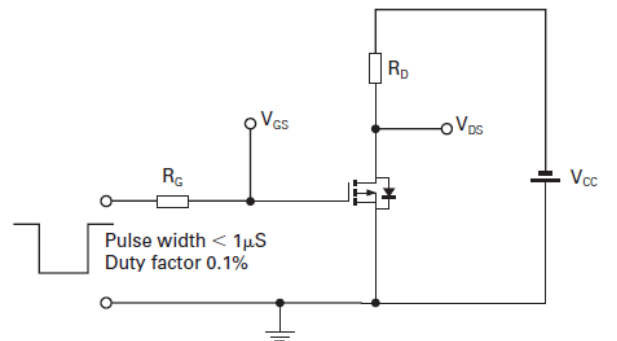
Basic gate charge waveform



Gate charge test circuit



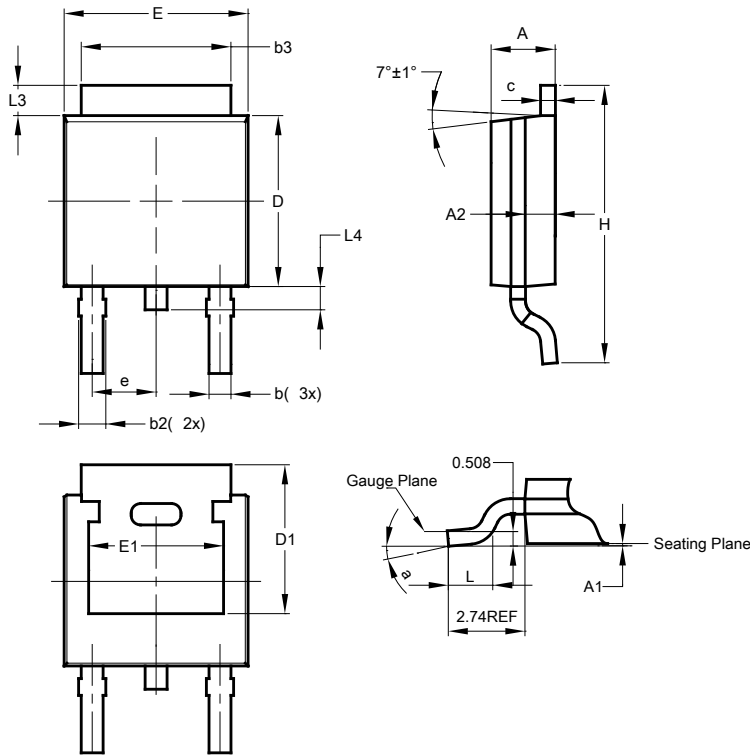
Switching time waveforms



Switching time test circuit

Package Outline Dimensions

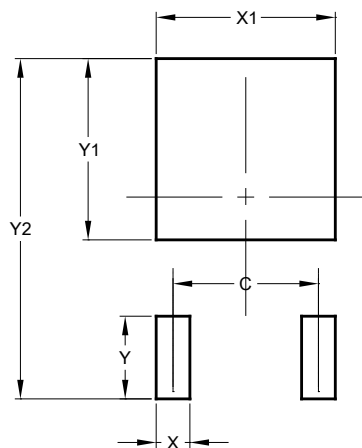
Please see AP02002 at <http://www.diodes.com/datasheets/ap02002.pdf> for latest version.



TO252 (DPAK)			
Dim	Min	Max	Typ
A	2.19	2.39	2.29
A1	0.00	0.13	0.08
A2	0.97	1.17	1.07
b	0.64	0.88	0.783
b2	0.76	1.14	0.95
b3	5.21	5.46	5.33
c	0.45	0.58	0.531
D	6.00	6.20	6.10
D1	5.21	-	-
e	-	-	2.286
E	6.45	6.70	6.58
E1	4.32	-	-
H	9.40	10.41	9.91
L	1.40	1.78	1.59
L3	0.88	1.27	1.08
L4	0.64	1.02	0.83
a	0°	10°	-
All Dimensions in mm			

Suggested Pad Layout

Please see AP02001 at <http://www.diodes.com/datasheets/ap02001.pdf> for the latest version.



Dimensions	Value (in mm)
C	4.572
X	1.060
X1	5.632
Y	2.600
Y1	5.700
Y2	10.700

IMPORTANT NOTICE

DIODES INCORPORATED MAKES NO WARRANTY OF ANY KIND, EXPRESS OR IMPLIED, WITH REGARDS TO THIS DOCUMENT, INCLUDING, BUT NOT LIMITED TO, THE IMPLIED WARRANTIES OF MERCHANTABILITY AND FITNESS FOR A PARTICULAR PURPOSE (AND THEIR EQUIVALENTS UNDER THE LAWS OF ANY JURISDICTION).

Diodes Incorporated and its subsidiaries reserve the right to make modifications, enhancements, improvements, corrections or other changes without further notice to this document and any product described herein. Diodes Incorporated does not assume any liability arising out of the application or use of this document or any product described herein; neither does Diodes Incorporated convey any license under its patent or trademark rights, nor the rights of others. Any Customer or user of this document or products described herein in such applications shall assume all risks of such use and will agree to hold Diodes Incorporated and all the companies whose products are represented on Diodes Incorporated website, harmless against all damages.

Diodes Incorporated does not warrant or accept any liability whatsoever in respect of any products purchased through unauthorized sales channel. Should Customers purchase or use Diodes Incorporated products for any unintended or unauthorized application, Customers shall indemnify and hold Diodes Incorporated and its representatives harmless against all claims, damages, expenses, and attorney fees arising out of, directly or indirectly, any claim of personal injury or death associated with such unintended or unauthorized application.

Products described herein may be covered by one or more United States, international or foreign patents pending. Product names and markings noted herein may also be covered by one or more United States, international or foreign trademarks.

This document is written in English but may be translated into multiple languages for reference. Only the English version of this document is the final and determinative format released by Diodes Incorporated.

LIFE SUPPORT

Diodes Incorporated products are specifically not authorized for use as critical components in life support devices or systems without the express written approval of the Chief Executive Officer of Diodes Incorporated. As used herein:

A. Life support devices or systems are devices or systems which:

1. are intended to implant into the body, or
2. support or sustain life and whose failure to perform when properly used in accordance with instructions for use provided in the labeling can be reasonably expected to result in significant injury to the user.

B. A critical component is any component in a life support device or system whose failure to perform can be reasonably expected to cause the failure of the life support device or to affect its safety or effectiveness.

Customers represent that they have all necessary expertise in the safety and regulatory ramifications of their life support devices or systems, and acknowledge and agree that they are solely responsible for all legal, regulatory and safety-related requirements concerning their products and any use of Diodes Incorporated products in such safety-critical, life support devices or systems, notwithstanding any devices- or systems-related information or support that may be provided by Diodes Incorporated. Further, Customers must fully indemnify Diodes Incorporated and its representatives against any damages arising out of the use of Diodes Incorporated products in such safety-critical, life support devices or systems.

Copyright © 2014, Diodes Incorporated

www.diodes.com