

20V N-CHANNEL ENHANCEMENT MODE MOSFET

Product Summary

| $V_{(BR)DSS}$ | $R_{DS(on)}$ | I_D $T_A = 25^\circ C$ |
|---------------|------------------------|-----------------------------|
| 20V | 21mΩ @ $V_{GS} = 10V$ | 17.0A |
| | 27mΩ @ $V_{GS} = 4.5V$ | 15.0A |
| | 40mΩ @ $V_{GS} = 2.5V$ | 12.3A |

Description and Applications

This new generation MOSFET has been designed to minimize the on-state resistance ($R_{DS(on)}$) and yet maintain superior switching performance, making it ideal for high efficiency power management applications.

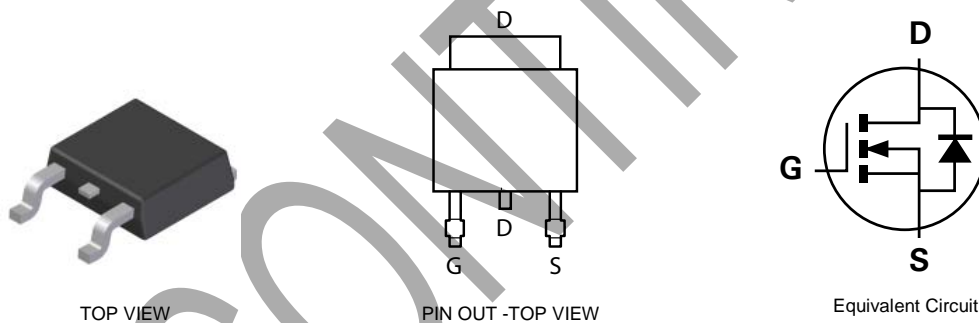
- Backlighting
- DC-DC Converters
- Power management functions

Features and Benefits

- Low on-resistance
- Fast switching speed
- Low gate drive
- "Green" component and RoHS compliant (Note 1)

Mechanical Data

- Case: TO252-3L
- Case Material: Molded Plastic, "Green" Molding Compound. UL Flammability Classification Rating 94V-0 (Note 1)
- Moisture Sensitivity: Level 1 per J-STD-020D
- Terminals Connections: See Diagram
- Terminals: Matte Tin Finish annealed over Copper leadframe. Solderable per MIL-STD-202, Method 208
- Marking Information: See Below
- Ordering Information: See Below
- Weight: 0.33 grams (approximate)

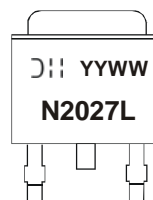


Ordering Information (Note 1)

| Product | Marking | Reel size (inches) | Tape width (mm) | Quantity per reel |
|---------------|---------|--------------------|-----------------|-------------------|
| DMN2027LK3-13 | N2027L | 13 | 16 | 2,500 |

Note: 1. Diodes, Inc. defines "Green" products as those which are Eu RoHS compliant and contain no halogens or antimony compounds; further information about Diodes Inc.'s "Green" Policy can be found on our website. For packaging details, go to our website.

Marking Information



$\text{D} \text{||} \text{||}$ = Manufacturer's Marking
 N2027L = Product Type Marking Code
 YYWW = Date Code Marking
 YY = Year (ex: 09 = 2009)
 WW = Week (01-52)

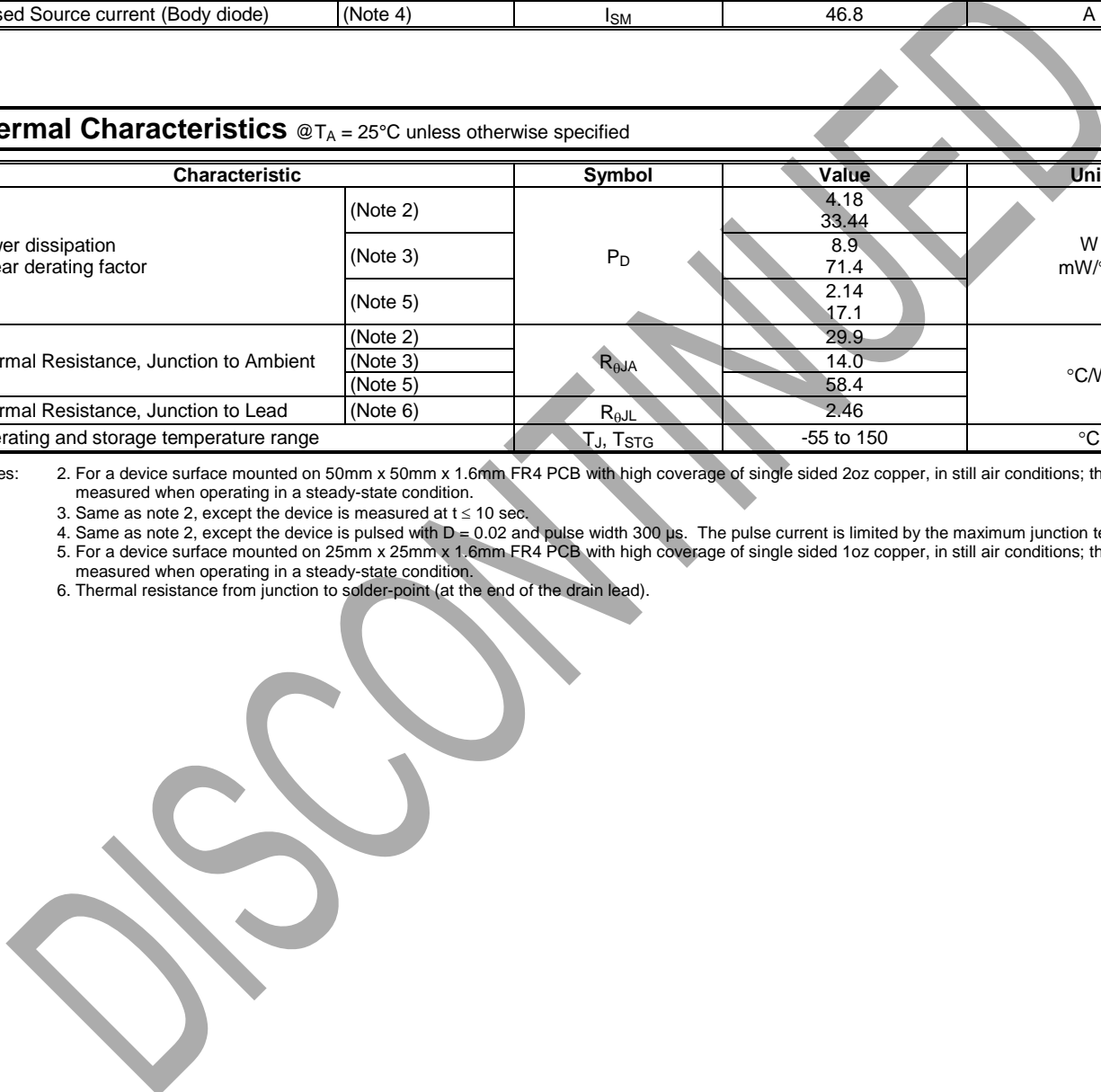
Maximum Ratings @T_A = 25°C unless otherwise specified

| Characteristic | | | Symbol | Value | Unit | |
|--|-----------------------|--------------------------------|------------------|-----------------|------|---|
| Drain-Source voltage | | | V _{DSS} | 20 | V | |
| Gate-Source voltage | | | V _{GS} | ±12 | V | |
| Continuous Drain current | V _{GS} = 10V | (Note 3) | I _D | 17.0 | A | |
| | | T _A = 70°C (Note 3) | | 13.6 | | |
| | | (Note 2) | | 11.6 | | |
| Pulsed Drain current | V _{GS} = 10V | (Note 4) | I _{DM} | 46.8 | A | |
| Continuous Source current (Body diode) | | | (Note 3) | I _S | 11.9 | A |
| Pulsed Source current (Body diode) | | | (Note 4) | I _{SM} | 46.8 | A |

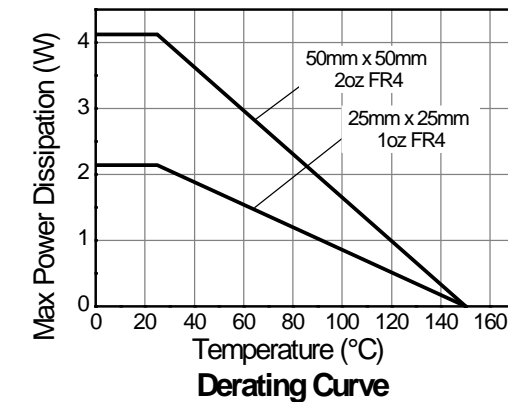
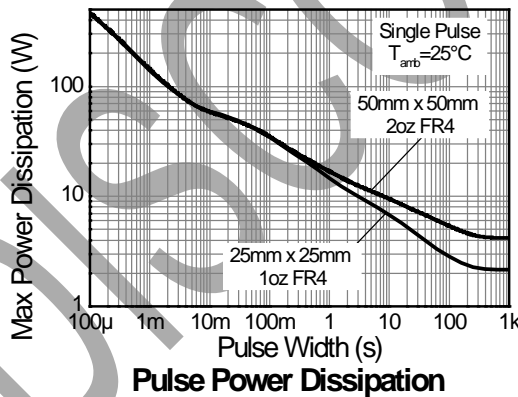
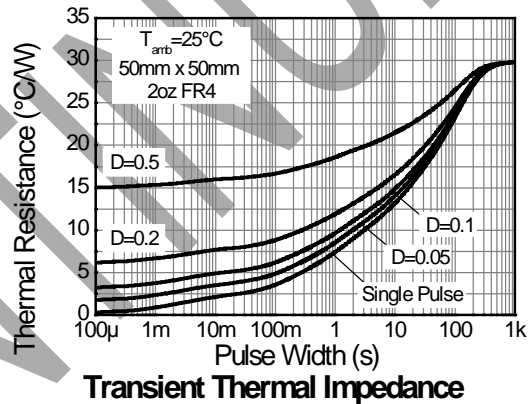
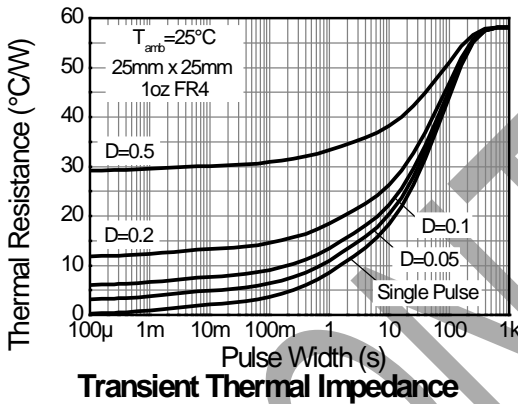
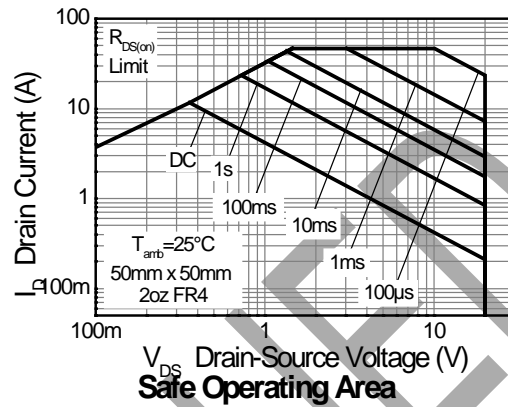
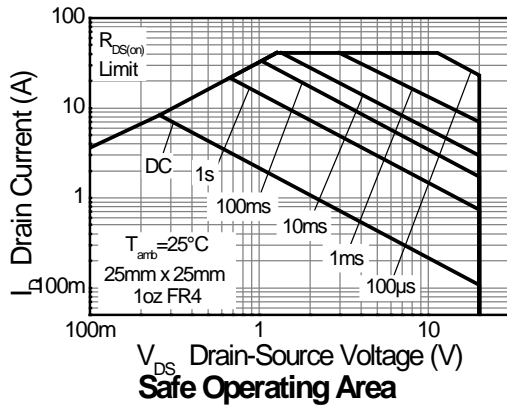
Thermal Characteristics @T_A = 25°C unless otherwise specified

| Characteristic | | Symbol | Value | Unit |
|---|----------|-----------------------------------|------------|------------|
| Power dissipation Linear derating factor | (Note 2) | P _D | 4.18 | W mW/°C |
| | | | 33.44 | |
| | (Note 3) | | 8.9 | |
| | | | 71.4 | |
| Thermal Resistance, Junction to Ambient | (Note 5) | R _{θJA} | 2.14 | °C/W |
| | (Note 2) | | 17.1 | |
| | (Note 3) | | 29.9 | |
| Thermal Resistance, Junction to Lead | (Note 5) | R _{θJL} | 14.0 | °C/W |
| | (Note 6) | | 58.4 | |
| Operating and storage temperature range | | T _J , T _{STG} | -55 to 150 | °C |

- Notes:
2. For a device surface mounted on 50mm x 50mm x 1.6mm FR4 PCB with high coverage of single sided 2oz copper, in still air conditions; the device is measured when operating in a steady-state condition.
 3. Same as note 2, except the device is measured at t ≤ 10 sec.
 4. Same as note 2, except the device is pulsed with D = 0.02 and pulse width 300 μs. The pulse current is limited by the maximum junction temperature.
 5. For a device surface mounted on 25mm x 25mm x 1.6mm FR4 PCB with high coverage of single sided 1oz copper, in still air conditions; the device is measured when operating in a steady-state condition.
 6. Thermal resistance from junction to solder-point (at the end of the drain lead).



Thermal Characteristics



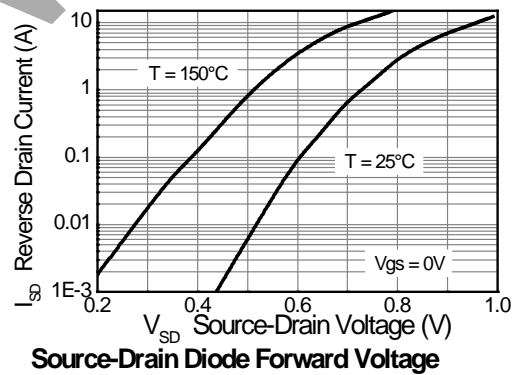
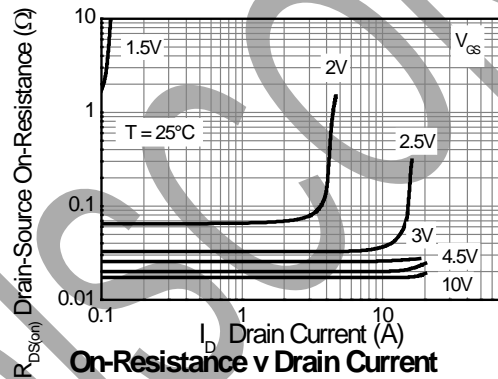
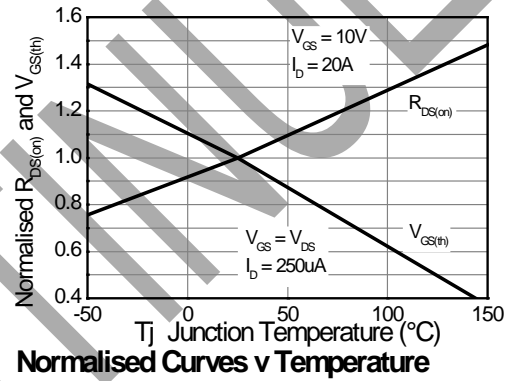
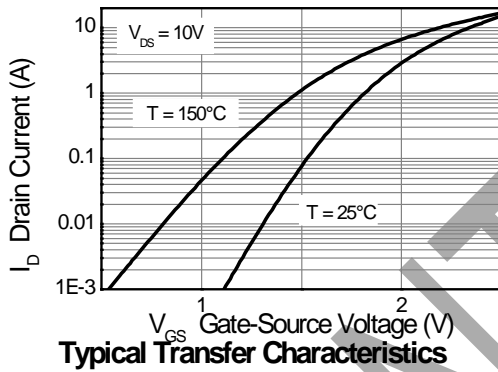
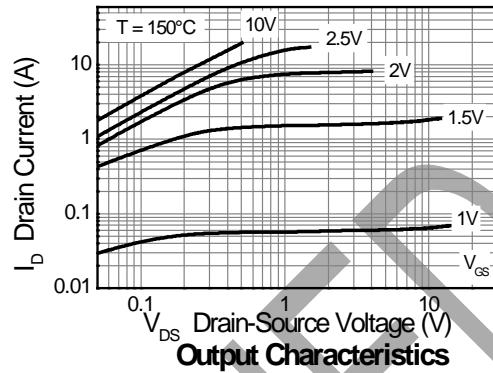
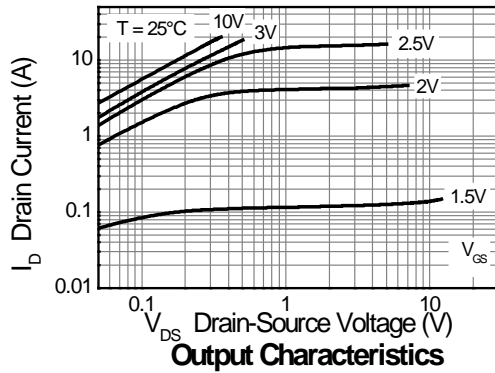
Electrical Characteristics @T_A = 25°C unless otherwise specified

| Characteristic | Symbol | Min | Typ | Max | Unit | Test Condition |
|--|---------------------|-----|------|-------|------|---|
| OFF CHARACTERISTICS | | | | | | |
| Drain-Source Breakdown Voltage | BV _{DSS} | 20 | — | — | V | I _D = 250μA, V _{GS} = 0V |
| Zero Gate Voltage Drain Current | I _{DSS} | — | — | 0.5 | μA | V _{DS} = 20V, V _{GS} = 0V |
| Gate-Source Leakage | I _{GSS} | — | — | ±100 | nA | V _{GS} = ±12V, V _{DS} = 0V |
| ON CHARACTERISTICS | | | | | | |
| Gate Threshold Voltage | V _{GS(th)} | 0.6 | — | 2.0 | V | I _D = 250μA, V _{DS} = V _{GS} |
| Static Drain-Source On-Resistance (Note 7) | R _{DS(on)} | — | — | 0.021 | • | V _{GS} = 10V, I _D = 20A |
| | | | | 0.027 | | V _{GS} = 4.5V, I _D = 10A |
| | | | | 0.040 | | V _{GS} = 2.5V, I _D = 4A |
| Forward Transconductance (Notes 7 & 8) | g _{fs} | — | 31.7 | — | S | V _{DS} = 15V, I _D = 10A |
| Diode Forward Voltage (Note 7) | V _{SD} | — | 0.89 | 1.0 | V | I _S = 10A, V _{GS} = 0V |
| Reverse recovery time (Note 8) | t _{rr} | — | 121 | — | ns | I _S = 10A, di/dt = 100A/μs |
| Reverse recovery charge (Note 8) | Q _{rr} | — | 583 | — | nC | |
| DYNAMIC CHARACTERISTICS (Note 8) | | | | | | |
| Input Capacitance | C _{iss} | — | 857 | — | pF | V _{DS} = 10V, V _{GS} = 0V f = 1MHz |
| Output Capacitance | C _{oss} | — | 177 | — | pF | |
| Reverse Transfer Capacitance | C _{rss} | — | 102 | — | pF | |
| Total Gate Charge | Q _g | — | 5.2 | — | nC | V _{GS} = 2.5V, I _D = 4A |
| Total Gate Charge | Q _g | — | 9.1 | — | nC | V _{GS} = 4.5V I _D = 10A |
| Gate-Source Charge | Q _{gs} | — | 1.9 | — | nC | |
| Gate-Drain Charge | Q _{gd} | — | 3.2 | — | nC | |
| Turn-On Delay Time (Note 9) | t _{D(on)} | — | 5.4 | — | ns | V _{DD} = 10V, V _{GS} = 10V I _D = 10A, R _G ≅ 6.0Ω |
| Turn-On Rise Time (Note 9) | t _r | — | 22.3 | — | ns | |
| Turn-Off Delay Time (Note 9) | t _{D(off)} | — | 18.7 | — | ns | |
| Turn-Off Fall Time (Note 9) | t _f | — | 12.6 | — | ns | |

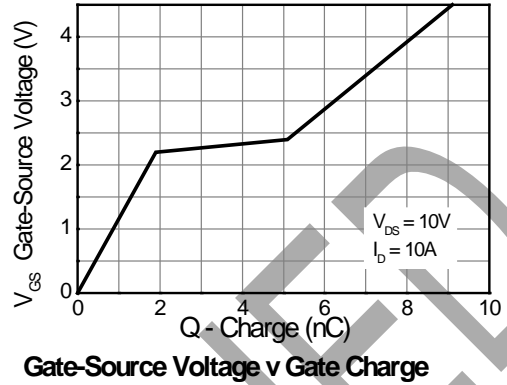
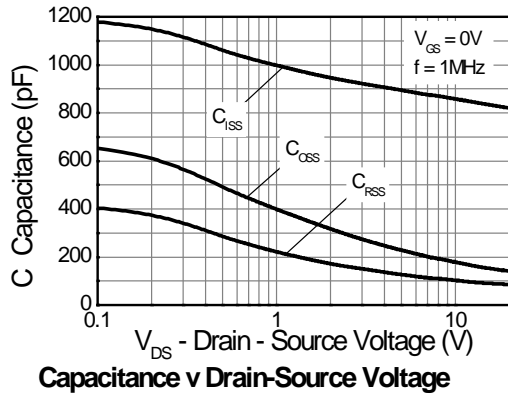
- Notes:
7. Measured under pulsed conditions. Pulse width ≤ 300μs; duty cycle ≤ 2%
 8. For design aid only, not subject to production testing.
 9. Switching characteristics are independent of operating junction temperatures.

DISCONTINUED

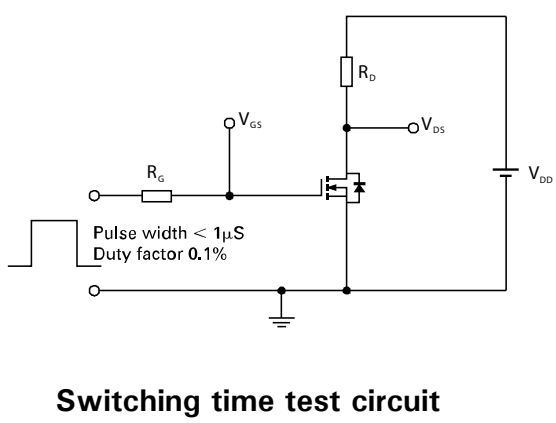
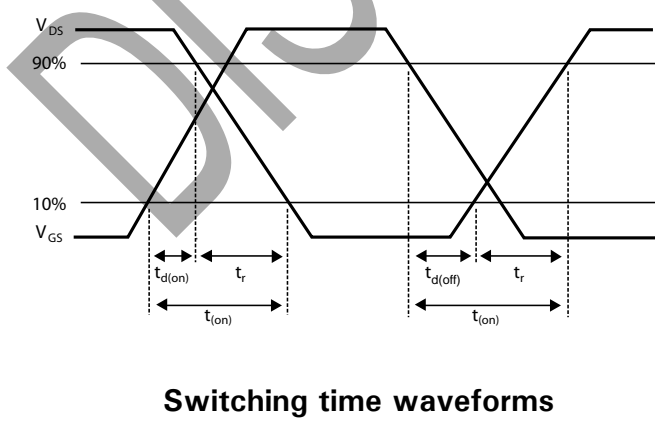
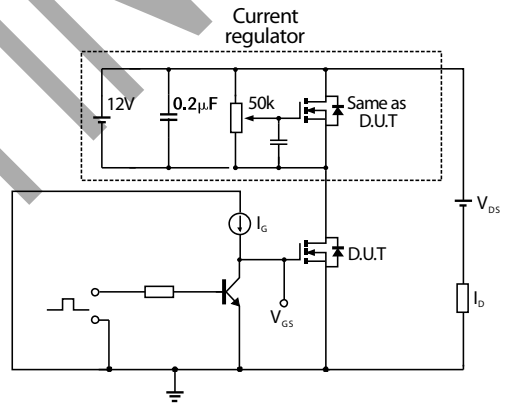
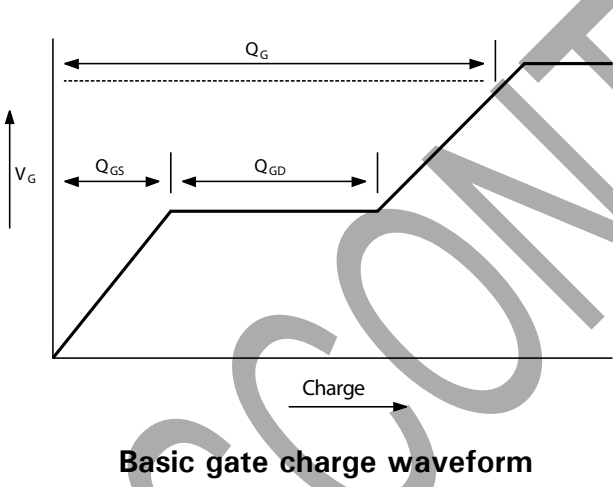
Typical Characteristics



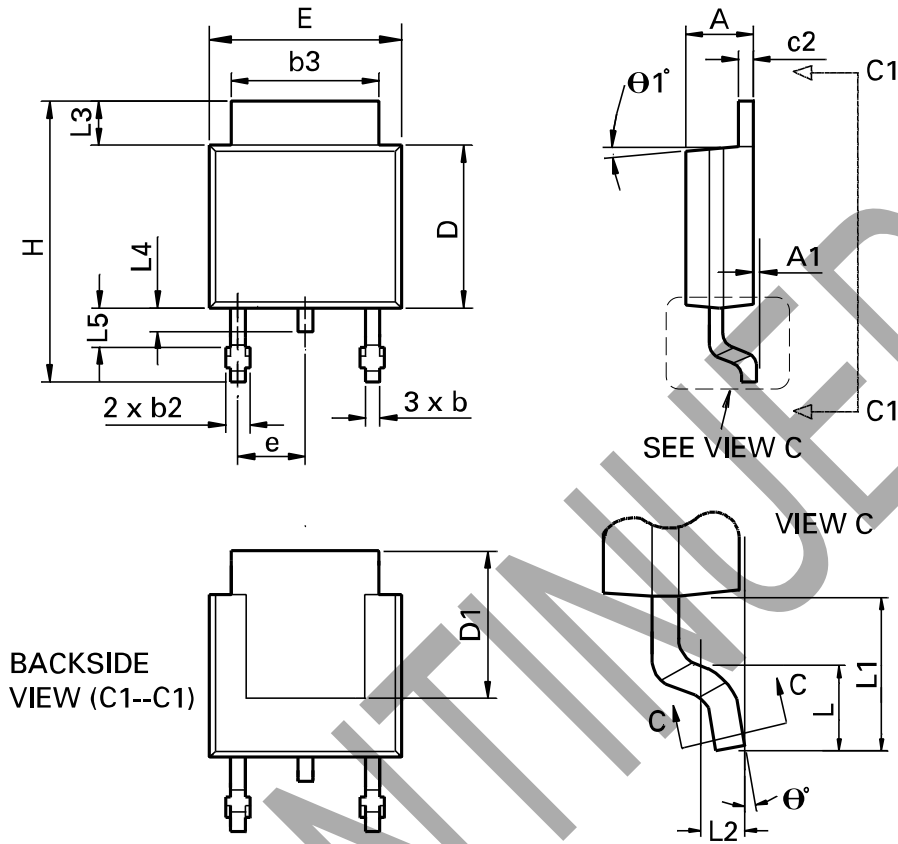
Typical Characteristics - continued



Test Circuits

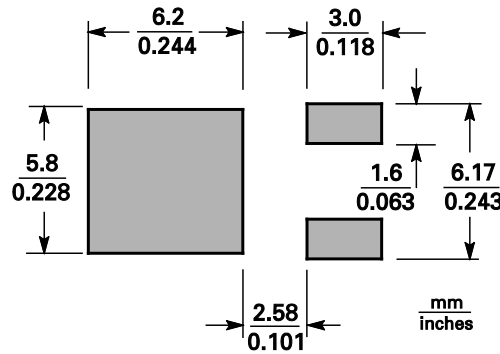


Package Outline Dimensions



| DIM | Inches | | Millimeters | | DIM | Inches | | Millimeters | |
|-----|--------|-------|-------------|-------|-------------------|-----------|-------|-------------|-------|
| | Min | Max | Min | Max | | Min | Max | Min | Max |
| A | 0.086 | 0.094 | 2.18 | 2.39 | e | 0.090 BSC | | 2.29 BSC | |
| A1 | - | 0.005 | - | 0.127 | H | 0.370 | 0.410 | 9.40 | 10.41 |
| b | 0.020 | 0.035 | 0.508 | 0.89 | L | 0.055 | 0.070 | 1.40 | 1.78 |
| b2 | 0.030 | 0.045 | 0.762 | 1.14 | L1 | 0.108 REF | | 2.74 REF | |
| b3 | 0.205 | 0.215 | 5.21 | 5.46 | L2 | 0.020 BSC | | 0.508 BSC | |
| c | 0.018 | 0.024 | 0.457 | 0.61 | L3 | 0.035 | 0.065 | 0.89 | 1.65 |
| c2 | 0.018 | 0.023 | 0.457 | 0.584 | L4 | 0.025 | 0.040 | 0.635 | 1.016 |
| D | 0.213 | 0.245 | 5.41 | 6.22 | L5 | 0.045 | 0.060 | 1.14 | 1.52 |
| D1 | 0.205 | - | 5.21 | - | $\bullet 1^\circ$ | 0° | 10° | 0° | 10° |
| E | 0.250 | 0.265 | 6.35 | 6.73 | \bullet° | 0° | 15° | 0° | 15° |
| E1 | 0.170 | - | 4.32 | - | - | - | - | - | - |

Suggested Pad Layout



IMPORTANT NOTICE

DIODES INCORPORATED MAKES NO WARRANTY OF ANY KIND, EXPRESS OR IMPLIED, WITH REGARDS TO THIS DOCUMENT, INCLUDING, BUT NOT LIMITED TO, THE IMPLIED WARRANTIES OF MERCHANTABILITY AND FITNESS FOR A PARTICULAR PURPOSE (AND THEIR EQUIVALENTS UNDER THE LAWS OF ANY JURISDICTION).

Diodes Incorporated and its subsidiaries reserve the right to make modifications, enhancements, improvements, corrections or other changes without further notice to this document and any product described herein. Diodes Incorporated does not assume any liability arising out of the application or use of this document or any product described herein; neither does Diodes Incorporated convey any license under its patent or trademark rights, nor the rights of others. Any Customer or user of this document or products described herein in such applications shall assume all risks of such use and will agree to hold Diodes Incorporated and all the companies whose products are represented on Diodes Incorporated website, harmless against all damages.

Diodes Incorporated does not warrant or accept any liability whatsoever in respect of any products purchased through unauthorized sales channel. Should Customers purchase or use Diodes Incorporated products for any unintended or unauthorized application, Customers shall indemnify and hold Diodes Incorporated and its representatives harmless against all claims, damages, expenses, and attorney fees arising out of, directly or indirectly, any claim of personal injury or death associated with such unintended or unauthorized application.

Products described herein may be covered by one or more United States, international or foreign patents pending. Product names and markings noted herein may also be covered by one or more United States, international or foreign trademarks.

LIFE SUPPORT

Diodes Incorporated products are specifically not authorized for use as critical components in life support devices or systems without the express written approval of the Chief Executive Officer of Diodes Incorporated. As used herein:

- A. Life support devices or systems are devices or systems which:
1. are intended to implant into the body, or
 2. support or sustain life and whose failure to perform when properly used in accordance with instructions for use provided in the labeling can be reasonably expected to result in significant injury to the user.
- B. A critical component is any component in a life support device or system whose failure to perform can be reasonably expected to cause the failure of the life support device or to affect its safety or effectiveness.

Customers represent that they have all necessary expertise in the safety and regulatory ramifications of their life support devices or systems, and acknowledge and agree that they are solely responsible for all legal, regulatory and safety-related requirements concerning their products and any use of Diodes Incorporated products in such safety-critical, life support devices or systems, notwithstanding any devices- or systems-related information or support that may be provided by Diodes Incorporated. Further, Customers must fully indemnify Diodes Incorporated and its representatives against any damages arising out of the use of Diodes Incorporated products in such safety-critical, life support devices or systems.

Copyright © 2013, Diodes Incorporated

www.diodes.com