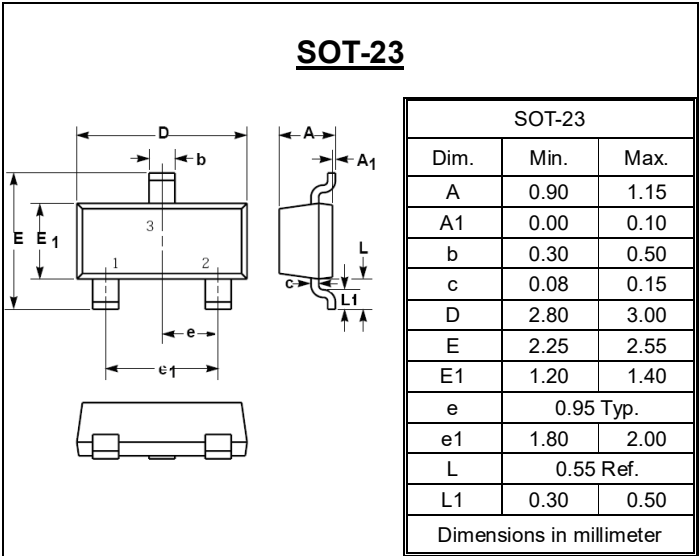


BAS21, BAS21C/S

**SURFACE MOUNT
FAST SWITCHING DIODE**

**REVERSE VOLTAGE – 250 Volts
FORWARD CURRENT – 0.2 Ampere**

- FEATURES**
- Fast Switching Speed
 - Ideally suited for automatic insertion
 - For general purpose switching applications
- MECHANICAL DATA**
- Case: SOT-23 Plastic
 - Case Material: “Green” molding compound, UL flammability classification 94V-0, (No Br. Sb. Cl)
 - Moisture Sensitivity: Level 1 per J-STD-020D
 - Lead Free in RoHS 2002/95/EC Compliant



Maximum Ratings & Thermal Characteristics @ T_A = 25°C unless otherwise specified

Characteristic	Symbol	BAS21	BAS21C	BAS21S	Units
Repetitive Peak Reverse Voltage	V _{RRM}	250			V
Working Peak Reverse Voltage	V _{RWM}	250			V
DC Blocking Voltage	V _R	250			V
Peak Forward Current	I _F	225			mA
Average Rectified Output Current	I _o	200			mA
Peak Forward Surge Current	I _{FM}	625			mA
Power Dissipation	P _D	225			mW
Thermal Resistance Junction to Ambient	R _{θJA}	417			°C/W
Operating Temperature Range	T _J	150			°C
Storage Temperature Range	T _{STG}	-55~+150			°C

Electrical Characteristics @ T_A = 25°C unless otherwise specified

Characteristic	Test Condition	Symbol	BAS21	BAS21C	BAS21S	Unit
Reverse Breakdown Voltage	I _R = 100uA	V _{BR}	250			V
Maximum Forward Voltage	I _F = 100mA I _F = 200mA	V _F	1 1.25			V
Maximum DC Reverse Current at Rated DC Blocking Voltage	V _R = 200V V _R = 200V, T _J = 150°C	I _R	0.1 100			uA
Typical Diode Capacitance	V _R = 0V, f = 1MHz	C _D	5			pF
Reverse Recovery time	I _{rr} = 3mA, I _F = I _R = 30mA, R _L = 100Ω	t _{rr}	50			nS

REV. 3, Jul-2019, KSYR26

RATING AND CHARACTERISTIC CURVES BAS21, BAS21C/S



Fig.1 Typical Forward Characteristics

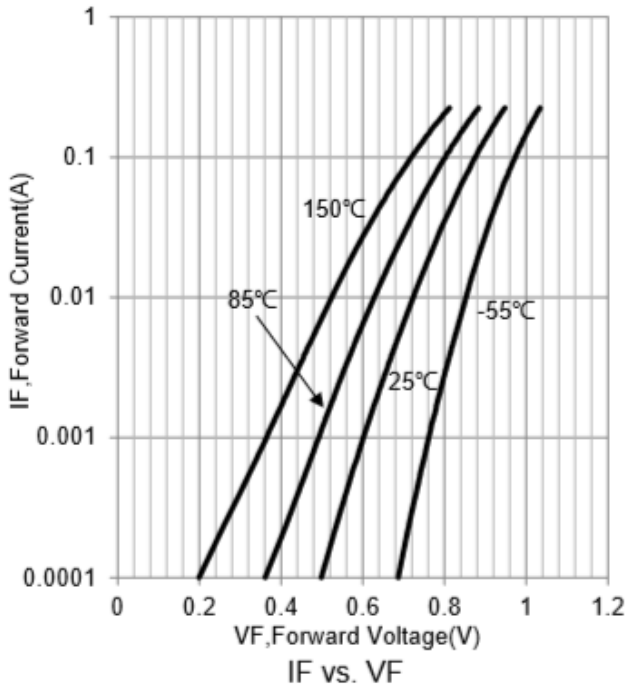


Fig.2 Typical Reverse Characteristics

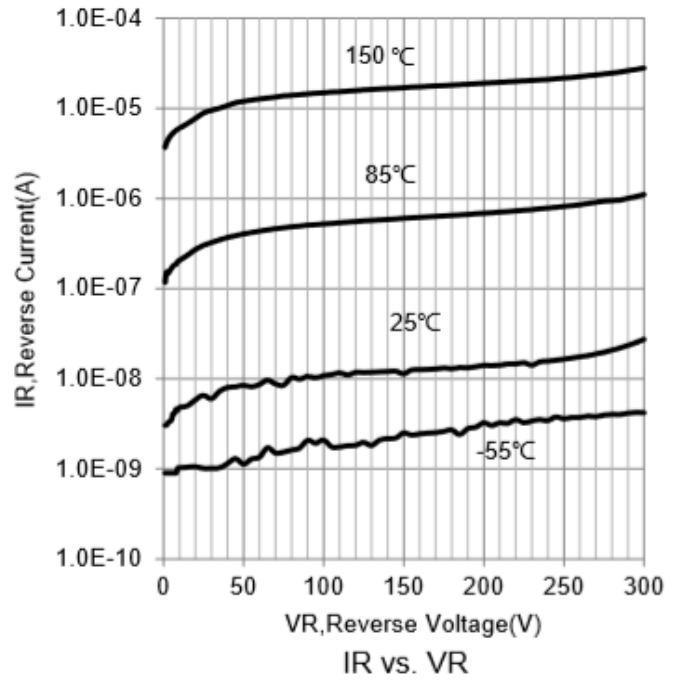
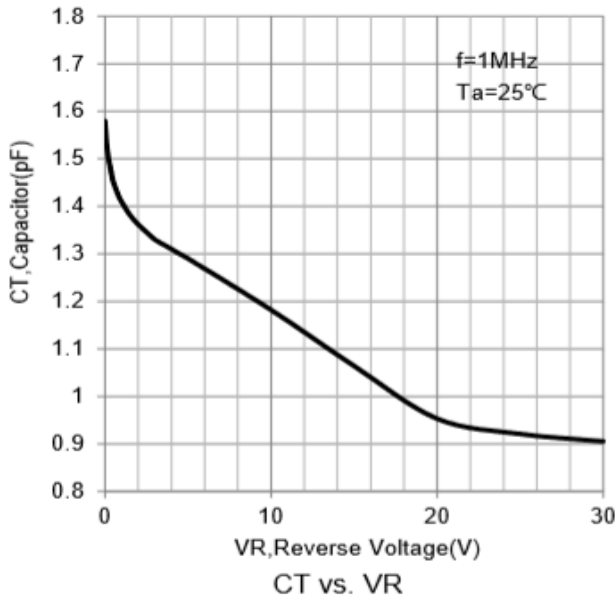


Fig.3 Typical Junction Characteristics



Device Marking :

Device P/N	Marking	Equivalent Circuit Diagram
BAS21	JS	
BAS21C	JU	
BAS21S	JT	

Important Notice and Disclaimer

LSC reserves the right to make changes to this document and its products and specifications at any time without notice. Customers should obtain and confirm the latest product information and specifications before final design, purchase or use.

LSC makes no warranty, representation or guarantee regarding the suitability of its products for any particular purpose, nor does LSC assume any liability for application assistance or customer product design. LSC does not warrant or accept any liability with products which are purchased or used for any unintended or unauthorized application.

No license is granted by implication or otherwise under any intellectual property rights of LSC.

LSC products are not authorized for use as critical components in life support devices or systems without express written approval of LSC.