

OBSOLETE - PART DISCONTINUED

Description

The AZ78LXX series are three terminal positive regulators with several fixed output voltages. These regulators can provide local on card regulation, eliminating the distribution problems associated with single point regulation. The AZ78LXX can be used in logic systems, instrumentation, HiFi, and other solid state electronic equipment. When used as a Zener diode/resistor combination replacement, the AZ78LXX usually results in an effective output impedance improvement of two orders of magnitude, and lower quiescent current.

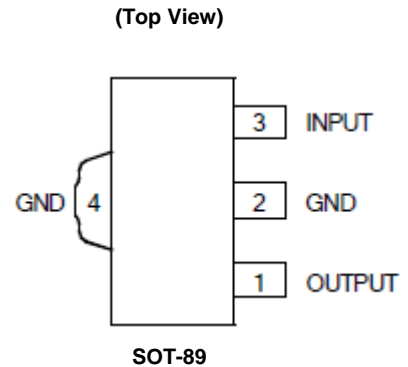
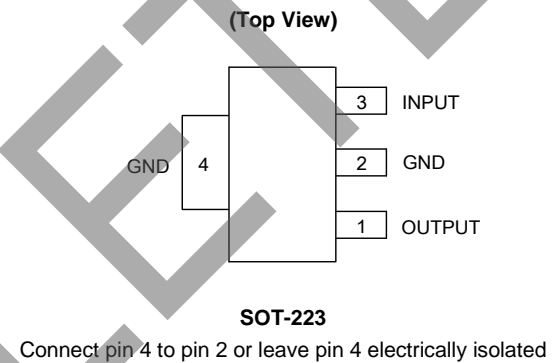
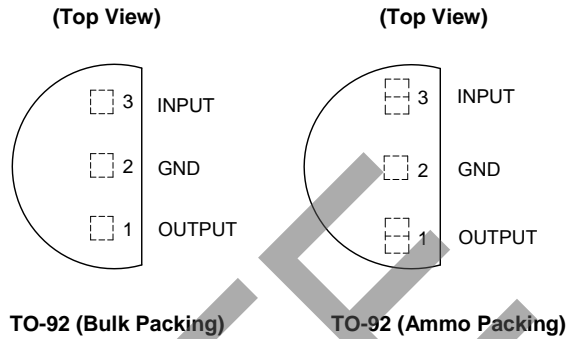
With adequate heat sinking, the AZ78LXX can deliver 100mA output current. Current limiting is included to limit the peak output current to a safe value. Thermal protection is also provided. If internal power dissipation becomes too high for the heat sinking provided, the thermal shutdown circuit takes over, preventing the IC from overheating.

The AZ78LXX are available in the plastic TO-92 (bulk or ammo packing), SOT-223 and SOT-89 packages.

Features

- Output Current up to 100mA
- Fixed Output Voltages of 5V and 9V
- Output Voltage Tolerances of $\pm 5\%$ over the Full Temperature Range
- Internal Short Circuit Current-limiting
- Internal Thermal Overload Protection
- No External Components
- **For automotive applications requiring specific change control (i.e. parts qualified to AEC-Q100/101/200, PPAP capable, and manufactured in IATF 16949 certified facilities), please [contact us](#) or your local Diodes representative. <https://www.diodes.com/quality/product-definitions/>**

Pin Assignments

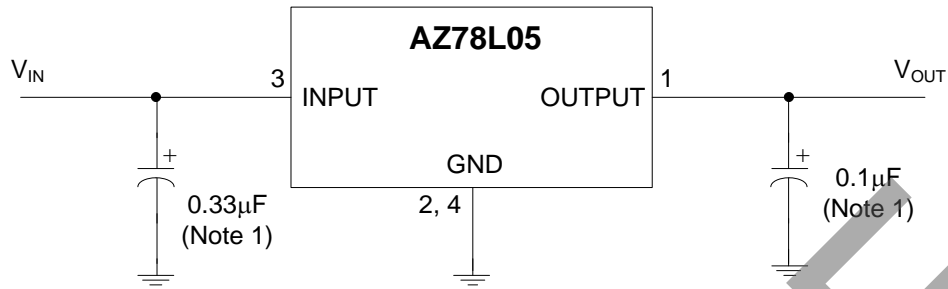


Applications

- High Efficiency Linear Regulator
- Post Regulation for Switching Supply
- Microprocessor Power Supply
- Mother Board I/O Power Supply

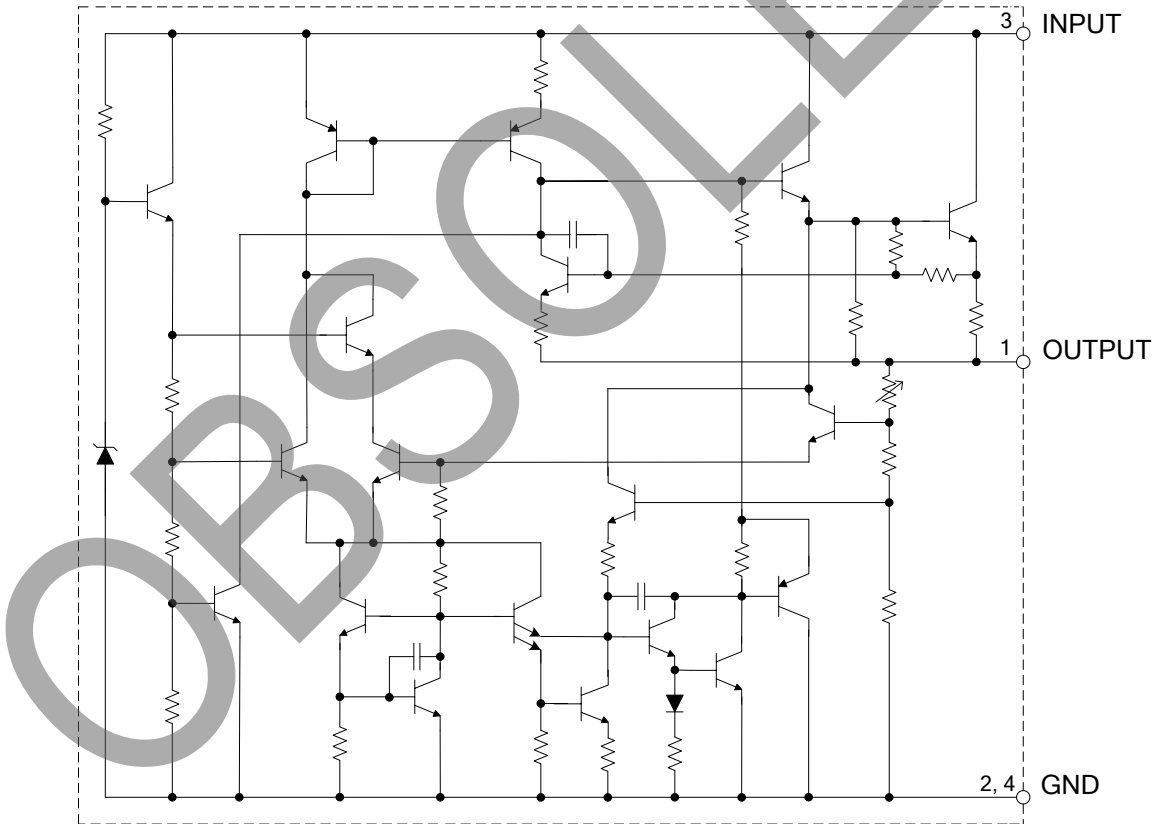
OBSOLETE - PART DISCONTINUED

Typical Applications Circuit



Note 1: Bypass capacitors are recommended for optimum stability and stability and transient response and should be located as close as possible to the regulator.

Functional Block Diagram



Absolute Maximum Ratings (Note 2)

Symbol	Parameter	Rating		Unit
V _{IN}	Input Voltage	20		V
T _J	Operating Junction Temperature	+150		°C
T _{LEAD}	Lead Temperature (Soldering, 10sec)	+260		°C
P _D	Power Dissipation (T _A = +25°C)	TO-92	0.65	W
		SOT-223	0.7	
		SOT-89	0.65	
T _{STG}	Storage Temperature Range	-65 to +150		°C
ESD	ESD (Human Body Model)	2000		V
ESD	ESD (Machine Model)	200		V

Note 2: Stresses greater than those listed under "Absolute Maximum Ratings" may cause permanent damage to the device. These are stress ratings only, and functional operation of the device at these or any other conditions beyond those indicated under "Recommended Operating Conditions" is not implied. Exposure to "Absolute Maximum Ratings" for extended periods may affect device reliability.

Recommended Operating Conditions

Symbol	Parameter	Min	Max	Unit	
V _{IN}	Input Voltage	AZ78L05	—	15	V
		AZ78L09	—	18	
T _J	Operating Junction Temperature	-40	+125	°C	

Electrical Characteristics
AZ78L05 Electrical Characteristics (Limits in standard typeface are for $T_J = +25^\circ\text{C}$, **Bold typeface applies over -40°C to $+125^\circ\text{C}$** , $I_{OUT} = 40\text{mA}$, $C_{IN} = 0.33\mu\text{F}$, $C_{OUT} = 0.1\mu\text{F}$, $V_{IN} = 10\text{V}$, unless otherwise specified.)

Symbol	Parameter	Conditions	Min	Typ	Max	Unit
V_{OUT}	Output Voltage	—	4.8	5	5.2	V
		$7.0\text{V} \leq V_{IN} \leq 15\text{V}$ $1.0\text{mA} \leq I_{OUT} \leq 40\text{mA}$ (Note 3)	4.75	—	5.25	
V_{RLINE}	Line Regulation	$7.0\text{V} \leq V_{IN} \leq 15\text{V}$	—	18	75	mV
V_{RLOAD}	Load Regulation	$1.0\text{mA} \leq I_{OUT} \leq 100\text{mA}$	—	20	60	mV
V_{DROP}	Dropout Voltage	—	—	1.6	—	V
I_{LIMIT}	Current Limit	$T_J = +25^\circ\text{C}$	—	150	—	mA
I_Q	Quiescent Current	$I_{OUT} = 0$	—	3	5	mA
ΔI_Q	Quiescent Current Change	$8.0\text{V} \leq V_{IN} \leq 15\text{V}$	—	—	1.0	mA
		$1.0\text{mA} \leq I_{OUT} \leq 40\text{mA}$	—	—	0.1	
N_o	Output Noise Voltage	$10\text{Hz} \leq f \leq 100\text{kHz}$ (Note 4)	—	40	—	μV
PSRR	Ripple Rejection	$f = 120\text{Hz}$, $8.0\text{V} \leq V_{IN} \leq 15\text{V}$	47	62	—	dB
I_{PK}	Peak Output Current	—	—	150	—	mA
$\Delta V_{OUT}/\Delta T$	Average Temperature Coefficient of Output Voltage	$I_{OUT} = 5.0\text{mA}$	—	0.65	—	$\text{mV}/^\circ\text{C}$
$V_{IN}(\text{Min})$	Minimum Value of Input Voltage Required to Maintain Line Regulation	—	—	6.7	7	V
θ_{JC}	Thermal Resistance	TO-92	—	81	—	$^\circ\text{C}/\text{W}$
		SOT-89	—	29.8	—	
		SOT-223	—	71	—	

Notes: 3. Power Dissipation $\leq 0.6\text{W}$.
4. Recommended minimum load capacitance of $0.01\mu\text{F}$ to limit high frequency noise.

Electrical Characteristics (continued)

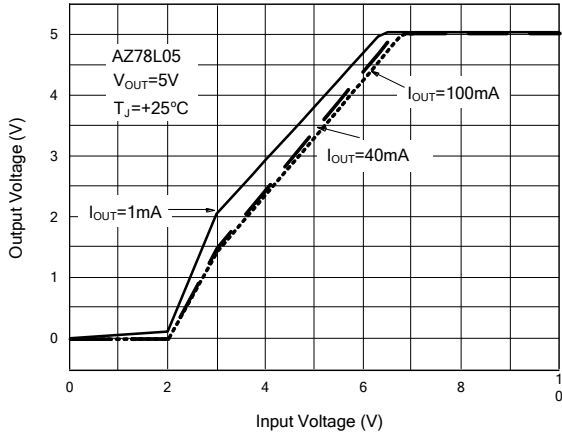
AZ78L09 Electrical Characteristics (Limits in standard typeface are for $T_J = +25^\circ\text{C}$, **Bold typeface applies over -40°C to $+125^\circ\text{C}$** , $I_{OUT} = 40\text{mA}$, $C_{IN} = 0.33\mu\text{F}$, $C_{OUT} = 0.1\mu\text{F}$, $V_{IN} = 15\text{V}$, unless otherwise specified.)

Symbol	Parameter	Conditions	Min	Typ	Max	Unit
V_{OUT}	Output Voltage	—	8.6	9	9.4	V
		$12\text{V} \leq V_{IN} \leq 18\text{V}$ $1.0\text{mA} \leq I_{OUT} \leq 40\text{mA}$ (Note 3)	8.55	—	9.45	
V_{RLINE}	Line Regulation	$12\text{V} \leq V_{IN} \leq 18\text{V}$	—	18	75	mV
V_{RLOAD}	Load Regulation	$1.0\text{mA} \leq I_{OUT} \leq 100\text{mA}$	—	20	90	mV
V_{DROP}	Dropout Voltage	—	—	1.6	—	V
I_{LIMIT}	Current Limit	$T_J = +25^\circ\text{C}$	—	150	—	mA
I_Q	Quiescent Current	$I_{OUT} = 0$	—	3	5	mA
ΔI_Q	Quiescent Current Change	$12\text{V} \leq V_{IN} \leq 18\text{V}$	—	—	1.5	mA
		$1.0\text{mA} \leq I_{OUT} \leq 40\text{mA}$	—	—	0.1	
N_o	Output Noise Voltage	$10\text{Hz} \leq f \leq 100\text{kHz}$ (Note 4)	—	70	—	μV
PSRR	Ripple Rejection	$f = 120\text{Hz}$, $12\text{V} \leq V_{IN} \leq 18\text{V}$	38	44	—	dB
I_{PK}	Peak Output Current	—	—	150	—	mA
$\Delta V_{OUT}/\Delta T$	Average Temperature Coefficient of Output Voltage	$I_{OUT} = 5.0\text{mA}$	—	0.9	—	$\text{mV}/^\circ\text{C}$
$V_{IN}(\text{Min})$	Minimum Value of Input Voltage Required to Maintain Line Regulation	—	—	10.7	—	V
θ_{JC}	Thermal Resistance	TO-92	—	81	—	$^\circ\text{C}/\text{W}$
		SOT-89	—	84	—	
		SOT-223	—	71	—	

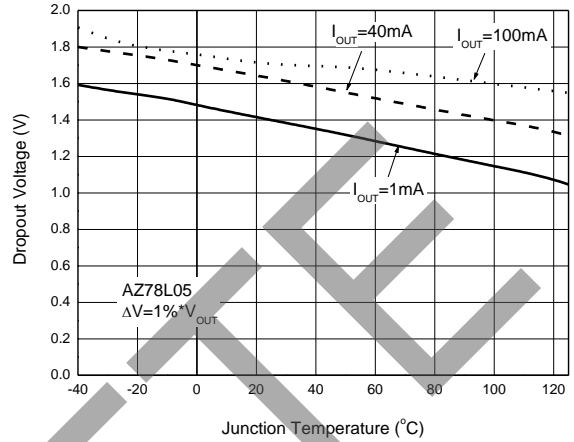
Notes: 3. Power Dissipation $\leq 0.6\text{W}$.
4. Recommended minimum load capacitance of $0.01\mu\text{F}$ to limit high frequency noise.

Performance Characteristics

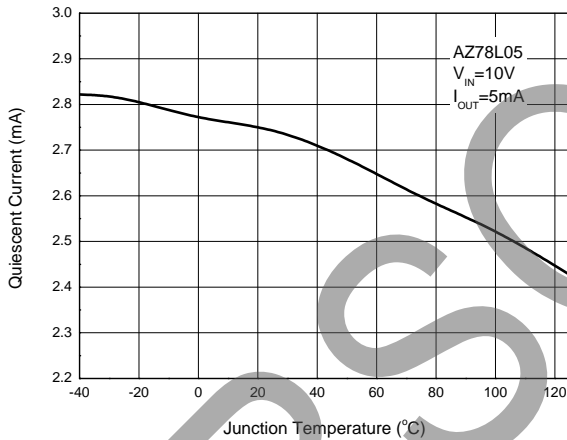
Dropout Characteristics



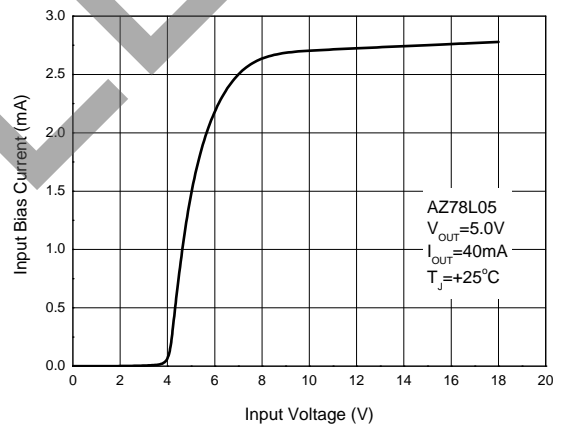
Dropout Voltage vs. Junction Temperature



Quiescent Current vs. Junction Temperature

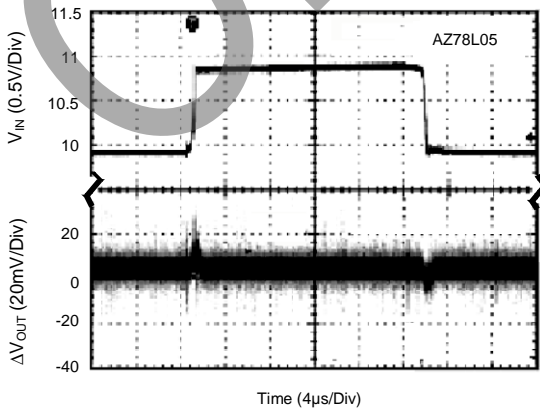


Input Bias Current vs. Input Voltage



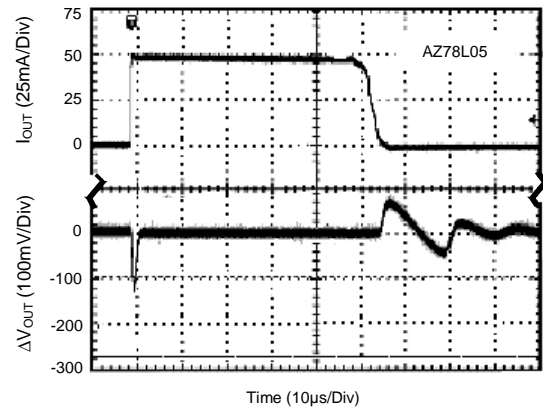
Line Transient Response

(Conditions: $V_{IN}=10$ to $11V$, $V_{OUT}=5V$, $I_{OUT}=40mA$)

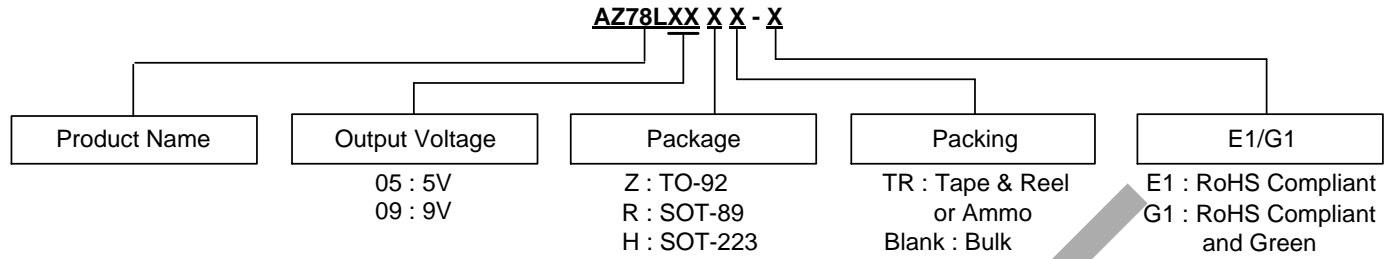


Load Transient Response

(Conditions: $V_{IN}=10V$, $V_{OUT}=5V$, $I_{OUT}=1$ to $50mA$)

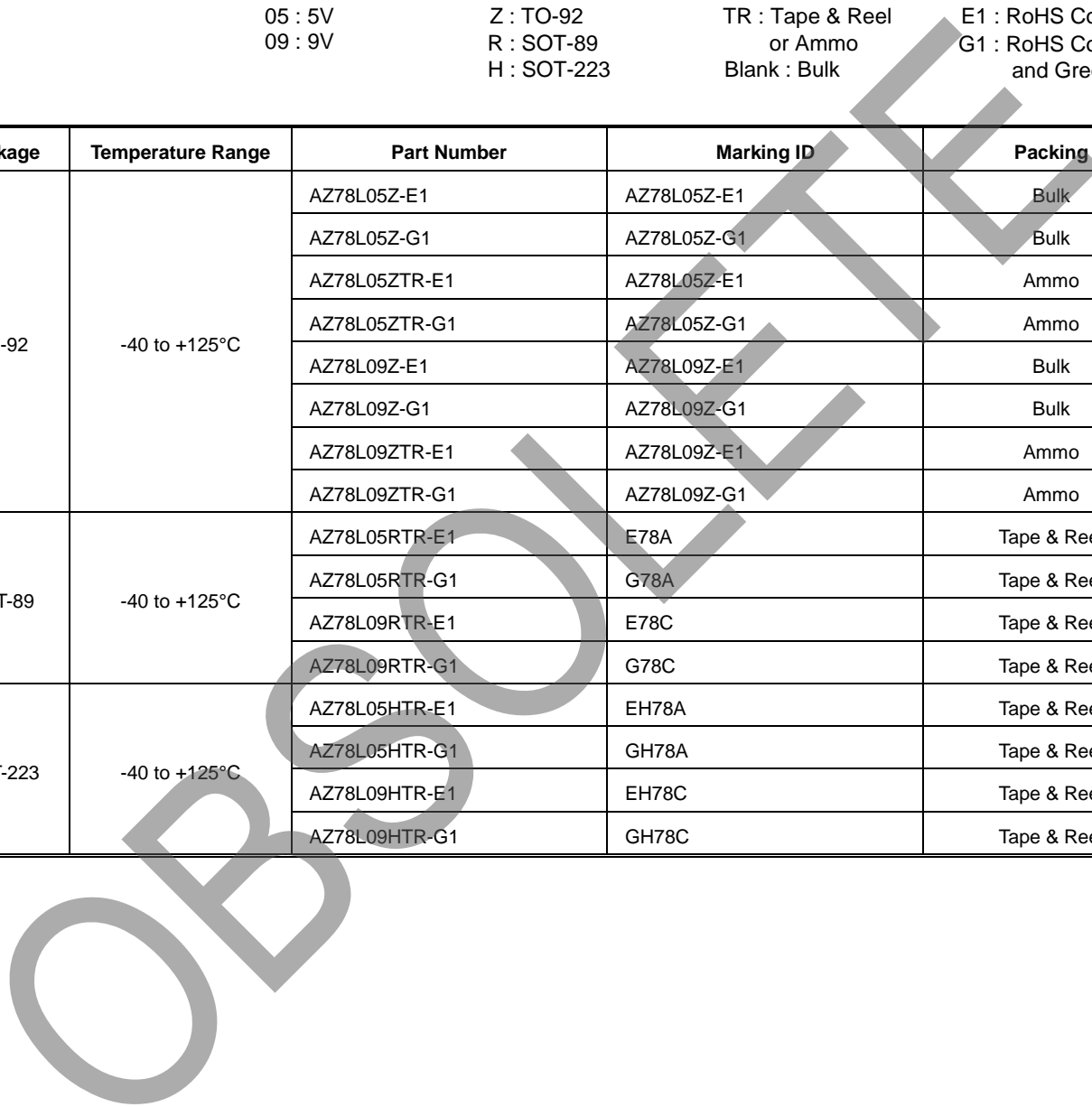


Ordering Information



Package	Temperature Range	Part Number	Marking ID	Packing
TO-92	-40 to +125°C	AZ78L05Z-E1	AZ78L05Z-E1	Bulk
		AZ78L05Z-G1	AZ78L05Z-G1	Bulk
		AZ78L05ZTR-E1	AZ78L05Z-E1	Ammo
		AZ78L05ZTR-G1	AZ78L05Z-G1	Ammo
		AZ78L09Z-E1	AZ78L09Z-E1	Bulk
		AZ78L09Z-G1	AZ78L09Z-G1	Bulk
		AZ78L09ZTR-E1	AZ78L09Z-E1	Ammo
		AZ78L09ZTR-G1	AZ78L09Z-G1	Ammo
SOT-89	-40 to +125°C	AZ78L05RTR-E1	E78A	Tape & Reel
		AZ78L05RTR-G1	G78A	Tape & Reel
		AZ78L09RTR-E1	E78C	Tape & Reel
		AZ78L09RTR-G1	G78C	Tape & Reel
SOT-223	-40 to +125°C	AZ78L05HTR-E1	EH78A	Tape & Reel
		AZ78L05HTR-G1	GH78A	Tape & Reel
		AZ78L09HTR-E1	EH78C	Tape & Reel
		AZ78L09HTR-G1	GH78C	Tape & Reel

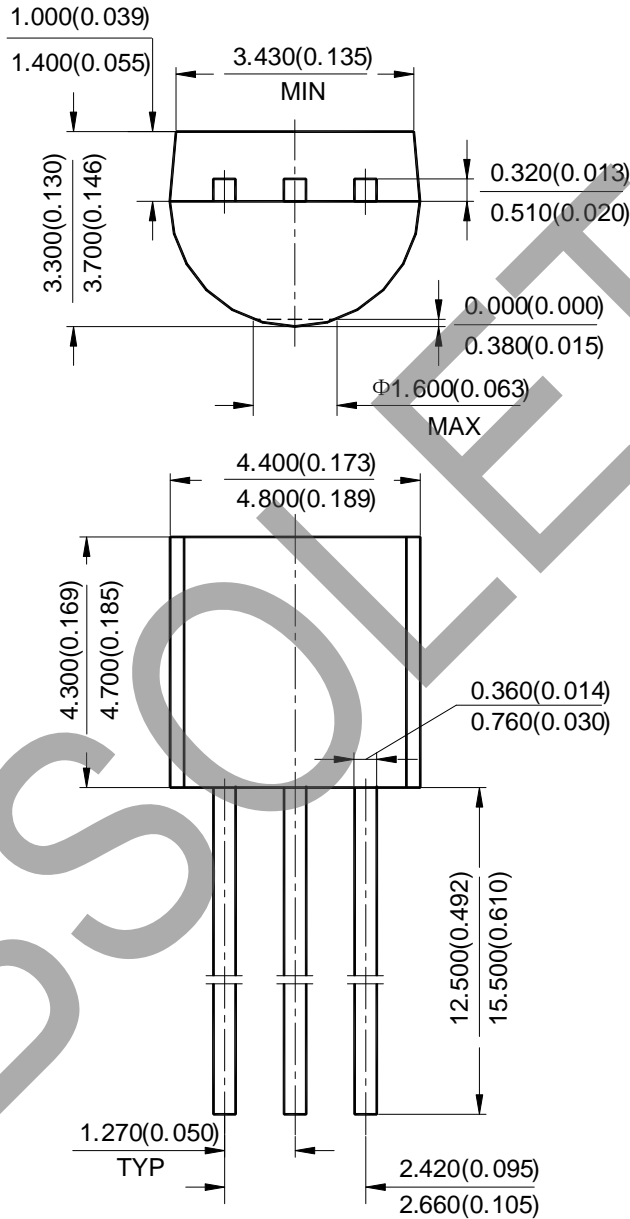
OBSOLETE - PART DISCONTINUED



Package Outline Dimensions (All dimensions in mm(inch).)

Please see <http://www.diodes.com/package-outlines.html> for the latest version.

(1) Package Type: TO-92 (Bulk Packing)



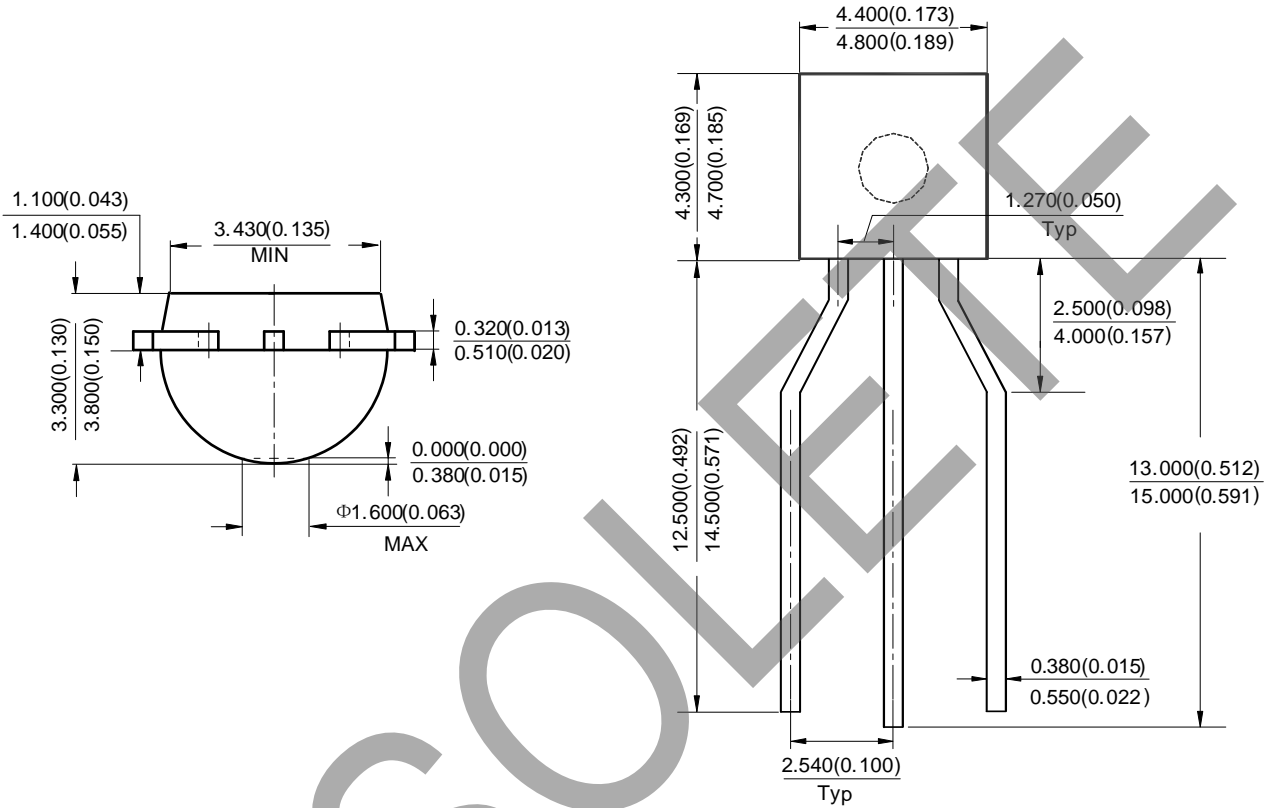
OBSOLETE - PART DISCONTINUED

OBSOLETE

Package Outline Dimensions (continued) (All dimensions in mm(inch).)

Please see <http://www.diodes.com/package-outlines.html> for the latest version.

(2) Package Type: TO-92 (Ammo Packing)



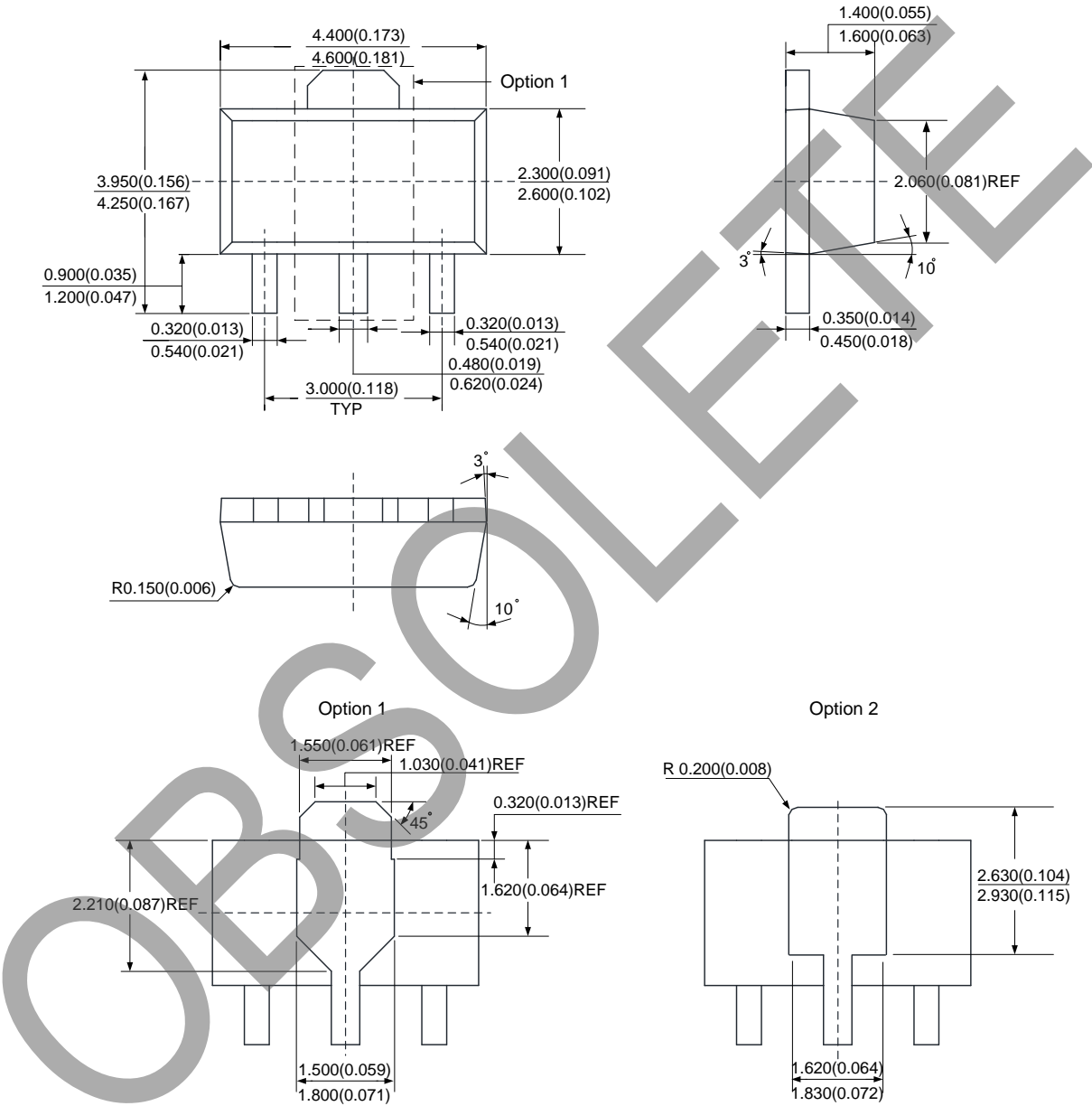
OBSOLETE - PART DISCONTINUED

OBSOLETE

Package Outline Dimensions (continued) (All dimensions in mm(inch).)

Please see <http://www.diodes.com/package-outlines.html> for the latest version.

(4) Package Type: SOT-89



OBSOLETE - PART DISCONTINUED

IMPORTANT NOTICE

DIODES INCORPORATED MAKES NO WARRANTY OF ANY KIND, EXPRESS OR IMPLIED, WITH REGARDS TO THIS DOCUMENT, INCLUDING, BUT NOT LIMITED TO, THE IMPLIED WARRANTIES OF MERCHANTABILITY AND FITNESS FOR A PARTICULAR PURPOSE (AND THEIR EQUIVALENTS UNDER THE LAWS OF ANY JURISDICTION).

Diodes Incorporated and its subsidiaries reserve the right to make modifications, enhancements, improvements, corrections or other changes without further notice to this document and any product described herein. Diodes Incorporated does not assume any liability arising out of the application or use of this document or any product described herein; neither does Diodes Incorporated convey any license under its patent or trademark rights, nor the rights of others. Any Customer or user of this document or products described herein in such applications shall assume all risks of such use and will agree to hold Diodes Incorporated and all the companies whose products are represented on Diodes Incorporated website, harmless against all damages.

Diodes Incorporated does not warrant or accept any liability whatsoever in respect of any products purchased through unauthorized sales channel. Should Customers purchase or use Diodes Incorporated products for any unintended or unauthorized application, Customers shall indemnify and hold Diodes Incorporated and its representatives harmless against all claims, damages, expenses, and attorney fees arising out of, directly or indirectly, any claim of personal injury or death associated with such unintended or unauthorized application.

Products described herein may be covered by one or more United States, international or foreign patents pending. Product names and markings noted herein may also be covered by one or more United States, international or foreign trademarks.

This document is written in English but may be translated into multiple languages for reference. Only the English version of this document is the final and determinative format released by Diodes Incorporated.

LIFE SUPPORT

Diodes Incorporated products are specifically not authorized for use as critical components in life support devices or systems without the express written approval of the Chief Executive Officer of Diodes Incorporated. As used herein:

A. Life support devices or systems are devices or systems which:

1. are intended to implant into the body, or
2. support or sustain life and whose failure to perform when properly used in accordance with instructions for use provided in the labeling can be reasonably expected to result in significant injury to the user.

B. A critical component is any component in a life support device or system whose failure to perform can be reasonably expected to cause the failure of the life support device or to affect its safety or effectiveness.

Customers represent that they have all necessary expertise in the safety and regulatory ramifications of their life support devices or systems, and acknowledge and agree that they are solely responsible for all legal, regulatory and safety-related requirements concerning their products and any use of Diodes Incorporated products in such safety-critical, life support devices or systems, notwithstanding any devices- or systems-related information or support that may be provided by Diodes Incorporated. Further, Customers must fully indemnify Diodes Incorporated and its representatives against any damages arising out of the use of Diodes Incorporated products in such safety-critical, life support devices or systems.

Copyright © 2020, Diodes Incorporated

www.diodes.com