

Description

The AZ34063U is a monolithic, switching regulator, control circuit which contains the primary functions required for DC-DC converters. This device consists of an internal temperature compensated reference, voltage comparator, controlled duty-cycle oscillator with active current-limit circuit, driver, and high-current output switch.

The AZ34063U is specifically designed as a general DC-DC converter to be used in Step-Down, Step-Up, and Voltage-Inverting applications with a minimum number of external components.

The AZ34063U is available in two packages: SO-8 and PDIP-8.

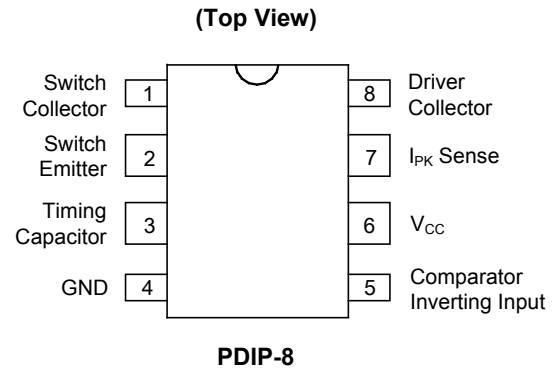
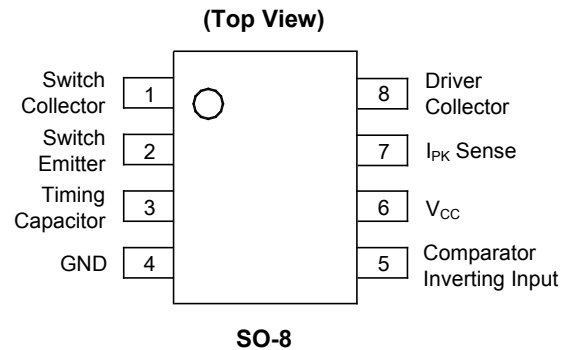
Features

- Operation from 3.0V to 36V Input
- Low Standby Current
- Current Limiting
- Output Switch Current to 1.5A
- Output Voltage Adjustable
- Operation Frequency up to 180kHz
- Precision 2% Reference
- **Totally Lead-Free & Fully RoHS Compliant (Notes 1 & 2)**
- **Halogen and Antimony Free. "Green" Device (Note 3)**
- **For automotive applications requiring specific change control (i.e. parts qualified to AEC-Q100/101/200, PPAP capable, and manufactured in IATF 16949 certified facilities), please [contact us](mailto:contact@diodes.com) or your local Diodes representative. <https://www.diodes.com/quality/product-definitions/>**

Applications

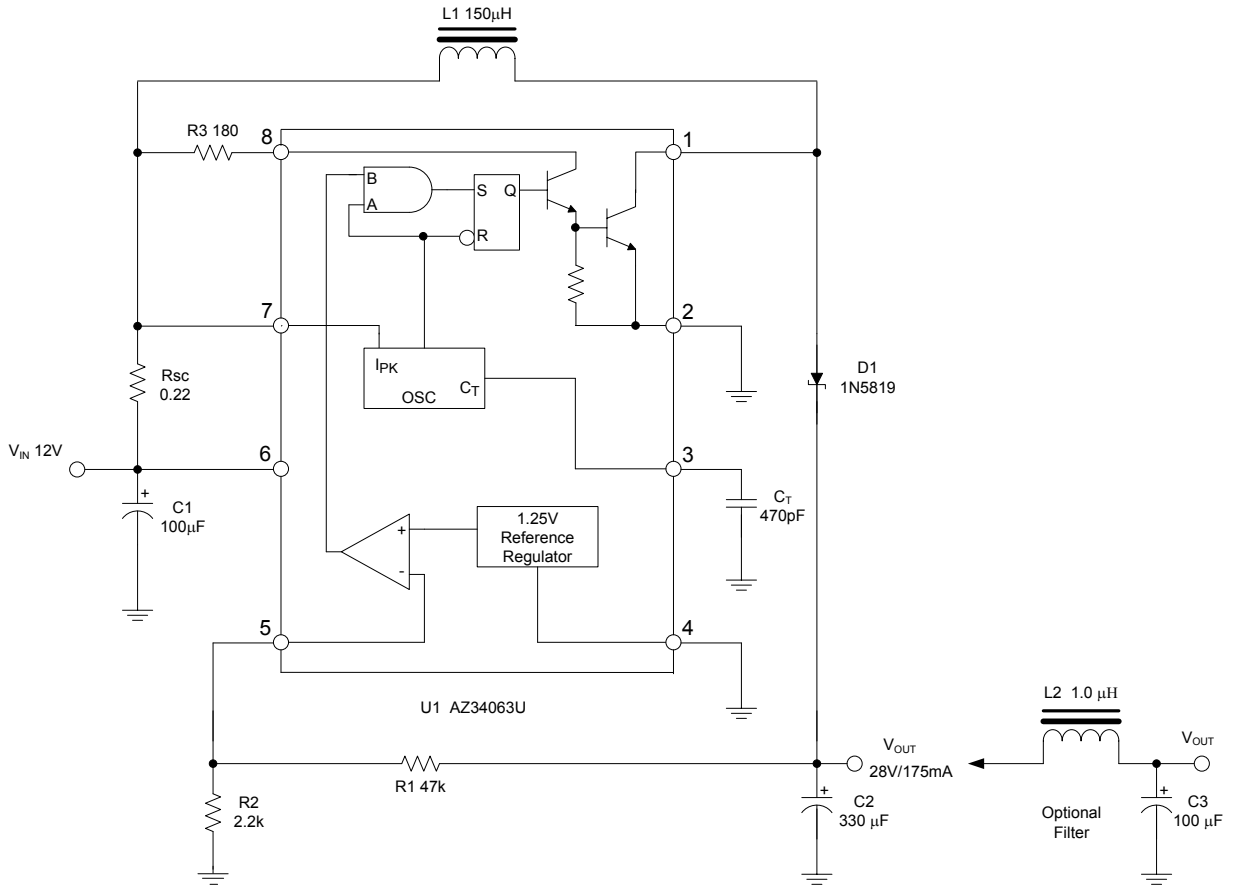
- Battery Chargers
- ADSL Modems
- Hubs
- Negative Voltage Power Supplies

Pin Assignments



- Notes:
1. No purposely added lead. Fully EU Directive 2002/95/EC (RoHS), 2011/65/EU (RoHS 2) & 2015/863/EU (RoHS 3) compliant.
 2. See <https://www.diodes.com/quality/lead-free/> for more information about Diodes Incorporated's definitions of Halogen- and Antimony-free, "Green" and Lead-free.
 3. Halogen- and Antimony-free "Green" products are defined as those which contain <900ppm bromine, <900ppm chlorine (<1500ppm total Br + Cl) and <1000ppm antimony compounds.

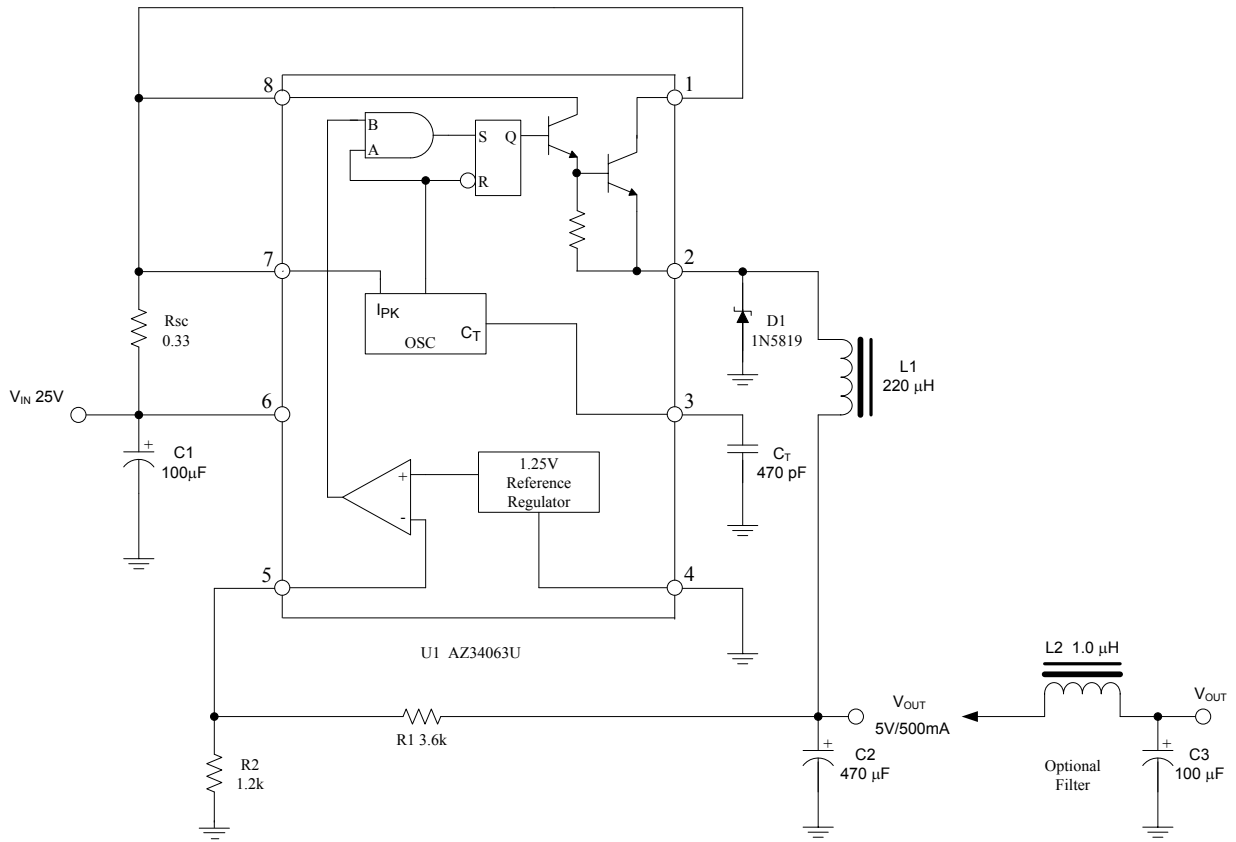
Typical Applications Circuit



Step-Up Converter (Note 4)

Note: 4. This is a typical step-up converter configuration. In the steady state, if the resistor divider voltage at pin 5 is greater than the voltage in the non-inverting input, which is 1.25V determined by the internal reference, the output of the comparator will go low. At the next switching period, the output switch will not conduct and the output voltage will eventually drop below its nominal voltage until the divider voltage at pin 5 is lower than 1.25V. Then the output of the comparator will go high, the output switch will be allowed to conduct. Since $V_{PIN5} = V_{OUT} \cdot R2 / (R1 + R2) = 1.25(V)$, the output voltage can be decided by $V_{OUT} = 1.25 \cdot (R1 + R2) / R2(V)$.

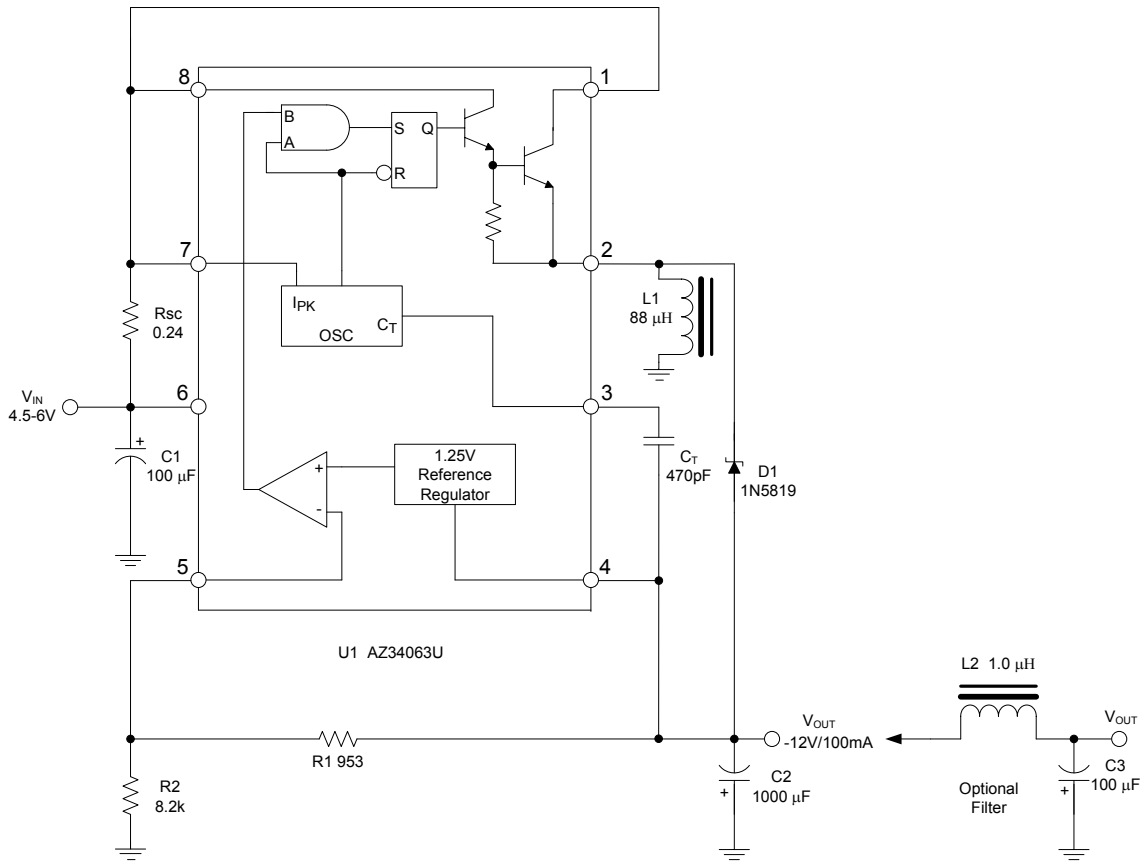
Typical Applications Circuit (continued)



Step-Down Converter (Note 5)

Note: 5. This is a typical step-down converter configuration. The working process in the steady state is similar to step-up converter, $V_{PIN5} = V_{OUT} * R2 / (R1 + R2) = 1.25(V)$, the output voltage can be decided by $V_{OUT} = 1.25 * (R1 + R2) / R2 (V)$.

Typical Applications Circuit (continued)



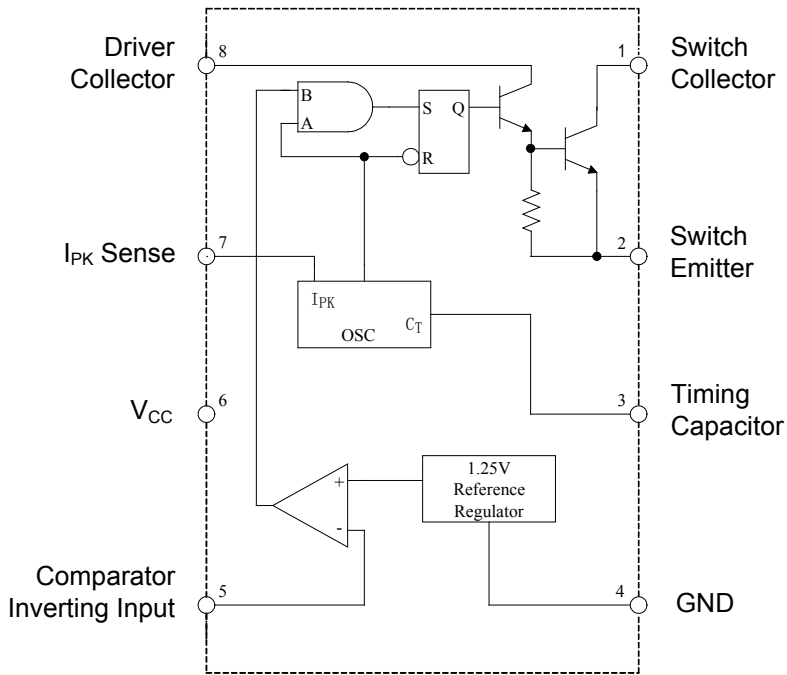
Voltage Inverting Converter (Note 6)

Note: 6. This is a typical inverting converter configuration. The working process in the steady state is similar to step-up converter, the difference in this situation is that the voltage at the non-inverting pin of the comparator is equal to $1.25V + V_{OUT}$, then $V_{PIN5} = V_{OUT} * R2 / (R1 + R2) = 1.25V + V_{OUT}$, so the output voltage can be decided by $V_{OUT} = -1.25 * (R1 + R2) / R1 (V)$.

Pin Descriptions

Pin Number	Pin Name	Function
1	Switch Collector	Internal switch transistor collector
2	Switch Emitter	Internal switch transistor emitter
3	Timing Capacitor	Timing Capacitor to control the switching frequency
4	GND	Ground pin for all internal circuits
5	Comparator Inverting Input	Inverting input pin for internal comparator
6	V _{CC}	Voltage supply
7	I _{PK} Sense	Peak Current Sense Input by monitoring the voltage drop across an external current sense resistor to limit the peak current through the switch
8	Driver Collector	Voltage driver collector

Functional Block Diagram



Absolute Maximum Ratings (Note 7)

Symbol	Parameter		Rating	Unit
V_{CC}	Power Supply Voltage		40	V
V_{IR}	Comparator Input Voltage Range		-0.3 to 40	V
$V_{C(switch)}$	Switch Collector Voltage		40	V
$V_{E(switch)}$	Switch Emitter Voltage ($V_{PIN\ 1} = 40V$)		40	V
$V_{CE(switch)}$	Switch Collector to Emitter Voltage		40	V
$V_{C(driver)}$	Driver Collector Voltage		40	V
$I_{C(driver)}$	Driver Collector Current (Note 8)		100	mA
I_{SW}	Switch Current		1.5	A
P_D	Power Dissipation ($T_A = +25^\circ C$)	PDIP-8	1.25	W
		SO-8	780	mW
θ_{JA}	Thermal Resistance	PDIP-8	100	$^\circ C/W$
		SO-8	160	
T_J	Operating Junction Temperature		+150	$^\circ C$
T_{LEAD}	Lead Temperature (Soldering, 10s)		+260	$^\circ C$
T_{STG}	Storage Temperature Range		-65 to +150	$^\circ C$
—	ESD (Human Body Model)		2000	V

Notes: 7. Stresses greater than those listed under "Absolute Maximum Ratings" may cause permanent damage to the device. These are stress ratings only, and functional operation of the device at these or any other conditions beyond those indicated under "Recommended Operating Conditions" is not implied. Exposure to "Absolute Maximum Ratings" for extended periods may affect device reliability.
8. Maximum package power dissipation limits must be observed.

Recommended Operating Conditions

Symbol	Parameter	Min	Max	Unit
V_{CC}	Supply Voltage	3	36	V
T_A	Ambient Temperature	-40	+85	$^\circ C$

Electrical Characteristics (@ $V_{CC} = 5.0V$, $T_A = -40$ to $+85^\circ C$, unless otherwise specified.)

Symbol	Parameter	Conditions	Min	Typ	Max	Unit
OSCILLATOR						
f_{OSC}	Frequency	$V_{PIN5} = 0V$, $C_T = 1.0nF$ $T_A = +25^\circ C$	30	38	45	KHz
I_{CHG}	Charge Current	$V_{CC} = 5.0V$ to $36V$, $T_A = +25^\circ C$	30	38	45	μA
I_{DISCHG}	Discharge Current	$V_{CC} = 5.0V$ to $36V$, $T_A = +25^\circ C$	180	240	290	μA
I_{DISCHG}/I_{CHG}	Discharge to Charge Current Ratio	Pin 7 to V_{CC} , $T_A = +25^\circ C$	5.2	6.5	7.5	—
$V_{IPK(sense)}$	Current Limit Sense Voltage	$I_{CHG} = I_{DISCHG}$, $T_A = +25^\circ C$	250	300	350	mV
OUTPUT SWITCH (Note 9)						
$V_{CE(sat)}$	Saturation Voltage, Darlington Connection	$I_{SW} = 1.0A$, Pins 1, 8 connected, Common Emitter	—	1.0	1.3	V
$V_{CE(sat)}$	Saturation Voltage (Note 10)	$I_{SW} = 1.0A$, $R_{PIN8} = 82\Omega$ to V_{CC} , Forced $\beta = 20$, Common Emitter	—	0.45	0.7	V
h_{FE}	DC Current Gain	$I_{SW} = 1.0A$, $V_{CE} = 5.0V$, $T_A = +25^\circ C$	50	75	—	—
$I_{C(off)}$	Collector Off-State Current	$V_{CE} = 36V$	—	0.01	100	μA
COMPARATOR						
V_{TH}	Threshold Voltage	$T_A = +25^\circ C$	1.225	1.250	1.275	V
		$T_A = -40$ to $+85^\circ C$	1.21	1.250	1.29	
R_{EGLINE}	Threshold Voltage Line Regulation	$V_{CC} = 3.0V$ to $36V$	—	1.4	5	mV
I_{IB}	Input Bias Current	$V_{IN} = 0V$	—	-20	-400	nA
TOTAL DEVICE						
I_{CC}	Supply Current	$V_{CC} = 5.0V$ to $36V$, $C_T = 1.0nF$, $V_{PIN7} = V_{CC}$, $V_{PIN5} > V_{TH}$, $V_{PIN2} = GND$, other pins open	—	—	4	mA

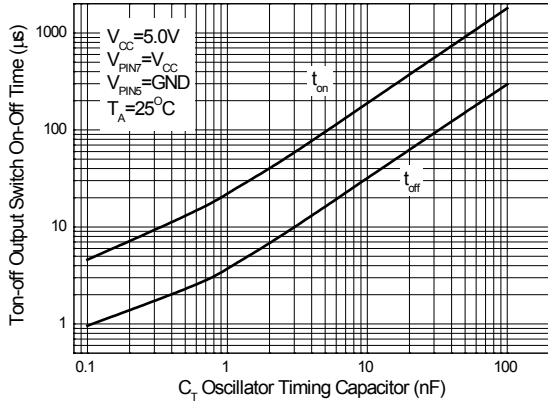
- Notes:
- Low duty cycle pulse technique are used during test to maintain junction temperature as close to ambient temperature as possible.
 - If the output switch is driven into hard saturation (non-Darlington configuration) at low switch currents ($\leq 300mA$) and high driver currents ($\geq 30mA$), it may take up to $2.0\mu s$ for it to come out of saturation. This condition will shorten the off time at frequencies 30KHz, and is magnified at high temperatures. This condition does not occur with a Darlington configuration, since the output switch cannot saturate. If a non-Darlington configuration is used, the following output drive condition is recommended:

$$\text{Forced } \beta \text{ of output switch: } \frac{I_{C\text{output}}}{I_{C\text{driver}} - 7.0mA} \geq 10$$

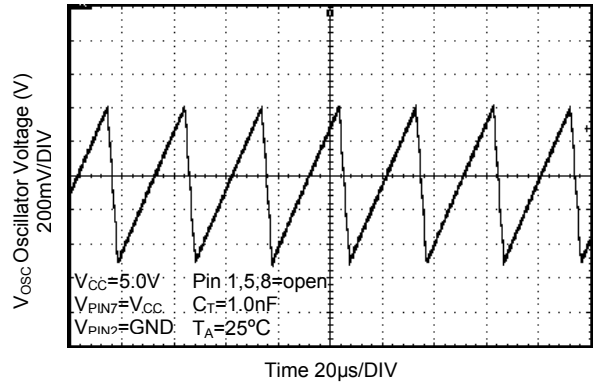
* The 100 Ω resistor in the emitter of the driver device requires about 7.0mA before the output switch conducts.

Performance Characteristics ($V_{CC} = 5.0V$, $T_A = +25^\circ C$, unless otherwise specified.)

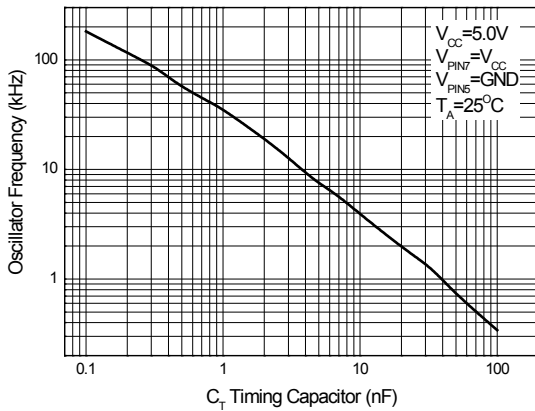
Output Switch On-Off Time vs. Oscillator Timing Capacitor



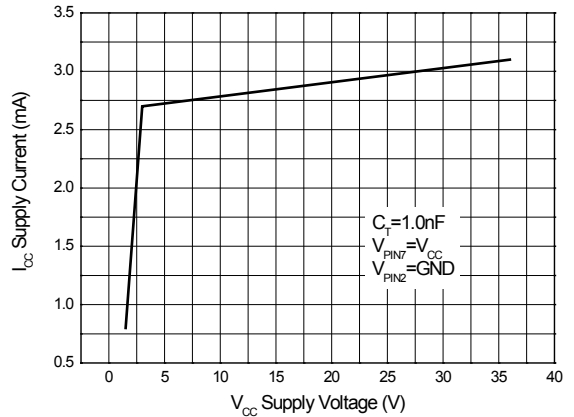
Timing Capacitor Waveform



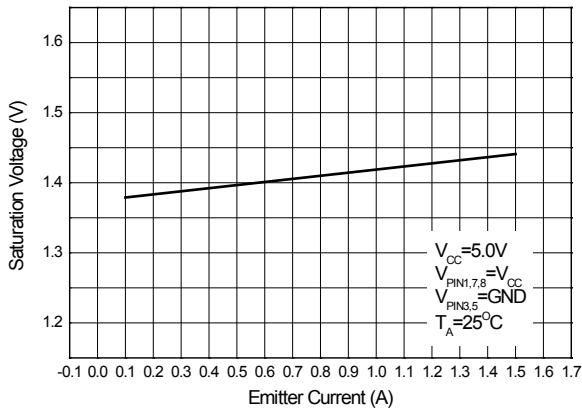
Oscillator Frequency vs. Timing Capacitor



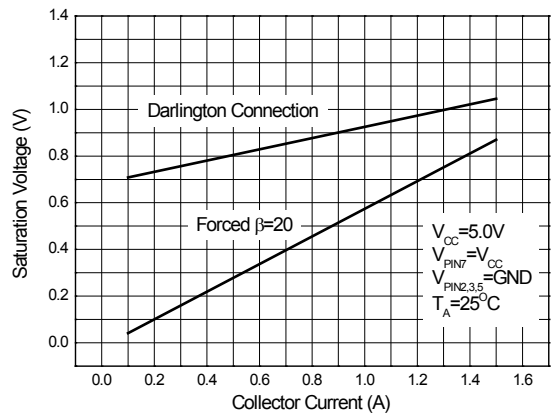
Standard Supply Current vs. Supply Voltage



Emitter Follower Configuration Output Saturation Voltage vs. Emitter Current

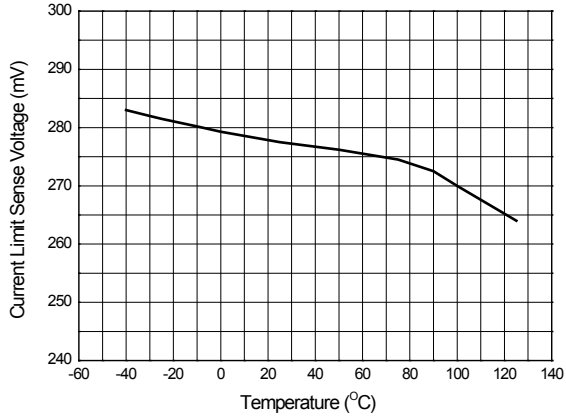


Common Emitter Configuration Output Switch Saturation Voltage vs. Collector Current

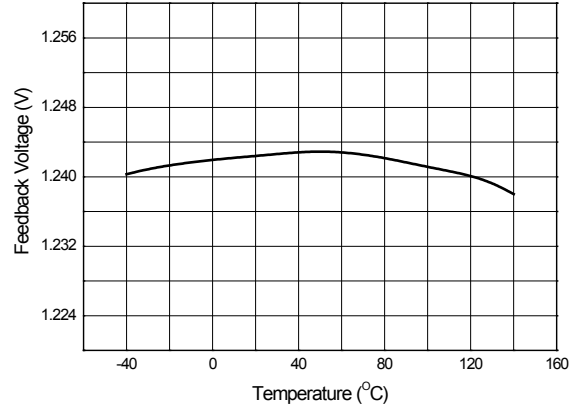


Performance Characteristics (continued) ($V_{CC} = 5.0V$, $T_A = +25^\circ C$, unless otherwise specified.)

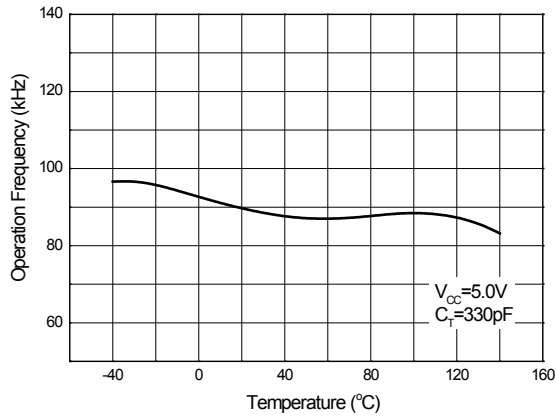
Current Limit Sense Voltage vs. Temperature



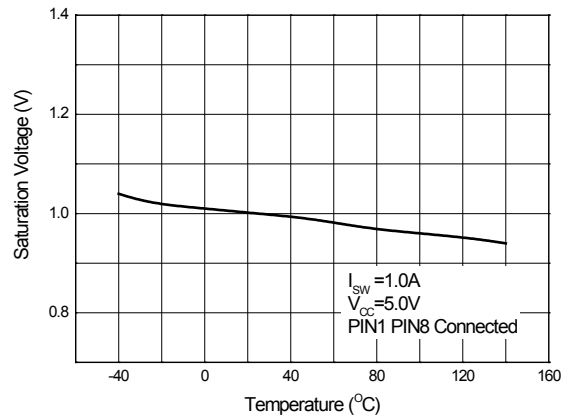
Feedback Voltage vs. Temperature



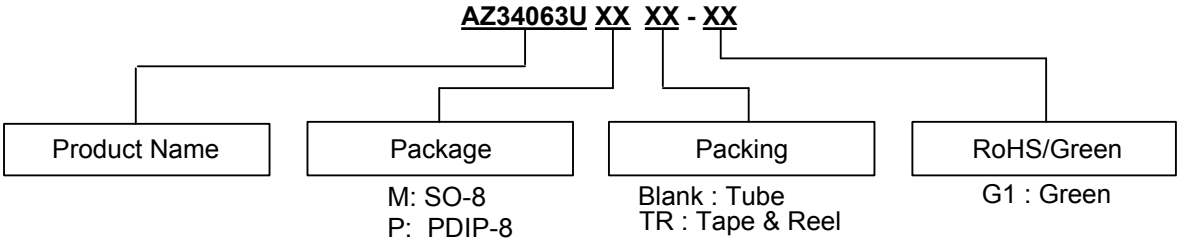
Operation Frequency vs. Temperature



Saturation Voltage vs. Temperature



Ordering Information (Note 12)



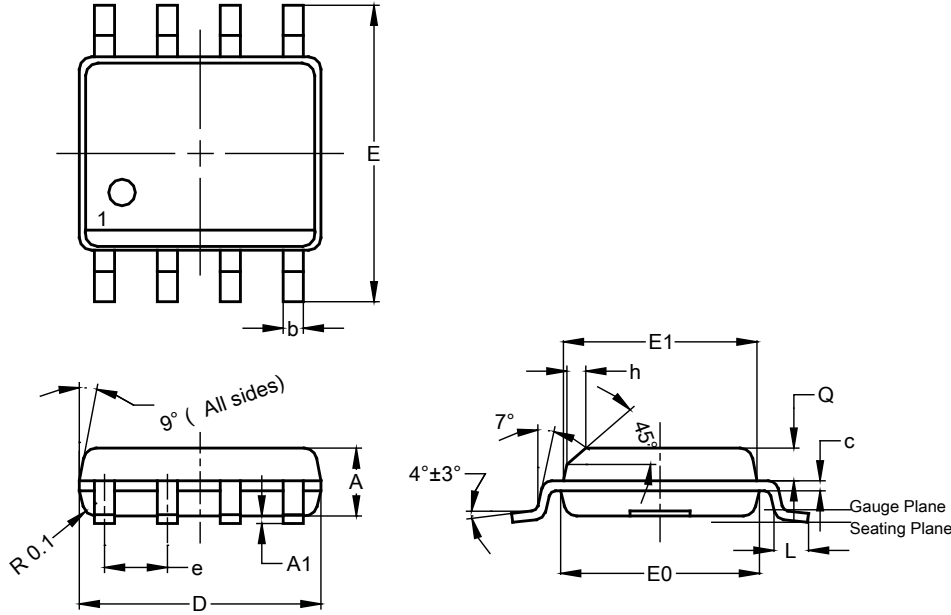
Package	Temperature Range	Part Number	Marking ID	Packing	Quantity	Status (Note 11)
SO-8	-40 to +85°C	AZ34063UMTR-G1	34063UM-G1	Tape & Reel	4000	Active
PDIP-8	-40 to +85°C	AZ34063UP-G1	AZ34063UP-G1	Tube	50	EOL

Notes: 11. AZ34063UP-G1 is EOL and AZ34063UMTR-G1 is active. For recommended alternatives to EOL devices, contact us at: <https://www.diodes.com/about/contact-us/>
 12. For packaging details, go to our website at <https://www.diodes.com/design/support/packaging/diodes-packaging/>.

Package Outline Dimensions

Please see <http://www.diodes.com/package-outlines.html> for the latest version.

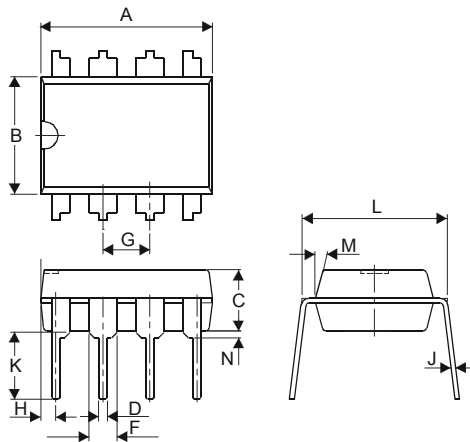
SO-8



SO-8			
Dim	Min	Max	Typ
A	1.40	1.50	1.45
A1	0.10	0.20	0.15
b	0.30	0.50	0.40
c	0.15	0.25	0.20
D	4.85	4.95	4.90
E	5.90	6.10	6.00
E1	3.80	3.90	3.85
E0	3.85	3.95	3.90
e	--	--	1.27
h	-	--	0.35
L	0.62	0.82	0.72
Q	0.60	0.70	0.65

All Dimensions in mm

PDIP-8



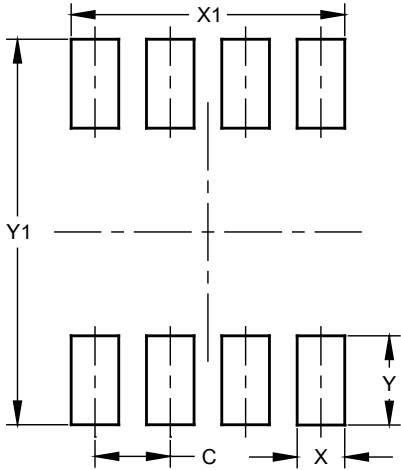
PDIP-8		
Dim	Min	Max
A	9.02	9.53
B	6.15	6.35
C	3.10	3.50
D	0.36	0.56
F	1.40	1.65
G	2.54 typ.	
H	0.71	0.97
J	0.20	0.36
K	2.92	3.81
L	7.62	8.26
M	-	15°
N	0.38 (min)	

All Dimensions in mm

Suggested Pad Layout

Please see <http://www.diodes.com/package-outlines.html> for the latest version.

SO-8



Dimensions	Value (in mm)
C	1.27
X	0.802
X1	4.612
Y	1.505
Y1	6.50

IMPORTANT NOTICE

1. DIODES INCORPORATED AND ITS SUBSIDIARIES (“DIODES”) MAKE NO WARRANTY OF ANY KIND, EXPRESS OR IMPLIED, WITH REGARDS TO ANY INFORMATION CONTAINED IN THIS DOCUMENT, INCLUDING, BUT NOT LIMITED TO, THE IMPLIED WARRANTIES OF MERCHANTABILITY, FITNESS FOR A PARTICULAR PURPOSE OR NON-INFRINGEMENT OF THIRD PARTY INTELLECTUAL PROPERTY RIGHTS (AND THEIR EQUIVALENTS UNDER THE LAWS OF ANY JURISDICTION).
2. The Information contained herein is for informational purpose only and is provided only to illustrate the operation of Diodes products described herein and application examples. Diodes does not assume any liability arising out of the application or use of this document or any product described herein. This document is intended for skilled and technically trained engineering customers and users who design with Diodes products. Diodes products may be used to facilitate safety-related applications; however, in all instances customers and users are responsible for (a) selecting the appropriate Diodes products for their applications, (b) evaluating the suitability of the Diodes products for their intended applications, (c) ensuring their applications, which incorporate Diodes products, comply the applicable legal and regulatory requirements as well as safety and functional-safety related standards, and (d) ensuring they design with appropriate safeguards (including testing, validation, quality control techniques, redundancy, malfunction prevention, and appropriate treatment for aging degradation) to minimize the risks associated with their applications.
3. Diodes assumes no liability for any application-related information, support, assistance or feedback that may be provided by Diodes from time to time. Any customer or user of this document or products described herein will assume all risks and liabilities associated with such use, and will hold Diodes and all companies whose products are represented herein or on Diodes’ websites, harmless against all damages and liabilities.
4. Products described herein may be covered by one or more United States, international or foreign patents and pending patent applications. Product names and markings noted herein may also be covered by one or more United States, international or foreign trademarks and trademark applications. Diodes does not convey any license under any of its intellectual property rights or the rights of any third parties (including third parties whose products and services may be described in this document or on Diodes’ website) under this document.
5. Diodes products are provided subject to Diodes’ Standard Terms and Conditions of Sale (<https://www.diodes.com/about/company/terms-and-conditions/terms-and-conditions-of-sales/>) or other applicable terms. This document does not alter or expand the applicable warranties provided by Diodes. Diodes does not warrant or accept any liability whatsoever in respect of any products purchased through unauthorized sales channel.
6. Diodes products and technology may not be used for or incorporated into any products or systems whose manufacture, use or sale is prohibited under any applicable laws and regulations. Should customers or users use Diodes products in contravention of any applicable laws or regulations, or for any unintended or unauthorized application, customers and users will (a) be solely responsible for any damages, losses or penalties arising in connection therewith or as a result thereof, and (b) indemnify and hold Diodes and its representatives and agents harmless against any and all claims, damages, expenses, and attorney fees arising out of, directly or indirectly, any claim relating to any noncompliance with the applicable laws and regulations, as well as any unintended or unauthorized application.
7. While efforts have been made to ensure the information contained in this document is accurate, complete and current, it may contain technical inaccuracies, omissions and typographical errors. Diodes does not warrant that information contained in this document is error-free and Diodes is under no obligation to update or otherwise correct this information. Notwithstanding the foregoing, Diodes reserves the right to make modifications, enhancements, improvements, corrections or other changes without further notice to this document and any product described herein. This document is written in English but may be translated into multiple languages for reference. Only the English version of this document is the final and determinative format released by Diodes.
8. Any unauthorized copying, modification, distribution, transmission, display or other use of this document (or any portion hereof) is prohibited. Diodes assumes no responsibility for any losses incurred by the customers or users or any third parties arising from any such unauthorized use.

Copyright © 2021 Diodes Incorporated

www.diodes.com