

USB2.0 High-Speed (480Mbps) Signal Switch With Vbus Short Protection

Features

- USB 2.0 compliant (high speed and full speed)
- R_{ON} is 4.0Ω typical @ $V_{DD} = 3.0V$
- Low bit-to-bit skew
- Low Crosstalk: -41dB @ 240 MHz
- Off Isolation: -37dB @ 240 MHz
- Wide -3db bandwidth: 770MHz
- Near-Zero propagation delay: 250ps
- Support for 1.8V/2.5V/3.3V Logic on Control pins
- Channel On Capacitance: 6.0pF
- VDD Operating Range: 1.8V to 4.5V
- Data pin I/O ESD: >8kV HBM protection per JESD22-A114D specification
- I/O pins have over-voltage protection and can tolerate a short to Vbus
- Totally Lead-Free & Fully RoHS Compliant (Notes 1 & 2)
- Halogen and Antimony Free. "Green" Device (Note 3)
- For automotive applications requiring specific change control (i.e. parts qualified to AEC-Q100/101/200, PPAP capable, and manufactured in IATF 16949 certified facilities), please [contact us](#) or your local Diodes representative.
<https://www.diodes.com/quality/product-definitions/>
- Packaging (Pb-free & Green): 10-pin UQFN (ZM10)

Applications

- Route signals for USB 2.0
- Cell phone, PDA, Digital camera and Notebook
- LCD Monitor ,TV, Set-top box
- Portable device

Logic Function Table

/OE	SEL	Function
H	X	I/O's = Hi-Z
L	L	D(+/-) to D(+/-)A
L	H	D(+/-) to D(+/-)B

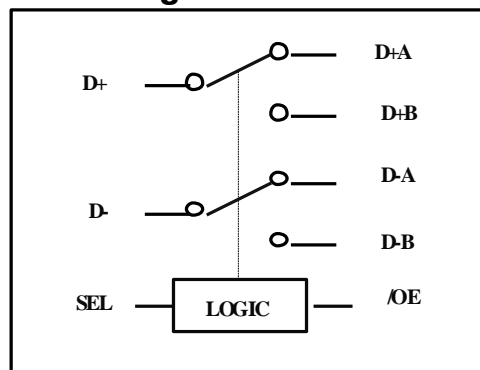
Description

The PI3USB42 is a single differential channel 2:1 multiplexer/demultiplexer USB 2.0 Switch. Industry leading advantages include a propagation delay of less than 250ps, resulting from its low channel resistance and I/O capacitance. The device multiplexes differential outputs from a USB Host device to one of two corresponding outputs. The switch is bidirectional and offers little or no attenuation of the high-speed signals at the outputs. It is designed for low bit-to-bit skew, high channel-to-channel noise isolation and is compatible with various standards, such as High Speed USB 2.0 (480 Mb/s).

The PI3USB42 offers overvoltage protection per the USB2.0 specification. With the chip powered on or off, all I/O pins can withstand a short to Vbus (5V +/-10%). If VDD=0V, the I/Os can still have signals present, and the signal will NOT leak through to VDD.

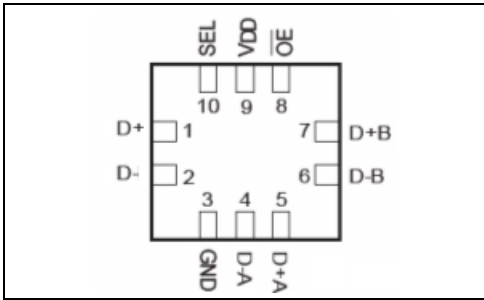
If the Vin (D+/-) is 0.6V greater than VDD, USB42 will turn off the switch between Input (D+/-) and output (D+A/B and D-A/B)

Block Diagram



Notes:
 1. No purposely added lead. Fully EU Directive 2002/95/EC (RoHS), 2011/65/EU (RoHS 2) & 2015/863/EU (RoHS 3) compliant.
 2. See <https://www.diodes.com/quality/lead-free/> for more information about Diodes Incorporated's definitions of Halogen- and Antimony-free, "Green" and Lead-free.
 3. Halogen- and Antimony-free "Green" products are defined as those which contain <900ppm bromine, <900ppm chlorine (<1500ppm total Br + Cl) and <1000ppm antimony compounds.

Pin Diagram



Pin Description

Pin #	Pin Name	Description
1	D+	USB Data bus
2	D-	USB Data bus
3	GND	Ground
4	D-A	Multiplexed Source Inputs
5	D+A	Multiplexed Source Inputs
6	D-B	Multiplexed Source Inputs
7	D+B	Multiplexed Source Inputs
8	/OE	Switch Enable
9	V _{DD}	Positive Power Supply
10	SEL	Switch Select

Maximum Ratings

Storage Temperature	65°C to +150°C
Junction Temperature	125°C
Supply Voltage to Ground Potential	-0.5V to +5V
Control Input Voltage	-0.5V to 4.6V
DC Switch Voltage (D+, D-, D+A, D-A, D+B and D-B)	-0.5V to 5.25V
DC Output Current	120mA
Power Dissipation	0.5W
ESD (HBM)	>8kV

Note:

Stresses greater than those listed under MAXIMUM RATINGS may cause permanent damage to the device. This is a stress rating only and functional operation of the device at these or any other conditions above those indicated in the operational sections of this specification is not implied. Exposure to absolute maximum rating conditions for extended periods may affect reliability. The input and output negative voltage ratings may be exceeded if the input and output diode current ratings are observed.

Recommended Operating Conditions

Symbol	Parameter	Min.	Typ.	Max.	Unit
V_{DD}	Operating Voltage	1.8	-	4.5	V
$V_{CNTRL}^{(1)}$	Control Input Voltage	0	-	4.3	
V_{INPUT}	Switch Input Voltage	-0.5	-	$V_{DD}+0.5$	
T_A	Operating Temperature	-40	-	85	°C

Notes:

1. The control input must be held high or low and it must not float.

DC Electrical Characteristics

($T_A = -40^\circ\text{C}$ to $+85^\circ\text{C}$, $V_{DD} = 3.0\text{V} - 4.5\text{V}$)

Parameter	Description	Test Conditions ⁽¹⁾	Min.	Typ. ⁽²⁾	Max.	Unit
V_{IH}	Input High Voltage	Guaranteed High Level	1.2	-	-	V
V_{IL}	Input Low Voltage	Guaranteed Low Level	-	-	0.60	
V_{IK}	Clamp Diode Voltage	$V_{DD} = \text{Max.}, I_{SEL} = -18\text{mA}$	-	-0.7	-1.2	
I_{IH}	Input High Current	$V_{DD} = \text{Max.}, V_{SEL} = V_{DD}$	-	-	± 100	nA
I_{IL}	Input Low Current	$V_{DD} = \text{Max.}, V_{SEL} = \text{GND}$	-	-	± 100	
R_{ON}	Switch On-Resistance ⁽³⁾	$V_{DD} = \text{Min.}, 0 \leq V_{INPUT} \leq 0.4\text{V}, I_{INPUT} = -40\text{mA}$	-	4.0	5.5	Ω
$R_{FLAT(ON)}$	On-Resistance Flatness ⁽³⁾	$V_{DD} = \text{Min.}, 0 \leq V_{INPUT} \leq 0.4\text{V}, I_{INPUT} = -40\text{mA}$	-	0.25	-	
ΔR_{ON}	On-Resistance match from center ports to any other port ⁽³⁾	$V_{DD} = \text{Min.}, 0 \leq V_{INPUT} \leq 0.4\text{V}, I_{INPUT} = -40\text{mA}$	-	0.1	1.0	
I_{OZ}	Output leakage current when port is off	$V_{DD} = 4.5\text{V}, 0 \leq V_{INPUT} \leq 0.4\text{V}$	-	-	± 100	nA
I_{OFF}	Power-Off Leakage Current	$V_{INPUT} = 0\text{V} \sim 4.3\text{V}, V_{DD} = 0\text{V}$	-	-	100	nA

Notes:

1. For max. or min. conditions, use appropriate value specified under Electrical Characteristics for the applicable device type.

2. $V_{DD} = 3.0 - 4.5\text{V}$, $T_A = 25^\circ\text{C}$ ambient and maximum loading.

3. Measured by the voltage drop between D and Dn pin at indicated current through the Switch On-Resistance is determined by the lower of the voltages on the two (D, Dn) pins.

Power Supply Characteristics

($T_A = -40^\circ\text{C}$ to $+85^\circ\text{C}$, $V_{DD} = 3.0\text{V} - 4.5\text{V}$)

Parameter	Description	Test Conditions ⁽¹⁾	Min.	Typ.	Max.	Unit.
I_{CC}	Quiescent Power Supply current	$V_{DD} = \text{Max.}, V_{SEL} = V_{DD}$ OR GND	-	-	100	nA
I_{CCT}	Increase in I_{CC} Current per Control Voltage and V_{DD}	$V_{CNTRL} = 1.8\text{V}, V_{DD} = 4.5\text{V}$	-	5.8	15	μA

Notes:

1. For max. or min. conditions, use appropriate value specified under Electrical Characteristics for the applicable device type.

Capacitance

 (T_A = 25°C, V_{DD} = 3.0V, f = 1MHz)

Parameters	Description	Test Conditions	Min.	Typ.	Max.	Units
C _{CNTRL}	Control logic pin Input Capacitance	V _{SEL} = 0V	-	6.0	-	pF
C _{OFF}	Switch Capacitance, Switch OFF		-	1.9	-	
C _{ON}	Switch Capacitance, Switch ON		-	6.0	-	

Dynamic Electrical Characteristics Over the Operating Range

 (T_A = 25°C, V_{DD} = 3.0V)

Parameters	Description	Test Conditions ⁽¹⁾	Min.	Typ.	Max.	Units
XTALK	Crosstalk	R _L = 50Ω, f = 240 MHz	-	-41	-	dB
OIRR	OFF Isolation		-	-37	-	
BW	-3dB Bandwidth	R _L = 50Ω	-	770	-	MHz

Switching Characteristics

 (T_A = 25°C, V_{DD} = 3.0V)

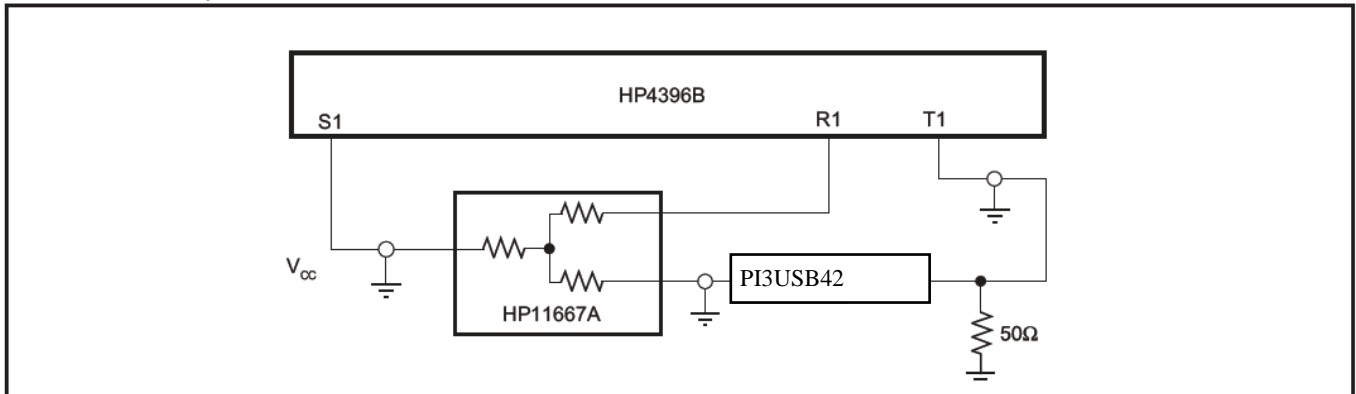
Parameters	Description	Test Conditions ⁽¹⁾	Min	Typ.	Max	Units
t _{PD}	Propagation Delay ^(2,3)	See Test Circuit for Electrical Characteristics	-	0.25	-	ns
t _{PZH} , t _{PZL}	Line Enable Time - SEL to D(+/-), D(+/-)n		-	25	-	
t _{PHZ} , t _{PLZ}	Line Disable Time - SEL to D(+/-), D(+/-)n		-	4	-	
t _{BBM}	Break-Before-Make	-	-	7	-	ns
t _{SKb-b}	Output skew, bit-to-bit (opposite transition of the same output (t _{PHI} - t _{PLH}) ⁽²⁾)	V _{DD} = 3V	-	-	35	ps
		V _{DD} = 4V	-	-	60	

Notes:

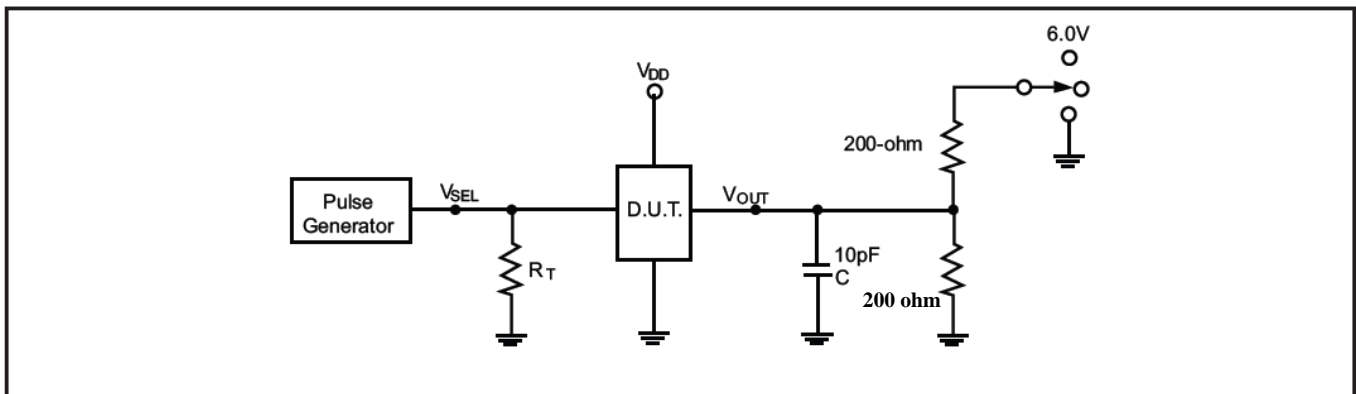
- For max. or min. conditions, use appropriate value specified under Electrical Characteristics for the applicable device type.
- Guaranteed by design.
- The switch contributes no propagational delay other than the RC delay of the On-Resistance of the switch and the load capacitance. The time constant for the switch alone is of the order of 0.25ns for 10pF load. Since this time constant is much smaller than the rise/fall times of typical driving signals, it adds very little propagational delay to the system. Propagational delay of the switch when used in a system is determined by the driving circuit on the driving side of the switch and its interactions with the load on the driven side.

Test Circuits and Test Diagramming

Test Circuit for Dynamic Electrical Characteristics



Test Circuit for Electrical Characteristics



Notes:

C_L = Load capacitance: includes jig and probe capacitance.

R_T = Termination resistance: should be equal to Z_{OUT} of the Pulse Generator

Waveform 1 is for an output with internal conditions such that the output is low except when disabled by the output control.

Waveform 2 is for an output with internal conditions such that the output is high except when disabled by the output control.

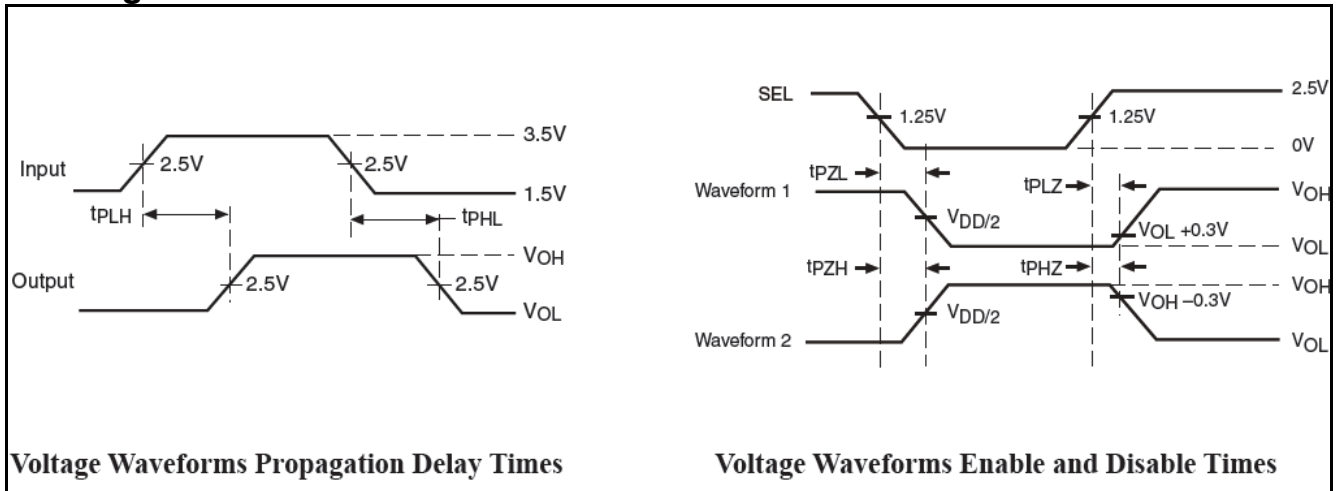
All input impulses are supplied by generators having the following characteristics: $PRR \leq \text{MHz}$, $Z_O = 50\Omega$, $t_R \leq 2.5\text{ns}$, $t_F \leq 2.5\text{ns}$.

The outputs are measured one at a time with on transition per measurement.

Switch Positions

Test	Switch
t_{PLZ} , t_{PZL} (output on I-side)	6.0V
t_{PHZ} , t_{PZH} (output on I-side)	GND
Prop Delay	Open

Switching Waveforms



Applications Information

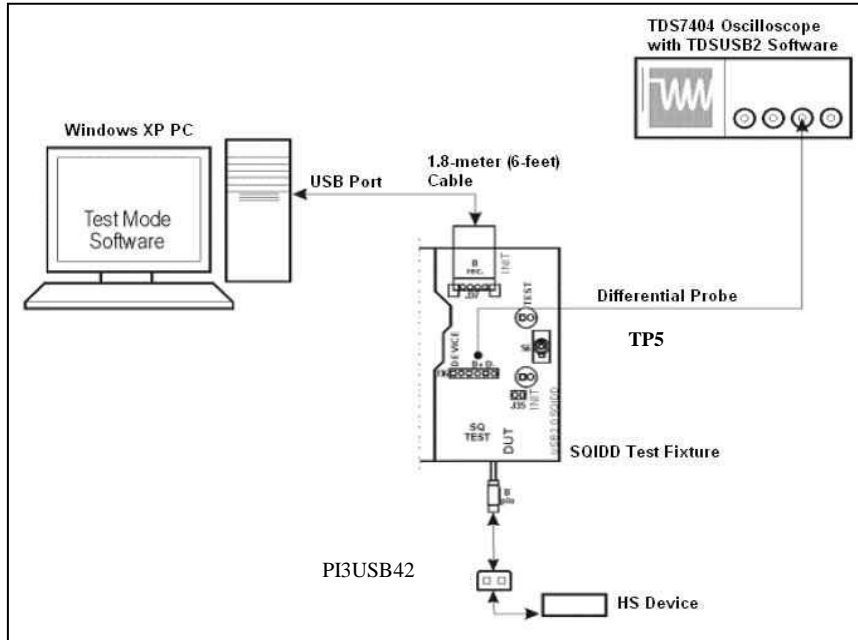
Logic Inputs

The logic control inputs can be driven up to +4.3V regardless of the supply voltage. For example, given a +3.3V supply, the output enables or select pins may be driven to low to 0V and high to 4.3V.

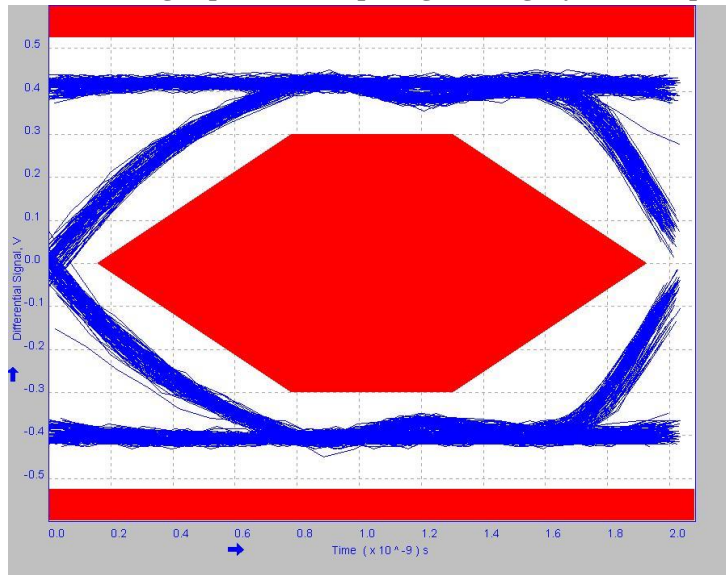
Power Supply Sequencing

Proper power supply sequencing is recommended for all CMOS devices. Always apply VDD and GND before applying signals to input/output or control pin.

Eye Diagram Measurement

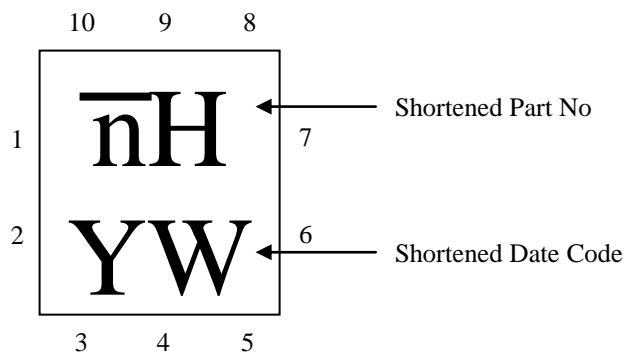


USB2.0 High-speed (480Mbps) Signal Integrity Test Setup

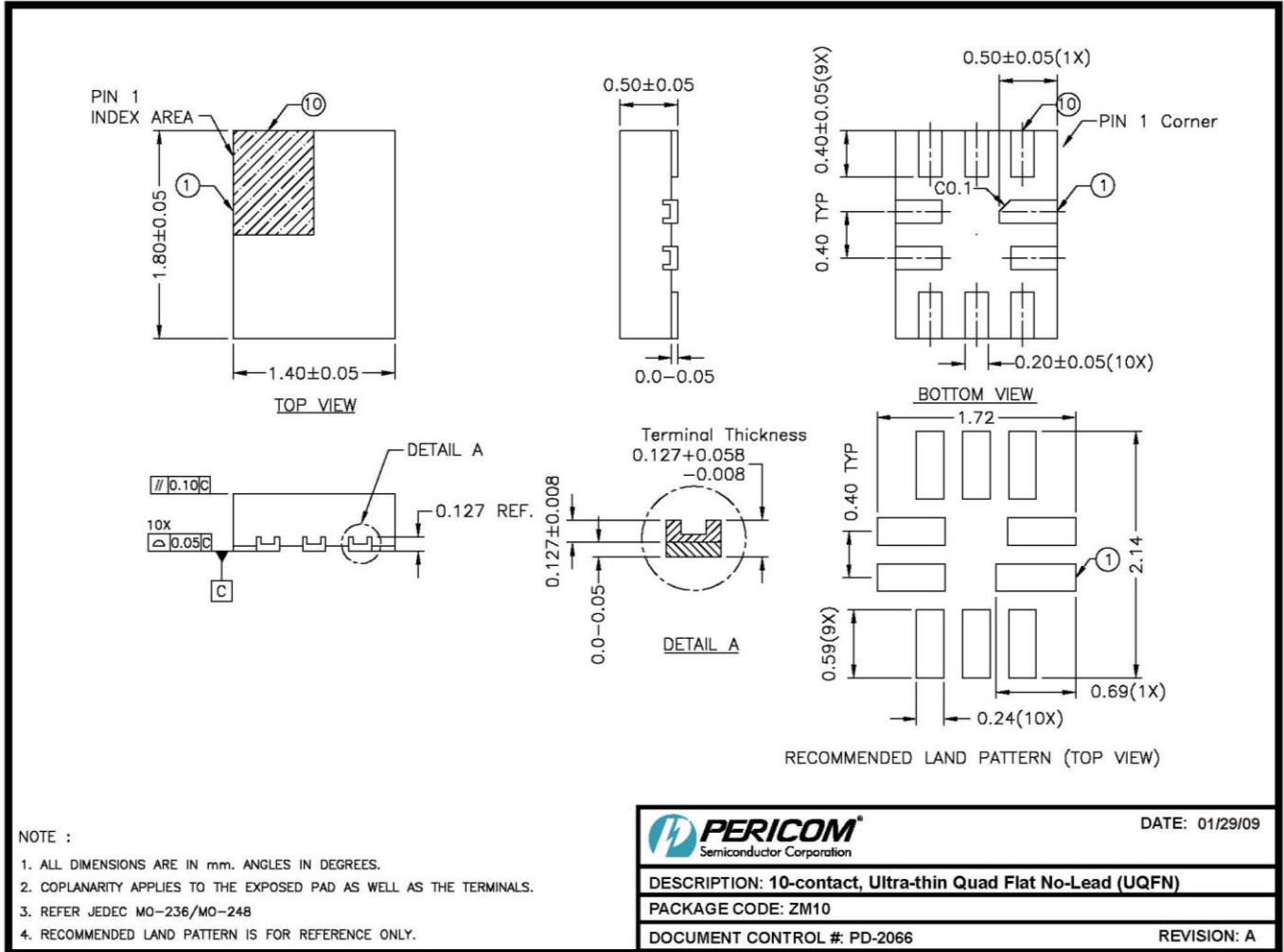


High Speed Signal Quality Eye Diagram Test ($V_{DD} = 3.3V$)

Marking Description



Packaging Mechanical:
10-UQFN (ZM10)



09-0072

For latest package info.

please check: <http://www.diodes.com/design/support/packaging/pericom-packaging/packaging-mechanicals-and-thermal-characteristics/>

Ordering Information

Part Number	Package Code	Package
PI3USB42ZMEX	ZM	10-contact, Ultra-thin Quad Flat No-Lead (UQFN)

Notes:

1. No purposely added lead. Fully EU Directive 2002/95/EC (RoHS), 2011/65/EU (RoHS 2) & 2015/863/EU (RoHS 3) compliant.
2. See <https://www.diodes.com/quality/lead-free/> for more information about Diodes Incorporated's definitions of Halogen- and Antimony-free, "Green" and Lead-free.
3. Halogen- and Antimony-free "Green" products are defined as those which contain <900ppm bromine, <900ppm chlorine (<1500ppm total Br + Cl) and <1000ppm antimony compounds.
4. E = Pb-free and Green
5. X suffix = Tape/Reel

IMPORTANT NOTICE

DIODES INCORPORATED MAKES NO WARRANTY OF ANY KIND, EXPRESS OR IMPLIED, WITH REGARDS TO THIS DOCUMENT, INCLUDING, BUT NOT LIMITED TO, THE IMPLIED WARRANTIES OF MERCHANTABILITY AND FITNESS FOR A PARTICULAR PURPOSE (AND THEIR EQUIVALENTS UNDER THE LAWS OF ANY JURISDICTION).

Diodes Incorporated and its subsidiaries reserve the right to make modifications, enhancements, improvements, corrections or other changes without further notice to this document and any product described herein. Diodes Incorporated does not assume any liability arising out of the application or use of this document or any product described herein; neither does Diodes Incorporated convey any license under its patent or trademark rights, nor the rights of others. Any Customer or user of this document or products described herein in such applications shall assume all risks of such use and will agree to hold Diodes Incorporated and all the companies whose products are represented on Diodes Incorporated website, harmless against all damages.

Diodes Incorporated does not warrant or accept any liability whatsoever in respect of any products purchased through unauthorized sales channel.

Should Customers purchase or use Diodes Incorporated products for any unintended or unauthorized application, Customers shall indemnify and hold Diodes Incorporated and its representatives harmless against all claims, damages, expenses, and attorney fees arising out of, directly or indirectly, any claim of personal injury or death associated with such unintended or unauthorized application.

Products described herein may be covered by one or more United States, international or foreign patents pending. Product names and markings noted herein may also be covered by one or more United States, international or foreign trademarks.

This document is written in English but may be translated into multiple languages for reference. Only the English version of this document is the final and determinative format released by Diodes Incorporated.

LIFE SUPPORT

Diodes Incorporated products are specifically not authorized for use as critical components in life support devices or systems without the express written approval of the Chief Executive Officer of Diodes Incorporated. As used herein:

A. Life support devices or systems are devices or systems which:

1. are intended to implant into the body, or
2. support or sustain life and whose failure to perform when properly used in accordance with instructions for use provided in the labeling can be reasonably expected to result in significant injury to the user.

B. A critical component is any component in a life support device or system whose failure to perform can be reasonably expected to cause the failure of the life support device or to affect its safety or effectiveness.

Customers represent that they have all necessary expertise in the safety and regulatory ramifications of their life support devices or systems, and acknowledge and agree that they are solely responsible for all legal, regulatory and safety-related requirements concerning their products and any use of Diodes Incorporated products in such safety-critical, life support devices or systems, notwithstanding any devices- or systems-related information or support that may be provided by Diodes Incorporated. Further, Customers must fully indemnify Diodes Incorporated and its representatives against any damages arising out of the use of Diodes Incorporated products in such safety-critical, life support devices or systems.

Copyright © 2016, Diodes Incorporated
www.diodes.com