

# PSE Technology Corporation

## SPECIFICATION FOR APPROVAL

|                   |                                           |
|-------------------|-------------------------------------------|
| CUSTOMER          |                                           |
| NOMINAL FREQUENCY | <b>16.000000 MHz</b>                      |
| PRODUCT TYPE      | <b>TYPE F6 6x3.5 GLASS SEALED CRYSTAL</b> |
| PART NUMBER       | <b>F61600023</b>                          |
| CUSTOMER P/N      |                                           |
| ISSUE DATE        | <b>May 31, 2016</b>                       |
| VERSION           | <b>A</b>                                  |

| APPROVED                                       | PREPARED       | QA               |
|------------------------------------------------|----------------|------------------|
| <i>Brenda</i>                                  | <i>Niki Lu</i> | <i>Song Yang</i> |
| APPROVED BY CUSTOMER                           |                |                  |
| Please return one copy with approval to PSE-TW |                |                  |

### PSE Technology Corporation

No.2, Tzu-Chiang 5th Rd., Chung Li Industrial Park,  
 Chung Li City, Taoyuan County, Taiwan (R.O.C.)  
 TEL:886-3-451-8888  
 FAX:886-3-461-3865  
<http://www.saronix-ecera.com.tw/>

- \*RoHS Exemption
- \*HF-Halogen Free
- \*REACH Compliant

**A Company of PERICOM Semiconductor Corporation**

# TYPE F6 6x3.5 GLASS SEALED CRYSTAL

## *F61600023*

VER.A 31-MAY-16

### VERSION HISTORY

| Version No. | Version Date  | Customer Receipt Date | Supplier Receipt Date | Description     | Notes |
|-------------|---------------|-----------------------|-----------------------|-----------------|-------|
| A           | May. 31, 2016 |                       |                       | Initial Release |       |

# TYPE F6 6x3.5 GLASS SEALED CRYSTAL

**F61600023**

VER.A 31-MAY-16

## ELECTRICAL SPECIFICATIONS

| Item                                                                          | Symbol | Specifications     | Units | Notes                              |
|-------------------------------------------------------------------------------|--------|--------------------|-------|------------------------------------|
| Nominal Frequency                                                             | Fn     | 16.000000          | MHz   |                                    |
| Mode of Oscillation                                                           | MO     | AT Cut-Fundamental |       |                                    |
| Calibration Load Capacitance                                                  | CL     | 18                 | pF    |                                    |
| Calibration Tolerance                                                         | FL     | ± 20               | ppm   | at 25°C±3°C                        |
| Operating Temperature Range                                                   | TR     | -40 to +85         | °C    |                                    |
| Frequency Stability(Frequency Deviation over the Operating Temperature Range) | F/T    | ± 30               | ppm   | Reference to the Frequency at 25°C |
| Operating Drive Level                                                         |        | 10                 | μW    |                                    |
| Maximum Drive Level                                                           |        | 100                | μW    |                                    |
| Equivalent Series Resistance                                                  | ESR    | 50                 | Ω     | Max.                               |
| Shunt Capacitance                                                             | C0     | 5                  | pF    | Max.                               |
| Aging at 25°C                                                                 |        | ± 3                | ppm   | Max, 1st year                      |
| Storage Temperature                                                           |        | -55 to +125        | °C    |                                    |
| Insulation Resistance                                                         |        | 500                | MΩ    | Min                                |

# TYPE F6 6x3.5 GLASS SEALED CRYSTAL

**F61600023**

VER.A 31-MAY-16

## RELIABILITY SPECIFICATIONS

### MECHANICAL AND ENVIRONMENTAL RATINGS:

- a) FINE LEAK TEST: JESD22-A109 (Condition 1A)
- b) GROSS LEAK TEST: JESD22-A109 (Condition C)
- c) MOISTURE RESISTANCE: JESD22-A113
- d) SHOCK: JESD22-B104 (Condition B)
- e) SOLDERABILITY : (RoHS version): J-STD-002
- f) VIBRATION: JESD22-B103
- g) SOLVENT RESISTANCE: JESD22-B107
- h) RESISTANCE TO SOLDERING HEAT (RoHS version): J-STD-020D Table 5.2 Pb free devices (3 cycles max)

## SUGGESTED IR REFLOW PROFILE

\*As per IPC-JEDEC J-STD-020D



Note:

|   | Stage        | Temperature | Time       |
|---|--------------|-------------|------------|
| A | Preheat      | 150~200°C   | 60~120 Sec |
| B | Primary Heat | 217°C       | 60~150 Sec |
| C | Peak         | 260°C       | 10 Sec     |

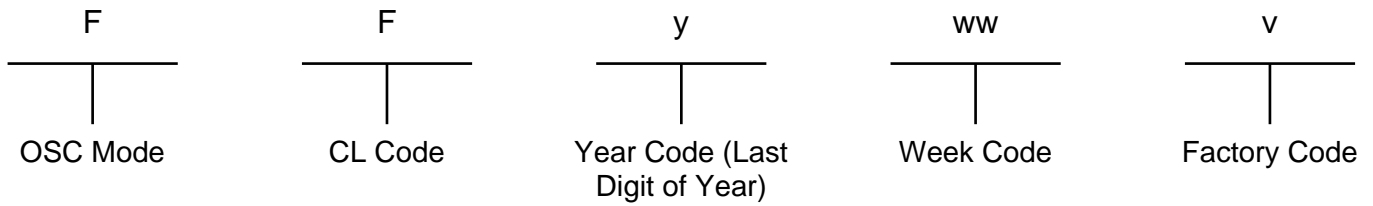
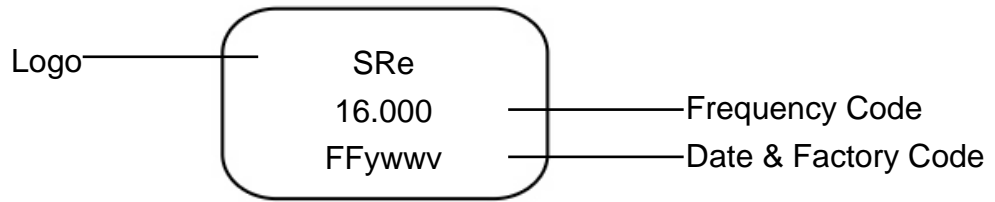
For soldering reflow profile and reliability test ratings go to: <http://www.pericom.com/pdf/sre/reflow.pdf>

# TYPE F6 6x3.5 GLASS SEALED CRYSTAL

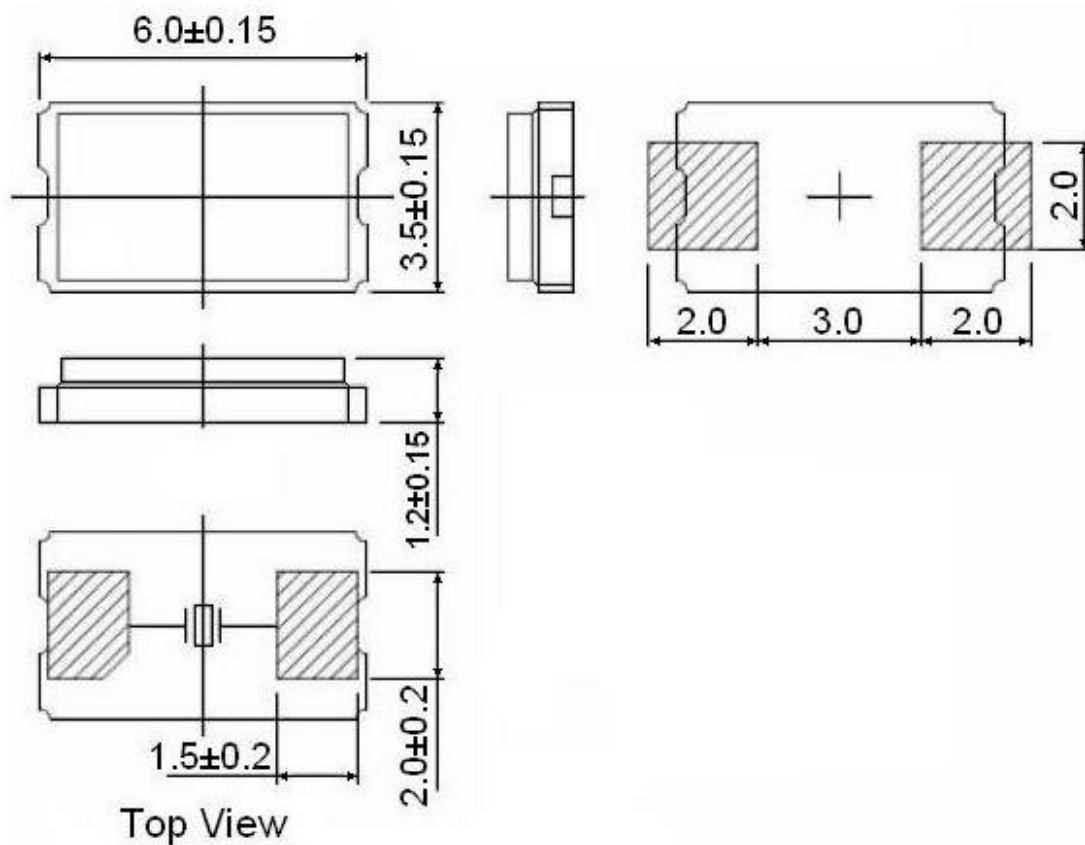
## F61600023

VER.A 31-MAY-16

### MARKING



### MECHANICAL DRAWINGS ( Scale: None. Dimensions are in mm.)

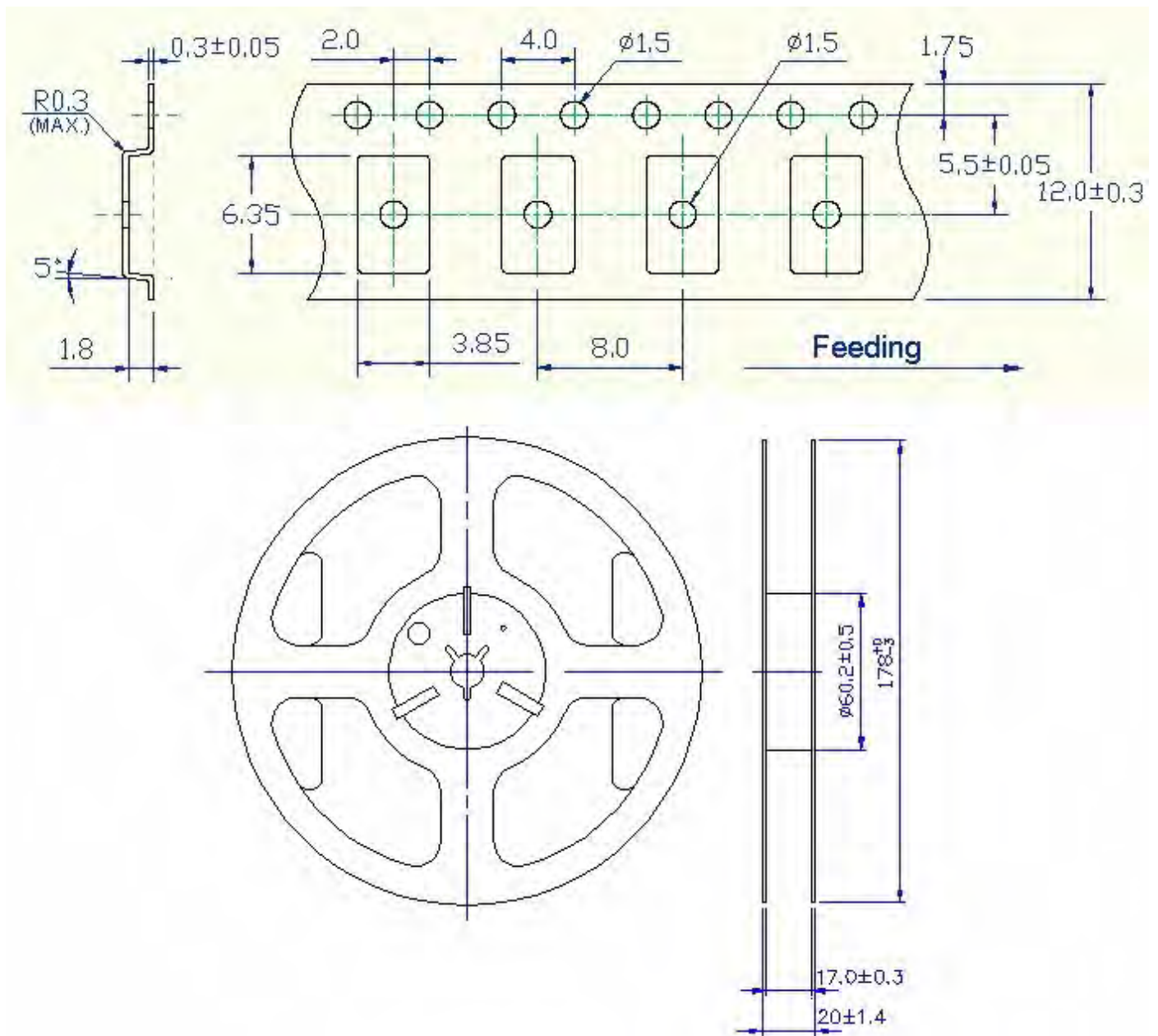


# TYPE F6 6x3.5 GLASS SEALED CRYSTAL

F61600023

VER.A 31-MAY-16

## Tape & Reel



1. 230mm minimum leader which consist of carrier and/or tape followed by a minimum of 160mm of empty carrier tape sealed with cover tape.
2. 160mm minimum trailer of empty carrier tape sealed with cover tape.

# TYPE F6 6x3.5 GLASS SEALED CRYSTAL

## F61600023

VER.A 31-MAY-16

### PACKING

