

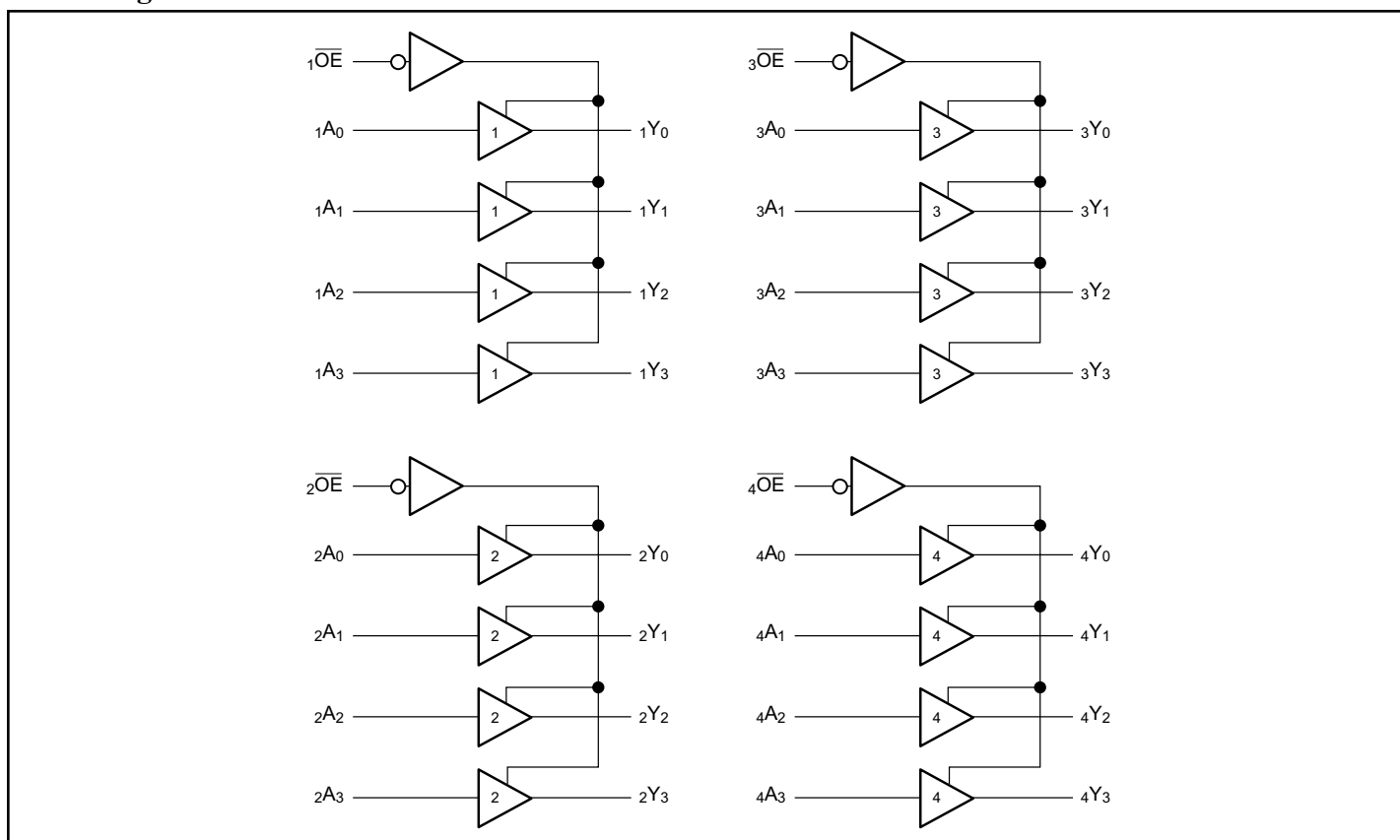
**Features**

- Compatible with LCX and LVT families of products
- Supports 5V Tolerant Mixed Signal Mode Operation
  - Input can be 3V or 5V
  - Output can be 3V or connected to 5V bus
- Advanced Low Power CMOS Operation
- Excellent output drive capability:
  - Balanced drives (24mA sink and source)
- Pin compatible with industry standard double-density pinouts
- Low ground bounce outputs
- Hysteresis on all inputs
- Industrial operating temperature range:  $-40^{\circ}\text{C}$  to  $+85^{\circ}\text{C}$
- Multiple center pins and distributed Vcc/GND pins minimize switching noise
- Packaging (Pb-free & Green):
  - 48-pin 240-mil wide thin plastic TSSOP (A)

**Description**

Pericom Semiconductor's PI74LPT16244 is a 16-bit buffer/line driver designed for driving high capacitive memory loads. With its balanced-drive characteristics, this high-speed, low power device provides lower ground bounce, transmission line matching of signals, fewer line reflections and lower EMI and RFI effects. This makes it ideal for driving on-board buses and transmission lines. This device is designed with three-state controls to operate in a Quad-Nibble, Dual-Byte, or a single 16-bit word mode.

The PI74LPT16244 can be driven from either 3.3V or 5.0V devices allowing this device to be used as a translator in a mixed 3.3/5.0V system.

**Block Diagram**


### Maximum Ratings

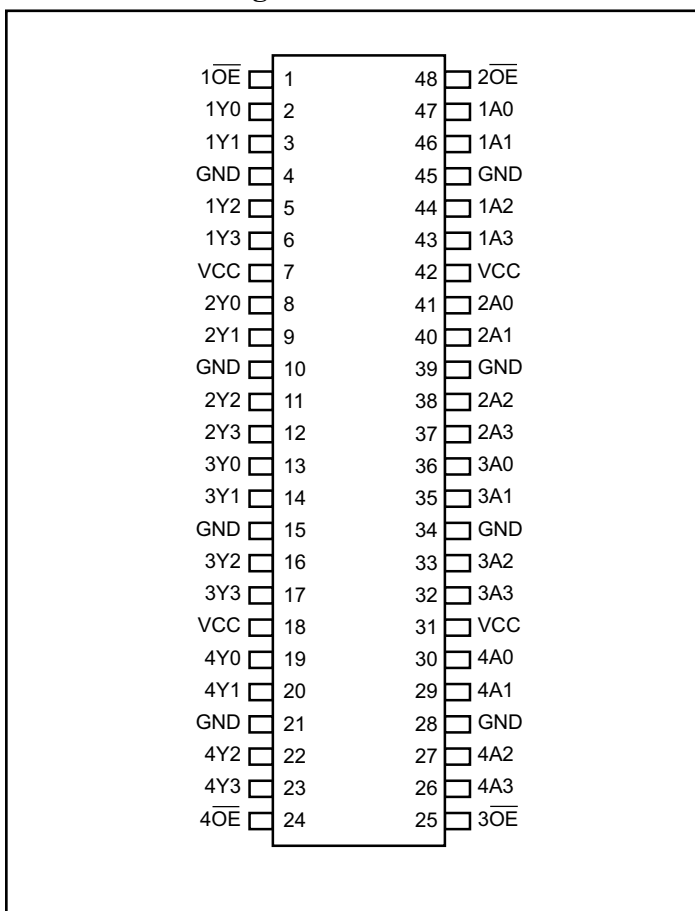
(Above which the useful life may be impaired. For user guidelines, not tested.)

Storage Temperature .....	-55°C to +125°C
Ambient Temperature with Power Applied .....	-40°C to +85°C
Supply Voltage to Ground Potential (Inputs & V <sub>CC</sub> Only).....	-0.5V to +7.0V
Supply Voltage to Ground Potential (Outputs & D/O Only) ..	-0.5V to +7.0V
DC Input Voltage .....	-0.5V to +7.0V
DC Output Current.....	120 mA
Power Dissipation.....	1.0W

**Note:**

Stresses greater than those listed under MAXIMUM RATINGS may cause permanent damage to the device. This is a stress rating only and functional operation of the device at these or any other conditions above those indicated in the operational sections of this specification is not implied. Exposure to absolute maximum rating conditions for extended periods may affect reliability.

### Product Pin Configuration



### Truth Table

Inputs <sup>(1)</sup>		Outputs <sup>(1)</sup>
x $\overline{OE}$	xAx	xYx
L	L	L
L	H	H
H	X	Z

**Notes:**

- H = High Voltage Level, X = Don't Care,  
L = Low Voltage Level, Z = High Impedance

### Product Pin Description

Pin Name	Description
x $\overline{OE}$	3-State Output Enable Inputs (Active LOW)
xAx	Inputs
xYx	3-State Outputs
GND	Ground
V <sub>CC</sub>	Power

**Capacitance** ( $T_A = 25^\circ\text{C}$ ,  $f = 1\text{ MHz}$ )

Parameters <sup>(1)</sup>	Description	Test Conditions	Typ	Max.	Units
$C_{IN}$	Input Capacitance	$V_{IN} = 0\text{V}$	3	6	pF
$C_{OUT}$	Output Capacitance	$V_{OUT} = 0\text{V}$	3	8	

**Notes:**

- This parameter is determined by device characterization but is not production tested.

**DC Electrical Characteristics** (Over the Operating Range,  $T_A = -40^\circ\text{C}$  to  $+85^\circ\text{C}$ ,  $V_{CC} = 2.7\text{V}$  to  $3.6\text{V}$ )

Parameters	Description	Test Conditions <sup>(1)</sup>		Min.	Typ <sup>(2)</sup>	Max.	Units	
$V_{IH}$	Input HIGH Voltage (Input pins)	Guaranteed Logic HIGH Level		2.2		5.5	V	
	Input HIGH Voltage (I/O pins)			2.0		5.5		
$V_{IL}$	Input LOW Voltage	Guaranteed Logic LOW Level		-0.5		0.8	V	
	(Input and I/O pins)							
$I_{IH}$	Input HIGH Current (Input pins)	$V_{CC} = \text{Max.}$	$V_{IN} = 5.5\text{V}$			$\pm 1$	$\mu\text{A}$	
	Input HIGH Current (I/O pins)	$V_{CC} = \text{Max.}$	$V_{IN} = V_{CC}$			$\pm 1$		
$I_{IL}$	Input LOW Current (Input pins)	$V_{CC} = \text{Max.}$	$V_{IN} = \text{GND}$			$\pm 1$	$\mu\text{A}$	
	Input LOW Current (I/O pins)	$V_{CC} = \text{Max.}$	$V_{IN} = \text{GND}$			$\pm 1$		
$I_{OZH}$	High Impedance Output Current	$V_{CC} = \text{Max.}$	$V_{OUT} = 5.5\text{V}$			$\pm 1$	$\mu\text{A}$	
$I_{OZL}$	(3-State Output pins)	$V_{CC} = \text{Max.}$	$V_{OUT} = \text{GND}$			$\pm 1$	$\mu\text{A}$	
$V_{IK}$	Clamp Diode Voltage	$V_{CC} = \text{Min.}, I_{IN} = -18\text{ mA}$			-0.7	-1.2	V	
$I_{OHD}$	Output HIGH Current	$V_{CC} = 3.3\text{V}, V_{IN} = V_{IH} \text{ or } V_{IL}, V_O = 1.5\text{V}^{(3)}$		-36	-60	-110	mA	
$I_{ODL}$	Output LOW Current	$V_{CC} = 3.3\text{V}, V_{IN} = V_{IH} \text{ or } V_{IL}, V_O = 1.5\text{V}^{(3)}$		50	90	200		
$V_{OH}$	Output HIGH Voltage	$V_{CC} = \text{Min.}$	$I_{OH} = -0.1\text{ mA}$	$V_{CC} - 0.2$			V	
		$V_{IN} = V_{IH} \text{ or } V_{IL}$	$I_{OH} = -3\text{ mA}$	2.4	3.0			
		$V_{CC} = 3.0\text{V},$	$I_{OH} = -8\text{ mA}$	2.4 <sup>(5)</sup>	3.0			
		$V_{IN} = V_{IH} \text{ or } V_{IL}$	$I_{OH} = -24\text{ mA}$	2.0				
$V_{OL}$	Output LOW Voltage	$V_{CC} = \text{Min.}$ $V_{IN} = V_{IH} \text{ or } V_{IL}$	$I_{OL} = 0.1\text{ mA}$			0.2	V	
			$I_{OL} = 16\text{ mA}$			0.2		0.4
			$I_{OL} = 24\text{ mA}$			0.3		0.5
$I_{OS}$	Short Circuit Current <sup>(4)</sup>	$V_{CC} = \text{Max.}^{(3)}, V_{OUT} = \text{GND}$		-60	-85	-240	mA	
$I_{OFF}$	Power Down Disable	$V_{CC} = 0\text{V}, V_{IN} \text{ or } V_{OUT} \leq 4.5\text{V}$				$\pm 100$	$\mu\text{A}$	

**Notes:**

- For Max. or Min. conditions, use appropriate value specified under Electrical Characteristics for the applicable device type.
- Typical values are at  $V_{CC} = 3.3\text{V}$ ,  $+25^\circ\text{C}$  ambient and maximum loading.
- Not more than one output should be shorted at one time. Duration of the test should not exceed one second.
- This parameter is guaranteed but not tested.
- $V_{OH} = V_{CC} - 0.6\text{V}$  at rated current.

**Power Supply Characteristics**

Parameters	Description	Test Conditions <sup>(1)</sup>		Min.	Typ <sup>(2)</sup>	Max.	Units
I <sub>CC</sub>	Quiescent Power Supply Current	V <sub>CC</sub> = Max.	V <sub>IN</sub> = GND or V <sub>CC</sub>		0.1	10	μA
ΔI <sub>CC</sub>	Quiescent Power Supply Current TTL Inputs HIGH	V <sub>CC</sub> = Max.	V <sub>IN</sub> = V <sub>CC</sub> - 0.6V <sup>(3)</sup>			500	
I <sub>CCD</sub>	Dynamic Power Supply <sup>(4)</sup>	V <sub>CC</sub> = Max., Outputs Open x $\overline{\text{OE}}$ = GND One Bit Toggling 50% Duty Cycle	V <sub>IN</sub> = V <sub>CC</sub> V <sub>IN</sub> = GND		50	75	μA/ MHz
I <sub>C</sub>	Total Power Supply Current <sup>(6)</sup>	V <sub>CC</sub> = Max., Outputs Open f <sub>i</sub> = 10 MHz 50% Duty Cycle x $\overline{\text{OE}}$ = GND One Bit Toggling	V <sub>IN</sub> = V <sub>CC</sub> - 0.6V V <sub>IN</sub> = GND		0.5	0.8	mA
		V <sub>CC</sub> = Max., Outputs Open f <sub>i</sub> = 2.5 MHz 50% Duty Cycle x $\overline{\text{OE}}$ = GND 16 Bits Toggling	V <sub>IN</sub> = V <sub>CC</sub> - 0.6V V <sub>IN</sub> = GND		2.0	3.3 <sup>(5)</sup>	

**Notes:**

- For Max. or Min. conditions, use appropriate value specified under Electrical Characteristics for the applicable device.
- Typical values are at V<sub>CC</sub> = 3.3V, +25°C ambient.
- Per TTL driven input; all other inputs at V<sub>CC</sub> or GND.
- This parameter is not directly testable, but is derived for use in Total Power Supply Calculations.
- Values for these conditions are examples of the I<sub>CC</sub> formula. These limits are guaranteed but not tested.
- $$I_C = I_{\text{QUIESCENT}} + I_{\text{INPUTS}} + I_{\text{DYNAMIC}}$$

$$I_C = I_{CC} + \Delta I_{CC} D_H N_T + I_{CCD} (f_{CP}/2 + f_i N_i)$$

$$I_{CC} = \text{Quiescent Current (I}_{CCL}, I_{CCH} \text{ and } I_{CCZ})$$

$$\Delta I_{CC} = \text{Power Supply Current for a TTL High Input}$$

$$D_H = \text{Duty Cycle for TTL Inputs High}$$

$$N_T = \text{Number of TTL Inputs at } D_H$$

$$I_{CCD} = \text{Dynamic Current Caused by an Input Transition Pair (HLH or LHL)}$$

$$f_{CP} = \text{Clock Frequency for Register Devices (Zero for Non-Register Devices)}$$

$$N_{CP} = \text{Number of Clock Inputs at } f_{CP}$$

$$f_i = \text{Input Frequency}$$

$$N_i = \text{Number of Inputs at } f_i$$

All currents are in milliamps and all frequencies are in megahertz.

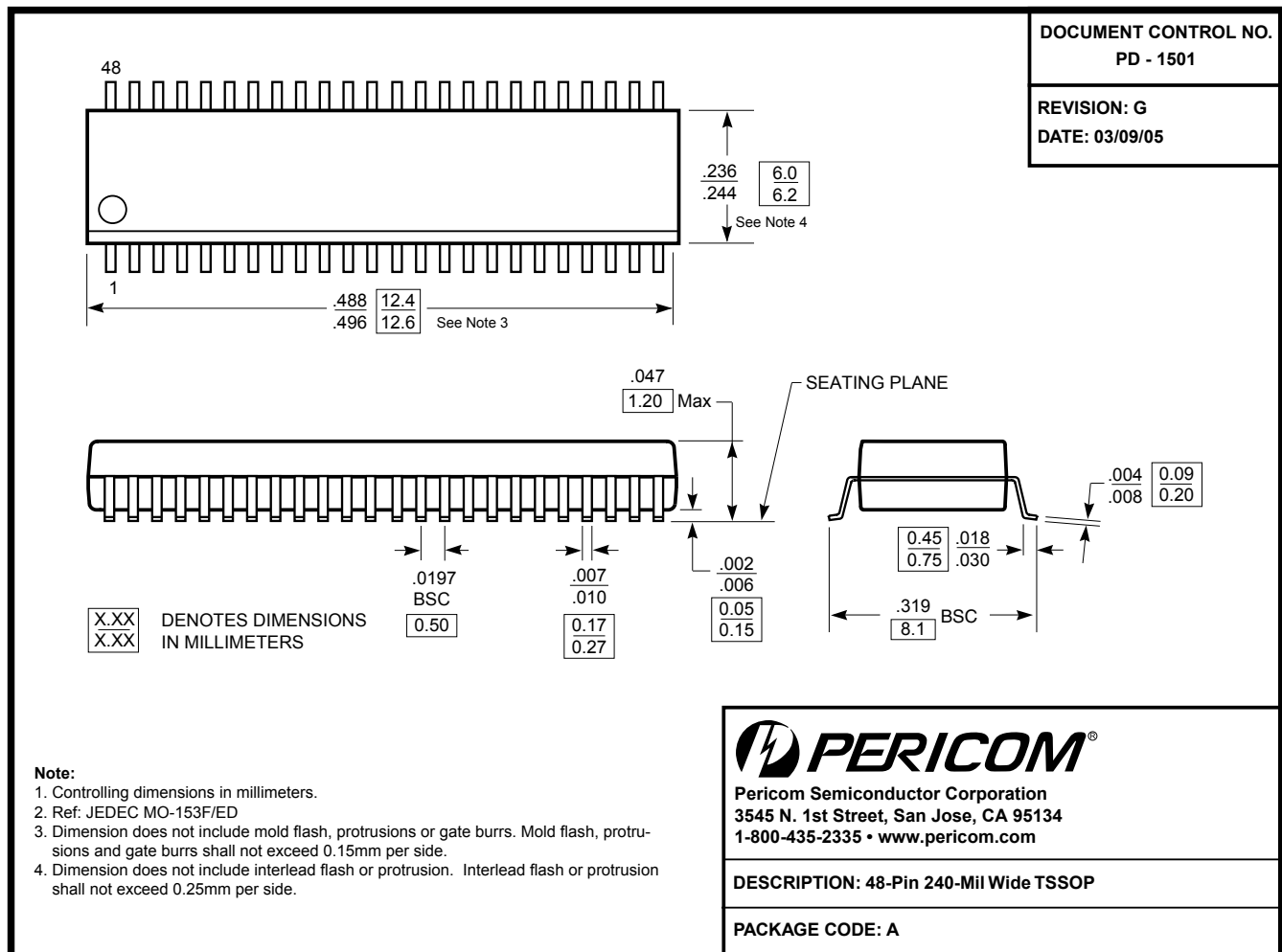
### Switching Characteristics over Operating Range<sup>(1)</sup>

Parameters	Description	Conditions	LPT16244		LPT16244A		LPT16244C		Units
			Com.		Com.		Com.		
			Min <sup>(2)</sup>	Max.	Min <sup>(2)</sup>	Max.	Min <sup>(2)</sup>	Max.	
t <sub>PLH</sub> t <sub>PHL</sub>	Propagation Delay xAX to xYx	C <sub>L</sub> = 50 pF R <sub>L</sub> = 500Ω	1.5	5.2	1.5	4.8	1.5	4.1	ns
t <sub>PZH</sub> t <sub>PZL</sub>	Output Enable Time xOE to xYx		1.5	7.0	1.5	6.2	1.5	5.8	
t <sub>PHZ</sub> t <sub>PLZ</sub>	Output Disable Time <sup>(3)</sup> xOE to xYx		1.5	7.0	1.5	5.6	1.5	5.2	
t <sub>SK(o)</sub>	Output Skew <sup>(4)</sup>			0.5		0.5		0.5	

#### Notes:

- Propagation Delays and Enable/Disable times are with V<sub>cc</sub> = 3.3V ±0.3V, normal range. For V<sub>cc</sub> = 2.7V, extended range, all Propagation Delays and Enable/Disable times should be degraded by 20%.
- Minimum limits are guaranteed but not tested on Propagation Delays.
- This parameter is guaranteed but not production tested.
- Skew between any two outputs, of the same package, switching in the same direction. This parameter is guaranteed by design.

### Packaging Mechanical: 48-pin TSSOP (A)



**Ordering Information**

Ordering Code	Package Code	Description
PI74LPT16244AE	A	Pb-free & Green, 48-pin 240 mil wide plastic TSSOP
PI74LPT16244AAE	A	Pb-free & Green, 48-pin 240 mil wide plastic TSSOP
PI74LPT16244CAE	A	Pb-free & Green, 48-pin 240 mil wide plastic TSSOP

**Notes:**

- Thermal characteristics can be found on the company web site at [www.pericom.com/packaging/](http://www.pericom.com/packaging/)
- E = Pb-free & Green
- Adding an X suffix = Tape/Reel