

## **AFL120XXS SERIES**

### **120V Input, Single Output**

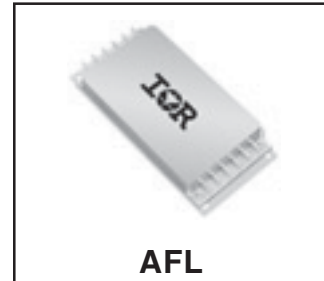
## **HYBRID-HIGH RELIABILITY DC/DC CONVERTER**

### **Description**

The AFL Series of DC/DC converters feature high power density with no derating over the full military temperature range. This series is offered as part of a complete family of converters providing single and dual output voltages and operating from nominal +28V, +50V, +120V or +270 V inputs with output power ranging from 80W to 120W. For applications requiring higher output power, multiple converters can be operated in parallel. The internal current sharing circuits assure equal current distribution among the paralleled converters. This series incorporates International Rectifier's proprietary magnetic pulse feedback technology providing optimum dynamic line and load regulation response. This feedback system samples the output voltage at the pulse width modulator fixed clock frequency, nominally 550KHz. Multiple converters can be synchronized to a system clock in the 500KHz to 700KHz range or to the synchronization output of one converter. Undervoltage lockout, primary and secondary referenced inhibit, soft-start and load fault protection are provided on all models.

These converters are hermetically packaged in two enclosure variations, utilizing copper core pins to minimize resistive DC losses. Three lead styles are available, each fabricated with International Rectifier's rugged ceramic lead-to-package seal assuring long term hermeticity in the most harsh environments.

Manufactured in a facility fully qualified to MIL-PRF-38534, these converters are fabricated utilizing DSCC qualified processes. For available screening options, refer to device screening table in the data sheet. Variations in electrical, mechanical and screening can be accommodated. Contact IR Santa Clara for special requirements.



### **Features**

- 80V To 160V Input Range
- 5, 7.5, 8, 9, 12, 15 and 28V Outputs Available
- High Power Density - up to 84W/in<sup>3</sup>
- Up To 120W Output Power
- Parallel Operation with Stress and Current Sharing
- Low Profile (0.380") Seam Welded Package
- Ceramic Feedthru Copper Core Pins
- High Efficiency - to 87%
- Full Military Temperature Range
- Continuous Short Circuit and Overload Protection
- Remote Sensing Terminals
- Primary and Secondary Referenced Inhibit Functions
- Line Rejection > 50dB - DC to 50KHz
- External Synchronization Port
- Fault Tolerant Design
- Dual Output Versions Available
- Standard Microcircuit Drawings Available

# AFL120XXS Series

## Specifications

Absolute Maximum Ratings	
Input voltage	-0.5V to +180VDC
Soldering temperature	300°C for 10 seconds
Operating case temperature	-55°C to +125°C
Storage case temperature	-65°C to +135°C

**Static Characteristics**  $-55^{\circ}\text{C} \leq T_{\text{CASE}} \leq +125^{\circ}\text{C}$ ,  $80\text{V} \leq V_{\text{IN}} \leq 160\text{V}$  unless otherwise specified.

Parameter	Group A Subgroups	Test Conditions	Min	Nom	Max	Unit	
<b>INPUT VOLTAGE</b>		Note 6	80	120	160	V	
<b>OUTPUT VOLTAGE</b>		$V_{\text{IN}} = 120$ Volts, 100% Load					
AFL12005S	1		4.95	5.00	5.05	V	
AFL12007R5S	1		7.42	7.50	7.58		
AFL12008S	1		7.92	8.00	8.08		
AFL12009S	1		8.91	9.00	9.09		
AFL12012S	1		11.88	12.00	12.12		
AFL12015S	1		14.85	15.00	15.15		
AFL12028S	1		27.72	28.00	28.28		
AFL12005S	2, 3		4.90		5.10		
AFL12007R5S	2, 3		7.35		7.65		
AFL12008S	2, 3		7.84		8.16		
AFL12009S	2, 3		8.82		9.18		
AFL12012S	2, 3		11.76		12.24		
AFL12015S	2, 3		14.70		15.30		
AFL12028S	2, 3		27.44		28.56		
<b>OUTPUT CURRENT</b>		$V_{\text{IN}} = 80, 120, 160$ Volts - Note 6					
AFL12005S			16.0				A
AFL12007R5S			10.67				
AFL12008S			10.0				
AFL12009S			10.0				
AFL12012S			9.0				
AFL12015S			8.0				
AFL12028S			4.0				
<b>OUTPUT POWER</b>		Note 6					
AFL12005S			80			W	
AFL12007R5S			80				
AFL12008S			80				
AFL12009S			90				
AFL12012S			108				
AFL12015S			120				
AFL12028S			112				
<b>MAXIMUM CAPACITIVE LOAD</b>		Note 1	10,000			$\mu\text{F}$	
<b>OUTPUT VOLTAGE TEMPERATURE COEFFICIENT</b>		$V_{\text{IN}} = 120$ Volts, 100% Load - Notes 1, 6	-0.015		+0.015	$\%/^{\circ}\text{C}$	
<b>OUTPUT VOLTAGE REGULATION</b>							
AFL12028S Line	1, 2, 3	No Load, 50% Load, 100% Load	-70		+70	mV	
All Others Line	1, 2, 3	$V_{\text{IN}} = 80, 120, 160$ Volts	-20		+20	mV	
Load	1, 2, 3		-1.0		+1.0	%	
<b>OUTPUT RIPPLE VOLTAGE</b>		$V_{\text{IN}} = 80, 120, 160$ Volts, 100% Load, BW = 10MHz					
AFL12005S	1, 2, 3				30	mVpp	
AFL12007R5S	1, 2, 3				40		
AFL12008S	1, 2, 3				40		
AFL12009S	1, 2, 3				40		
AFL12012S	1, 2, 3				45		
AFL12015S	1, 2, 3				50		
AFL12028S	1, 2, 3				100		

For Notes to Specifications, refer to page 4

**Static Characteristics (Continued)**

Parameter	Group A Subgroups	Test Conditions	Min	Nom	Max	Unit
<b>INPUT CURRENT</b>		$V_{IN} = 120$ Volts				
No Load	1	$I_{OUT} = 0$			20	mA
Inhibit 1	2, 3				25	
Inhibit 2	1, 2, 3	Pin 4 Shorted to Pin 2			5.0	
		Pin 12 Shorted to Pin 8			50	
<b>INPUT RIPPLE CURRENT</b>		$V_{IN} = 120$ Volts, 100% Load, BW = 10MHz				
AFL12005S	1, 2, 3				60	mApp
AFL12007R5S	1, 2, 3				60	
AFL12008S	1, 2, 3				60	
AFL12009S	1, 2, 3				60	
AFL12012S	1, 2, 3				60	
AFL12015S	1, 2, 3				60	
AFL12028S	1, 2, 3				60	
<b>CURRENT LIMIT POINT</b>		$V_{OUT} = 90\% V_{NOM}$ , $V_{IN} = 120$ Volts				
As a percentage of full rated load	1	Note 5	115		125	%
	2		105		115	
	3		125		140	
<b>LOAD FAULT POWER DISSIPATION</b>		$V_{IN} = 120$ Volts				
Overload or Short Circuit	1, 2, 3				32	W
<b>EFFICIENCY</b>		$V_{IN} = 120$ Volts, 100% Load				
AFL12005S	1, 2, 3		78	82		%
AFL12007R5S	1, 2, 3		79	83		
AFL12008S	1, 2, 3		79	73		
AFL12009S	1, 2, 3		80	84		
AFL12012S	1, 2, 3		82	85		
AFL12015S	1, 2, 3		83	87		
AFL12028S	1, 2, 3		82	85		
<b>ENABLE INPUTS (Inhibit Function)</b>						
Converter Off Sink Current	1, 2, 3	Logical Low on Pin 4 or Pin 12	-0.5		0.8	V
Converter On Sink Current	1, 2, 3	Note 1			100	$\mu$ A
		Logical High on Pin 4 and Pin 12 - Note 9	2.0		50	V
		Note 1			100	$\mu$ A
<b>SWITCHING FREQUENCY</b>	1, 2, 3		500	550	600	KHz
<b>SYNCHRONIZATION INPUT</b>						
Frequency Range	1, 2, 3		500		700	KHz
Pulse Amplitude, Hi	1, 2, 3		2.0		10	V
Pulse Amplitude, Lo	1, 2, 3		-0.5		0.8	V
Pulse Rise Time		Note 1			100	ns
Pulse Duty Cycle		Note 1	20		80	%
<b>ISOLATION</b>	1	Input to Output or Any Pin to Case (except Pin 3). Test @ 500VDC	100			M $\Omega$
<b>DEVICE WEIGHT</b>		Slight Variations with Case Style		85		g
<b>MTBF</b>		MIL-HDBK-217F, AIF @ $T_C = 70^\circ\text{C}$	300			KHrs

For Notes to Specifications, refer to page 4

**Dynamic Characteristics**  $-55^{\circ}\text{C} \leq T_{\text{CASE}} \leq +125^{\circ}\text{C}$ ,  $V_{\text{IN}}=120\text{V}$  unless otherwise specified.

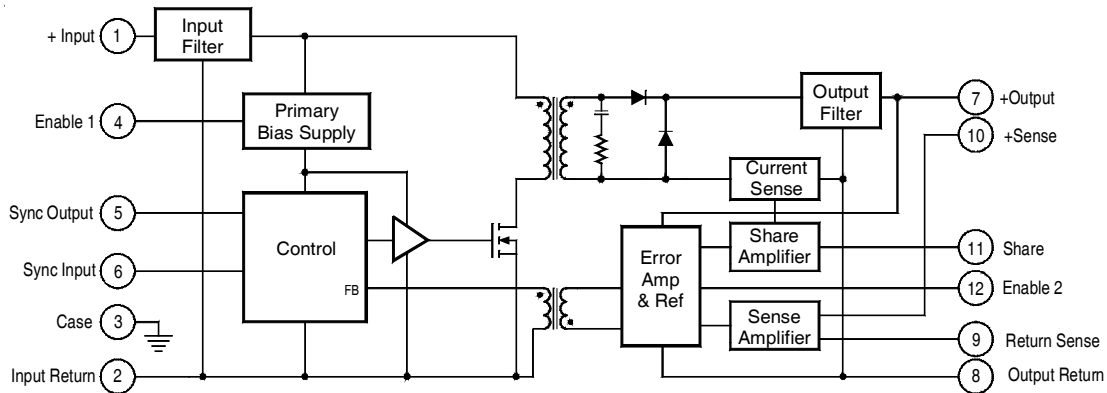
Parameter	Group A Subgroups	Test Conditions	Min	Nom	Max	Unit	
<b>LOAD TRANSIENT RESPONSE</b>		Note 2, 8					
AFL12005S	Amplitude Recovery	4, 5, 6 4, 5, 6	Load Step 50% ↔ 100%	-450	450 200	mV μs	
	Amplitude Recovery	4, 5, 6 4, 5, 6	Load Step 10% ↔ 50%	-450	450 300	mV μs	
AFL12007R5S	Amplitude Recovery	4, 5, 6 4, 5, 6	Load Step 50% ↔ 100%	-500	500 200	mV μs	
	Amplitude Recovery	4, 5, 6 4, 5, 6	Load Step 10% ↔ 50%	-500	500 300	mV μs	
AFL12009S	Amplitude Recovery	4, 5, 6 4, 5, 6	Load Step 50% ↔ 100%	-600	600 200	mV μs	
	Amplitude Recovery	4, 5, 6 4, 5, 6	Load Step 10% ↔ 50%	-600	600 300	mV μs	
AFL12012S	Amplitude Recovery	4, 5, 6 4, 5, 6	Load Step 50% ↔ 100%	-750	750 200	mV μs	
	Amplitude Recovery	4, 5, 6 4, 5, 6	Load Step 10% ↔ 50%	-750	750 300	mV μs	
AFL12015S	Amplitude Recovery	4, 5, 6 4, 5, 6	Load Step 50% ↔ 100%	-750	750 200	mV μs	
	Amplitude Recovery	4, 5, 6 4, 5, 6	Load Step 10% ↔ 50%	-750	750 300	mV μs	
AFL12028S	Amplitude Recovery	4, 5, 6 4, 5, 6	Load Step 50% ↔ 100%	-1200	1200 200	mV μs	
	Amplitude Recovery	4, 5, 6 4, 5, 6	Load Step 10% ↔ 50%	-1200	1200 300	mV μs	
<b>LINE TRANSIENT RESPONSE</b>		Note 1, 2, 3					
	Amplitude Recovery		$V_{\text{IN}}$ Step = 80 ↔ 160 Volts	-500	500 500	mV μs	
<b>TURN-ON CHARACTERISTICS</b>							
	Overshoot Delay	4, 5, 6 4, 5, 6	$V_{\text{IN}} = 30, 50, 80$ Volts. Note 4 Enable 1, 2 on. (Pins 4, 12 high or open)	50	75	250 120	mV ms
<b>LOAD FAULT RECOVERY</b>			Same as Turn On Characteristics.				
<b>LINE REJECTION</b>			MIL-STD-461D, CS101, 30Hz to 50KHz Note 1	60	70		dB

Notes to Specifications:

- Parameters not 100% tested but are guaranteed to the limits specified in the table.
- Recovery time is measured from the initiation of the transient to where  $V_{\text{OUT}}$  has returned to within  $\pm 1.0\%$  of  $V_{\text{OUT}}$  at 50% load.
- Line transient transition time  $\geq 100\mu\text{s}$ .
- Turn-on delay is measured with an input voltage rise time of between 100V and 500V per millisecond.
- Current limit point is that condition of excess load causing output voltage to drop to 90% of nominal.
- Parameter verified as part of another test.
- All electrical tests are performed with the remote sense leads connected to the output leads at the load.
- Load transient transition time  $\geq 10\mu\text{s}$ .
- Enable inputs internally pulled high. Nominal open circuit voltage  $\approx 4.0\text{VDC}$ .

**Block Diagram**

Figure I. AFL Single Output



**Circuit Operation and Application Information**

The AFL series of converters employ a forward switched mode converter topology. (refer to Figure I.) Operation of the device is initiated when a DC voltage whose magnitude is within the specified input limits is applied between pins 1 and 2. If pin 4 is enabled (at a logical 1 or open) the primary bias supply will begin generating a regulated housekeeping voltage bringing the circuitry on the primary side of the converter to life. A power MOSFET is used to chop the DC input voltage into a high frequency square wave, applying this chopped voltage to the power transformer at the nominal converter switching frequency. Maintaining a DC voltage within the specified operating range at the input assures continuous generation of the primary bias voltage.

The switched voltage impressed on the secondary output transformer winding is rectified and filtered to generate the converter DC output voltage. An error amplifier on the secondary side compares the output voltage to a precision reference and generates an error signal proportional to the difference. This error signal is magnetically coupled through the feedback transformer into the controller section of the converter varying the pulse width of the square wave signal driving the MOSFET, narrowing the width if the output voltage is too high and widening it if it is too low, thereby regulating the output voltage.

**Remote Sensing**

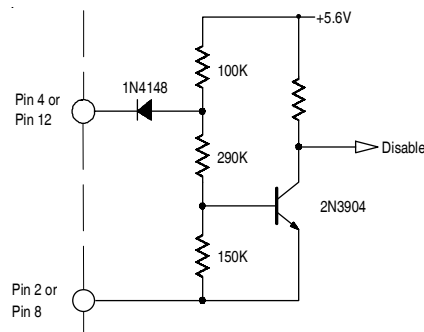
Connection of the + and - sense leads at a remotely located load permits compensation for excessive resistance between the converter output and the load when their physical separation could cause undesirable voltage drop. This connection allows regulation to the placard voltage at the point of application. When the remote sensing feature is not used, the sense should be connected to their respective

output terminals at the converter. Figure III. illustrates a typical remotely sensed application.

**Inhibiting Converter Output (Enable)**

As an alternative to application and removal of the DC voltage to the input, the user can control the converter output by providing TTL compatible, positive logic signals to either of two enable pins (pin 4 or 12). The distinction between these two signal ports is that enable 1 (pin 4) is referenced to the input return (pin 2) while enable 2 (pin 12) is referenced to the output return (pin 8). Thus, the user has access to an inhibit function on either side of the isolation barrier. Each port is internally pulled "high" so that when not used, an open connection on both enable pins permits normal converter operation. When their use is desired, a logical "low" on either port will shut the converter down.

Figure II. Enable Input Equivalent Circuit



Internally, these ports differ slightly in their function. In use, a low on Enable 1 completely shuts down all circuits in the converter while a low on Enable 2 shuts down the secondary side while altering the controller duty cycle to near zero. Externally, the use of either port is transparent to the user save for minor differences in idle current. (See specification table).

**Synchronization of Multiple Converters**

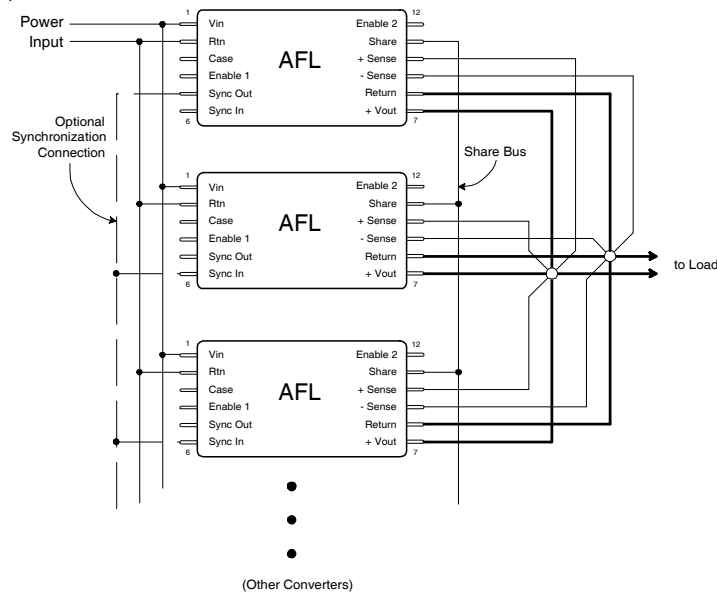
When operating multiple converters, system requirements often dictate operation of the converters at a common frequency. To accommodate this requirement, the AFL series converters provide both a synchronization input and output.

The sync input port permits synchronization of an AFL converter to any compatible external frequency source operating between 500KHz and 700KHz. This input signal should be referenced to the input return and have a 10% to 90% duty cycle. Compatibility requires transition times less

than 100ns, maximum low level of +0.8V and a minimum high level of +2.0V. The sync output of another converter which has been designated as the master oscillator provides a convenient frequency source for this mode of operation. When external synchronization is not required, the sync in pin should be left unconnected thereby permitting the converter to operate at its' own internally set frequency.

The sync output signal is a continuous pulse train set at 550 ±50KHz, with a duty cycle of 15 ±5.0%. This signal is referenced to the input return and has been tailored to be compatible with the AFL sync input port. Transition times are less than 100ns and the low level output impedance is less than 50Ω. This signal is active when the DC input voltage is within the specified operating range and the converter is not inhibited. This output has adequate drive reserve to synchronize at least five additional converters. A typical synchronization connection option is illustrated in Figure III.

Figure III. Preferred Connection for Parallel Operation



**Parallel Operation-Current and Stress Sharing**

Figure III. illustrates the preferred connection scheme for operation of a set of AFL converters with outputs operating in parallel. Use of this connection permits equal sharing of a load current exceeding the capacity of an individual AFL among the members of the set. An important feature of the

AFL series operating in the parallel mode is that in addition to sharing the current, the stress induced by temperature will also be shared. Thus if one member of a paralleled set is operating at a higher case temperature, the current it provides to the load will be reduced as compensation for the temperature induced stress on that device.

When operating in the shared mode, it is important that symmetry of connection be maintained as an assurance of optimum load sharing performance. Thus, converter outputs should be connected to the load with equal lengths of wire of the same gauge and sense leads from each converter should be connected to a common physical point, preferably at the load along with the converter output and return leads. All converters in a paralleled set must have their share pins connected together. This arrangement is diagrammatically illustrated in Figure III. showing the outputs and sense pins connected at a star point which is located close as possible to the load.

As a consequence of the topology utilized in the current sharing circuit, the share pin may be used for other functions. In applications requiring a single converter, the voltage appearing on the share pin may be used as a "current monitor". The share pin open circuit voltage is nominally +1.00V at no load and increases linearly with increasing output current to +2.20V at full load. The share pin voltage is referenced to the output return pin.

### Thermal Considerations

Because of the incorporation of many innovative technological concepts, the AFL series of converters is capable of providing very high output power from a package of very small volume. These magnitudes of power density can only be obtained by combining high circuit efficiency with effective methods of heat removal from the die junctions. This requirement has been effectively addressed inside the device; but when operating at maximum loads, a significant amount of heat will be generated and this heat must be conducted away from the case. To maintain the case temperature at or below the specified maximum of 125°C, this heat must be transferred by conduction to an appropriate heat dissipater held in intimate contact with the converter base-plate.

Because effectiveness of this heat transfer is dependent on the intimacy of the baseplate/heatsink interface, it is strongly recommended that a high thermal conductivity heat transference medium is inserted between the baseplate and heatsink. The material most frequently utilized at the factory during all testing and burn-in processes is sold under the trade name of Sil-Pad® 400<sup>1</sup>. This particular product is an insulator but electrically conductive versions are also available. Use of these materials assures maximum surface contact with the heat dissipator thereby compensating for minor variations of either surface. While other available types of heat conductive materials and compounds may provide similar performance, these alternatives are often less convenient and are frequently messy to use.

<sup>1</sup>Sil-Pad is a registered Trade Mark of Bergquist, Minneapolis, MN

A conservative aid to estimating the total heat sink surface area (A<sub>HEAT SINK</sub>) required to set the maximum case temperature rise (ΔT) above ambient temperature is given by the following expression:

$$A_{\text{HEAT SINK}} \approx \left\{ \frac{\Delta T}{80P^{0.85}} \right\}^{-1.43} - 3.0$$

where

ΔT = Case temperature rise above ambient

$$P = \text{Device dissipation in Watts} = P_{\text{out}} \left\{ \frac{1}{\text{Eff}} - 1 \right\}$$

As an example, it is desired to maintain the case temperature of this device at ± 85°C in an area where the ambient temperature is held at a constant +25°C; then

$$\Delta T = 85 - 25 = 60^\circ\text{C}$$

From the Specification Table, the worst case full load efficiency for this device is 83%; therefore the power dissipation at full load is given by

$$P = 120 \cdot \left\{ \frac{1}{.83} - 1 \right\} = 120 \cdot (0.205) = 24.6\text{W}$$

and the required heat sink area is

$$A_{\text{HEAT SINK}} = \left\{ \frac{60}{80 \cdot 24.6^{0.85}} \right\}^{-1.43} - 3.0 = 71 \text{ in}^2$$

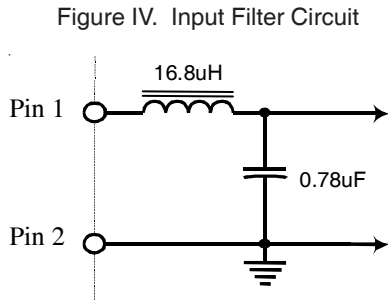
Thus, a total heat sink surface area (including fins, if any) of 71 in<sup>2</sup> in this example, would limit case rise to 60°C above ambient. A flat aluminum plate, 0.25" thick and of approximate dimension 4" by 9" (36 in<sup>2</sup> per side) would suffice for this application in a still air environment. Note that to meet the criteria in this example, both sides of the plate require unrestricted exposure to the ambient air.

## AFL120XXS Series

International  
IRF Rectifier

### Input Filter

The AFL120XXS series converters incorporate a LC input filter whose elements dominate the input load impedance characteristic at turn-on. The input circuit is as shown in Figure IV.



### Undervoltage Lockout

A minimum voltage is required at the input of the converter to initiate operation. This voltage is set to  $74V \pm 4.0V$ . To preclude the possibility of noise or other variations at the input falsely initiating and halting converter operation, a hysteresis of approximately 7.0V is incorporated in this circuit. Thus if the input voltage droops to  $67V \pm 4.0V$ , the converter will shut down and remain inoperative until the input voltage returns to  $\approx 74V$ .

### Output Voltage Adjust

In addition to permitting close voltage regulation of remotely located loads, it is possible to utilize the converter sense pins to incrementally increase the output voltage over a limited range. The adjustments made possible by this method are intended as a means to "trim" the output to a voltage setting for some particular application, but are not intended to create an adjustable output converter. These output voltage setting variations are obtained by connecting an appropriate resistor value between the +sense and -sense pins while connecting the -sense pin to the output return pin as shown in Figure V. below. The range of adjustment and corresponding range of resistance values can be determined by use of the following equation.

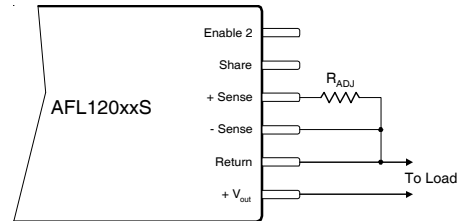
$$R_{adj} = 100 \cdot \left\{ \frac{V_{NOM}}{V_{OUT} - V_{NOM} - .025} \right\}$$

Where  $V_{NOM}$  = device nominal output voltage, and

$V_{OUT}$  = desired output voltage

Finding a resistor value for a particular output voltage, is simply a matter of substituting the desired output voltage and the nominal device voltage into the equation and solving for the corresponding resistor value.

Figure V. Connection for  $V_{OUT}$  Adjustment



Note:  $R_{adj}$  must be set  $\geq 500\Omega$

Attempts to adjust the output voltage to a value greater than 120% of nominal should be avoided because of the potential of exceeding internal component stress ratings and subsequent operation to failure. Under no circumstance should the external setting resistor be made less than 500 $\Omega$ . By remaining within this specified range of values, completely safe operation fully within normal component derating limits is assured.

Examination of the equation relating output voltage and resistor value reveals a special benefit of the circuit topology utilized for remote sensing of output voltage in the AFL120XXS series of converters. It is apparent that as the resistance increases, the output voltage approaches the nominal set value of the device. In fact the calculated limiting value of output voltage as the adjusting resistor becomes very large is  $\approx 25mV$  above nominal device voltage.

The consequence is that if the +sense connection is unintentionally broken, an AFL120XXS has a fail-safe output voltage of  $V_{out} + 25mV$ , where the 25mV is independent of the nominal output voltage. It can be further demonstrated that in the event of both the + and - sense connections being broken, the output will be limited to  $V_{out} + 440mV$ . This 440mV is also essentially constant independent of the nominal output voltage.



**General Application Information**

The AFL120XXS series of converters are capable of providing large transient currents to user loads on demand. Because the nominal input voltage range in this series is relatively low, the resulting input current demands will be correspondingly large. It is important therefore, that the line impedance be kept very low to prevent steady state and transient input currents from degrading the supply voltage between the voltage source and the converter input. In applications requiring high static currents and large transients, it is recommended that the input leads be made of adequate size to minimize resistive losses, and that a good quality capacitor of approximately 100 $\mu$ F be connected directly across the input terminals to assure an adequately low impedance at the input terminals. Table I relates nominal resistance values and selected wire sizes.

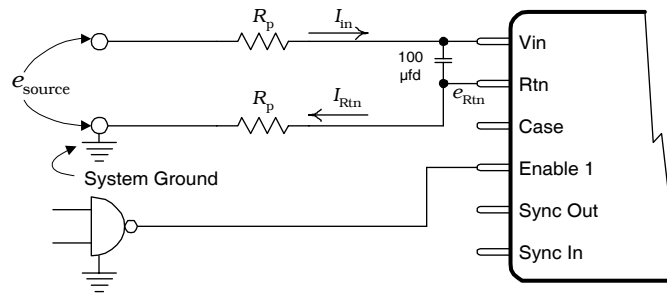
**Table 1. Nominal Resistance of Cu Wire**

Wire Size, AWG	Resistance per ft
24 Ga	25.7 m $\Omega$
22 Ga	16.2 m $\Omega$
20 Ga	10.1 m $\Omega$
18 Ga	6.4 m $\Omega$
16 Ga	4.0 m $\Omega$
14 Ga	2.5 m $\Omega$
12 Ga	1.6 m $\Omega$

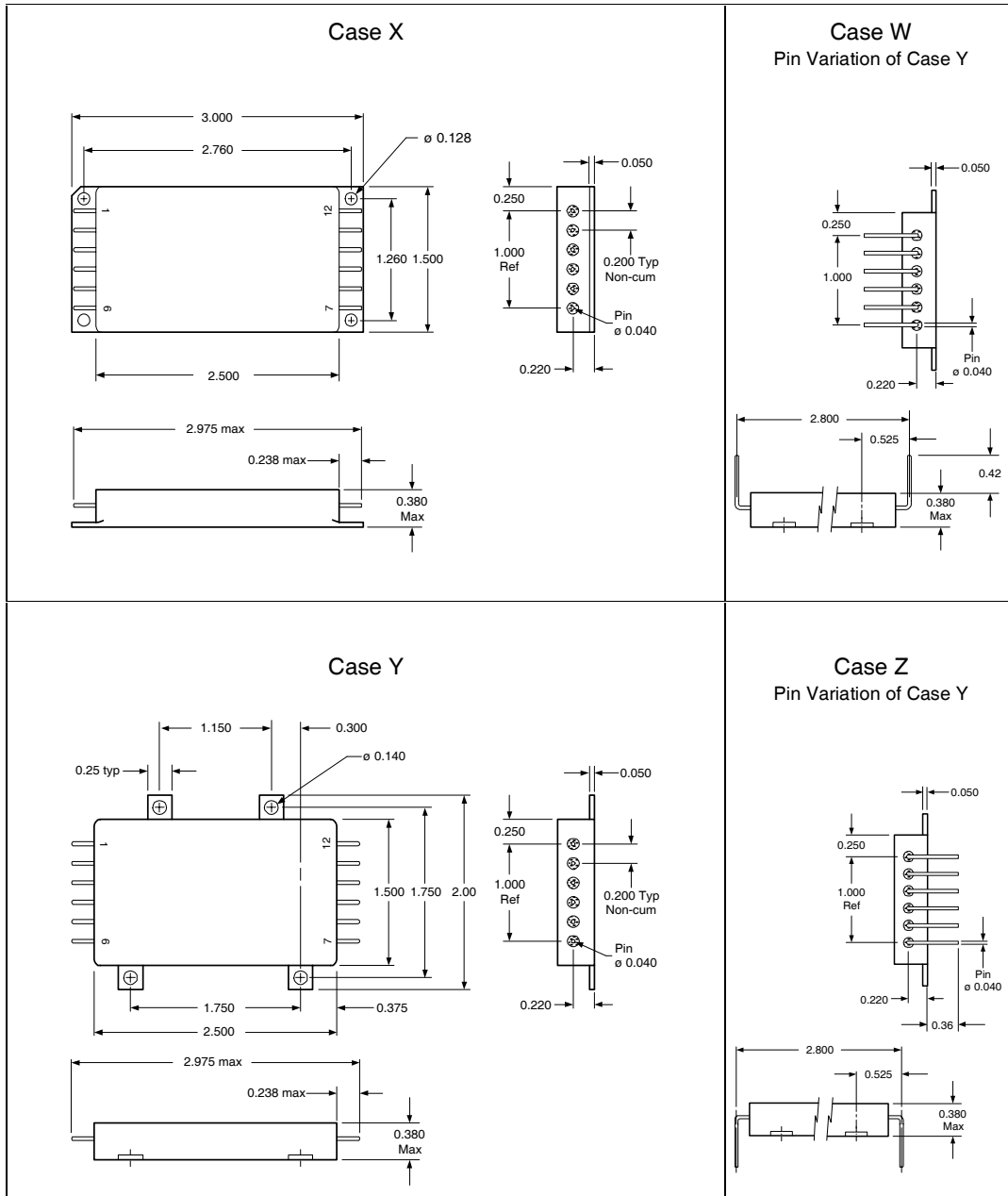
Incorporation of a 100 $\mu$ F capacitor at the input terminals is recommended as compensation for the dynamic effects of the parasitic resistance of the input cable reacting with the complex impedance of the converter input, and to provide an energy reservoir for transient input current requirements.

**Figure VI. Problems of Parasitic Resistance in input Leads**

(See text)



Mechanical Outlines



Tolerances, unless otherwise specified: .XX =  $\pm 0.010$

.XXX =  $\pm 0.005$

**BERYLLIA WARNING:** These converters are hermetically sealed; however they contain BeO substrates and should not be ground or subjected to any other operations including exposure to acids, which may produce Beryllium dust or fumes containing Beryllium

**Pin Designation**

<b>Pin #</b>	<b>Designation</b>
1	+ Input
2	Input Return
3	Case Ground
4	Enable 1
5	Sync Output
6	Sync Input
7	+ Output
8	Output Return
9	Return Sense
10	+ Sense
11	Share
12	Enable 2

**Standard Microcircuit Drawing Equivalence Table**

<b>Standard Microcircuit Drawing Number</b>	<b>IR Standard Part Number</b>
5962-99608	AFL12005S
5962-02549	AFL12008S
5962-02550	AFL12009S
5962-02551	AFL12012S
5962-02552	AFL12015S
5962-02553	AFL12028S

**Device Screening**

Requirement	MIL-STD-883 Method	No Suffix	ES ②	HB	CH
Temperature Range	—	-20°C to +85°C	-55°C to +125°C ③	-55°C to +125°C	-55°C to +125°C
Element Evaluation	MIL-PRF-38534	N/A	N/A	N/A	Class H
Non-Destructive Bond Pull	2023	N/A	N/A	N/A	N/A
Internal Visual	2017	①	Yes	Yes	Yes
Temperature Cycle	1010	N/A	Cond B	Cond C	Cond C
Constant Acceleration	2001, Y1 Axis	N/A	500 Gs	3000 Gs	3000 Gs
PIND	2020	N/A	N/A	N/A	N/A
Burn-In	1015	N/A	48 hrs@hi temp	160 hrs@125°C	160 hrs@125°C
Final Electrical ( Group A )	MIL-PRF-38534 & Specification	25°C	25°C ②	-55°C, +25°C, +125°C	-55°C, +25°C, +125°C
PDA	MIL-PRF-38534	N/A	N/A	N/A	10%
Seal, Fine and Gross	1014	Cond A	Cond A, C	Cond A, C	Cond A, C
Radiographic	2012	N/A	N/A	N/A	N/A
External Visual	2009	①	Yes	Yes	Yes

Notes:

- ① Best commercial practice
- ② Sample tests at low and high temperatures
- ③ -55°C to +105°C for AHE, ATO, ATW

**Part Numbering**

