

Overview

KEMET's ESG Series of single-ended aluminum electrolytic capacitors are designed for long life (5,000 hours) and high reliability applications.

Applications

Typical applications include electronic ballast and long-life equipment.

Benefits

- Suited for long life, high reliability applications
- Operating temperature of up to +105°C
- 5,000 hour operating life
- Case with $\varnothing D \geq 6.3$ mm
- Safety vent on the capacitor base



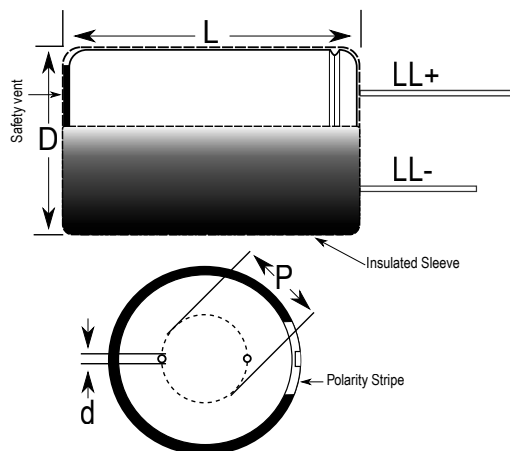
Part Number System

ESG	336	M	160	A	H4	AA
Series	Capacitance Code (pF)	Tolerance	Rated Voltage (VDC)	Electrical Parameters	Size Code	Packaging
Single-Ended Aluminum Electrolytic	Digits 4 – 5 represent the first two digits of the capacitance value. The final digit indicates the number of zeros to be added.	M = $\pm 20\%$	160 = 160 200 = 200 250 = 250 350 = 350 400 = 400 450 = 405	A = Standard	See Dimension Table	See Ordering Options Table

Ordering Options Table

Diameter	Packaging Type	Lead Type	Lead Length (mm)	Lead and Packaging Code
Standard Bulk Packaging Options				
4 – 22	Bulk (bag)	Straight	20/15 Minimum	AA
Standard Auto-Insertion Packaging Options				
4 – 5	Tape & Reel	Formed to 2.5 mm	$H_0 = 16.5 \pm 0.75$	LA
6.3	Tape & Reel	2.5 mm Lead Spacing	$H_0 = 18.5 \pm 0.75$	KA
8	Tape & Reel	Formed to 5 mm	$H_0 = 16.5 \pm 0.75$	JA
10 – 13	Ammo	5 mm Lead Spacing	$H_0 = 18.5 \pm 0.75$	EA
16	Ammo	7.5 mm Lead Spacing	$H_0 = 18.5 \pm 0.75$	EA
Other Packaging Options				
4 – 8	Ammo	Formed to 5 mm	$H_0 = 16.5 \pm 0.75$	DA
4 – 8	Ammo	Straight	$H_0 = 18.5 \pm 0.75$	EA
4 – 5	Ammo	Formed to 2.5 mm	$H_0 = 16.5 \pm 0.75$	FA
4 – 6.3	Tape & Reel	Formed to 5 mm	$H_0 = 16.5 \pm 0.75$	JA
4 – 5, 8 – 16	Tape & Reel	Straight	$H_0 = 18.5 \pm 0.75$	KA
Contact KEMET for other Lead and Packaging options				

Dimensions – Millimeters



Size Code	D		L		p		d		LL+/LL-	
	Nominal	Tolerance	Nominal	Tolerance	Nominal	Tolerance	Nominal	Tolerance	Nominal	Tolerance
H1	10	± 0.5	12	$+1.5/-0$	5	± 0.5	0.6	Nominal	20/15	Minimum
H2	10	± 0.5	15	$+2.0/-0$	5	± 0.5	0.6	Nominal	20/15	Minimum
H4	10	± 0.5	20	$+2.0/-0$	5	± 0.5	0.6	Nominal	20/15	Minimum
L3	13	± 0.5	20	$+2.0/-0$	5	± 0.5	0.6	Nominal	20/15	Minimum
L4	13	± 0.5	25	$+2.0/-0$	5	± 0.5	0.6	Nominal	20/15	Minimum
M5	16	± 0.5	20	$+2.0/-0$	7.5	± 0.5	0.8	Nominal	20/15	Minimum
M7	16	± 0.5	25	$+2.0/-0$	7.5	± 0.5	0.8	Nominal	20/15	Minimum
M2	16	± 0.5	32	$+2.0/-0$	7.5	± 0.5	0.8	Nominal	20/15	Minimum
N4	18	± 0.5	20	$+2.0/-0$	7.5	± 0.5	0.8	Nominal	20/15	Minimum
N5	18	± 0.5	25	$+2.0/-0$	7.5	± 0.5	0.8	Nominal	20/15	Minimum
N1	18	± 0.5	32	$+2.0/-0$	7.5	± 0.5	0.8	Nominal	20/15	Minimum
N2	18	± 0.5	36	$+2.0/-0$	7.5	± 0.5	0.8	Nominal	20/15	Minimum
N3	18	± 0.5	40	$+2.0/-0$	7.5	± 0.5	0.8	Nominal	20/15	Minimum
Q4	22	± 0.5	40	$+2.0/-0$	10.0	± 0.5	0.8	Nominal	20/15	Minimum

Performance Characteristics

Item	Performance Characteristics	
Capacitance Range	3.3 – 330 μ F	
Capacitance Tolerance	\pm 20% at 120 Hz / 20°C	
Rated Voltage	160 – 400 VDC	450 VDC
Life Test	5,000 hours (see conditions in Test Methods & Performance)	
Operating Temperature	-40°C to +105°C	-25°C to +85°C
Leakage Current	$I = 0.06 CV (\mu A) + 10 \mu A$	
	C = rated capacitance (μ F), V = rated voltage (VDC). Voltage applied for 2 minutes at 20°C.	

Impedance Z Characteristics at 120 Hz

Rated Voltage (VDC)	160	200	250	350	400	450
Z (-25°C) / Z (20°C)	3	3	3	5	5	6
Z (-40°C) / Z (20°C)	6	6	6	6	6	

Compensation Factor of Ripple Current (RC) vs. Frequency

Frequency	50 to 60 Hz	120 Hz	300 Hz	1 kHz	10 to 100 kHz
Coefficient	0.80	1.00	1.20	1.40	1.60

Compensation Factor of Ripple Current (RC) vs. Temperature

Temperature	65°C	85°C	105°C
Coefficient	1.70	1.40	1.00

Test Method & Performance

Conditions	Load Life Test	Shelf Life Test
Temperature	105°C	105°C
Test Duration	5,000 hours	1,000 hours
Ripple Current	Maximum ripple current specified at 120 Hz 105°C	No ripple current applied
Voltage	The sum of DC voltage and the peak AC voltage must not exceed the rated voltage of the capacitor	No voltage applied
Performance	The following specifications will be satisfied when the capacitor is restored to 20°C:	
Capacitance Change	Within $\pm 20\%$ of the initial value	
Dissipation Factor	Does not exceed 200% of the specified value	
Leakage Current	Does not exceed specified value	

Environmental Compliance

As an environmentally conscious company, KEMET is working continuously with improvements concerning the environmental effects of both our capacitors and their production. In Europe (RoHS Directive) and in some other geographical areas like China, legislation has been put in place to prevent the use of some hazardous materials, such as lead (Pb), in electronic equipment. All products in this catalog are produced to help our customers' obligations to guarantee their products and fulfill these legislative requirements. The only material of concern in our products has been lead (Pb), which has been removed from all designs to fulfill the requirement of containing less than 0.1% of lead in any homogeneous material. KEMET will closely follow any changes in legislation world wide and makes any necessary changes in its products, whenever needed.

Some customer segments such as medical, military and automotive electronics may still require the use of lead in electrode coatings. To clarify the situation and distinguish products from each other, a special symbol is used on the packaging labels for RoHS compatible capacitors.

Because of customer requirements, there may appear additional markings such as LF = Lead Free or LFW = Lead Free Wires on the label.



RoHS Compliant

Table 1 – Ratings & Part Number Reference

VDC	VDC Surge Voltage	Rated Capacitance 120 Hz 20°C (µF)	Case Size D x L (mm)	DF 120 Hz 20°C (tan δ %)*	Z 100 kHz 25°C (Ω)	RC 100 kHz 105°C (mA)	LC 20°C 2 Minutes (µA)	Part Number
160	200	33	10 x 20	15	1.3	210	327	ESG336M160AH4(1)
160	200	47	13 x 20	15	0.95	260	461	ESG476M160AL3(1)
160	200	68	13 x 25	15	0.6	360	663	ESG686M160AL4(1)
160	200	68	16 x 20	15	0.55	430	663	ESG686M160AM5(1)
160	200	100	16 x 25	15	0.3	475	970	ESG107M160AM7(1)
160	200	100	18 x 20	15	0.31	465	970	ESG107M160AN4(1)
160	200	150	16 x 32	15	0.22	650	1450	ESG157M160AM2(1)
160	200	150	18 x 25	15	0.24	625	1450	ESG157M160AN5(1)
160	200	220	16 x 32	15	0.22	750	2122	ESG227M160AM2(1)
160	200	220	18 x 25	15	0.24	725	2122	ESG227M160AN5(1)
160	200	330	18 x 32	15	0.22	960	3178	ESG337M160AN1(1)
200	250	10	10 x 12	15	6	60	130	ESG106M200AH1(1)
200	250	22	10 x 20	15	1.5	160	274	ESG226M200AH4(1)
200	250	33	13 x 20	15	0.95	210	406	ESG336M200AL3(1)
200	250	47	13 x 20	15	0.91	260	574	ESG476M200AL3(1)
200	250	68	13 x 25	15	0.6	360	826	ESG686M200AL4(1)
200	250	68	16 x 20	15	0.55	430	826	ESG686M200AM5(1)
200	250	100	16 x 25	15	0.3	475	1210	ESG107M200AM7(1)
200	250	100	18 x 20	15	0.31	465	1210	ESG107M200AN4(1)
200	250	150	18 x 25	15	0.27	650	1810	ESG157M200AN5(1)
200	250	220	18 x 32	15	0.22	780	2650	ESG227M200AN1(1)
250	300	10	10 x 20	15	3.5	100	160	ESG106M250AH4(1)
250	300	22	13 x 20	15	2.5	160	340	ESG226M250AL3(1)
250	300	33	13 x 20	15	1.9	210	505	ESG336M250AL3(1)
250	300	47	13 x 25	15	1.7	270	715	ESG476M250AL4(1)
250	300	47	16 x 20	15	1.5	275	715	ESG476M250AM5(1)
250	300	68	16 x 25	15	0.8	380	1030	ESG686M250AM7(1)
250	300	68	18 x 20	15	0.95	375	1030	ESG686M250AN4(1)
250	300	100	16 x 32	15	0.65	520	1510	ESG107M250AM2(1)
250	300	100	18 x 25	15	0.65	500	1510	ESG107M250AN5(1)
250	300	150	18 x 32	15	0.45	650	2260	ESG157M250AN1(1)
250	300	220	18 x 40	15	0.35	820	3310	ESG227M250AN3(1)
350	400	10	10 x 20	20	3	100	220	ESG106M350AH4(1)
350	400	22	13 x 20	20	2.1	160	472	ESG226M350AL3(1)
350	400	33	13 x 25	20	1	230	703	ESG336M350AL4(1)
350	400	33	16 x 20	20	0.91	250	703	ESG336M350AM5(1)
350	400	47	16 x 25	20	0.75	300	997	ESG476M350AM7(1)
350	400	47	18 x 20	20	0.8	315	997	ESG476M350AN4(1)
350	400	68	16 x 32	20	0.5	400	1438	ESG686M350AM2(1)
350	400	68	18 x 25	20	0.55	380	1438	ESG686M350AN5(1)
350	400	100	18 x 32	20	0.4	530	2110	ESG107M350AN1(1)
400	450	1.5	10 x 12	24	18	35	46	ESG155M400AH1(1)
400	450	2.2	10 x 12	24	12.5	40	63	ESG225M400AH1(1)
400	450	3.3	10 x 12	24	8	45	90	ESG335M400AH1(1)
400	450	4.7	10 x 15	24	3.5	50	123	ESG475M400AH2(1)
400	450	6.8	10 x 20	24	3.3	70	173	ESG685M400AH4(1)
400	450	10	10 x 20	24	2.9	100	250	ESG106M400AH4(1)
400	450	22	13 x 25	24	1.35	170	538	ESG226M400AL4(1)
400	450	22	16 x 20	24	1	200	538	ESG226M400AM5(1)
400	450	33	16 x 25	24	0.95	230	802	ESG336M400AM7(1)
400	450	33	18 x 20	24	0.91	250	802	ESG336M400AN4(1)
400	450	47	16 x 32	24	0.75	300	1138	ESG476M400AM2(1)
400	450	47	18 x 25	24	0.8	325	1138	ESG476M400AN5(1)
400	450	68	18 x 36	24	0.49	420	1642	ESG686M400AN2(1)
400	450	100	18 x 40	24	0.34	545	2410	ESG107M400AN3(1)
400	450	150	22 x 40	24	0.3	650	3610	ESG157M400AQ4(1)
450	500	3.3	10 x 20	24	6.5	60	99	ESG335M450AH4(1)
VDC	VDC Surge	Rated Capacitance	Case Size	DF	Z	RC	LC	Part Number

(1) Insert packaging code. See Ordering Options Table for available options.

* When capacitance exceeds 1,000 µF, the DF value (%) is increased by 2% for every additional 1,000 µF.

Table 1 – Ratings & Part Number Reference cont'd

VDC	VDC Surge Voltage	Rated Capacitance 120 Hz 20°C (μF)	Case Size D x L (mm)	DF 120 Hz 20°C (tan δ %)*	Z 100 kHz 25°C (Ω)	RC 100 kHz 105°C (mA)	LC 20°C 2 Minutes (μA)	Part Number
450	500	4.7	13 x 20	24	3.6	80	137	ESG475M450AL3(1)
450	500	6.8	10 x 20	24	3.4	90	194	ESG685M450AH4(1)
450	500	10	13 x 20	24	3	110	280	ESG106M450AL3(1)
450	500	22	16 x 25	24	1.8	190	604	ESG226M450AM7(1)
450	500	22	18 x 20	24	2.2	200	604	ESG226M450AN4(1)
450	500	33	16 x 32	24	1.3	275	901	ESG336M450AM2(1)
450	500	33	18 x 25	24	1.2	280	901	ESG336M450AN5(1)
450	500	47	18 x 32	24	1	340	1279	ESG476M450AN1(1)
450	500	68	18 x 40	24	0.8	460	1846	ESG686M450AN3(1)
450	500	100	22 x 40	24	0.6	580	2710	ESG107M450AQ4(1)
VDC	VDC Surge	Rated Capacitance	Case Size	DF	Z	RC	LC	Part Number

(1) Insert packaging code. See Ordering Options Table for available options.

* When capacitance exceeds 1,000 μF, the DF value (%) is increased by 2% for every additional 1,000 μF.

Mounting Positions (Safety Vent)

In operation, electrolytic capacitors will always conduct a leakage current which causes electrolysis. The oxygen produced by electrolysis will regenerate the dielectric layer but, at the same time, the hydrogen released may cause the internal pressure of the capacitor to increase. The overpressure vent (safety vent) ensures that the gas can escape when the pressure reaches a certain value. All mounting positions must allow the safety vent to work properly.

Installing

- A general principle is that lower-use temperatures result in a longer, useful life of the capacitor. For this reason, it should be ensured that electrolytic capacitors are placed away from heat-emitting components. Adequate space should be allowed between components for cooling air to circulate, particularly when high ripple current loads are applied. In any case, the maximum category temperature must not be exceeded.
- Do not deform the case of capacitors or use capacitors with a deformed case.
- Verify that the connections of the capacitors are able to insert on the board without excessive mechanical force.
- If the capacitors require mounting through additional means, the recommended mounting accessories shall be used.
- Verify the correct polarization of the capacitor on the board.
- Verify that the space around the pressure relief device is according to the following guideline:

Case Diameter	Space Around Safety Vent
≤ 16 mm	> 2 mm
> 16 mm to ≤ 40 mm	> 3 mm
> 40 mm	> 5 mm

It is recommended that capacitors always be mounted with the safety device uppermost or in the upper part of the capacitor.

- If the capacitors are stored for a long time, the leakage current must be verified. If the leakage current is superior to the value listed in this catalog, the capacitors must be reformed. In this case, they can be reformed by application of the rated voltage through a series resistor approximately 1 kΩ for capacitors with $V_R \leq 160$ V (5 W resistor) and 10 kΩ for the other rated voltages.
- In the case of capacitors connected in series, a suitable voltage sharing must be used.
 In the case of balancing resistors, the approximate resistance value can be calculated as: $R = 60/C$

KEMET recommends, nevertheless, to ensure that the voltage across each capacitor does not exceed its rated voltage.

Application and Operation Guidelines

Electrical Ratings:

Capacitance (ESC)

Capacitance is measured by applying an alternate voltage of ≤ 0.5 V at a frequency of 120 or 100 Hz and 20°C.

Temperature Dependence of the Capacitance

Capacitance of an electrolytic capacitor depends upon temperature: with decreasing temperature the viscosity of the electrolyte increases, thereby reducing its conductivity.

Capacitance will decrease if temperature decreases. Furthermore, temperature drifts cause armature dilatation and, therefore, capacitance changes (up to 20% depending on the series considered, from 0 to 80°C). This phenomenon is more evident for electrolytic capacitors than for other types.

Frequency Dependence of the Capacitance

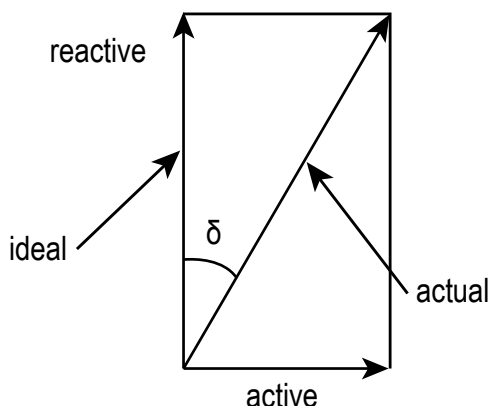
Effective capacitance value is derived from the impedance curve, as long as impedance is still in the range where the capacitance component is dominant.

$$C = \frac{1}{2\pi fZ}$$

C = Capacitance (F)
 f = Frequency (Hz)
 Z = Impedance (Ω)

Dissipation Factor $\tan \delta$ (DF)

Dissipation Factor $\tan \delta$ is the ratio between the active and reactive power for a sinusoidal waveform voltage. It can be thought of as a measurement of the gap between an actual and ideal capacitor.



$\tan \delta$ is measured with the same set-up used for the series capacitance ESC.

$\tan \delta = \omega \times \text{ESC} \times \text{ESR}$ where:

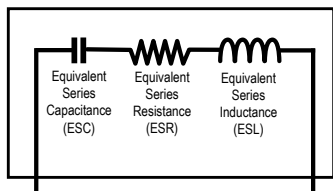
ESC = Equivalent Series Capacitance

ESR = Equivalent Series Resistance

Equivalent Series Inductance (ESL)

Self inductance or Equivalent Series Inductance results from the terminal configuration and internal design of the capacitor.

Capacitor Equivalent Internal Circuit



Equivalent Series Resistance (ESR)

Equivalent Series Resistance is the resistive component of the equivalent series circuit. ESR value depends on frequency and temperature and is related to the $\tan \delta$ by the following equation:

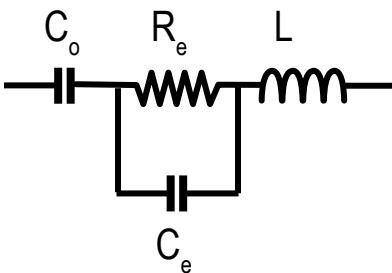
$$ESR = \frac{\tan \delta}{2\pi f ESC}$$

ESR = Equivalent Series Resistance (Ω)
 $\tan \delta$ = Dissipation Factor
 ESC = Equivalent Series Capacitance (F)
 f = Frequency (Hz)

Tolerance limits of the rated capacitance must be taken into account when calculating this value.

Impedance (Z)

Impedance of an electrolytic capacitor results from a circuit formed by the following individual equivalent series components:



C_o = Aluminum oxide capacitance (surface and thickness of the dielectric)

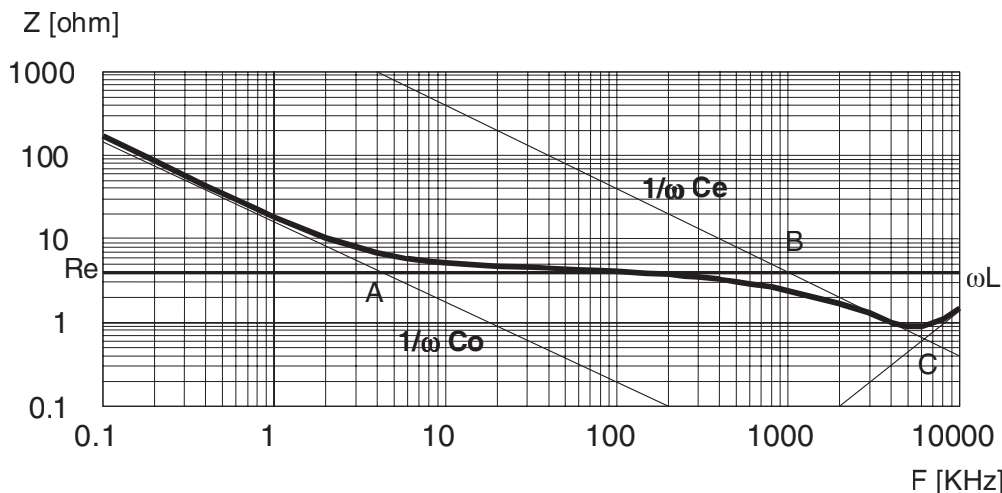
R_e = Resistance of electrolyte and paper mixture (other resistances not depending on the frequency are not considered: tabs, plates, etc.)

C_e = Electrolyte soaked paper capacitance

L = Inductive reactance of the capacitor winding and terminals

Impedance of an electrolytic capacitor is not a constant quantity that retains its value under all conditions; it changes depending on frequency and temperature.

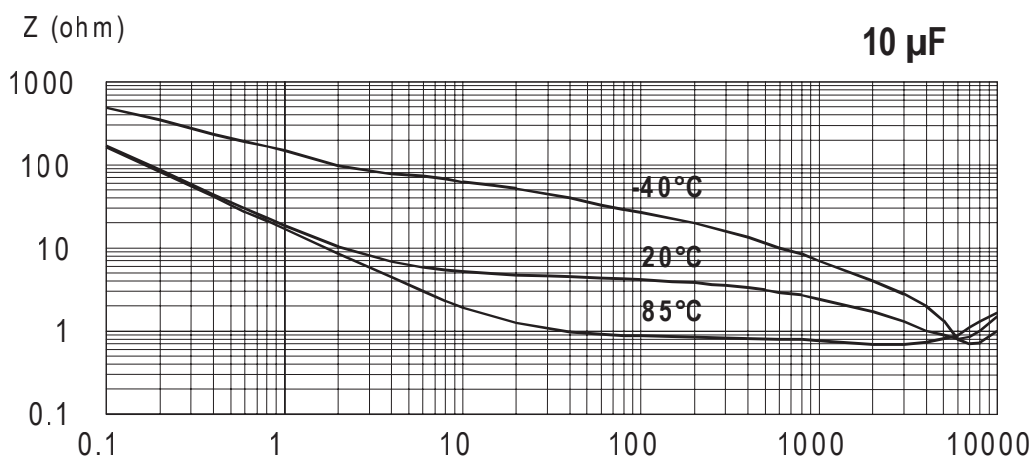
Impedance as a function of frequency (sinusoidal waveform) for a certain temperature can be represented as follows:



- Capacitive reactance predominates at low frequencies
- With increasing frequency, capacitive reactance $X_c = 1/\omega C_0$ decreases until it reaches the order of magnitude of electrolyte resistance $R_e(A)$
- At even higher frequencies, resistance of the electrolyte predominates: $Z = R_e (A - B)$
- When the capacitor's resonance frequency is reached (ω_0), capacitive and inductive reactance mutually cancel each other $1/\omega C_e = \omega L$, $\omega_0 = C\sqrt{1/LC_e}$
- Above this frequency, inductive reactance of the winding and its terminals ($X_L = Z = \omega L$) becomes effective and leads to an increase in impedance

Generally speaking, it can be estimated that $C_e \approx 0.01 C_0$.

Impedance as a function of frequency (sinusoidal waveform) for different temperature values can be represented as follows (typical values):



R_e is the most temperature-dependent component of an electrolytic capacitor equivalent circuit. Electrolyte resistivity will decrease if temperature rises.

In order to obtain a low impedance value throughout the temperature range, R_e must be as little as possible. However, R_e values that are too low indicate a very aggressive electrolyte, resulting in a shorter life of the electrolytic capacitor at high temperatures. A compromise must be reached.

Leakage Current (LC)

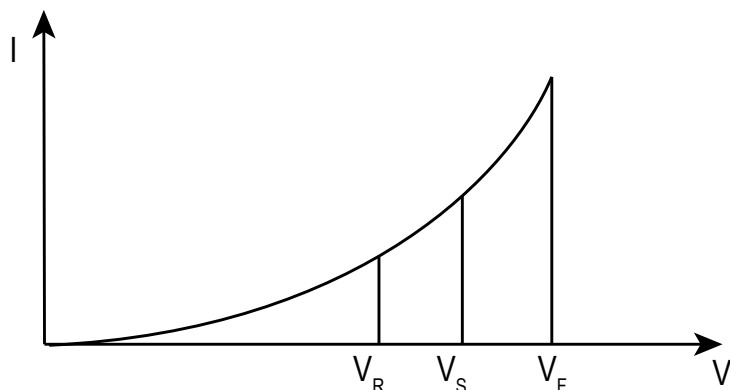
Due to the aluminum oxide layer that serves as a dielectric, a small current will continue to flow even after a DC voltage has been applied for long periods. This current is called leakage current.

A high leakage current flows after applying voltage to the capacitor then decreases in a few minutes, e.g., after prolonged storage without any applied voltage. In the course of continuous operation, the leakage current will decrease and reach an almost constant value.

After a voltage-free storage the oxide layer may deteriorate, especially at high temperature. Since there are no leakage currents to transport oxygen ions to the anode, the oxide layer is not regenerated. The result is that a higher than normal leakage current will flow when voltage is applied after prolonged storage.

As the oxide layer is regenerated in use, the leakage current will gradually decrease to its normal level.

The relationship between the leakage current and voltage applied at constant temperature can be shown schematically as follows:



Where:

V_F = **Forming voltage**

If this level is exceeded, a large quantity of heat and gas will be generated and the capacitor could be damaged.

V_R = **Rated voltage**

This level represents the top of the linear part of the curve.

V_S = **Surge voltage**

This lies between V_R and V_F . The capacitor can be subjected to V_S for short periods only.

Electrolytic capacitors are subjected to a reforming process before acceptance testing. The purpose of this preconditioning is to ensure that the same initial conditions are maintained when comparing different products.

Ripple Current (RC)

The maximum ripple current value depends on:

- Ambient temperature
- Surface area of the capacitor (heat dissipation area)
- $\tan \delta$ or ESR
- Frequency

The capacitor's life depends on the thermal stress.

Frequency Dependence of the Ripple Current

ESR and, thus, the $\tan \delta$ depend on the frequency of the applied voltage. This indicates that the allowed ripple current is also a function of the frequency.

Temperature Dependence of the Ripple Current

The data sheet specifies maximum ripple current at the upper category temperature for each capacitor.

Expected Life Calculation

Expected life depends on operating temperature according to the following formula: $L = L_o \times 2^{(T_o - T)/10}$

Where:

- L: Expected life
- L_o: Load life at maximum permissible operating temperature
- T: Actual operating temperature
- T_o: Maximum permissible operating temperature

This formula is applicable between 40°C and T_o.

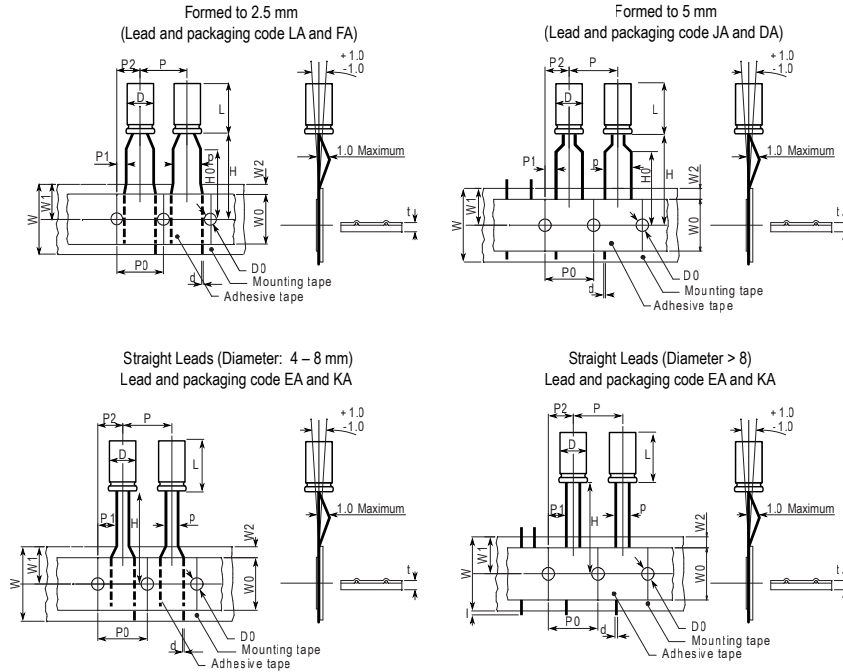
Packaging Quantities

Size Code	Diameter (mm)	Length (mm)	Bulk Standard Leads	Auto-insertion		
				Cut Leads	Ammo	Tape & Reel
H1	10	12	4000	4000	700	600
H2	10	15	3000	4000	700	600
H4	10	20	2400	3000	700	600
L3	13	20	2000	2000	500	
L4	13	25	1600	1600	500	
M5	16	20	1000	500	300	
M7	16	25	1000	500	300	
M2	16	32	800	500		
N4	18	20	800	1000		
N5	18	25	800	500		
N1	18	32	500	500		
N2	18	36	500	500		
N3	18	40	500	500		
Q4	22	40	300	400		

Standard Marking for Surface Mount Types

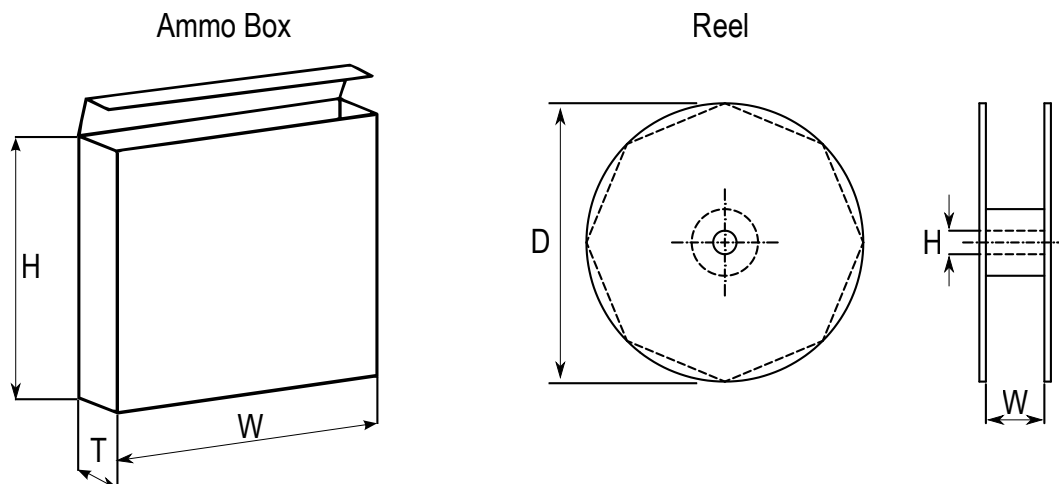
- KEMET logo
- Series
- Operating temperature (°C)
- Rated capacitance (µF)
- Rated voltage (VDC)
- Negative polarity: white line
- Date code

Taping for Automatic Insertion Machines



Dimensions (mm)	D	L	p	d	P	P0	P1	P2	W	W0	W1	W2	H0	H1	I	D0	t
Tolerance	+0.5		+0.8/-0.2	±0.05	±1.0	±0.3	±0.7	±1.3	+1/-0.5	±0.5	Maximum	Maximum	±0.75	±0.5	Maximum	±0.2	±0.2
Formed to 2.5 mm	4	5-7	2.5	0.45	12.7	12.7	5.1	6.35	18	12	11	3	16	18.5		4	0.7
	5	≤7	2.5	0.45	12.7	12.7	5.1	6.35	18	12	11	3	16	18.5		4	0.7
		>7	2.5	0.5	12.7	12.7	5.1	6.35	18	12	11	3	16	18.5		4	0.7
Formed to 5 mm	4	5-7	5	0.45	12.7	12.7	3.85	6.35	18	12	11	3	16	18.5		4	0.7
	5	≤7	5	0.45	12.7	12.7	3.85	6.35	18	12	11	3	16	18.5		4	0.7
		>7	5	0.5	12.7	12.7	3.85	6.35	18	12	11	3	16	18.5		4	0.7
	6	≤7	5	0.5	12.7	12.7	3.85	6.35	18	12	11	3	16	18.5		4	0.7
		>7	5	0.5	12.7	12.7	3.85	6.35	18	12	11	3	16	18.5		4	0.7
	8	≤7	5	0.5	12.7	12.7	3.85	6.35	18	12	11	3	16	18.5		4	0.7
Straight leads	4	5-7	1.5	0.45	12.7	12.7	5.6	6.35	18	12	11	3	18.5			4	0.7
	5	≤7	2	0.45	12.7	12.7	5.35	6.35	18	12	11	3	18.5			4	0.7
		>7	2	0.5	12.7	12.7	5.35	6.35	18	12	11	3	18.5			4	0.7
	6	≤7	2.5	0.5	12.7	12.7	5.1	6.35	18	12	11	3	18.5			4	0.7
		>7	2.5	0.5	12.7	12.7	5.1	6.35	18	12	11	3	18.5			4	0.7
	8	≤7	3.5	0.5	12.7	12.7	4.6	6.35	18	12	11	3	18.5			4	0.7
		>7	3.5	0.5	12.7	12.7	4.6	6.35	18	12	11	3	18.5			4	0.7
	10	12-25	5	0.6	12.7	12.7	3.85	6.35	18	12	11	3	18.5		1	4	1
	12	15-25	5	0.6	15	15	3.85	7.5	18	12	11	3	18.5		1	4	1
	13		5	0.6	15	15	3.85	7.5	18	12	11	3	18.5		1	4	1
5			0.6	15	15	3.85	7.5	18	12	11	3	18.5		1	4	1	
16	7.5		0.8	30	30	3.75	7.5	18	12	11	3	18.5		1	4	1	
18	7.5		0.8	30	30	3.75	7.5	18	12	11	3	18.5		1	4	1	

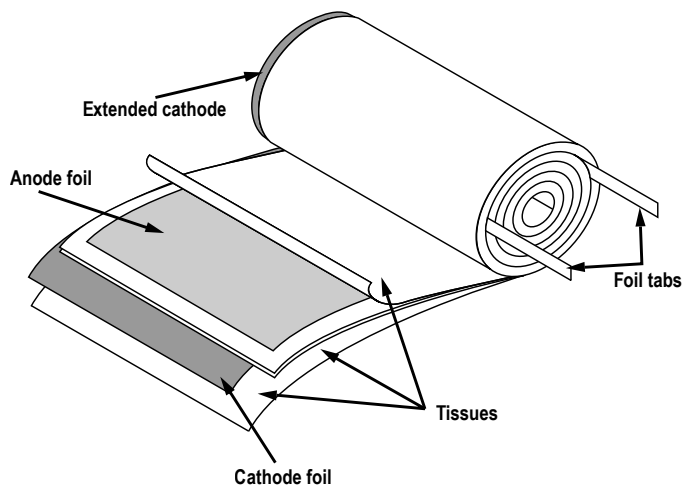
Lead Taping & Packaging



Case Size (mm)	Ammo			Reel		
	H	W	T	D	H	W
		Maximum	Maximum	±2	±0.5	+1/-0.1
4	230	340	42	350	30	50
5 x 5 – 7	230	340	42			
6.3 x 5 – 7	275	340	42			
8 x 5 – 9	235	340	45			
5 x 11	230	340	48			
6.3 x 11	270	340	48			
8 x 11	235	340	48			
8 x 14 – 20	240	340	57			
10 x 12	250	340	52			
10 x 15 – 19	256	340	57			
10 x 22 – 25	250	340	60			
12	270	340	57			
13	285	340	62			
16	265	340	62			

Construction

The manufacturing process begins with the anode foil being electrochemically etched to increase the surface area and then “formed” to produce the aluminum oxide layer. Both the anode and cathode foils are then interleaved with absorbent paper and wound into a cylinder. During the winding process, aluminum tabs are attached to each foil to provide the electrical contact.



The deck, complete with terminals, is attached to the tabs and then folded down to rest on top of the winding. The complete winding is impregnated with electrolyte before being housed in a suitable container, usually an aluminum can, and sealed. Throughout the process, all materials inside the housing must be maintained at the highest purity and be compatible with the electrolyte.

Each capacitor is aged and tested before being sleeved and packed. The purpose of aging is to repair any damage in the oxide layer and thus reduce the leakage current to a very low level. Aging is normally carried out at the rated temperature of the capacitor and is accomplished by applying voltage to the device while carefully controlling the supply current. The process may take several hours to complete.

Damage to the oxide layer can occur due to variety of reasons:

- Slitting of the anode foil after forming
- Attaching the tabs to the anode foil
- Minor mechanical damage caused during winding

A sample from each batch is taken by the quality department after completion of the production process.

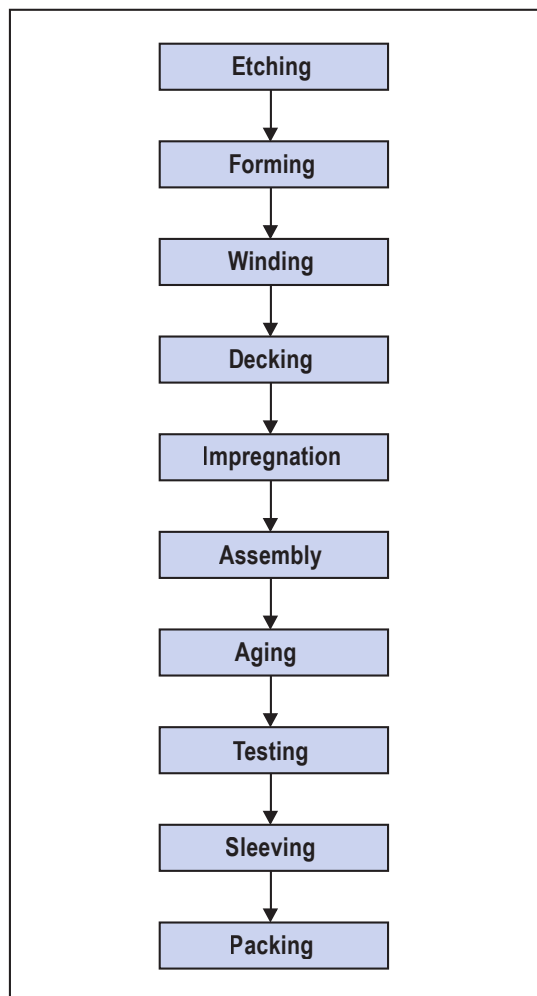
The following tests are applied and may be varied at the request of the customer. In this case the batch, or special procedure, will determine the course of action.

Electrical:

- Leakage current
- Capacitance
- ESR
- Impedance
- Tan Delta

Mechanical/Visual:

- Overall dimensions
- Torque test of mounting stud
- Print detail
- Box labels
- Packaging, including packed quantity



KEMET Corporation World Headquarters

2835 KEMET Way
Simpsonville, SC 29681

Mailing Address:
P.O. Box 5928
Greenville, SC 29606

www.kemet.com
Tel: 864-963-6300
Fax: 864-963-6521

Corporate Offices
Fort Lauderdale, FL
Tel: 954-766-2800

North America

Southeast
Lake Mary, FL
Tel: 407-855-8886

Northeast
Wilmington, MA
Tel: 978-658-1663

Central
Novi, MI
Tel: 248-306-9353

West
Milpitas, CA
Tel: 408-433-9950

Mexico
Guadalajara, Jalisco
Tel: 52-33-3123-2141

Europe

Southern Europe
Paris, France
Tel: 33-1-4646-1006

Sasso Marconi, Italy
Tel: 39-051-939111

Central Europe
Landsberg, Germany
Tel: 49-8191-3350800

Kamen, Germany
Tel: 49-2307-438110

Northern Europe
Bishop's Stortford, United Kingdom
Tel: 44-1279-460122

Espoo, Finland
Tel: 358-9-5406-5000

Asia

Northeast Asia
Hong Kong
Tel: 852-2305-1168

Shenzhen, China
Tel: 86-755-2518-1306

Beijing, China
Tel: 86-10-5829-1711

Shanghai, China
Tel: 86-21-6447-0707

Taipei, Taiwan
Tel: 886-2-27528585

Southeast Asia
Singapore
Tel: 65-6586-1900

Penang, Malaysia
Tel: 60-4-6430200

Bangalore, India
Tel: 91-806-53-76817

Note: KEMET reserves the right to modify minor details of internal and external construction at any time in the interest of product improvement. KEMET does not assume any responsibility for infringement that might result from the use of KEMET Capacitors in potential circuit designs. KEMET is a registered trademark of KEMET Electronics Corporation.

Disclaimer

All product specifications, statements, information and data (collectively, the "Information") in this datasheet are subject to change. The customer is responsible for checking and verifying the extent to which the Information contained in this publication is applicable to an order at the time the order is placed.

All Information given herein is believed to be accurate and reliable, but it is presented without guarantee, warranty, or responsibility of any kind, expressed or implied.

Statements of suitability for certain applications are based on KEMET Electronics Corporation's ("KEMET") knowledge of typical operating conditions for such applications, but are not intended to constitute – and KEMET specifically disclaims – any warranty concerning suitability for a specific customer application or use. The Information is intended for use only by customers who have the requisite experience and capability to determine the correct products for their application. Any technical advice inferred from this Information or otherwise provided by KEMET with reference to the use of KEMET's products is given gratis, and KEMET assumes no obligation or liability for the advice given or results obtained.

Although KEMET designs and manufactures its products to the most stringent quality and safety standards, given the current state of the art, isolated component failures may still occur. Accordingly, customer applications which require a high degree of reliability or safety should employ suitable designs or other safeguards (such as installation of protective circuitry or redundancies) in order to ensure that the failure of an electrical component does not result in a risk of personal injury or property damage.

Although all product-related warnings, cautions and notes must be observed, the customer should not assume that all safety measures are indicated or that other measures may not be required.