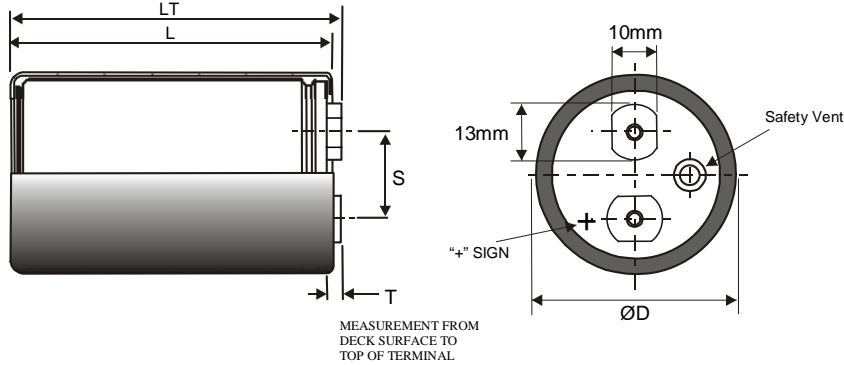


Part Number : ALS30A152KF450

Customer :

Customer p/n :



Diameter (mm)	51 +/-1
Length (L or L2) (mm)	105 +/-2
Terminals	M5
Other Dimensions	S=22.2±0.5, T=5.5±0.5, Lt=110.5±1.0

Capacitance:	1500 uF
Lower Cap Tolerance:	20 %
Upper Cap Tolerance:	20 %
Working Voltage:	450 V DC
Surge Test Voltage:	495 V DC

ESR	93	m'Ohms MAX @ 100 HZ,20°C
IMPEDANCE	65	m'Ohms MAX @ 10 KHZ,20°C

DC LEAKAGE	4.05	mA max @ Test Volts
Test Voltage	450.0V	DC

Rated ripple current	7.7	A rms at	100	Hz and	85	°C
Temperature range	-40	°C to	85	°C		

Approved \_\_\_\_\_ Date \_\_\_\_\_

Form : FM003.DES Iss : 3 Date :30/06/1

All product specifications, statements, information and data (collectively, the "Information") are subject to change without notice. All Information given herein is believed to be accurate and reliable, but is presented without guarantee, warranty, or responsibility of any kind, expressed or implied. Statements of suitability for certain applications are based on our knowledge of typical operating conditions for such applications, but are not intended to constitute – and we specifically disclaim – any warranty concerning suitability for a specific customer application or use. This Information is intended for use only by customers who have the requisite experience and capability to determine the correct products for their application. Any technical advice inferred from this Information or otherwise provided by us with reference to the use of our products is given gratis, and we assume no obligation or liability for the advice given or results obtained. Although we design and manufacture our products to the most stringent quality and safety standards, given the current state of the art, isolated component failures may still occur. Accordingly, customer applications which require a high degree of reliability or safety should employ suitable designs or other safeguards (such as installation of protective circuitry or redundancies) in order to ensure that the failure of an electrical component does not result in a risk of personal injury or property damage. Although all product-related warnings, cautions and notes must be observed, the customer should not assume that all safety measures are indicated or that other measures may not be required. KEMET's product warranty is set forth at [www.kemet.com](http://www.kemet.com) under Terms and Conditions of Sale.