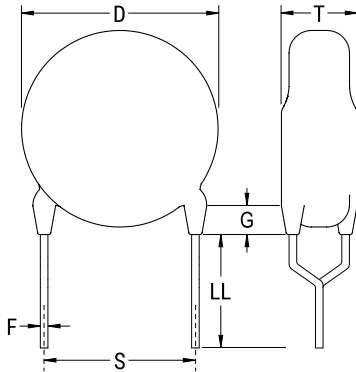


KHA, Ceramic, 1000 pF, 10%, 1000 VDC, X7R, Lead Spacing = 5mm



Dimensions

D	7.5mm MAX
T	4.5mm MAX
S	5mm NOM
F	0.6mm +/-0.1mm

Packaging Specifications

Packaging:	Ammo, 340x250x50mm Box, H0 = 16mm, Component Pitch = 12.7mm
Packaging Quantity:	1000

General Information

Series:	KHA
Style:	Radial Disc
RoHS:	Yes
Termination:	Tin
Failure Rate:	N/A
AEC-Q200:	No
Miscellaneous:	Climate Category: 55/125/21.

Specifications

Capacitance:	1000 pF
Capacitance Tolerance:	10%
Voltage DC:	1000 VDC
Dielectric Withstanding Voltage:	2000 VDC
Temperature Range:	-55/+125°C
Temperature Coefficient:	X7R
Dissipation Factor:	2.5%
Insulation Resistance:	10 GOhms