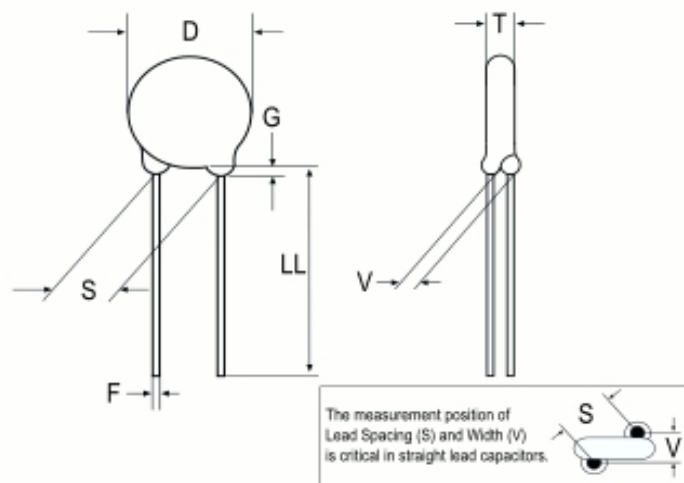


[Help](#)
[PDF](#)
[Samples](#)
[Buy](#)
[Catalog](#)
[eMail](#)
[Close](#)
ERP610VH4220KEF0

aka C835EF222K760A

Capacitor, ceramic, 2200 pF, +/-10% Tol, 760 V, K4000, Lead Spacing=12.5 mm

**Dimensional Data (mm)**

ID	Dimension	Tolerance
D:	12	MAX
T:	5	MAX
S:	12.5	+/-1
LL:	30	-3
F:	0.6	+/-0.05
G:	3	MAX
V:	2.1	+/-0.5

Specifications

Supplier:	KEMET
Application:	Safety:X1/Y1
Approvals:	UL,CSA,ENEC
Temperature Coefficient:	K4000
Body Type:	Radial Disc
Lead Form:	Wire Leads
Termination Type:	Tin (Sn)
RoHS:	Yes (with exemptions)
Capacitance:	2200 pF
Voltage:	760 VAC (X)
Voltage:	500 VAC (Y)
Tolerance:	+/-10%
Temperature Range:	-40/+125C
Failure Rate:	N/A
Dissipation Factor:	2.5%
Insulation Resistance:	10 GOhm
Miscellaneous:	Y1 Voltage = 500VAC
Package Kind:	Bulk

Statements of suitability for certain applications are based on our knowledge of typical operating conditions for such applications, but are not intended to constitute - and we specifically disclaim - any warranty concerning suitability for a specific customer application or use. This Information is intended for use only by customers who have the requisite experience and capability to determine the correct products for their application. Any technical advice inferred from this Information or otherwise provided by us with reference to the use of our products is given gratis, and we assume no obligation or liability for the advice given or results obtained.