

# T110 Axial MIL-PRF-39003 Polar Type and T212 (CSR13 Style)

## Overview

The KEMET standard hermetically sealed T110 Series is targeted for use in high humidity environments. These capacitors are ruggedly built, designed for miniaturized circuitry, and are especially well-suited for coupling, bypass, filtering and RC timing circuits. The T110 Series exhibits excellent stability as well as extremely low DC leakage current, dissipation factor, and ESR/impedance over a wide

temperature and frequency range. Available in standard EIA capacitance values from 0.0047  $\mu\text{F}$  to 330  $\mu\text{F}$  in  $\pm 20\%$ ,  $\pm 10\%$ , and  $\pm 5\%$  tolerances, the T110 Series is now offered in working voltages of 6 VDC to 125 VDC and low ESR limits. Higher CV values in comparable case sizes are available in the KEMET T410 Series.

## Benefits

- Taped and reeled per EIA Specification RS-296
- Marking per MIL-STD-1285
- Qualified to MIL-PRF-39003 (CSR13 Style)
- Failure rate options: Graded – B, C, D, and G  
Exponential – M, P, R, and S\*
- Capacitance values of 0.0047  $\mu\text{F}$  to 330  $\mu\text{F}$
- Tolerances of  $\pm 5\%$ ,  $\pm 10\%$  and  $\pm 20\%$
- Voltage rating of 6 – 125 VDC
- Operating temperature range of  $-55^\circ\text{C}$  to  $+125^\circ\text{C}$
- Case sizes: A, B, C, D

*\*Failure rates apply to military products only*



## Applications

Typical applications include coupling, bypass, filtering and RC timing circuits in miniaturized circuitry.

## Ordering Information – T110

| T               | 110                                 | A                | 105                                                                                    | K                               | 050                                                                                                                   | A                                  | T                                    | 7200                                                                                                                                           |
|-----------------|-------------------------------------|------------------|----------------------------------------------------------------------------------------|---------------------------------|-----------------------------------------------------------------------------------------------------------------------|------------------------------------|--------------------------------------|------------------------------------------------------------------------------------------------------------------------------------------------|
| Capacitor Class | Series                              | Case Size        | Capacitance Code (pF)                                                                  | Capacitance Tolerance           | Rated Voltage (VDC)                                                                                                   | Failure Rate/Military Product Only | Termination Finish                   | Specification                                                                                                                                  |
| T = Tantalum    | Hermetically sealed axial capacitor | A<br>B<br>C<br>D | First two digits represent significant figures. Third digit specifies number of zeros. | J = ±5%<br>K = ±10%<br>M = ±20% | 006 = 6<br>010 = 10<br>015 = 15<br>020 = 20<br>035 = 35<br>050 = 50<br>060 = 60<br>075 = 75<br>100 = 100<br>125 = 125 | A = N/A                            | T = 100% Tin<br>S = Standard (Sn/Pb) | Blank = Sleeved/ Bulk<br>0100 = Without sleeve<br>7200 = Tape & Reel<br>7293 & 7443 = Ammo<br><br>All capacitors are sleeved unless specified. |

## Ordering Information – T212 (CSR13 Style)

MIL product

| T               | 212                                                | A                | 105                                                                                    | K                               | 050                                                                                          | B                                                                                                                                                                                            | S                    | 7200                                                                                                                                                                                                  |
|-----------------|----------------------------------------------------|------------------|----------------------------------------------------------------------------------------|---------------------------------|----------------------------------------------------------------------------------------------|----------------------------------------------------------------------------------------------------------------------------------------------------------------------------------------------|----------------------|-------------------------------------------------------------------------------------------------------------------------------------------------------------------------------------------------------|
| Capacitor Class | Series                                             | Case Size        | Capacitance Code (pF)                                                                  | Capacitance Tolerance           | Rated Voltage (VDC)                                                                          | Failure Rate/Military Product Only                                                                                                                                                           | Termination Finish   | Specification                                                                                                                                                                                         |
| T = Tantalum    | Hermetically sealed axial military grade capacitor | A<br>B<br>C<br>D | First two digits represent significant figures. Third digit specifies number of zeros. | J = ±5%<br>K = ±10%<br>M = ±20% | 006 = 6<br>010 = 10<br>015 = 15<br>020 = 20<br>035 = 35<br>050 = 50<br>075 = 75<br>100 = 100 | Graded:<br>B = 0.1%/k hours<br>C = 0.01%/k hours<br>D = 0.001%/k hours<br>G = 1.0 %/k hours<br>Exponential:<br>M = 1%/k hours<br>P = 0.1%/k hours<br>R = 0.01%/k hours<br>S = 0.001%/k hours | S = Standard (Sn/Pb) | All capacitors are sleeved unless specified.<br>0100 = Without sleeve<br>7200 = Tape & Reel<br>7293 & 7443 = Ammo<br>4250 = "A" surge current<br>4251 = "B" surge current<br>4252 = "C" surge current |

## Ordering Information – MIL-PRF-39003

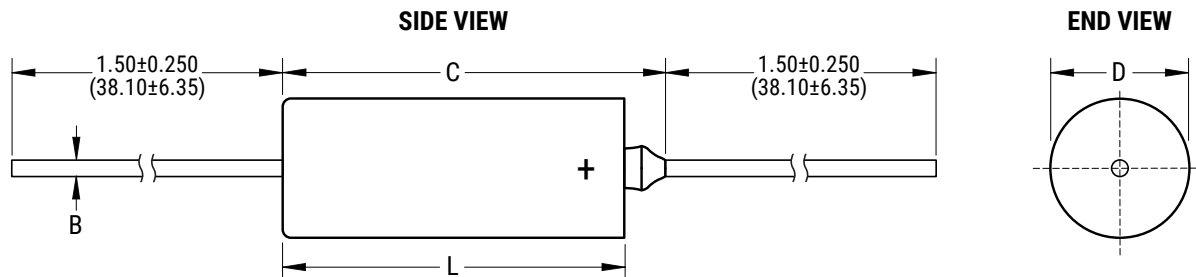
| M39003                        | /01                        | 6003               | A                                                          |
|-------------------------------|----------------------------|--------------------|------------------------------------------------------------|
| Capacitor Class               | Slash                      | Dash Number        | Surge Option                                               |
| Military specification number | Specification sheet number | Failure rate level | A = C-4250<br>B = C-4251<br>C = C-4252<br>Blank = No surge |

Orders should be entered by the military specification number, including the dash number and surge option letter (A, B or C).

## Performance Characteristics

| Item                                            | Performance Characteristics                                                                                                     |
|-------------------------------------------------|---------------------------------------------------------------------------------------------------------------------------------|
| Operating Temperature                           | -55°C to 125°C                                                                                                                  |
| Rated Capacitance Range                         | 0.0047 – 330 µF at 120 Hz/25°C                                                                                                  |
| Capacitance Tolerance                           | J Tolerance (5%), K Tolerance (10%), M Tolerance (20%)                                                                          |
| Rated Voltage Range                             | 6 – 125 V                                                                                                                       |
| DF (120 Hz at 25°C)                             | Refer to Part Number Electrical Specification Table                                                                             |
| Leakage Current                                 | Refer to Part Number Electrical Specification Table<br>(At rated voltage up to +85°C and 2/3 of rated voltage applied at 125°C) |
| Failure Rate (MIL-39003, CSR13 capacitors only) | Approved failure rate: S (0.001%/k hours) – Exponential, D (0.001%/k hours) and C (0.01%/k hours) – Graded                      |

## Dimensions – Inches (Millimeters)



| Case Size | Uninsulated            |                        | Insulated              |                        | B<br>±0.002<br>(±0.05) | C<br>Maximum     |
|-----------|------------------------|------------------------|------------------------|------------------------|------------------------|------------------|
|           | D<br>±0.005<br>(±0.13) | L<br>±0.031<br>(±0.79) | D<br>±0.010<br>(±0.25) | L<br>±0.031<br>(±0.79) |                        |                  |
| A         | 0.125<br>(3.18)        | 0.250<br>(6.35)        | 0.135<br>(3.43)        | 0.286<br>(7.26)        | 0.020<br>(0.51)        | 0.422<br>(10.72) |
| B         | 0.175<br>(4.45)        | 0.438<br>(11.13)       | 0.185<br>(4.70)        | 0.474<br>(12.04)       | 0.020<br>(0.51)        | 0.610<br>(15.49) |
| C         | 0.279<br>(7.09)        | 0.650<br>(16.51)       | 0.289<br>(7.34)        | 0.686<br>(17.42)       | 0.025<br>(0.64)        | 0.822<br>(20.88) |
| D         | 0.341<br>(8.66)        | 0.750<br>(19.05)       | 0.351<br>(8.92)        | 0.786<br>(19.96)       | 0.025<br>(0.64)        | 0.922<br>(23.42) |

**Table 1 – Ratings & Part Number Reference**

| Rated Voltage | Rated Cap | Case Size Code | KEMET Part Number            | DC Leakage               | DF % at 25°C   | MIL-PRF-39003 (CSR13) Capacitors   |         |          |           |                  |         |          |           |                  |  | KEMET Equivalent Military |
|---------------|-----------|----------------|------------------------------|--------------------------|----------------|------------------------------------|---------|----------|-----------|------------------|---------|----------|-----------|------------------|--|---------------------------|
|               |           |                |                              |                          |                | Dash Number Reference              |         |          |           |                  |         |          |           | Part Number      |  |                           |
|               |           |                |                              |                          |                | Failure Rate Level (%/1,000 hours) |         |          |           |                  |         |          |           |                  |  |                           |
|               |           |                |                              |                          |                | MIL-PRF-39003/1K                   |         |          |           | MIL-PRF-39003/1K |         |          |           |                  |  |                           |
|               |           |                |                              |                          |                | Exponential                        |         |          |           | Graded           |         |          |           |                  |  |                           |
| (V) 85°C      | µF        |                | (See below for part options) | µA at 25°C Max/5 Minutes | 120 Hz Maximum | M (1.0)                            | P (0.1) | R (0.01) | S (0.001) | G (1.0)          | B (0.1) | C (0.01) | D (0.001) |                  |  |                           |
| 6             | 2.2       | A              | T110A225(1)006A(3)           | 0.3                      | 4              |                                    |         |          |           |                  |         |          |           |                  |  |                           |
| 6             | 2.7       | A              | T110A275(1)006A(3)           | 0.3                      | 4              |                                    |         |          |           |                  |         |          |           |                  |  |                           |
| 6             | 3.3       | A              | T110A335(1)006A(3)           | 0.3                      | 4              |                                    |         |          |           |                  |         |          |           |                  |  |                           |
| 6             | 3.9       | A              | T110A395(1)006A(3)           | 0.3                      | 4              |                                    |         |          |           |                  |         |          |           |                  |  |                           |
| 6             | 4.7       | A              | T110A475(1)006A(3)           | 0.3                      | 4              |                                    |         |          |           |                  |         |          |           |                  |  |                           |
| 6             | 5.6       | A              | T110A565J006A(3)             | 0.3                      | 4              | 5001                               | 5201    | 5401     | 5601      | 4001             | 6001    | 7001     | 8001      | T212A565J006(2)S |  |                           |
| 6             | 5.6       | A              | T110A565K006A(3)             | 0.3                      | 4              | 2241                               | 2481    | 2721     | 2961      | 4002             | 6002    | 7002     | 8002      | T212A565K006(2)S |  |                           |
| 6             | 5.6       | A              | T110A565M006A(3)             | 0.3                      | 4              |                                    |         |          |           |                  |         |          |           |                  |  |                           |
| 6             | 6.8       | A              | T110A685J006A(3)             | 0.3                      | 6              | 5002                               | 5202    | 5402     | 5602      | 4003             | 6003    | 7003     | 8003      | T212A685J006(2)S |  |                           |
| 6             | 6.8       | A              | T110A685K006A(3)             | 0.3                      | 6              | 2242                               | 2482    | 2722     | 2962      | 4004             | 6004    | 7004     | 8004      | T212A685K006(2)S |  |                           |
| 6             | 6.8       | A              | T110A685M006A(3)             | 0.3                      | 6              | 2243                               | 2483    | 2723     | 2963      | 4005             | 6005    | 7005     | 8005      | T212A685M006(2)S |  |                           |
| 6             | 8.2       | B              | T110B825(1)006A(3)           | 0.3                      | 6              |                                    |         |          |           |                  |         |          |           |                  |  |                           |
| 6             | 10.0      | B              | T110B106(1)006A(3)           | 0.3                      | 6              |                                    |         |          |           |                  |         |          |           |                  |  |                           |
| 6             | 12.0      | B              | T110B126(1)006A(3)           | 0.5                      | 6              |                                    |         |          |           |                  |         |          |           |                  |  |                           |
| 6             | 15.0      | B              | T110B156(1)006A(3)           | 0.9                      | 6              |                                    |         |          |           |                  |         |          |           |                  |  |                           |
| 6             | 18.0      | B              | T110B186(1)006A(3)           | 0.9                      | 6              |                                    |         |          |           |                  |         |          |           |                  |  |                           |
| 6             | 22.0      | B              | T110B226(1)006A(3)           | 0.9                      | 6              |                                    |         |          |           |                  |         |          |           |                  |  |                           |
| 6             | 27.0      | B              | T110B276(1)006A(3)           | 0.9                      | 6              |                                    |         |          |           |                  |         |          |           |                  |  |                           |
| 6             | 33.0      | B              | T110B336(1)006A(3)           | 0.9                      | 6              |                                    |         |          |           |                  |         |          |           |                  |  |                           |
| 6             | 39.0      | B              | T110B396(1)006A(3)           | 0.9                      | 6              |                                    |         |          |           |                  |         |          |           |                  |  |                           |
| 6             | 47.0      | B              | T110B476J006A(3)             | 1.5                      | 6              | 5003                               | 5203    | 5403     | 5603      | 4006             | 6006    | 7006     | 8006      | T212B476J006(2)S |  |                           |
| 6             | 47.0      | B              | T110B476K006A(3)             | 1.5                      | 6              | 2244                               | 2484    | 2724     | 2964      | 4007             | 6007    | 7007     | 8007      | T212B476K006(2)S |  |                           |
| 6             | 47.0      | B              | T110B476M006A(3)             | 1.5                      | 6              | 2245                               | 2485    | 2725     | 2965      | 4008             | 6008    | 7008     | 8008      | T212B476M006(2)S |  |                           |
| 6             | 56.0      | B              | T110B566J006A(3)             | 1.5                      | 6              | 5004                               | 5204    | 5404     | 5604      | 4009             | 6009    | 7009     | 8009      | T212B566J006(2)S |  |                           |
| 6             | 56.0      | B              | T110B566K006A(3)             | 1.5                      | 6              | 2246                               | 2486    | 2726     | 2966      | 4010             | 6010    | 7010     | 8010      | T212B566K006(2)S |  |                           |
| 6             | 56.0      | B              | T110B566M006A(3)             | 1.5                      | 6              |                                    |         |          |           |                  |         |          |           |                  |  |                           |
| 6             | 68.0      | C              | T110C686(1)006A(3)           | 3.0                      | 6              |                                    |         |          |           |                  |         |          |           |                  |  |                           |
| 6             | 82.0      | C              | T110C826(1)006A(3)           | 3.0                      | 6              |                                    |         |          |           |                  |         |          |           |                  |  |                           |
| 6             | 100.0     | C              | T110C107(1)006A(3)           | 3.0                      | 6              |                                    |         |          |           |                  |         |          |           |                  |  |                           |
| 6             | 120.0     | C              | T110C127(1)006A(3)           | 3.0                      | 6              |                                    |         |          |           |                  |         |          |           |                  |  |                           |
| 6             | 150.0     | C              | T110C157J006A(3)             | 4.5                      | 6              | 5005                               | 5205    | 5405     | 5605      | 4011             | 6011    | 7011     | 8011      | T212C157J006(2)S |  |                           |
| 6             | 150.0     | C              | T110C157K006A(3)             | 4.5                      | 6              | 2247                               | 2487    | 2727     | 2967      | 4012             | 6012    | 7012     | 8012      | T212C157K006(2)S |  |                           |
| 6             | 150.0     | C              | T110C157M006A(3)             | 4.5                      | 6              | 2248                               | 2488    | 2728     | 2968      | 4013             | 6013    | 7013     | 8013      | T212C157M006(2)S |  |                           |
| 6             | 180.0     | C              | T110C187J006A(3)             | 5.5                      | 6              | 5006                               | 5206    | 5406     | 5606      | 4014             | 6014    | 7014     | 8014      | T212C187J006(2)S |  |                           |
| 6             | 180.0     | C              | T110C187K006A(3)             | 5.5                      | 6              | 2249                               | 2489    | 2729     | 2969      | 4015             | 6015    | 7015     | 8015      | T212C187K006(2)S |  |                           |
| 6             | 180.0     | C              | T110C187M006A(3)             | 5.5                      | 6              |                                    |         |          |           |                  |         |          |           |                  |  |                           |
| 6             | 220.0     | D              | T110D227(1)006A(3)           | 6.0                      | 8              |                                    |         |          |           |                  |         |          |           |                  |  |                           |
| 6             | 270.0     | D              | T110D277J006A(3)             | 6.0                      | 8              | 5007                               | 5207    | 5407     | 5607      | 4016             | 6016    | 7016     | 8016      | T212D277J006(2)S |  |                           |
| 6             | 270.0     | D              | T110D277K006A(3)             | 6.0                      | 8              | 2250                               | 2490    | 2730     | 2970      | 4017             | 6017    | 7017     | 8017      | T212D277K006(2)S |  |                           |
| 6             | 270.0     | D              | T110D277M006A(3)             | 6.0                      | 8              |                                    |         |          |           |                  |         |          |           |                  |  |                           |
| 6             | 330.0     | D              | T110D337J006A(3)             | 7.5                      | 8              | 5008                               | 5208    | 5408     | 5608      | 4018             | 6018    | 7018     | 8018      | T212D337J006(2)S |  |                           |
| 6             | 330.0     | D              | T110D337K006A(3)             | 7.5                      | 8              | 2251                               | 2491    | 2731     | 2971      | 4019             | 6019    | 7019     | 8019      | T212D337K006(2)S |  |                           |
| 6             | 330.0     | D              | T110D337M006A(3)             | 7.5                      | 8              | 2252                               | 2492    | 2732     | 2972      | 4020             | 6020    | 7020     | 8020      | T212D337M006(2)S |  |                           |
| 10            | 1.0       | A              | T110A105(1)010A(3)           | 0.3                      | 3              |                                    |         |          |           |                  |         |          |           |                  |  |                           |
| 10            | 1.2       | A              | T110A125(1)010A(3)           | 0.3                      | 4              |                                    |         |          |           |                  |         |          |           |                  |  |                           |

- To complete KEMET Part Number, insert M for ±20%, K for ±10%, or J for 5%. Designates capacitance tolerance.
- To complete KEMET Part Number (T212), insert Graded failure rate – B for 0.1%/k hours, C for 0.01%/k hours, D for 0.001%/k hours, or G for 1%/k hours; or insert Exponential failure rate – M for 1%/k hours, P for 0.1%/k hours, R for 0.01%/k hours, or S for 0.001%/k hours. Designates Reliability Level.
- To complete KEMET Part Number (T110), insert Lead Material designator – S for Standard or T for 100% Matte Tin. Designates Termination finish. Refer to Ordering Information for additional detail.

**Table 1 – Ratings & Part Number Reference cont.**

| Rated Voltage | Rated Cap | Case Size Code | KEMET Part Number            | DC Leakage               | DF % at 25°C   | MIL-PRF-39003 (CSR13) Capacitors   |         |          |           |                  |         |          |           |                           |  | KEMET Equivalent Military |  |  |
|---------------|-----------|----------------|------------------------------|--------------------------|----------------|------------------------------------|---------|----------|-----------|------------------|---------|----------|-----------|---------------------------|--|---------------------------|--|--|
|               |           |                |                              |                          |                | Dash Number Reference              |         |          |           |                  |         |          |           | KEMET Equivalent Military |  |                           |  |  |
|               |           |                |                              |                          |                | Failure Rate Level (%/1,000 hours) |         |          |           |                  |         |          |           |                           |  |                           |  |  |
|               |           |                |                              |                          |                | MIL-PRF-39003/1K                   |         |          |           | MIL-PRF-39003/1K |         |          |           | Part Number               |  |                           |  |  |
|               |           |                |                              |                          |                | Exponential                        |         |          |           | Graded           |         |          |           |                           |  |                           |  |  |
| (V) 85°C      | µF        |                | (See below for part options) | µA at 25°C Max/5 Minutes | 120 Hz Maximum | M (1.0)                            | P (0.1) | R (0.01) | S (0.001) | G (1.0)          | B (0.1) | C (0.01) | D (0.001) | Part Number               |  |                           |  |  |
| 10            | 1.5       | A              | T110A155(1)010A(3)           | 0.3                      | 4              |                                    |         |          |           |                  |         |          |           |                           |  |                           |  |  |
| 10            | 1.8       | A              | T110A185(1)010A(3)           | 0.3                      | 4              |                                    |         |          |           |                  |         |          |           |                           |  |                           |  |  |
| 10            | 2.2       | A              | T110A225(1)010A(3)           | 0.3                      | 4              |                                    |         |          |           |                  |         |          |           |                           |  |                           |  |  |
| 10            | 2.7       | A              | T110A275(1)010A(3)           | 0.3                      | 4              |                                    |         |          |           |                  |         |          |           |                           |  |                           |  |  |
| 10            | 3.3       | A              | T110A335(1)010A(3)           | 0.3                      | 4              |                                    |         |          |           |                  |         |          |           |                           |  |                           |  |  |
| 10            | 3.9       | A              | T110A395J010A(3)             | 0.3                      | 4              | 5009                               | 5209    | 5409     | 5609      | 4021             | 6021    | 7021     | 8021      | T212A395J010(2)S          |  |                           |  |  |
| 10            | 3.9       | A              | T110A395K010A(3)             | 0.3                      | 4              | 2253                               | 2493    | 2733     | 2973      | 4022             | 6022    | 7022     | 8022      | T212A395K010(2)S          |  |                           |  |  |
| 10            | 3.9       | A              | T110A395M010A(3)             | 0.3                      | 4              |                                    |         |          |           |                  |         |          |           |                           |  |                           |  |  |
| 10            | 4.7       | A              | T110A475J010A(3)             | 0.4                      | 4              | 5010                               | 5210    | 5410     | 5610      | 4023             | 6023    | 7023     | 8023      | T212A475J010(2)S          |  |                           |  |  |
| 10            | 4.7       | A              | T110A475K010A(3)             | 0.4                      | 4              | 2254                               | 2494    | 2734     | 2974      | 4024             | 6024    | 7024     | 8024      | T212A475K010(2)S          |  |                           |  |  |
| 10            | 4.7       | A              | T110A475M010A(3)             | 0.4                      | 4              | 2255                               | 2495    | 2735     | 2975      | 4025             | 6025    | 7025     | 8025      | T212A475M010(2)S          |  |                           |  |  |
| 10            | 5.6       | B              | T110B565(1)010A(3)           | 0.4                      | 4              |                                    |         |          |           |                  |         |          |           |                           |  |                           |  |  |
| 10            | 6.8       | B              | T110B685(1)010A(3)           | 1.0                      | 6              |                                    |         |          |           |                  |         |          |           |                           |  |                           |  |  |
| 10            | 8.2       | B              | T110B825(1)010A(3)           | 1.0                      | 6              |                                    |         |          |           |                  |         |          |           |                           |  |                           |  |  |
| 10            | 10.0      | B              | T110B106(1)010A(3)           | 1.0                      | 6              |                                    |         |          |           |                  |         |          |           |                           |  |                           |  |  |
| 10            | 12.0      | B              | T110B126(1)010A(3)           | 1.0                      | 6              |                                    |         |          |           |                  |         |          |           |                           |  |                           |  |  |
| 10            | 15.0      | B              | T110B156(1)010A(3)           | 1.0                      | 6              |                                    |         |          |           |                  |         |          |           |                           |  |                           |  |  |
| 10            | 18.0      | B              | T110B186(1)010A(3)           | 1.0                      | 6              |                                    |         |          |           |                  |         |          |           |                           |  |                           |  |  |
| 10            | 22.0      | B              | T110B226(1)010A(3)           | 2.0                      | 6              |                                    |         |          |           |                  |         |          |           |                           |  |                           |  |  |
| 10            | 27.0      | B              | T110B276J010A(3)             | 2.0                      | 6              | 5011                               | 5211    | 5411     | 5611      | 4026             | 6026    | 7026     | 8026      | T212B276J010(2)S          |  |                           |  |  |
| 10            | 27.0      | B              | T110B276K010(3)              | 2.0                      | 6              | 2256                               | 2496    | 2736     | 2976      | 4027             | 6027    | 7027     | 8027      | T212B276K010(2)S          |  |                           |  |  |
| 10            | 27.0      | B              | T110B276M010A(3)             | 2.0                      | 6              |                                    |         |          |           |                  |         |          |           |                           |  |                           |  |  |
| 10            | 33.0      | B              | T110B336J010A(3)             | 2.0                      | 6              | 5012                               | 5212    | 5412     | 5612      | 4028             | 6028    | 7028     | 8028      | T212B336J010(2)S          |  |                           |  |  |
| 10            | 33.0      | B              | T110B336K010A(3)             | 2.0                      | 6              | 2257                               | 2497    | 2737     | 2977      | 4029             | 6029    | 7029     | 8029      | T212B336K010(2)S          |  |                           |  |  |
| 10            | 33.0      | B              | T110B336M010A(3)             | 2.0                      | 6              | 2258                               | 2498    | 2738     | 2978      | 4030             | 6030    | 7030     | 8030      | T212B336M010(2)S          |  |                           |  |  |
| 10            | 39.0      | B              | T110B396J010A(3)             | 2.0                      | 6              | 5013                               | 5213    | 5413     | 5613      | 4031             | 6031    | 7031     | 8031      | T212B396J010(2)S          |  |                           |  |  |
| 10            | 39.0      | B              | T110B396K010A(3)             | 2.0                      | 6              | 2259                               | 2499    | 2739     | 2979      | 4032             | 6032    | 7032     | 8032      | T212B396K010(2)S          |  |                           |  |  |
| 10            | 39.0      | B              | T110B396M010A(3)             | 2.0                      | 6              |                                    |         |          |           |                  |         |          |           |                           |  |                           |  |  |
| 10            | 47.0      | C              | T110C476(1)010A(3)           | 3.0                      | 6              |                                    |         |          |           |                  |         |          |           |                           |  |                           |  |  |
| 10            | 56.0      | C              | T110C566(1)010A(3)           | 3.0                      | 6              |                                    |         |          |           |                  |         |          |           |                           |  |                           |  |  |
| 10            | 68.0      | C              | T110C686(1)010A(3)           | 3.0                      | 6              |                                    |         |          |           |                  |         |          |           |                           |  |                           |  |  |
| 10            | 82.0      | C              | T110C826J010A(3)             | 3.0                      | 6              | 5014                               | 5214    | 5414     | 5614      | 4033             | 6033    | 7033     | 8033      | T212C826J010(2)S          |  |                           |  |  |
| 10            | 82.0      | C              | T110C826K010A(3)             | 3.0                      | 6              | 2260                               | 2500    | 2740     | 2980      | 4034             | 6034    | 7034     | 8034      | T212C826K010(2)S          |  |                           |  |  |
| 10            | 82.0      | C              | T110C826M010A(3)             | 3.0                      | 6              |                                    |         |          |           |                  |         |          |           |                           |  |                           |  |  |
| 10            | 100.0     | C              | T110C107J010AS               | 5.0                      | 6              | 5015                               | 5215    | 5415     | 5615      | 4035             | 6035    | 7035     | 8035      | T212C107J010(2)S          |  |                           |  |  |
| 10            | 100.0     | C              | T110C107K010AS               | 5.0                      | 6              | 2261                               | 2501    | 2741     | 2981      | 4036             | 6036    | 7036     | 8036      | T212C107K010(2)S          |  |                           |  |  |
| 10            | 100.0     | C              | T110C107M010AS               | 5.0                      | 6              | 2262                               | 2502    | 2742     | 2982      | 4037             | 6037    | 7037     | 8037      | T212C107M010(2)S          |  |                           |  |  |
| 10            | 120.0     | C              | T110C127J010AS               | 6.0                      | 6              | 5016                               | 5216    | 5416     | 5616      | 4038             | 6038    | 7038     | 8038      | T212C127J010(2)S          |  |                           |  |  |
| 10            | 120.0     | C              | T110C127K010A(3)             | 6.0                      | 6              | 2263                               | 2503    | 2743     | 2983      | 4039             | 6039    | 7039     | 8039      | T212C127K010(2)S          |  |                           |  |  |
| 10            | 120.0     | C              | T110C127M010A(3)             | 6.0                      | 6              |                                    |         |          |           |                  |         |          |           |                           |  |                           |  |  |
| 10            | 150.0     | D              | T110D157(1)010A(3)           | 9.0                      | 6              |                                    |         |          |           |                  |         |          |           |                           |  |                           |  |  |
| 10            | 180.0     | D              | T110D187J010A(3)             | 9.0                      | 6              | 5017                               | 5217    | 5417     | 5617      | 4040             | 6040    | 7040     | 8040      | T212D187J010(2)S          |  |                           |  |  |
| 10            | 180.0     | D              | T110D187K010A(3)             | 9.0                      | 6              | 2264                               | 2504    | 2744     | 2984      | 4041             | 6041    | 7041     | 8041      | T212D187K010(2)S          |  |                           |  |  |
| 10            | 180.0     | D              | T110D187M010A(3)             | 9.0                      | 6              |                                    |         |          |           |                  |         |          |           |                           |  |                           |  |  |
| 10            | 220.0     | D              | T110D227J010A(3)             | 10.0                     | 8              | 5018                               | 5218    | 5418     | 5618      | 4042             | 6042    | 7042     | 8042      | T212D227J010(2)S          |  |                           |  |  |
| (V) 85°C      | µF        | Case Size Code | (see below for part options) | µA at 25°C Max/5 Minimum | 120 Hz Maximum | M (1.0)                            | P (0.1) | R (0.01) | S (0.001) | G (1.0)          | B (0.1) | C (0.01) | D (0.001) | Part Number               |  |                           |  |  |
| Rated Voltage | Rated Cap | Case Size Code | KEMET Part Number            | DC Leakage               | DF % at 25°C   | MIL-PRF-39003 (CSR13) Capacitors   |         |          |           |                  |         |          |           |                           |  |                           |  |  |

(1) To complete KEMET Part Number, insert M for ±20%, K for ±10%, or J for 5%. Designates capacitance tolerance.  
(2) To complete KEMET Part Number (T212), insert Graded failure rate – B for 0.1%/k hours, C for 0.01%/k hours, D for 0.001%/k hours, or G for 1%/k hours; or insert Exponential failure rate – M for 1%/k hours, P for 0.1%/k hours, R for 0.01%/k hours, or S for 0.001%/k hours.  
Designates Reliability Level.  
(3) To complete KEMET Part Number (T110), insert Lead Material designator – S for Standard or T for 100% Matte Tin. Designates Termination finish.  
Refer to Ordering Information for additional detail.

**Table 1 – Ratings & Part Number Reference cont.**

| Rated Voltage | Rated Cap | Case Size Code | KEMET Part Number            | DC Leakage               | DF % at 25°C   | MIL-PRF-39003 (CSR13) Capacitors   |         |          |           |                  |         |          |           |             |                  | KEMET Equivalent Military |
|---------------|-----------|----------------|------------------------------|--------------------------|----------------|------------------------------------|---------|----------|-----------|------------------|---------|----------|-----------|-------------|------------------|---------------------------|
|               |           |                |                              |                          |                | Dash Number Reference              |         |          |           |                  |         |          |           | Part Number |                  |                           |
|               |           |                |                              |                          |                | Failure Rate Level (%/1,000 hours) |         |          |           |                  |         |          |           |             |                  |                           |
|               |           |                |                              |                          |                | MIL-PRF-39003/1K                   |         |          |           | MIL-PRF-39003/1K |         |          |           |             |                  |                           |
|               |           |                |                              |                          |                | Exponential                        |         |          |           | Graded           |         |          |           |             |                  |                           |
| (V) 85°C      | µF        |                | (See below for part options) | µA at 25°C Max/5 Minutes | 120 Hz Maximum | M (1.0)                            | P (0.1) | R (0.01) | S (0.001) | G (1.0)          | B (0.1) | C (0.01) | D (0.001) | Part Number |                  |                           |
| 10            | 220.0     | D              | T110D227K010A(3)             | 10.0                     | 8              |                                    |         |          |           |                  |         |          |           |             | T212D227K010(2)S |                           |
| 10            | 220.0     | D              | T110D227M010A(3)             | 10.0                     | 8              | 2265                               | 2505    | 2745     | 2985      | 4043             | 6043    | 7043     | 8043      |             | T212D227M010(2)S |                           |
| 15            | 0.33      | A              | T110A334(1)015A(3)           | 0.3                      | 3              |                                    |         |          |           |                  |         |          |           |             |                  |                           |
| 15            | 0.39      | A              | T110A394(1)015A(3)           | 0.3                      | 3              |                                    |         |          |           |                  |         |          |           |             |                  |                           |
| 15            | 0.47      | A              | T110A474(1)015A(3)           | 0.3                      | 3              |                                    |         |          |           |                  |         |          |           |             |                  |                           |
| 15            | 0.56      | A              | T110A564(1)015A(3)           | 0.3                      | 3              |                                    |         |          |           |                  |         |          |           |             |                  |                           |
| 15            | 0.68      | A              | T110A684(1)015A(3)           | 0.3                      | 3              |                                    |         |          |           |                  |         |          |           |             |                  |                           |
| 15            | 1.0       | A              | T110A105(1)015A(3)           | 0.3                      | 3              |                                    |         |          |           |                  |         |          |           |             |                  |                           |
| 15            | 1.2       | A              | T110A125(1)015A(3)           | 0.3                      | 3              |                                    |         |          |           |                  |         |          |           |             |                  |                           |
| 15            | 1.5       | A              | T110A155(1)015A(3)           | 0.3                      | 4              |                                    |         |          |           |                  |         |          |           |             |                  |                           |
| 15            | 1.8       | A              | T110A185(1)015A(3)           | 0.3                      | 4              |                                    |         |          |           |                  |         |          |           |             |                  |                           |
| 15            | 2.2       | A              | T110A225(1)015A(3)           | 0.3                      | 4              |                                    |         |          |           |                  |         |          |           |             |                  |                           |
| 15            | 2.7       | A              | T110A275J015A(3)             | 0.3                      | 4              | 5019                               | 5219    | 5419     | 5619      | 4045             | 6045    | 7045     | 8045      |             | T212A275J015(2)S |                           |
| 15            | 2.7       | A              | T110A275K015A(3)             | 0.3                      | 4              | 2267                               | 2507    | 2747     | 2987      | 4046             | 6046    | 7046     | 8046      |             | T212A275K015(2)S |                           |
| 15            | 2.7       | A              | T110A275M015A(3)             | 0.3                      | 4              |                                    |         |          |           |                  |         |          |           |             |                  |                           |
| 15            | 3.3       | A              | T110A335J015A(3)             | 0.4                      | 4              | 5020                               | 5220    | 5420     | 5620      | 4047             | 6047    | 7047     | 8047      |             | T212A335J015(2)S |                           |
| 15            | 3.3       | A              | T110A335K015A(3)             | 0.4                      | 4              | 2268                               | 2508    | 2748     | 2988      | 4048             | 6048    | 7048     | 8048      |             | T212A335K015(2)S |                           |
| 15            | 3.3       | A              | T110A335M015A(3)             | 0.4                      | 4              | 2269                               | 2509    | 2749     | 2989      | 4049             | 6049    | 7049     | 8049      |             | T212A335M015(2)S |                           |
| 15            | 3.9       | B              | T110B395(1)015A(3)           | 0.4                      | 4              |                                    |         |          |           |                  |         |          |           |             |                  |                           |
| 15            | 4.7       | B              | T110B475(1)015A(3)           | 0.7                      | 4              |                                    |         |          |           |                  |         |          |           |             |                  |                           |
| 15            | 5.6       | B              | T110B565(1)015A(3)           | 0.7                      | 4              |                                    |         |          |           |                  |         |          |           |             |                  |                           |
| 15            | 6.8       | B              | T110B685(1)015A(3)           | 0.7                      | 6              |                                    |         |          |           |                  |         |          |           |             |                  |                           |
| 15            | 8.2       | B              | T110B825(1)015A(3)           | 0.7                      | 6              |                                    |         |          |           |                  |         |          |           |             |                  |                           |
| 15            | 10.0      | B              | T110B106(1)015A(3)           | 1.0                      | 6              |                                    |         |          |           |                  |         |          |           |             |                  |                           |
| 15            | 12.0      | B              | T110B126(1)015A(3)           | 1.0                      | 6              |                                    |         |          |           |                  |         |          |           |             |                  |                           |
| 15            | 15.0      | B              | T110B156(1)015A(3)           | 2.0                      | 6              |                                    |         |          |           |                  |         |          |           |             |                  |                           |
| 15            | 18.0      | B              | T110B186J015A(3)             | 2.0                      | 6              | 5021                               | 5221    | 5421     | 5621      | 4050             | 6050    | 7050     | 8050      |             | T212B186J015(2)S |                           |
| 15            | 18.0      | B              | T110B186K015A(3)             | 2.0                      | 6              | 2270                               | 2510    | 2750     | 2990      | 4051             | 6051    | 7051     | 8051      |             | T212B186K015(2)S |                           |
| 15            | 18.0      | B              | T110B186M015A(3)             | 2.0                      | 6              |                                    |         |          |           |                  |         |          |           |             |                  |                           |
| 15            | 22.0      | B              | T110B226J015A(3)             | 2.0                      | 6              | 5022                               | 5222    | 5422     | 5622      | 4052             | 6052    | 7052     | 8052      |             | T212B226J015(2)S |                           |
| 15            | 22.0      | B              | T110B226K015A(3)             | 2.0                      | 6              | 2271                               | 2511    | 2751     | 2991      | 4053             | 6053    | 7053     | 8053      |             | T212B226K015(2)S |                           |
| 15            | 22.0      | B              | T110B226M015A(3)             | 2.0                      | 6              | 2272                               | 2512    | 2752     | 2992      | 4054             | 6054    | 7054     | 8054      |             | T212B226M015(2)S |                           |
| 15            | 27.0      | C              | T110C276(1)015A(3)           | 3.0                      | 6              |                                    |         |          |           |                  |         |          |           |             |                  |                           |
| 15            | 33.0      | C              | T110C336(1)015A(3)           | 3.0                      | 6              |                                    |         |          |           |                  |         |          |           |             |                  |                           |
| 15            | 39.0      | C              | T110C396(1)015A(3)           | 3.0                      | 6              |                                    |         |          |           |                  |         |          |           |             |                  |                           |
| 15            | 47.0      | C              | T110C476(1)015A(3)           | 4.0                      | 6              |                                    |         |          |           |                  |         |          |           |             |                  |                           |
| 15            | 56.0      | C              | T110C566J015A(3)             | 4.0                      | 6              | 5023                               | 5223    | 5423     | 5623      | 4055             | 6055    | 7055     | 8055      |             | T212C566J015(2)S |                           |
| 15            | 56.0      | C              | T110C566K015A(3)             | 4.0                      | 6              | 2273                               | 2513    | 2753     | 2993      | 4056             | 6056    | 7056     | 8056      |             | T212C566K015(2)S |                           |
| 15            | 56.0      | C              | T110C566M015A(3)             | 4.0                      | 6              |                                    |         |          |           |                  |         |          |           |             |                  |                           |
| 15            | 68.0      | C              | T110C686J015A(3)             | 5.0                      | 6              | 5024                               | 5224    | 5424     | 5624      | 4057             | 6057    | 7057     | 8057      |             | T212C686J015(2)S |                           |
| 15            | 68.0      | C              | T110C686K015A(3)             | 5.0                      | 6              | 2274                               | 2514    | 2754     | 2994      | 4058             | 6058    | 7058     | 8058      |             | T212C686K015(2)S |                           |
| 15            | 68.0      | C              | T110C686M015A(3)             | 5.0                      | 6              | 2275                               | 2515    | 2755     | 2995      | 4059             | 6059    | 7059     | 8059      |             | T212C686M015(2)S |                           |
| 15            | 82.0      | D              | T110D826(1)015A(3)           | 6.0                      | 6              |                                    |         |          |           |                  |         |          |           |             |                  |                           |
| 15            | 100.0     | D              | T110D107(1)015A(3)           | 6.0                      | 6              |                                    |         |          |           |                  |         |          |           |             |                  |                           |
| 15            | 120.0     | D              | T110D127J015A(3)             | 6.0                      | 6              | 5025                               | 5225    | 5425     | 5625      | 4060             | 6060    | 7060     | 8060      |             | T212D127J015(2)S |                           |
| (V) 85°C      | µF        | Case Size Code | (see below for part options) | µA at 25°C Max/5 Minimum | 120 Hz Maximum | M (1.0)                            | P (0.1) | R (0.01) | S (0.001) | G (1.0)          | B (0.1) | C (0.01) | D (0.001) | Part Number |                  |                           |
| Rated Voltage | Rated Cap | Case Size Code | KEMET Part Number            | DC Leakage               | DF % at 25°C   | MIL-PRF-39003 (CSR13) Capacitors   |         |          |           |                  |         |          |           |             |                  |                           |

(1) To complete KEMET Part Number, insert M for ±20%, K for ±10%, or J for 5%. Designates capacitance tolerance.  
 (2) To complete KEMET Part Number (T212), insert Graded failure rate – B for 0.1%/k hours, C for 0.01%/k hours, D for 0.001%/k hours, or G for 1%/k hours; or insert Exponential failure rate – M for 1%/k hours, P for 0.1%/k hours, R for 0.01%/k hours, or S for 0.001%/k hours.  
 Designates Reliability Level.  
 (3) To complete KEMET Part Number (T110), insert Lead Material designator – S for Standard or T for 100% Matte Tin. Designates Termination finish.  
 Refer to Ordering Information for additional detail.

**Table 1 – Ratings & Part Number Reference cont.**

| Rated Voltage | Rated Cap | Case Size Code | KEMET Part Number            | DC Leakage               | DF % at 25°C   | MIL-PRF-39003 (CSR13) Capacitors   |         |          |           |                  |         |          |           |                           |  |  |  |  |  |
|---------------|-----------|----------------|------------------------------|--------------------------|----------------|------------------------------------|---------|----------|-----------|------------------|---------|----------|-----------|---------------------------|--|--|--|--|--|
|               |           |                |                              |                          |                | Dash Number Reference              |         |          |           |                  |         |          |           | KEMET Equivalent Military |  |  |  |  |  |
|               |           |                |                              |                          |                | Failure Rate Level (%/1,000 hours) |         |          |           |                  |         |          |           |                           |  |  |  |  |  |
|               |           |                |                              |                          |                | MIL-PRF-39003/1K                   |         |          |           | MIL-PRF-39003/1K |         |          |           |                           |  |  |  |  |  |
|               |           |                |                              |                          |                | Exponential                        |         |          |           | Graded           |         |          |           |                           |  |  |  |  |  |
| (V) 85°C      | µF        |                | (See below for part options) | µA at 25°C Max/5 Minutes | 120 Hz Maximum | M (1.0)                            | P (0.1) | R (0.01) | S (0.001) | G (1.0)          | B (0.1) | C (0.01) | D (0.001) | Part Number               |  |  |  |  |  |
| 15            | 120.0     | D              | T110D127K015A(3)             | 6.0                      | 6              | 2276                               | 2516    | 2756     | 2996      | 4061             | 6061    | 7061     | 8061      | T212D127K015(2)S          |  |  |  |  |  |
| 15            | 120.0     | D              | T110D127M015A(3)             | 6.0                      | 6              |                                    |         |          |           |                  |         |          |           |                           |  |  |  |  |  |
| 15            | 150.0     | D              | T110D157J015A(3)             | 8.0                      | 6              | 5026                               | 5226    | 5426     | 5626      | 4062             | 6062    | 7062     | 8062      | T212D157J015(2)S          |  |  |  |  |  |
| 15            | 150.0     | D              | T110D157K015A(3)             | 8.0                      | 6              | 2277                               | 2517    | 2757     | 2997      | 4063             | 6063    | 7063     | 8063      | T212D157K015(2)S          |  |  |  |  |  |
| 15            | 150.0     | D              | T110D157M015A(3)             | 8.0                      | 6              | 2278                               | 2518    | 2758     | 2998      | 4064             | 6064    | 7064     | 8064      | T212D157M015(2)S          |  |  |  |  |  |
| 20            | 0.047     | A              | T110A473(1)020A(3)           | 0.3                      | 3              |                                    |         |          |           |                  |         |          |           |                           |  |  |  |  |  |
| 20            | 0.056     | A              | T110A563(1)020A(3)           | 0.3                      | 3              |                                    |         |          |           |                  |         |          |           |                           |  |  |  |  |  |
| 20            | 0.068     | A              | T110A683(1)020A(3)           | 0.3                      | 3              |                                    |         |          |           |                  |         |          |           |                           |  |  |  |  |  |
| 20            | 0.082     | A              | T110A823(1)020A(3)           | 0.3                      | 3              |                                    |         |          |           |                  |         |          |           |                           |  |  |  |  |  |
| 20            | 0.10      | A              | T110A104(1)020A(3)           | 0.3                      | 3              |                                    |         |          |           |                  |         |          |           |                           |  |  |  |  |  |
| 20            | 0.12      | A              | T110A124(1)020A(3)           | 0.3                      | 3              |                                    |         |          |           |                  |         |          |           |                           |  |  |  |  |  |
| 20            | 0.15      | A              | T110A154(1)020A(3)           | 0.3                      | 3              |                                    |         |          |           |                  |         |          |           |                           |  |  |  |  |  |
| 20            | 0.18      | A              | T110A184(1)020A(3)           | 0.3                      | 3              |                                    |         |          |           |                  |         |          |           |                           |  |  |  |  |  |
| 20            | 0.22      | A              | T110A224(1)020A(3)           | 0.3                      | 3              |                                    |         |          |           |                  |         |          |           |                           |  |  |  |  |  |
| 20            | 0.27      | A              | T110A274(1)020A(3)           | 0.3                      | 3              |                                    |         |          |           |                  |         |          |           |                           |  |  |  |  |  |
| 20            | 0.33      | A              | T110A334(1)020A(3)           | 0.3                      | 3              |                                    |         |          |           |                  |         |          |           |                           |  |  |  |  |  |
| 20            | 0.39      | A              | T110A394(1)020A(3)           | 0.3                      | 3              |                                    |         |          |           |                  |         |          |           |                           |  |  |  |  |  |
| 20            | 0.47      | A              | T110A474(1)020A(3)           | 0.3                      | 3              |                                    |         |          |           |                  |         |          |           |                           |  |  |  |  |  |
| 20            | 0.56      | A              | T110A564(1)020A(3)           | 0.3                      | 3              |                                    |         |          |           |                  |         |          |           |                           |  |  |  |  |  |
| 20            | 0.68      | A              | T110A684(1)020A(3)           | 0.3                      | 3              |                                    |         |          |           |                  |         |          |           |                           |  |  |  |  |  |
| 20            | 0.82      | A              | T110A824(1)020A(3)           | 0.3                      | 3              |                                    |         |          |           |                  |         |          |           |                           |  |  |  |  |  |
| 20            | 1.0       | A              | T110A105(1)020A(3)           | 0.3                      | 3              |                                    |         |          |           |                  |         |          |           |                           |  |  |  |  |  |
| 20            | 1.2       | A              | T110A125J020A(3)             | 0.3                      | 4              | 5027                               | 5227    | 5427     | 5627      | 4065             | 6065    | 7065     | 8065      | T212A125J020(2)S          |  |  |  |  |  |
| 20            | 1.2       | A              | T110A125K020A(3)             | 0.3                      | 4              | 2279                               | 2519    | 2759     | 2999      | 4066             | 6066    | 7066     | 8066      | T212A125K020(2)S          |  |  |  |  |  |
| 20            | 1.2       | A              | T110A125M020A(3)             | 0.3                      | 4              |                                    |         |          |           |                  |         |          |           |                           |  |  |  |  |  |
| 20            | 1.5       | A              | T110A155J020A(3)             | 0.3                      | 4              | 5028                               | 5228    | 5428     | 5628      | 4067             | 6067    | 7067     | 8067      | T212A155J020(2)S          |  |  |  |  |  |
| 20            | 1.5       | A              | T110A155K020A(3)             | 0.3                      | 4              | 2280                               | 2520    | 2760     | 3000      | 4068             | 6068    | 7068     | 8068      | T212A155K020(2)S          |  |  |  |  |  |
| 20            | 1.5       | A              | T110A155M020A(3)             | 0.3                      | 4              | 2281                               | 2521    | 2761     | 3001      | 4069             | 6069    | 7069     | 8069      | T212A155M020(2)S          |  |  |  |  |  |
| 20            | 1.8       | A              | T110A185J020A(3)             | 0.3                      | 4              | 5029                               | 5229    | 5429     | 5629      | 4070             | 6070    | 7070     | 8070      | T212A185J020(2)S          |  |  |  |  |  |
| 20            | 1.8       | A              | T110A185K020A(3)             | 0.3                      | 4              | 2282                               | 2522    | 2762     | 3002      | 4071             | 6071    | 7071     | 8071      | T212A185K020(2)S          |  |  |  |  |  |
| 20            | 1.8       | A              | T110A185M020A(3)             | 0.3                      | 4              |                                    |         |          |           |                  |         |          |           |                           |  |  |  |  |  |
| 20            | 2.2       | A              | T110A225J020A(3)             | 0.4                      | 4              | 5030                               | 5230    | 5430     | 5630      | 4072             | 6072    | 7072     | 8072      | T212A225J020(2)S          |  |  |  |  |  |
| 20            | 2.2       | A              | T110A225K020A(3)             | 0.4                      | 4              | 2283                               | 2523    | 2763     | 3003      | 4073             | 6073    | 7073     | 8073      | T212A225K020(2)S          |  |  |  |  |  |
| 20            | 2.2       | A              | T110A225M020A(3)             | 0.4                      | 4              | 2284                               | 2524    | 2764     | 3004      | 4074             | 6074    | 7074     | 8074      | T212A225M020(2)S          |  |  |  |  |  |
| 20            | 2.7       | B              | T110B275(1)020A(3)           | 0.5                      | 4              |                                    |         |          |           |                  |         |          |           |                           |  |  |  |  |  |
| 20            | 3.3       | B              | T110B335(1)020A(3)           | 1.0                      | 4              |                                    |         |          |           |                  |         |          |           |                           |  |  |  |  |  |
| 20            | 3.9       | B              | T110B395(1)020A(3)           | 1.0                      | 4              |                                    |         |          |           |                  |         |          |           |                           |  |  |  |  |  |
| 20            | 4.7       | B              | T110B475(1)020A(3)           | 1.0                      | 4              |                                    |         |          |           |                  |         |          |           |                           |  |  |  |  |  |
| 20            | 5.6       | B              | T110B565(1)020A(3)           | 1.0                      | 4              |                                    |         |          |           |                  |         |          |           |                           |  |  |  |  |  |
| 20            | 6.8       | B              | T110B685(1)020A(3)           | 1.0                      | 4              |                                    |         |          |           |                  |         |          |           |                           |  |  |  |  |  |
| 20            | 8.2       | B              | T110B825J020A(3)             | 1.0                      | 6              | 5031                               | 5231    | 5431     | 5631      | 4075             | 6075    | 7075     | 8075      | T212B825J020(2)S          |  |  |  |  |  |
| 20            | 8.2       | B              | T110B825K020A(3)             | 1.0                      | 6              | 2285                               | 2525    | 2765     | 3005      | 4076             | 6076    | 7076     | 8076      | T212B825K020(2)S          |  |  |  |  |  |
| 20            | 8.2       | B              | T110B825M020A(3)             | 1.0                      | 6              |                                    |         |          |           |                  |         |          |           |                           |  |  |  |  |  |
| 20            | 10.0      | B              | T110B106J020A(3)             | 1.0                      | 6              | 5032                               | 5232    | 5432     | 5632      | 4077             | 6077    | 7077     | 8077      | T212B106J020(2)S          |  |  |  |  |  |
| 20            | 10.0      | B              | T110B106K020A(3)             | 1.0                      | 6              | 2286                               | 2526    | 2766     | 3006      | 4078             | 6078    | 7078     | 8078      | T212B106K020(2)S          |  |  |  |  |  |
| (V) 85°C      | µF        | Case Size Code | (see below for part options) | µA at 25°C Max/5 Minimum | 120 Hz Maximum | M (1.0)                            | P (0.1) | R (0.01) | S (0.001) | G (1.0)          | B (0.1) | C (0.01) | D (0.001) | Part Number               |  |  |  |  |  |
| Rated Voltage | Rated Cap | Case Size Code | KEMET Part Number            | DC Leakage               | DF % at 25°C   | MIL-PRF-39003 (CSR13) Capacitors   |         |          |           |                  |         |          |           |                           |  |  |  |  |  |

- (1) To complete KEMET Part Number, insert M for ±20%, K for ±10%, or J for 5%. Designates capacitance tolerance.  
(2) To complete KEMET Part Number (T212), insert Graded failure rate – B for 0.1%/k hours, C for 0.01%/k hours, D for 0.001%/k hours, or G for 1%/k hours; or insert Exponential failure rate – M for 1%/k hours, P for 0.1%/k hours, R for 0.01%/k hours, or S for 0.001%/k hours.  
Designates Reliability Level.  
(3) To complete KEMET Part Number (T110), insert Lead Material designator – S for Standard or T for 100% Matte Tin. Designates Termination finish.  
Refer to Ordering Information for additional detail.

**Table 1 – Ratings & Part Number Reference cont.**

| Rated Voltage | Rated Cap | Case Size Code | KEMET Part Number            | DC Leakage               | DF % at 25°C   | MIL-PRF-39003 (CSR13) Capacitors   |         |          |           |         |                  |          |           |                  |  | KEMET Equivalent Military Part Number |
|---------------|-----------|----------------|------------------------------|--------------------------|----------------|------------------------------------|---------|----------|-----------|---------|------------------|----------|-----------|------------------|--|---------------------------------------|
|               |           |                |                              |                          |                | Dash Number Reference              |         |          |           |         |                  |          |           |                  |  |                                       |
|               |           |                |                              |                          |                | Failure Rate Level (%/1,000 hours) |         |          |           |         |                  |          |           |                  |  |                                       |
|               |           |                |                              |                          |                | MIL-PRF-39003/1K                   |         |          |           |         | MIL-PRF-39003/1K |          |           |                  |  |                                       |
|               |           |                |                              |                          |                | Exponential                        |         |          |           |         | Graded           |          |           |                  |  |                                       |
| (V) 85°C      | µF        |                | (See below for part options) | µA at 25°C Max/5 Minutes | 120 Hz Maximum | M (1.0)                            | P (0.1) | R (0.01) | S (0.001) | G (1.0) | B (0.1)          | C (0.01) | D (0.001) | Part Number      |  |                                       |
| 20            | 10.0      | B              | T110B106M020A(3)             | 1.0                      | 6              | 2287                               | 2527    | 2767     | 3007      | 4079    | 6079             | 7079     | 8079      | T212B106M020(2)S |  |                                       |
| 20            | 12.0      | B              | T110B126J020A(3)             | 1.0                      | 6              | 5033                               | 5233    | 5433     | 5633      | 4080    | 6080             | 7080     | 8080      | T212B126J020(2)S |  |                                       |
| 20            | 12.0      | B              | T110B126K020A(3)             | 1.0                      | 6              | 2288                               | 2528    | 2768     | 3008      | 4081    | 6081             | 7081     | 8081      | T212B126K020(2)S |  |                                       |
| 20            | 12.0      | B              | T110B126M020A(3)             | 1.0                      | 6              |                                    |         |          |           |         |                  |          |           |                  |  |                                       |
| 20            | 15.0      | B              | T110B156J020A(3)             | 2.0                      | 6              | 5034                               | 5234    | 5434     | 5634      | 4082    | 6082             | 7082     | 8082      | T212B156J020(2)S |  |                                       |
| 20            | 15.0      | B              | T110B156K020A(3)             | 2.0                      | 6              | 2289                               | 2529    | 2769     | 3009      | 4083    | 6083             | 7083     | 8083      | T212B156K020(2)S |  |                                       |
| 20            | 15.0      | B              | T110B156M020A(3)             | 2.0                      | 6              | 2290                               | 2530    | 2770     | 3010      | 4084    | 6084             | 7084     | 8084      | T212B156M020(2)S |  |                                       |
| 20            | 18.0      | C              | T110C186(1)020A(3)           | 2.0                      | 6              |                                    |         |          |           |         |                  |          |           |                  |  |                                       |
| 20            | 22.0      | C              | T110C226(1)020A(3)           | 2.5                      | 6              |                                    |         |          |           |         |                  |          |           |                  |  |                                       |
| 20            | 27.0      | C              | T110C276J020A(3)             | 2.5                      | 6              | 5035                               | 5235    | 5435     | 5635      | 4085    | 6085             | 7085     | 8085      | T212C276J020(2)S |  |                                       |
| 20            | 27.0      | C              | T110C276K020A(3)             | 2.5                      | 6              | 2291                               | 2531    | 2771     | 3011      | 4086    | 6086             | 7086     | 8086      | T212C276K020(2)S |  |                                       |
| 20            | 27.0      | C              | T110C276M020A(3)             | 2.5                      | 6              |                                    |         |          |           |         |                  |          |           |                  |  |                                       |
| 20            | 33.0      | C              | T110C336J020A(3)             | 3.0                      | 6              | 5036                               | 5236    | 5436     | 5636      | 4087    | 6087             | 7087     | 8087      | T212C336J020(2)S |  |                                       |
| 20            | 33.0      | C              | T110C336K020A(3)             | 3.0                      | 6              | 2292                               | 2532    | 2772     | 3012      | 4088    | 6088             | 7088     | 8088      | T212C336K020(2)S |  |                                       |
| 20            | 33.0      | C              | T110C336M020A(3)             | 3.0                      | 6              | 2293                               | 2533    | 2773     | 3013      | 4089    | 6089             | 7089     | 8089      | T212C336M020(2)S |  |                                       |
| 20            | 39.0      | C              | T110C396J020A(3)             | 3.0                      | 6              | 5037                               | 5237    | 5437     | 5637      | 4090    | 6090             | 7090     | 8090      | T212C396J020(2)S |  |                                       |
| 20            | 39.0      | C              | T110C396K020A(3)             | 3.0                      | 6              | 2294                               | 2534    | 2774     | 3014      | 4091    | 6091             | 7091     | 8091      | T212C396K020(2)S |  |                                       |
| 20            | 39.0      | C              | T110C396M020A(3)             | 3.0                      | 6              |                                    |         |          |           |         |                  |          |           |                  |  |                                       |
| 20            | 47.0      | C              | T110C476J020A(3)             | 4.5                      | 6              | 5038                               | 5238    | 5438     | 5638      | 4092    | 6092             | 7092     | 8092      | T212C476J020(2)S |  |                                       |
| 20            | 47.0      | C              | T110C476K020A(3)             | 4.5                      | 6              | 2295                               | 2535    | 2775     | 3015      | 4093    | 6093             | 7093     | 8093      | T212C476K020(2)S |  |                                       |
| 20            | 47.0      | C              | T110C476M020A(3)             | 4.5                      | 6              | 2296                               | 2536    | 2776     | 3016      | 4094    | 6094             | 7094     | 8094      | T212C476M020(2)S |  |                                       |
| 20            | 56.0      | D              | T110D566J020A(3)             | 5.5                      | 6              | 5039                               | 5239    | 5439     | 5639      | 4095    | 6095             | 7095     | 8095      | T212D566J020(2)S |  |                                       |
| 20            | 56.0      | D              | T110D566K020A(3)             | 5.5                      | 6              | 2297                               | 2537    | 2777     | 3017      | 4096    | 6096             | 7096     | 8096      | T212D566K020(2)S |  |                                       |
| 20            | 56.0      | D              | T110D566M020A(3)             | 5.5                      | 6              |                                    |         |          |           |         |                  |          |           |                  |  |                                       |
| 20            | 68.0      | D              | T110D686J020A(3)             | 6.0                      | 6              | 5040                               | 5240    | 5440     | 5640      | 4097    | 6097             | 7097     | 8097      | T212D686J020(2)S |  |                                       |
| 20            | 68.0      | D              | T110D686K020A(3)             | 6.0                      | 6              | 2298                               | 2538    | 2778     | 3018      | 4098    | 6098             | 7098     | 8098      | T212D686K020(2)S |  |                                       |
| 20            | 68.0      | D              | T110D686M020A(3)             | 6.0                      | 6              | 2299                               | 2539    | 2779     | 3019      | 4099    | 6099             | 7099     | 8099      | T212D686M020(2)S |  |                                       |
| 20            | 82.0      | D              | T110D826J020A(3)             | 6.0                      | 6              | 5041                               | 5241    | 5441     | 5641      | 4100    | 6100             | 7100     | 8100      | T212D826J020(2)S |  |                                       |
| 20            | 82.0      | D              | T110D826K020A(3)             | 6.0                      | 6              | 2300                               | 2540    | 2780     | 3020      | 4101    | 6101             | 7101     | 8101      | T212D826K020(2)S |  |                                       |
| 20            | 82.0      | D              | T110D826M020A(3)             | 6.0                      | 6              |                                    |         |          |           |         |                  |          |           |                  |  |                                       |
| 20            | 100.0     | D              | T110D107J020A(3)             | 10.0                     | 6              | 5042                               | 5242    | 5442     | 5642      | 4102    | 6102             | 7102     | 8102      | T212D107J020(2)S |  |                                       |
| 20            | 100.0     | D              | T110D107K020A(3)             | 10.0                     | 6              | 2301                               | 2541    | 2781     | 3021      | 4103    | 6103             | 7103     | 8103      | T212D107K020(2)S |  |                                       |
| 20            | 100.0     | D              | T110D107M020A(3)             | 10.0                     | 6              | 2302                               | 2542    | 2782     | 3022      | 4104    | 6104             | 7104     | 8104      | T212D107M020(2)S |  |                                       |
| 35            | 0.0047    | A              | T110A472(1)035A(3)           | 0.1                      | 3              |                                    |         |          |           |         |                  |          |           |                  |  |                                       |
| 35            | 0.0056    | A              | T110A562(1)035A(3)           | 0.1                      | 3              |                                    |         |          |           |         |                  |          |           |                  |  |                                       |
| 35            | 0.0068    | A              | T110A682(1)035A(3)           | 0.1                      | 3              |                                    |         |          |           |         |                  |          |           |                  |  |                                       |
| 35            | 0.0082    | A              | T110A822(1)035A(3)           | 0.1                      | 3              |                                    |         |          |           |         |                  |          |           |                  |  |                                       |
| 35            | 0.01      | A              | T110A103(1)035A(3)           | 0.1                      | 3              |                                    |         |          |           |         |                  |          |           |                  |  |                                       |
| 35            | 0.012     | A              | T110A123(1)035A(3)           | 0.1                      | 3              |                                    |         |          |           |         |                  |          |           |                  |  |                                       |
| 35            | 0.015     | A              | T110A153(1)035A(3)           | 0.1                      | 3              |                                    |         |          |           |         |                  |          |           |                  |  |                                       |
| 35            | 0.018     | A              | T110A183(1)035A(3)           | 0.1                      | 3              |                                    |         |          |           |         |                  |          |           |                  |  |                                       |
| 35            | 0.022     | A              | T110A223(1)035A(3)           | 0.1                      | 3              |                                    |         |          |           |         |                  |          |           |                  |  |                                       |
| 35            | 0.027     | A              | T110A273(1)035A(3)           | 0.1                      | 3              |                                    |         |          |           |         |                  |          |           |                  |  |                                       |
| 35            | 0.033     | A              | T110A333(1)035A(3)           | 0.1                      | 3              |                                    |         |          |           |         |                  |          |           |                  |  |                                       |
| 35            | 0.039     | A              | T110A393(1)035A(3)           | 0.1                      | 3              |                                    |         |          |           |         |                  |          |           |                  |  |                                       |
| (V) 85°C      | µF        | Case Size Code | (see below for part options) | µA at 25°C Max/5 Minimum | 120 Hz Maximum | M (1.0)                            | P (0.1) | R (0.01) | S (0.001) | G (1.0) | B (0.1)          | C (0.01) | D (0.001) | Part Number      |  |                                       |
| Rated Voltage | Rated Cap | Case Size Code | KEMET Part Number            | DC Leakage               | DF % at 25°C   | MIL-PRF-39003 (CSR13) Capacitors   |         |          |           |         |                  |          |           |                  |  |                                       |

(1) To complete KEMET Part Number, insert M for ±20%, K for ±10%, or J for 5%. Designates capacitance tolerance.  
 (2) To complete KEMET Part Number (T212), insert Graded failure rate – B for 0.1%/k hours, C for 0.01%/k hours, D for 0.001%/k hours, or G for 1%/k hours; or insert Exponential failure rate – M for 1%/k hours, P for 0.1%/k hours, R for 0.01%/k hours, or S for 0.001%/k hours.  
 Designates Reliability Level.  
 (3) To complete KEMET Part Number (T110), insert Lead Material designator – S for Standard or T for 100% Matte Tin. Designates Termination finish.  
 Refer to Ordering Information for additional detail.



**Table 1 – Ratings & Part Number Reference cont.**

| Rated Voltage | Rated Cap | Case Size Code | KEMET Part Number            | DC Leakage               | DF % at 25°C   | MIL-PRF-39003 (CSR13) Capacitors   |         |          |           |                  |         |          |           |                           |  | KEMET Equivalent Military |  |  |
|---------------|-----------|----------------|------------------------------|--------------------------|----------------|------------------------------------|---------|----------|-----------|------------------|---------|----------|-----------|---------------------------|--|---------------------------|--|--|
|               |           |                |                              |                          |                | Dash Number Reference              |         |          |           |                  |         |          |           | KEMET Equivalent Military |  |                           |  |  |
|               |           |                |                              |                          |                | Failure Rate Level (%/1,000 hours) |         |          |           |                  |         |          |           |                           |  |                           |  |  |
|               |           |                |                              |                          |                | MIL-PRF-39003/1K                   |         |          |           | MIL-PRF-39003/1K |         |          |           |                           |  |                           |  |  |
|               |           |                |                              |                          |                | Exponential                        |         |          |           | Graded           |         |          |           |                           |  |                           |  |  |
| (V) 85°C      | µF        |                | (See below for part options) | µA at 25°C Max/5 Minutes | 120 Hz Maximum | M (1.0)                            | P (0.1) | R (0.01) | S (0.001) | G (1.0)          | B (0.1) | C (0.01) | D (0.001) | Part Number               |  |                           |  |  |
| 35            | 0.047     | A              | T110A473(1)035A(3)           | 0.1                      | 3              |                                    |         |          |           |                  |         |          |           |                           |  |                           |  |  |
| 35            | 0.056     | A              | T110A563(1)035A(3)           | 0.1                      | 3              |                                    |         |          |           |                  |         |          |           |                           |  |                           |  |  |
| 35            | 0.068     | A              | T110A683(1)035A(3)           | 0.1                      | 3              |                                    |         |          |           |                  |         |          |           |                           |  |                           |  |  |
| 35            | 0.082     | A              | T110A823(1)035A(3)           | 0.1                      | 3              |                                    |         |          |           |                  |         |          |           |                           |  |                           |  |  |
| 35            | 0.1       | A              | T110A104(1)035A(3)           | 0.5                      | 3              |                                    |         |          |           |                  |         |          |           |                           |  |                           |  |  |
| 35            | 0.12      | A              | T110A124(1)035A(3)           | 0.5                      | 3              |                                    |         |          |           |                  |         |          |           |                           |  |                           |  |  |
| 35            | 0.15      | A              | T110A154(1)035A(3)           | 0.5                      | 3              |                                    |         |          |           |                  |         |          |           |                           |  |                           |  |  |
| 35            | 0.18      | A              | T110A184(1)035A(3)           | 0.5                      | 3              |                                    |         |          |           |                  |         |          |           |                           |  |                           |  |  |
| 35            | 0.22      | A              | T110A224(1)035A(3)           | 0.5                      | 3              |                                    |         |          |           |                  |         |          |           |                           |  |                           |  |  |
| 35            | 0.27      | A              | T110A274(1)035A(3)           | 0.5                      | 3              |                                    |         |          |           |                  |         |          |           |                           |  |                           |  |  |
| 35            | 0.33      | A              | T110A334(1)035A(3)           | 0.5                      | 3              |                                    |         |          |           |                  |         |          |           |                           |  |                           |  |  |
| 35            | 0.39      | A              | T110A394(1)035A(3)           | 0.5                      | 3              |                                    |         |          |           |                  |         |          |           |                           |  |                           |  |  |
| 35            | 0.47      | A              | T110A474(1)035A(3)           | 0.5                      | 3              |                                    |         |          |           |                  |         |          |           |                           |  |                           |  |  |
| 35            | 0.56      | A              | T110A564(1)035A(3)           | 0.5                      | 3              |                                    |         |          |           |                  |         |          |           |                           |  |                           |  |  |
| 35            | 0.68      | A              | T110A684(1)035A(3)           | 0.5                      | 3              |                                    |         |          |           |                  |         |          |           |                           |  |                           |  |  |
| 35            | 0.82      | A              | T110A824(1)035A(3)           | 0.5                      | 3              |                                    |         |          |           |                  |         |          |           |                           |  |                           |  |  |
| 35            | 1.0       | A              | T110A105(1)035A(3)           | 0.5                      | 6              |                                    |         |          |           |                  |         |          |           |                           |  |                           |  |  |
| 35            | 1.2       | B              | T110B125(1)035A(3)           | 0.5                      | 4              |                                    |         |          |           |                  |         |          |           |                           |  |                           |  |  |
| 35            | 1.5       | B              | T110B155(1)035A(3)           | 0.5                      | 4              |                                    |         |          |           |                  |         |          |           |                           |  |                           |  |  |
| 35            | 1.8       | B              | T110B185(1)035A(3)           | 0.5                      | 4              |                                    |         |          |           |                  |         |          |           |                           |  |                           |  |  |
| 35            | 2.2       | B              | T110B225(1)035A(3)           | 1.0                      | 4              |                                    |         |          |           |                  |         |          |           |                           |  |                           |  |  |
| 35            | 2.7       | B              | T110B275(1)035A(3)           | 1.0                      | 4              |                                    |         |          |           |                  |         |          |           |                           |  |                           |  |  |
| 35            | 3.3       | B              | T110B335(1)035A(3)           | 1.0                      | 4              |                                    |         |          |           |                  |         |          |           |                           |  |                           |  |  |
| 35            | 3.9       | B              | T110B395(1)035A(3)           | 1.0                      | 4              |                                    |         |          |           |                  |         |          |           |                           |  |                           |  |  |
| 35            | 4.7       | B              | T110B475(1)035A(3)           | 1.0                      | 4              |                                    |         |          |           |                  |         |          |           |                           |  |                           |  |  |
| 35            | 5.6       | B              | T110B565J035A(3)             | 1.0                      | 4              | 5043                               | 5243    | 5443     | 5643      | 4105             | 6105    | 7105     | 8105      | T212B565J035(2)S          |  |                           |  |  |
| 35            | 5.6       | B              | T110B565K035A(3)             | 1.0                      | 4              | 2303                               | 2543    | 2783     | 3023      | 4106             | 6106    | 7106     | 8106      | T212B565K035(2)S          |  |                           |  |  |
| 35            | 5.6       | B              | T110B565M035A(3)             | 1.0                      | 4              |                                    |         |          |           |                  |         |          |           |                           |  |                           |  |  |
| 35            | 6.8       | B              | T110B685J035A(3)             | 1.5                      | 4              | 5044                               | 5244    | 5444     | 5644      | 4107             | 6107    | 7107     | 8107      | T212B685J035(2)S          |  |                           |  |  |
| 35            | 6.8       | B              | T110B685K035A(3)             | 1.5                      | 4              | 2304                               | 2544    | 2784     | 3024      | 4108             | 6108    | 7108     | 8108      | T212B685K035(2)S          |  |                           |  |  |
| 35            | 6.8       | B              | T110B685M035A(3)             | 1.5                      | 6              | 2305                               | 2545    | 2785     | 3025      | 4109             | 6109    | 7109     | 8109      | T212B685M035(2)S          |  |                           |  |  |
| 35            | 8.2       | C              | T110C825(1)035A(3)           | 3.0                      | 4              |                                    |         |          |           |                  |         |          |           |                           |  |                           |  |  |
| 35            | 10.0      | C              | T110C106(1)035A(3)           | 3.0                      | 4              |                                    |         |          |           |                  |         |          |           |                           |  |                           |  |  |
| 35            | 12.0      | C              | T110C126(1)035A(3)           | 3.0                      | 4              |                                    |         |          |           |                  |         |          |           |                           |  |                           |  |  |
| 35            | 15.0      | C              | T110C156(1)035A(3)           | 3.0                      | 4              |                                    |         |          |           |                  |         |          |           |                           |  |                           |  |  |
| 35            | 18.0      | C              | T110C186(1)035A(3)           | 3.0                      | 4              |                                    |         |          |           |                  |         |          |           |                           |  |                           |  |  |
| 35            | 22.0      | C              | T110C226J035A(3)             | 4.0                      | 4              | 5045                               | 5245    | 5445     | 5645      | 4110             | 6110    | 7110     | 8110      | T212C226J035(2)S          |  |                           |  |  |
| 35            | 22.0      | C              | T110C226K035A(3)             | 4.0                      | 4              | 2306                               | 2546    | 2786     | 3026      | 4111             | 6111    | 7111     | 8111      | T212C226K035(2)S          |  |                           |  |  |
| 35            | 22.0      | C              | T110C226M035A(3)             | 4.0                      | 4              | 2307                               | 2547    | 2787     | 3027      | 4112             | 6112    | 7112     | 8112      | T212C226M035(2)S          |  |                           |  |  |
| 35            | 27.0      | D              | T110D276J035A(3)             | 4.5                      | 4              | 5046                               | 5246    | 5446     | 5646      | 4113             | 6113    | 7113     | 8113      | T212D276J035(2)S          |  |                           |  |  |
| 35            | 27.0      | D              | T110D276K035A(3)             | 4.5                      | 4              | 2308                               | 2548    | 2788     | 3028      | 4114             | 6114    | 7114     | 8114      | T212D276K035(2)S          |  |                           |  |  |
| 35            | 27.0      | D              | T110D276M035A(3)             | 4.5                      | 4              |                                    |         |          |           |                  |         |          |           |                           |  |                           |  |  |
| 35            | 33.0      | D              | T110D336J035A(3)             | 5.5                      | 4              | 5047                               | 5247    | 5447     | 5647      | 4115             | 6115    | 7115     | 8115      | T212D336J035(2)S          |  |                           |  |  |
| 35            | 33.0      | D              | T110D336K035A(3)             | 5.5                      | 4              | 2309                               | 2549    | 2789     | 3029      | 4116             | 6116    | 7116     | 8116      | T212D336K035(2)S          |  |                           |  |  |
| 35            | 33.0      | D              | T110D336M035A(3)             | 5.5                      | 4              | 2310                               | 2550    | 2790     | 3030      | 4117             | 6117    | 7117     | 8117      | T212D336M035(2)S          |  |                           |  |  |
| (V) 85°C      | µF        | Case Size Code | (see below for part options) | µA at 25°C Max/5 Minimum | 120 Hz Maximum | M (1.0)                            | P (0.1) | R (0.01) | S (0.001) | G (1.0)          | B (0.1) | C (0.01) | D (0.001) | Part Number               |  |                           |  |  |
| Rated Voltage | Rated Cap | Case Size Code | KEMET Part Number            | DC Leakage               | DF % at 25°C   | MIL-PRF-39003 (CSR13) Capacitors   |         |          |           |                  |         |          |           |                           |  |                           |  |  |

- (1) To complete KEMET Part Number, insert M for ±20%, K for ±10%, or J for 5%. Designates capacitance tolerance.  
 (2) To complete KEMET Part Number (T212), insert Graded failure rate – B for 0.1%/k hours, C for 0.01%/k hours, D for 0.001%/k hours, or G for 1%/k hours; or insert Exponential failure rate – M for 1%/k hours, P for 0.1%/k hours, R for 0.01%/k hours, or S for 0.001%/k hours.  
 Designates Reliability Level.  
 (3) To complete KEMET Part Number (T110), insert Lead Material designator – S for Standard or T for 100% Matte Tin. Designates Termination finish.  
 Refer to Ordering Information for additional detail.

**Table 1 – Ratings & Part Number Reference cont.**

| Rated Voltage | Rated Cap | Case Size Code | KEMET Part Number            | DC Leakage               | DF % at 25°C   | MIL-PRF-39003 (CSR13) Capacitors   |         |          |           |         |         |          |                  |                  |  |  |  |  |  |                           |
|---------------|-----------|----------------|------------------------------|--------------------------|----------------|------------------------------------|---------|----------|-----------|---------|---------|----------|------------------|------------------|--|--|--|--|--|---------------------------|
|               |           |                |                              |                          |                | Dash Number Reference              |         |          |           |         |         |          |                  |                  |  |  |  |  |  | KEMET Equivalent Military |
|               |           |                |                              |                          |                | Failure Rate Level (%/1,000 hours) |         |          |           |         |         |          |                  |                  |  |  |  |  |  |                           |
|               |           |                |                              |                          |                | MIL-PRF-39003/1K                   |         |          |           |         |         |          | MIL-PRF-39003/1K |                  |  |  |  |  |  |                           |
|               |           |                |                              |                          |                | Exponential                        |         |          |           |         |         |          | Graded           |                  |  |  |  |  |  |                           |
| (V) 85°C      | µF        |                | (See below for part options) | µA at 25°C Max/5 Minutes | 120 Hz Maximum | M (1.0)                            | P (0.1) | R (0.01) | S (0.001) | G (1.0) | B (0.1) | C (0.01) | D (0.001)        | Part Number      |  |  |  |  |  |                           |
| 35            | 39.0      | D              | T110D396J035A(3)             | 6.0                      | 4              | 5048                               | 5248    | 5448     | 5648      | 4118    | 6118    | 7118     | 8118             | T212D396J035(2)S |  |  |  |  |  |                           |
| 35            | 39.0      | D              | T110D396K035A(3)             | 6.0                      | 4              | 2311                               | 2551    | 2791     | 3031      | 4119    | 6119    | 7119     | 8119             | T212D396K035(2)S |  |  |  |  |  |                           |
| 35            | 39.0      | D              | T110D396M035A(3)             | 6.0                      | 4              |                                    |         |          |           |         |         |          |                  |                  |  |  |  |  |  |                           |
| 35            | 47.0      | D              | T110D476J035A(3)             | 8.0                      | 4              | 5049                               | 5249    | 5449     | 5649      | 4120    | 6120    | 7120     | 8120             | T212D476J035(2)S |  |  |  |  |  |                           |
| 35            | 47.0      | D              | T110D476K035A(3)             | 8.0                      | 4              | 2312                               | 2552    | 2792     | 3032      | 4121    | 6121    | 7121     | 8121             | T212D476K035(2)S |  |  |  |  |  |                           |
| 35            | 47.0      | D              | T110D476M035A(3)             | 8.0                      | 4              | 2313                               | 2553    | 2793     | 3033      | 4122    | 6122    | 7122     | 8122             | T212D476M035(2)S |  |  |  |  |  |                           |
| 50            | 0.0047    | A              | T110A472J050A(3)             | 0.1                      | 2              | 5050                               | 5250    | 5450     | 5650      | 4123    | 6123    | 7123     | 8123             | T212A472J050(2)S |  |  |  |  |  |                           |
| 50            | 0.0047    | A              | T110A472K050A(3)             | 0.1                      | 2              | 2314                               | 2554    | 2794     | 3034      | 4124    | 6124    | 7124     | 8124             | T212A472K050(2)S |  |  |  |  |  |                           |
| 50            | 0.0047    | A              | T110A472M050A(3)             | 0.1                      | 2              | 2315                               | 2555    | 2795     | 3035      | 4125    | 6125    | 7125     | 8125             | T212A472M050(2)S |  |  |  |  |  |                           |
| 50            | 0.0056    | A              | T110A562J050A(3)             | 0.1                      | 2              | 5051                               | 5251    | 5451     | 5651      | 4126    | 6126    | 7126     | 8126             | T212A562J050(2)S |  |  |  |  |  |                           |
| 50            | 0.0056    | A              | T110A562K050A(3)             | 0.1                      | 2              | 2316                               | 2556    | 2796     | 3036      | 4127    | 6127    | 7127     | 8127             | T212A562K050(2)S |  |  |  |  |  |                           |
| 50            | 0.0056    | A              | T110A562M050A(3)             | 0.1                      | 2              |                                    |         |          |           |         |         |          |                  |                  |  |  |  |  |  |                           |
| 50            | 0.0068    | A              | T110A682J050A(3)             | 0.1                      | 2              | 5052                               | 5252    | 5452     | 5652      | 4128    | 6128    | 7128     | 8128             | T212A682J050(2)S |  |  |  |  |  |                           |
| 50            | 0.0068    | A              | T110A682K050A(3)             | 0.1                      | 2              | 2317                               | 2557    | 2797     | 3037      | 4129    | 6129    | 7129     | 8129             | T212A682K050(2)S |  |  |  |  |  |                           |
| 50            | 0.0068    | A              | T110A682M050A(3)             | 0.1                      | 2              | 2318                               | 2558    | 2798     | 3038      | 4130    | 6130    | 7130     | 8130             | T212A682M050(2)S |  |  |  |  |  |                           |
| 50            | 0.0082    | A              | T110A822J050A(3)             | 0.1                      | 2              | 5053                               | 5253    | 5453     | 5653      | 4131    | 6131    | 7131     | 8131             | T212A822J050(2)S |  |  |  |  |  |                           |
| 50            | 0.0082    | A              | T110A822K050A(3)             | 0.1                      | 2              | 2319                               | 2559    | 2799     | 3039      | 4132    | 6132    | 7132     | 8132             | T212A822K050(2)S |  |  |  |  |  |                           |
| 50            | 0.0082    | A              | T110A822M050A(3)             | 0.1                      | 2              |                                    |         |          |           |         |         |          |                  |                  |  |  |  |  |  |                           |
| 50            | 0.01      | A              | T110A103J050A(3)             | 0.1                      | 2              | 5054                               | 5254    | 5454     | 5654      | 4133    | 6133    | 7133     | 8133             | T212A103J050(2)S |  |  |  |  |  |                           |
| 50            | 0.01      | A              | T110A103K050A(3)             | 0.1                      | 2              | 2320                               | 2560    | 2800     | 3040      | 4134    | 6134    | 7134     | 8134             | T212A103K050(2)S |  |  |  |  |  |                           |
| 50            | 0.01      | A              | T110A103M050A(3)             | 0.1                      | 2              | 2321                               | 2561    | 2801     | 3041      | 4135    | 6135    | 7135     | 8135             | T212A103M050(2)S |  |  |  |  |  |                           |
| 50            | 0.012     | A              | T110A123J050A(3)             | 0.1                      | 2              | 5055                               | 5255    | 5455     | 5655      | 4136    | 6136    | 7136     | 8136             | T212A123J050(2)S |  |  |  |  |  |                           |
| 50            | 0.012     | A              | T110A123K050A(3)             | 0.1                      | 2              | 2322                               | 2562    | 2802     | 3042      | 4137    | 6137    | 7137     | 8137             | T212A123K050(2)S |  |  |  |  |  |                           |
| 50            | 0.012     | A              | T110A123M050A(3)             | 0.1                      | 2              |                                    |         |          |           |         |         |          |                  |                  |  |  |  |  |  |                           |
| 50            | 0.015     | A              | T110A153J050A(3)             | 0.1                      | 2              | 5056                               | 5256    | 5456     | 5656      | 4138    | 6138    | 7138     | 8138             | T212A153J050(2)S |  |  |  |  |  |                           |
| 50            | 0.015     | A              | T110A153K050A(3)             | 0.1                      | 2              | 2323                               | 2563    | 2803     | 3043      | 4139    | 6139    | 7139     | 8139             | T212A153K050(2)S |  |  |  |  |  |                           |
| 50            | 0.015     | A              | T110A153M050A(3)             | 0.1                      | 2              | 2324                               | 2564    | 2804     | 3044      | 4140    | 6140    | 7140     | 8140             | T212A153M050(2)S |  |  |  |  |  |                           |
| 50            | 0.018     | A              | T110A183J050A(3)             | 0.1                      | 2              | 5057                               | 5257    | 5457     | 5657      | 4141    | 6141    | 7141     | 8141             | T212A183J050(2)S |  |  |  |  |  |                           |
| 50            | 0.018     | A              | T110A183K050A(3)             | 0.1                      | 2              | 2325                               | 2565    | 2805     | 3045      | 4142    | 6142    | 7142     | 8142             | T212A183K050(2)S |  |  |  |  |  |                           |
| 50            | 0.018     | A              | T110A183M050A(3)             | 0.1                      | 2              |                                    |         |          |           |         |         |          |                  |                  |  |  |  |  |  |                           |
| 50            | 0.022     | A              | T110A223J050A(3)             | 0.1                      | 2              | 5058                               | 5258    | 5458     | 5658      | 4143    | 6143    | 7143     | 8143             | T212A223J050(2)S |  |  |  |  |  |                           |
| 50            | 0.022     | A              | T110A223K050A(3)             | 0.1                      | 2              | 2326                               | 2566    | 2806     | 3046      | 4144    | 6144    | 7144     | 8144             | T212A223K050(2)S |  |  |  |  |  |                           |
| 50            | 0.022     | A              | T110A223M050A(3)             | 0.1                      | 2              | 2327                               | 2567    | 2807     | 3047      | 4145    | 6145    | 7145     | 8145             | T212A223M050(2)S |  |  |  |  |  |                           |
| 50            | 0.027     | A              | T110A273J050A(3)             | 0.1                      | 2              | 5059                               | 5259    | 5459     | 5659      | 4146    | 6146    | 7146     | 8146             | T212A273J050(2)S |  |  |  |  |  |                           |
| 50            | 0.027     | A              | T110A273K050A(3)             | 0.1                      | 2              | 2328                               | 2568    | 2808     | 3048      | 4147    | 6147    | 7147     | 8147             | T212A273K050(2)S |  |  |  |  |  |                           |
| 50            | 0.027     | A              | T110A273M050A(3)             | 0.1                      | 2              |                                    |         |          |           |         |         |          |                  |                  |  |  |  |  |  |                           |
| 50            | 0.033     | A              | T110A333J050A(3)             | 0.1                      | 2              | 5060                               | 5260    | 5460     | 5660      | 4148    | 6148    | 7148     | 8148             | T212A333J050(2)S |  |  |  |  |  |                           |
| 50            | 0.033     | A              | T110A333K050A(3)             | 0.1                      | 2              | 2329                               | 2569    | 2809     | 3049      | 4149    | 6149    | 7149     | 8149             | T212A333K050(2)S |  |  |  |  |  |                           |
| 50            | 0.033     | A              | T110A333M050A(3)             | 0.1                      | 2              | 2330                               | 2570    | 2810     | 3050      | 4150    | 6150    | 7150     | 8150             | T212A333M050(2)S |  |  |  |  |  |                           |
| 50            | 0.039     | A              | T110A393J050A(3)             | 0.1                      | 2              | 5061                               | 5261    | 5461     | 5661      | 4151    | 6151    | 7151     | 8151             | T212A393J050(2)S |  |  |  |  |  |                           |
| 50            | 0.039     | A              | T110A393K050A(3)             | 0.1                      | 2              | 2331                               | 2571    | 2811     | 3051      | 4152    | 6152    | 7152     | 8152             | T212A393K050(2)S |  |  |  |  |  |                           |
| 50            | 0.039     | A              | T110A393M050A(3)             | 0.1                      | 2              |                                    |         |          |           |         |         |          |                  |                  |  |  |  |  |  |                           |
| 50            | 0.047     | A              | T110A473J050A(3)             | 0.1                      | 2              | 5062                               | 5262    | 5462     | 5662      | 4153    | 6153    | 7153     | 8153             | T212A473J050(2)S |  |  |  |  |  |                           |
| 50            | 0.047     | A              | T110A473K050A(3)             | 0.1                      | 2              | 2332                               | 2572    | 2812     | 3052      | 4154    | 6154    | 7154     | 8154             | T212A473K050(2)S |  |  |  |  |  |                           |
| 50            | 0.047     | A              | T110A473M050A(3)             | 0.1                      | 2              | 2333                               | 2573    | 2813     | 3053      | 4155    | 6155    | 7155     | 8155             | T212A473M050(2)S |  |  |  |  |  |                           |
| (V) 85°C      | µF        | Case Size Code | (see below for part options) | µA at 25°C Max/5 Minimum | 120 Hz Maximum | M (1.0)                            | P (0.1) | R (0.01) | S (0.001) | G (1.0) | B (0.1) | C (0.01) | D (0.001)        | Part Number      |  |  |  |  |  |                           |
| Rated Voltage | Rated Cap | Case Size Code | KEMET Part Number            | DC Leakage               | DF % at 25°C   | MIL-PRF-39003 (CSR13) Capacitors   |         |          |           |         |         |          |                  |                  |  |  |  |  |  |                           |

(1) To complete KEMET Part Number, insert M for ±20%, K for ±10%, or J for 5%. Designates capacitance tolerance.  
 (2) To complete KEMET Part Number (T212), insert Graded failure rate – B for 0.1%/k hours, C for 0.01%/k hours, D for 0.001%/k hours, or G for 1%/k hours; or insert Exponential failure rate – M for 1%/k hours, P for 0.1%/k hours, R for 0.01%/k hours, or S for 0.001%/k hours.  
 Designates Reliability Level.  
 (3) To complete KEMET Part Number (T110), insert Lead Material designator – S for Standard or T for 100% Matte Tin. Designates Termination finish.  
 Refer to Ordering Information for additional detail.

**Table 1 – Ratings & Part Number Reference cont.**

| Rated Voltage | Rated Cap | Case Size Code | KEMET Part Number            | DC Leakage               | DF % at 25°C   | MIL-PRF-39003 (CSR13) Capacitors   |         |          |           |                  |         |          |           |                  |  | KEMET Equivalent Military |
|---------------|-----------|----------------|------------------------------|--------------------------|----------------|------------------------------------|---------|----------|-----------|------------------|---------|----------|-----------|------------------|--|---------------------------|
|               |           |                |                              |                          |                | Dash Number Reference              |         |          |           |                  |         |          |           | Part Number      |  |                           |
|               |           |                |                              |                          |                | Failure Rate Level (%/1,000 hours) |         |          |           |                  |         |          |           |                  |  |                           |
|               |           |                |                              |                          |                | MIL-PRF-39003/1K                   |         |          |           | MIL-PRF-39003/1K |         |          |           |                  |  |                           |
|               |           |                |                              |                          |                | Exponential                        |         |          |           | Graded           |         |          |           |                  |  |                           |
| (V) 85°C      | µF        |                | (See below for part options) | µA at 25°C Max/5 Minutes | 120 Hz Maximum | M (1.0)                            | P (0.1) | R (0.01) | S (0.001) | G (1.0)          | B (0.1) | C (0.01) | D (0.001) | Part Number      |  |                           |
| 50            | 0.056     | A              | T110A563J050A(3)             | 0.1                      | 2              | 5063                               | 5263    | 5463     | 5663      | 4156             | 6156    | 7156     | 8156      | T212A563J050(2)S |  |                           |
| 50            | 0.056     | A              | T110A563K050A(3)             | 0.1                      | 2              | 2334                               | 2574    | 2814     | 3054      | 4157             | 6157    | 7157     | 8157      | T212A563K050(2)S |  |                           |
| 50            | 0.056     | A              | T110A563M050A(3)             | 0.1                      | 2              |                                    |         |          |           |                  |         |          |           |                  |  |                           |
| 50            | 0.068     | A              | T110A683J050A(3)             | 0.1                      | 2              | 5064                               | 5264    | 5464     | 5664      | 4158             | 6158    | 7158     | 8158      | T212A683J050(2)S |  |                           |
| 50            | 0.068     | A              | T110A683K050A(3)             | 0.1                      | 2              | 2335                               | 2575    | 2815     | 3055      | 4159             | 6159    | 7159     | 8159      | T212A683K050(2)S |  |                           |
| 50            | 0.068     | A              | T110A683M050A(3)             | 0.1                      | 2              | 2336                               | 2576    | 2816     | 3056      | 4160             | 6160    | 7160     | 8160      | T212A683M050(2)S |  |                           |
| 50            | 0.082     | A              | T110A823J050A(3)             | 0.1                      | 2              | 5065                               | 5265    | 5465     | 5665      | 4161             | 6161    | 7161     | 8161      | T212A823J050(2)S |  |                           |
| 50            | 0.082     | A              | T110A823K050A(3)             | 0.1                      | 2              | 2337                               | 2577    | 2817     | 3057      | 4162             | 6162    | 7162     | 8162      | T212A823K050(2)S |  |                           |
| 50            | 0.082     | A              | T110A823M050A(3)             | 0.1                      | 2              |                                    |         |          |           |                  |         |          |           |                  |  |                           |
| 50            | 0.1       | A              | T110A104J050A(3)             | 0.3                      | 2              | 5066                               | 5266    | 5466     | 5666      | 4163             | 6163    | 7163     | 8163      | T212A104J050(2)S |  |                           |
| 50            | 0.1       | A              | T110A104K050A(3)             | 0.3                      | 2              | 2338                               | 2578    | 2818     | 3058      | 4164             | 6164    | 7164     | 8164      | T212A104K050(2)S |  |                           |
| 50            | 0.1       | A              | T110A104M050A(3)             | 0.3                      | 2              | 2339                               | 2579    | 2819     | 3059      | 4165             | 6165    | 7165     | 8165      | T212A104M050(2)S |  |                           |
| 50            | 0.12      | A              | T110A124J050A(3)             | 0.3                      | 2              | 5067                               | 5267    | 5467     | 5667      | 4166             | 6166    | 7166     | 8166      | T212A124J050(2)S |  |                           |
| 50            | 0.12      | A              | T110A124K050A(3)             | 0.3                      | 2              | 2340                               | 2580    | 2820     | 3060      | 4167             | 6167    | 7167     | 8167      | T212A124K050(2)S |  |                           |
| 50            | 0.12      | A              | T110A124M050A(3)             | 0.3                      | 2              |                                    |         |          |           |                  |         |          |           |                  |  |                           |
| 50            | 0.15      | A              | T110A154J050A(3)             | 0.3                      | 2              | 5068                               | 5268    | 5468     | 5668      | 4168             | 6168    | 7168     | 8168      | T212A154J050(2)S |  |                           |
| 50            | 0.15      | A              | T110A154K050A(3)             | 0.3                      | 2              | 2341                               | 2581    | 2821     | 3061      | 4169             | 6169    | 7169     | 8169      | T212A154K050(2)S |  |                           |
| 50            | 0.15      | A              | T110A154M050A(3)             | 0.3                      | 2              | 2342                               | 2582    | 2822     | 3062      | 4170             | 6170    | 7170     | 8170      | T212A154M050(2)S |  |                           |
| 50            | 0.18      | A              | T110A184J050A(3)             | 0.3                      | 2              | 5069                               | 5269    | 5469     | 5669      | 4171             | 6171    | 7171     | 8171      | T212A184J050(2)S |  |                           |
| 50            | 0.18      | A              | T110A184K050A(3)             | 0.3                      | 2              | 2343                               | 2583    | 2823     | 3063      | 4172             | 6172    | 7172     | 8172      | T212A184K050(2)S |  |                           |
| 50            | 0.18      | A              | T110A184M050A(3)             | 0.3                      | 2              |                                    |         |          |           |                  |         |          |           |                  |  |                           |
| 50            | 0.22      | A              | T110A224J050A(3)             | 0.3                      | 2              | 5070                               | 5270    | 5470     | 5670      | 4173             | 6173    | 7173     | 8173      | T212A224J050(2)S |  |                           |
| 50            | 0.22      | A              | T110A224K050A(3)             | 0.3                      | 2              | 2344                               | 2584    | 2824     | 3064      | 4174             | 6174    | 7174     | 8174      | T212A224K050(2)S |  |                           |
| 50            | 0.22      | A              | T110A224M050A(3)             | 0.3                      | 2              | 2345                               | 2585    | 2825     | 3065      | 4175             | 6175    | 7175     | 8175      | T212A224M050(2)S |  |                           |
| 50            | 0.27      | A              | T110A274J050A(3)             | 0.3                      | 2              | 5071                               | 5271    | 5471     | 5671      | 4176             | 6176    | 7176     | 8176      | T212A274J050(2)S |  |                           |
| 50            | 0.27      | A              | T110A274K050A(3)             | 0.3                      | 2              | 2346                               | 2586    | 2826     | 3066      | 4177             | 6177    | 7177     | 8177      | T212A274K050(2)S |  |                           |
| 50            | 0.27      | A              | T110A274M050A(3)             | 0.3                      | 2              |                                    |         |          |           |                  |         |          |           |                  |  |                           |
| 50            | 0.33      | A              | T110A334J050A(3)             | 0.3                      | 2              | 5072                               | 5272    | 5472     | 5672      | 4178             | 6178    | 7178     | 8178      | T212A334J050(2)S |  |                           |
| 50            | 0.33      | A              | T110A334K050A(3)             | 0.3                      | 2              | 2347                               | 2587    | 2827     | 3067      | 4179             | 6179    | 7179     | 8179      | T212A334K050(2)S |  |                           |
| 50            | 0.33      | A              | T110A334M050A(3)             | 0.3                      | 2              | 2348                               | 2588    | 2828     | 3068      | 4180             | 6180    | 7180     | 8180      | T212A334M050(2)S |  |                           |
| 50            | 0.39      | A              | T110A394J050A(3)             | 0.3                      | 2              | 5073                               | 5273    | 5473     | 5673      | 4181             | 6181    | 7181     | 8181      | T212A394J050(2)S |  |                           |
| 50            | 0.39      | A              | T110A394K050A(3)             | 0.3                      | 2              | 2349                               | 2589    | 2829     | 3069      | 4182             | 6182    | 7182     | 8182      | T212A394K050(2)S |  |                           |
| 50            | 0.39      | A              | T110A394M050A(3)             | 0.3                      | 2              |                                    |         |          |           |                  |         |          |           |                  |  |                           |
| 50            | 0.47      | A              | T110A474J050A(3)             | 0.3                      | 2              | 5074                               | 5274    | 5474     | 5674      | 4183             | 6183    | 7183     | 8183      | T212A474J050(2)S |  |                           |
| 50            | 0.47      | A              | T110A474K050A(3)             | 0.3                      | 2              | 2350                               | 2590    | 2830     | 3070      | 4184             | 6184    | 7184     | 8184      | T212A474K050(2)S |  |                           |
| 50            | 0.47      | A              | T110A474M050A(3)             | 0.3                      | 2              | 2351                               | 2591    | 2831     | 3071      | 4185             | 6185    | 7185     | 8185      | T212A474M050(2)S |  |                           |
| 50            | 0.56      | A              | T110A564J050A(3)             | 0.3                      | 2              | 5075                               | 5275    | 5475     | 5675      | 4186             | 6186    | 7186     | 8186      | T212A564J050(2)S |  |                           |
| 50            | 0.56      | A              | T110A564K050A(3)             | 0.3                      | 2              | 2352                               | 2592    | 2832     | 3072      | 4187             | 6187    | 7187     | 8187      | T212A564K050(2)S |  |                           |
| 50            | 0.56      | A              | T110A564M050A(3)             | 0.3                      | 2              |                                    |         |          |           |                  |         |          |           |                  |  |                           |
| 50            | 0.68      | A              | T110A684J050A(3)             | 0.3                      | 2              | 5076                               | 5276    | 5476     | 5676      | 4188             | 6188    | 7188     | 8188      | T212A684J050(2)S |  |                           |
| 50            | 0.68      | A              | T110A684K050A(3)             | 0.3                      | 2              | 2353                               | 2593    | 2833     | 3073      | 4189             | 6189    | 7189     | 8189      | T212A684K050(2)S |  |                           |
| 50            | 0.68      | A              | T110A684M050A(3)             | 0.3                      | 2              | 2354                               | 2594    | 2834     | 3074      | 4190             | 6190    | 7190     | 8190      | T212A684M050(2)S |  |                           |
| 50            | 0.82      | A              | T110A824J050A(3)             | 0.3                      | 2              | 5077                               | 5277    | 5477     | 5677      | 4191             | 6191    | 7191     | 8191      | T212A824J050(2)S |  |                           |
| 50            | 0.82      | A              | T110A824K050A(3)             | 0.3                      | 2              | 2355                               | 2595    | 2835     | 3075      | 4192             | 6192    | 7192     | 8192      | T212A824K050(2)S |  |                           |
| 50            | 0.82      | A              | T110A824M050A(3)             | 0.3                      | 2              |                                    |         |          |           |                  |         |          |           |                  |  |                           |
| (V) 85°C      | µF        | Case Size Code | (see below for part options) | µA at 25°C Max/5 Minimum | 120 Hz Maximum | M (1.0)                            | P (0.1) | R (0.01) | S (0.001) | G (1.0)          | B (0.1) | C (0.01) | D (0.001) | Part Number      |  |                           |
| Rated Voltage | Rated Cap | Case Size Code | KEMET Part Number            | DC Leakage               | DF % at 25°C   | MIL-PRF-39003 (CSR13) Capacitors   |         |          |           |                  |         |          |           |                  |  |                           |

- (1) To complete KEMET Part Number, insert M for ±20%, K for ±10%, or J for 5%. Designates capacitance tolerance.
- (2) To complete KEMET Part Number (T212), insert Graded failure rate – B for 0.1%/k hours, C for 0.01%/k hours, D for 0.001%/k hours, or G for 1%/k hours; or insert Exponential failure rate – M for 1%/k hours, P for 0.1%/k hours, R for 0.01%/k hours, or S for 0.001%/k hours. Designates Reliability Level.
- (3) To complete KEMET Part Number (T110), insert Lead Material designator – S for Standard or T for 100% Matte Tin. Designates Termination finish. Refer to Ordering Information for additional detail.

**Table 1 – Ratings & Part Number Reference cont.**

| Rated Voltage | Rated Cap | Case Size Code | KEMET Part Number            | DC Leakage               | DF % at 25°C   | MIL-PRF-39003 (CSR13) Capacitors   |         |          |           |         |                  |          |           |                  |  | KEMET Equivalent Military |
|---------------|-----------|----------------|------------------------------|--------------------------|----------------|------------------------------------|---------|----------|-----------|---------|------------------|----------|-----------|------------------|--|---------------------------|
|               |           |                |                              |                          |                | Dash Number Reference              |         |          |           |         |                  |          |           |                  |  |                           |
|               |           |                |                              |                          |                | Failure Rate Level (%/1,000 hours) |         |          |           |         |                  |          |           |                  |  |                           |
|               |           |                |                              |                          |                | MIL-PRF-39003/1K                   |         |          |           |         | MIL-PRF-39003/1K |          |           |                  |  |                           |
|               |           |                |                              |                          |                | Exponential                        |         |          |           |         | Graded           |          |           |                  |  |                           |
| (V) 85°C      | µF        |                | (See below for part options) | µA at 25°C Max/5 Minutes | 120 Hz Maximum | M (1.0)                            | P (0.1) | R (0.01) | S (0.001) | G (1.0) | B (0.1)          | C (0.01) | D (0.001) | Part Number      |  |                           |
| 50            | 1.0       | A              | T110A105J050A(3)             | 0.4                      | 2              | 5078                               | 5278    | 5478     | 5678      | 4193    | 6193             | 7193     | 8193      | T212A105J050(2)S |  |                           |
| 50            | 1.0       | A              | T110A105K050A(3)             | 0.4                      | 2              | 2356                               | 2596    | 2836     | 3076      | 4194    | 6194             | 7194     | 8194      | T212A105K050(2)S |  |                           |
| 50            | 1.0       | A              | T110A105M050A(3)             | 0.4                      | 2              | 2357                               | 2597    | 2837     | 3077      | 4195    | 6195             | 7195     | 8195      | T212A105M050(2)S |  |                           |
| 50            | 1.2       | B              | T110B125J050A(3)             | 0.4                      | 4              | 5079                               | 5279    | 5479     | 5679      | 4196    | 6196             | 7196     | 8196      | T212B125J050(2)S |  |                           |
| 50            | 1.2       | B              | T110B125K050A(3)             | 0.4                      | 4              | 2358                               | 2598    | 2838     | 3078      | 4197    | 6197             | 7197     | 8197      | T212B125K050(2)S |  |                           |
| 50            | 1.2       | B              | T110B125M050A(3)             | 0.4                      | 4              |                                    |         |          |           |         |                  |          |           |                  |  |                           |
| 50            | 1.5       | B              | T110B155J050A(3)             | 0.5                      | 4              | 5080                               | 5280    | 5480     | 5680      | 4198    | 6198             | 7198     | 8198      | T212B155J050(2)S |  |                           |
| 50            | 1.5       | B              | T110B155K050A(3)             | 0.5                      | 4              | 2359                               | 2599    | 2839     | 3079      | 4199    | 6199             | 7199     | 8199      | T212B155K050(2)S |  |                           |
| 50            | 1.5       | B              | T110B155M050A(3)             | 0.5                      | 4              | 2360                               | 2600    | 2840     | 3080      | 4200    | 6200             | 7200     | 8200      | T212B155M050(2)S |  |                           |
| 50            | 1.8       | B              | T110B185J050A(3)             | 0.5                      | 4              | 5081                               | 5281    | 5481     | 5681      | 4201    | 6201             | 7201     | 8201      | T212B185J050(2)S |  |                           |
| 50            | 1.8       | B              | T110B185K050A(3)             | 0.5                      | 4              | 2361                               | 2601    | 2841     | 3081      | 4202    | 6202             | 7202     | 8202      | T212B185K050(2)S |  |                           |
| 50            | 1.8       | B              | T110B185M050A(3)             | 0.5                      | 4              |                                    |         |          |           |         |                  |          |           |                  |  |                           |
| 50            | 2.2       | B              | T110B225J050A(3)             | 0.8                      | 4              | 5082                               | 5282    | 5482     | 5682      | 4203    | 6203             | 7203     | 8203      | T212B225J050(2)S |  |                           |
| 50            | 2.2       | B              | T110B225K050A(3)             | 0.8                      | 4              | 2362                               | 2602    | 2842     | 3082      | 4204    | 6204             | 7204     | 8204      | T212B225K050(2)S |  |                           |
| 50            | 2.2       | B              | T110B225M050A(3)             | 0.8                      | 4              | 2363                               | 2603    | 2843     | 3083      | 4205    | 6205             | 7205     | 8205      | T212B225M050(2)S |  |                           |
| 50            | 2.7       | B              | T110B275J050A(3)             | 0.8                      | 4              | 5083                               | 5283    | 5483     | 5683      | 4206    | 6206             | 7206     | 8206      | T212B275J050(2)S |  |                           |
| 50            | 2.7       | B              | T110B275K050A(3)             | 0.8                      | 4              | 2364                               | 2604    | 2844     | 3084      | 4207    | 6207             | 7207     | 8207      | T212B275K050(2)S |  |                           |
| 50            | 2.7       | B              | T110B275M050A(3)             | 0.8                      | 4              |                                    |         |          |           |         |                  |          |           |                  |  |                           |
| 50            | 3.3       | B              | T110B335J050A(3)             | 1.2                      | 4              | 5084                               | 5284    | 5484     | 5684      | 4208    | 6208             | 7208     | 8208      | T212B335J050(2)S |  |                           |
| 50            | 3.3       | B              | T110B335K050A(3)             | 1.2                      | 4              | 2365                               | 2605    | 2845     | 3085      | 4209    | 6209             | 7209     | 8209      | T212B335K050(2)S |  |                           |
| 50            | 3.3       | B              | T110B335M050A(3)             | 1.2                      | 4              | 2366                               | 2606    | 2846     | 3086      | 4210    | 6210             | 7210     | 8210      | T212B335M050(2)S |  |                           |
| 50            | 3.9       | B              | T110B395J050A(3)             | 1.5                      | 4              | 5085                               | 5285    | 5485     | 5685      | 4211    | 6211             | 7211     | 8211      | T212B395J050(2)S |  |                           |
| 50            | 3.9       | B              | T110B395K050A(3)             | 1.5                      | 4              | 2367                               | 2607    | 2847     | 3087      | 4212    | 6212             | 7212     | 8212      | T212B395K050(2)S |  |                           |
| 50            | 3.9       | B              | T110B395M050A(3)             | 1.5                      | 4              |                                    |         |          |           |         |                  |          |           |                  |  |                           |
| 50            | 4.7       | B              | T110B475J050A(3)             | 1.7                      | 4              | 5086                               | 5286    | 5486     | 5686      | 4213    | 6213             | 7213     | 8213      | T212B475J050(2)S |  |                           |
| 50            | 4.7       | B              | T110B475K050A(3)             | 1.7                      | 4              | 2368                               | 2608    | 2848     | 3088      | 4214    | 6214             | 7214     | 8214      | T212B475K050(2)S |  |                           |
| 50            | 4.7       | B              | T110B475M050A(3)             | 1.7                      | 4              | 2369                               | 2609    | 2849     | 3089      | 4215    | 6215             | 7215     | 8215      | T212B475M050(2)S |  |                           |
| 50            | 5.6       | C              | T110C565J050A(3)             | 2.2                      | 4              | 5087                               | 5287    | 5487     | 5687      | 4216    | 6216             | 7216     | 8216      | T212C565J050(2)S |  |                           |
| 50            | 5.6       | C              | T110C565K050A(3)             | 2.2                      | 4              | 2370                               | 2610    | 2850     | 3090      | 4217    | 6217             | 7217     | 8217      | T212C565K050(2)S |  |                           |
| 50            | 5.6       | C              | T110C565M050A(3)             | 2.2                      | 4              |                                    |         |          |           |         |                  |          |           |                  |  |                           |
| 50            | 6.8       | C              | T110C685J050A(3)             | 2.2                      | 4              | 5088                               | 5288    | 5488     | 5688      | 4218    | 6218             | 7218     | 8218      | T212C685J050(2)S |  |                           |
| 50            | 6.8       | C              | T110C685K050A(3)             | 2.2                      | 4              | 2371                               | 2611    | 2851     | 3091      | 4219    | 6219             | 7219     | 8219      | T212C685K050(2)S |  |                           |
| 50            | 6.8       | C              | T110C685M050A(3)             | 2.2                      | 4              | 2372                               | 2612    | 2852     | 3092      | 4220    | 6220             | 7220     | 8220      | T212C685M050(2)S |  |                           |
| 50            | 8.2       | C              | T110C825J050A(3)             | 2.5                      | 4              | 5089                               | 5289    | 5489     | 5689      | 4221    | 6221             | 7221     | 8221      | T212C825J050(2)S |  |                           |
| 50            | 8.2       | C              | T110C825K050A(3)             | 2.5                      | 4              | 2373                               | 2613    | 2853     | 3093      | 4222    | 6222             | 7222     | 8222      | T212C825K050(2)S |  |                           |
| 50            | 8.2       | C              | T110C825M050A(3)             | 2.5                      | 4              |                                    |         |          |           |         |                  |          |           |                  |  |                           |
| 50            | 10.0      | C              | T110C106J050A(3)             | 2.5                      | 4              | 5090                               | 5290    | 5490     | 5690      | 4223    | 6223             | 7223     | 8223      | T212C106J050(2)S |  |                           |
| 50            | 10.0      | C              | T110C106K050A(3)             | 2.5                      | 4              | 2374                               | 2614    | 2854     | 3094      | 4224    | 6224             | 7224     | 8224      | T212C106K050(2)S |  |                           |
| 50            | 10.0      | C              | T110C106M050A(3)             | 2.5                      | 4              | 2375                               | 2615    | 2855     | 3095      | 4225    | 6225             | 7225     | 8225      | T212C106M050(2)S |  |                           |
| 50            | 12.0      | C              | T110C126J050A(3)             | 3.0                      | 4              | 5091                               | 5291    | 5491     | 5691      | 4226    | 6226             | 7226     | 8226      | T212C126J050(2)S |  |                           |
| 50            | 12.0      | C              | T110C126K050A(3)             | 3.0                      | 4              | 2376                               | 2616    | 2856     | 3096      | 4227    | 6227             | 7227     | 8227      | T212C126K050(2)S |  |                           |
| 50            | 12.0      | C              | T110C126M050A(3)             | 3.0                      | 4              |                                    |         |          |           |         |                  |          |           |                  |  |                           |
| 50            | 15.0      | C              | T110C156J050A(3)             | 4.0                      | 4              | 5092                               | 5292    | 5492     | 5692      | 4228    | 6228             | 7228     | 8228      | T212C156J050(2)S |  |                           |
| 50            | 15.0      | C              | T110C156K050A(3)             | 4.0                      | 4              | 2377                               | 2617    | 2857     | 3097      | 4229    | 6229             | 7229     | 8229      | T212C156K050(2)S |  |                           |
| 50            | 15.0      | C              | T110C156M050A(3)             | 4.0                      | 4              | 2378                               | 2618    | 2858     | 3098      | 4230    | 6230             | 7230     | 8230      | T212C156M050(2)S |  |                           |
| (V) 85°C      | µF        | Case Size Code | (see below for part options) | µA at 25°C Max/5 Minimum | 120 Hz Maximum | M (1.0)                            | P (0.1) | R (0.01) | S (0.001) | G (1.0) | B (0.1)          | C (0.01) | D (0.001) | Part Number      |  |                           |
| Rated Voltage | Rated Cap | Case Size Code | KEMET Part Number            | DC Leakage               | DF % at 25°C   | MIL-PRF-39003 (CSR13) Capacitors   |         |          |           |         |                  |          |           |                  |  |                           |

- To complete KEMET Part Number, insert M for ±20%, K for ±10%, or J for 5%. Designates capacitance tolerance.
- To complete KEMET Part Number (T212), insert Graded failure rate – B for 0.1%/k hours, C for 0.01%/k hours, D for 0.001%/k hours, or G for 1%/k hours; or insert Exponential failure rate – M for 1%/k hours, P for 0.1%/k hours, R for 0.01%/k hours, or S for 0.001%/k hours. Designates Reliability Level.
- To complete KEMET Part Number (T110), insert Lead Material designator – S for Standard or T for 100% Matte Tin. Designates Termination finish. Refer to Ordering Information for additional detail.

**Table 1 – Ratings & Part Number Reference cont.**

| Rated Voltage | Rated Cap | Case Size Code | KEMET Part Number            | DC Leakage               | DF % at 25°C   | MIL-PRF-39003 (CSR13) Capacitors   |         |          |           |                  |         |          |           |                  |  | KEMET Equivalent Military |
|---------------|-----------|----------------|------------------------------|--------------------------|----------------|------------------------------------|---------|----------|-----------|------------------|---------|----------|-----------|------------------|--|---------------------------|
|               |           |                |                              |                          |                | Dash Number Reference              |         |          |           |                  |         |          |           | Part Number      |  |                           |
|               |           |                |                              |                          |                | Failure Rate Level (%/1,000 hours) |         |          |           |                  |         |          |           |                  |  |                           |
|               |           |                |                              |                          |                | MIL-PRF-39003/1K                   |         |          |           | MIL-PRF-39003/1K |         |          |           |                  |  |                           |
|               |           |                |                              |                          |                | Exponential                        |         |          |           | Graded           |         |          |           |                  |  |                           |
| (V) 85°C      | µF        |                | (See below for part options) | µA at 25°C Max/5 Minutes | 120 Hz Maximum | M (1.0)                            | P (0.1) | R (0.01) | S (0.001) | G (1.0)          | B (0.1) | C (0.01) | D (0.001) | Part Number      |  |                           |
| 50            | 18.0      | C              | T110C186J050A(3)             | 4.5                      | 4              | 5093                               | 5293    | 5493     | 5693      | 4231             | 6231    | 7231     | 8231      | T212C186J050(2)S |  |                           |
| 50            | 18.0      | C              | T110C186K050A(3)             | 4.5                      | 4              | 2379                               | 2619    | 2859     | 3099      | 4232             | 6232    | 7232     | 8232      | T212C186K050(2)S |  |                           |
| 50            | 18.0      | C              | T110C186M050A(3)             | 4.5                      | 4              |                                    |         |          |           |                  |         |          |           |                  |  |                           |
| 50            | 22.0      | D              | T110D226J050A(3)             | 5.5                      | 4              | 5094                               | 5294    | 5494     | 5694      | 4233             | 6233    | 7233     | 8233      | T212D226J050(2)S |  |                           |
| 50            | 22.0      | D              | T110D226K050A(3)             | 5.5                      | 4              | 2380                               | 2620    | 2860     | 3100      | 4234             | 6234    | 7234     | 8234      | T212D226K050(2)S |  |                           |
| 50            | 22.0      | D              | T110D226M050A(3)             | 5.5                      | 4              | 2381                               | 2621    | 2861     | 3101      | 4235             | 6235    | 7235     | 8235      | T212D226M050(2)S |  |                           |
| 60            | 0.0047    | A              | T110A472(1)060A(3)           | 0.3                      | 3              |                                    |         |          |           |                  |         |          |           |                  |  |                           |
| 60            | 0.0056    | A              | T110A562(1)060A(3)           | 0.3                      | 3              |                                    |         |          |           |                  |         |          |           |                  |  |                           |
| 60            | 0.0068    | A              | T110A682(1)060A(3)           | 0.3                      | 3              |                                    |         |          |           |                  |         |          |           |                  |  |                           |
| 60            | 0.0082    | A              | T110A822(1)060A(3)           | 0.3                      | 3              |                                    |         |          |           |                  |         |          |           |                  |  |                           |
| 60            | 0.01      | A              | T110A103(1)060A(3)           | 0.3                      | 3              |                                    |         |          |           |                  |         |          |           |                  |  |                           |
| 60            | 0.012     | A              | T110A123(1)060A(3)           | 0.3                      | 3              |                                    |         |          |           |                  |         |          |           |                  |  |                           |
| 60            | 0.015     | A              | T110A153(1)060A(3)           | 0.3                      | 3              |                                    |         |          |           |                  |         |          |           |                  |  |                           |
| 60            | 0.018     | A              | T110A183(1)060A(3)           | 0.3                      | 3              |                                    |         |          |           |                  |         |          |           |                  |  |                           |
| 60            | 0.022     | A              | T110A223(1)060A(3)           | 0.3                      | 3              |                                    |         |          |           |                  |         |          |           |                  |  |                           |
| 60            | 0.027     | A              | T110A273(1)060A(3)           | 0.3                      | 3              |                                    |         |          |           |                  |         |          |           |                  |  |                           |
| 60            | 0.033     | A              | T110A333(1)060A(3)           | 0.3                      | 3              |                                    |         |          |           |                  |         |          |           |                  |  |                           |
| 60            | 0.039     | A              | T110A393(1)060A(3)           | 0.3                      | 3              |                                    |         |          |           |                  |         |          |           |                  |  |                           |
| 60            | 0.047     | A              | T110A473(1)060A(3)           | 0.3                      | 3              |                                    |         |          |           |                  |         |          |           |                  |  |                           |
| 60            | 0.056     | A              | T110A563(1)060A(3)           | 0.3                      | 3              |                                    |         |          |           |                  |         |          |           |                  |  |                           |
| 60            | 0.068     | A              | T110A683(1)060A(3)           | 0.3                      | 3              |                                    |         |          |           |                  |         |          |           |                  |  |                           |
| 60            | 0.082     | A              | T110A823(1)060A(3)           | 0.3                      | 3              |                                    |         |          |           |                  |         |          |           |                  |  |                           |
| 60            | 0.1       | A              | T110A104(1)060A(3)           | 0.5                      | 3              |                                    |         |          |           |                  |         |          |           |                  |  |                           |
| 60            | 0.12      | A              | T110A124(1)060A(3)           | 0.5                      | 3              |                                    |         |          |           |                  |         |          |           |                  |  |                           |
| 60            | 0.15      | A              | T110A154(1)060A(3)           | 0.5                      | 3              |                                    |         |          |           |                  |         |          |           |                  |  |                           |
| 60            | 0.18      | A              | T110A184(1)060A(3)           | 0.5                      | 3              |                                    |         |          |           |                  |         |          |           |                  |  |                           |
| 60            | 0.22      | A              | T110A224(1)060A(3)           | 0.5                      | 3              |                                    |         |          |           |                  |         |          |           |                  |  |                           |
| 60            | 0.27      | A              | T110A274(1)060A(3)           | 0.5                      | 3              |                                    |         |          |           |                  |         |          |           |                  |  |                           |
| 60            | 0.33      | A              | T110A334(1)060A(3)           | 0.5                      | 3              |                                    |         |          |           |                  |         |          |           |                  |  |                           |
| 60            | 0.39      | A              | T110A394(1)060A(3)           | 0.5                      | 3              |                                    |         |          |           |                  |         |          |           |                  |  |                           |
| 60            | 0.47      | A              | T110A474(1)060A(3)           | 0.5                      | 3              |                                    |         |          |           |                  |         |          |           |                  |  |                           |
| 60            | 0.56      | A              | T110A564(1)060A(3)           | 0.5                      | 3              |                                    |         |          |           |                  |         |          |           |                  |  |                           |
| 60            | 0.68      | A              | T110A684(1)060A(3)           | 0.5                      | 3              |                                    |         |          |           |                  |         |          |           |                  |  |                           |
| 60            | 0.82      | B              | T110B824(1)060A(3)           | 0.5                      | 3              |                                    |         |          |           |                  |         |          |           |                  |  |                           |
| 60            | 1.0       | B              | T110B105(1)060A(3)           | 0.5                      | 3              |                                    |         |          |           |                  |         |          |           |                  |  |                           |
| 60            | 1.2       | B              | T110B125(1)060A(3)           | 0.5                      | 4              |                                    |         |          |           |                  |         |          |           |                  |  |                           |
| 60            | 1.5       | B              | T110B155(1)060A(3)           | 0.5                      | 4              |                                    |         |          |           |                  |         |          |           |                  |  |                           |
| 60            | 1.8       | B              | T110B185(1)060A(3)           | 0.5                      | 4              |                                    |         |          |           |                  |         |          |           |                  |  |                           |
| 60            | 2.2       | B              | T110B225(1)060A(3)           | 1.0                      | 4              |                                    |         |          |           |                  |         |          |           |                  |  |                           |
| 60            | 2.7       | B              | T110B275(1)060A(3)           | 1.0                      | 4              |                                    |         |          |           |                  |         |          |           |                  |  |                           |
| 60            | 3.3       | B              | T110B335(1)060A(3)           | 1.5                      | 4              |                                    |         |          |           |                  |         |          |           |                  |  |                           |
| 60            | 3.9       | B              | T110B395(1)060A(3)           | 1.5                      | 4              |                                    |         |          |           |                  |         |          |           |                  |  |                           |
| 60            | 4.7       | C              | T110C475(1)060A(3)           | 2.0                      | 4              |                                    |         |          |           |                  |         |          |           |                  |  |                           |
| 60            | 5.6       | C              | T110C565(1)060A(3)           | 2.0                      | 4              |                                    |         |          |           |                  |         |          |           |                  |  |                           |
| 60            | 6.8       | C              | T110C685(1)060A(3)           | 3.0                      | 4              |                                    |         |          |           |                  |         |          |           |                  |  |                           |
| (V) 85°C      | µF        | Case Size Code | (see below for part options) | µA at 25°C Max/5 Minimum | 120 Hz Maximum | M (1.0)                            | P (0.1) | R (0.01) | S (0.001) | G (1.0)          | B (0.1) | C (0.01) | D (0.001) | Part Number      |  |                           |
| Rated Voltage | Rated Cap | Case Size Code | KEMET Part Number            | DC Leakage               | DF % at 25°C   | MIL-PRF-39003 (CSR13) Capacitors   |         |          |           |                  |         |          |           |                  |  |                           |

- (1) To complete KEMET Part Number, insert M for ±20%, K for ±10%, or J for 5%. Designates capacitance tolerance.  
 (2) To complete KEMET Part Number (T212), insert Graded failure rate – B for 0.1%/k hours, C for 0.01%/k hours, D for 0.001%/k hours, or G for 1%/k hours; or insert Exponential failure rate – M for 1%/k hours, P for 0.1%/k hours, R for 0.01%/k hours, or S for 0.001%/k hours.  
 Designates Reliability Level.  
 (3) To complete KEMET Part Number (T110), insert Lead Material designator – S for Standard or T for 100% Matte Tin. Designates Termination finish.  
 Refer to Ordering Information for additional detail.

**Table 1 – Ratings & Part Number Reference cont.**

| Rated Voltage | Rated Cap | Case Size Code | KEMET Part Number            | DC Leakage               | DF % at 25°C   | MIL-PRF-39003 (CSR13) Capacitors   |         |          |           |                  |         |          |           |                  |  | KEMET Equivalent Military |
|---------------|-----------|----------------|------------------------------|--------------------------|----------------|------------------------------------|---------|----------|-----------|------------------|---------|----------|-----------|------------------|--|---------------------------|
|               |           |                |                              |                          |                | Dash Number Reference              |         |          |           |                  |         |          |           | Part Number      |  |                           |
|               |           |                |                              |                          |                | Failure Rate Level (%/1,000 hours) |         |          |           |                  |         |          |           |                  |  |                           |
|               |           |                |                              |                          |                | MIL-PRF-39003/1K                   |         |          |           | MIL-PRF-39003/1K |         |          |           |                  |  |                           |
|               |           |                |                              |                          |                | Exponential                        |         |          |           | Graded           |         |          |           |                  |  |                           |
| (V) 85°C      | µF        |                | (See below for part options) | µA at 25°C Max/5 Minutes | 120 Hz Maximum | M (1.0)                            | P (0.1) | R (0.01) | S (0.001) | G (1.0)          | B (0.1) | C (0.01) | D (0.001) |                  |  |                           |
| 60            | 8.2       | C              | T110C825(1)060A(3)           | 4.0                      | 4              |                                    |         |          |           |                  |         |          |           |                  |  |                           |
| 60            | 10.0      | C              | T110C106(1)060A(3)           | 5.0                      | 4              |                                    |         |          |           |                  |         |          |           |                  |  |                           |
| 60            | 12.0      | C              | T110C126(1)060A(3)           | 5.0                      | 4              |                                    |         |          |           |                  |         |          |           |                  |  |                           |
| 60            | 15.0      | D              | T110D156(1)060A(3)           | 4.0                      | 4              |                                    |         |          |           |                  |         |          |           |                  |  |                           |
| 60            | 18.0      | D              | T110D186(1)060A(3)           | 5.0                      | 4              |                                    |         |          |           |                  |         |          |           |                  |  |                           |
| 60            | 22.0      | D              | T110D226(1)060A(3)           | 6.0                      | 4              |                                    |         |          |           |                  |         |          |           |                  |  |                           |
| 75            | 0.0047    | A              | T110A472(1)075A(3)           | 0.3                      | 2              |                                    |         |          |           |                  |         |          |           |                  |  |                           |
| 75            | 0.0056    | A              | T110A562(1)075A(3)           | 0.3                      | 2              |                                    |         |          |           |                  |         |          |           |                  |  |                           |
| 75            | 0.0068    | A              | T110A682(1)075A(3)           | 0.3                      | 2              |                                    |         |          |           |                  |         |          |           |                  |  |                           |
| 75            | 0.0082    | A              | T110A822(1)075A(3)           | 0.3                      | 2              |                                    |         |          |           |                  |         |          |           |                  |  |                           |
| 75            | 0.01      | A              | T110A103(1)075A(3)           | 0.3                      | 2              |                                    |         |          |           |                  |         |          |           |                  |  |                           |
| 75            | 0.012     | A              | T110A123(1)075A(3)           | 0.3                      | 2              |                                    |         |          |           |                  |         |          |           |                  |  |                           |
| 75            | 0.015     | A              | T110A153(1)075A(3)           | 0.3                      | 2              |                                    |         |          |           |                  |         |          |           |                  |  |                           |
| 75            | 0.018     | A              | T110A183(1)075A(3)           | 0.3                      | 2              |                                    |         |          |           |                  |         |          |           |                  |  |                           |
| 75            | 0.022     | A              | T110A223(1)075A(3)           | 0.3                      | 2              |                                    |         |          |           |                  |         |          |           |                  |  |                           |
| 75            | 0.027     | A              | T110A273(1)075A(3)           | 0.3                      | 2              |                                    |         |          |           |                  |         |          |           |                  |  |                           |
| 75            | 0.033     | A              | T110A333(1)075A(3)           | 0.3                      | 2              |                                    |         |          |           |                  |         |          |           |                  |  |                           |
| 75            | 0.039     | A              | T110A393(1)075A(3)           | 0.3                      | 2              |                                    |         |          |           |                  |         |          |           |                  |  |                           |
| 75            | 0.047     | A              | T110A473(1)075A(3)           | 0.3                      | 2              |                                    |         |          |           |                  |         |          |           |                  |  |                           |
| 75            | 0.056     | A              | T110A563(1)075A(3)           | 0.3                      | 2              |                                    |         |          |           |                  |         |          |           |                  |  |                           |
| 75            | 0.068     | A              | T110A683(1)075A(3)           | 0.3                      | 2              |                                    |         |          |           |                  |         |          |           |                  |  |                           |
| 75            | 0.082     | A              | T110A823(1)075A(3)           | 0.3                      | 2              |                                    |         |          |           |                  |         |          |           |                  |  |                           |
| 75            | 0.1       | A              | T110A104J075A(3)             | 0.3                      | 2              | 5095                               | 5295    | 5495     | 5695      | 4236             | 6236    | 7236     | 8236      | T212A104J075(2)S |  |                           |
| 75            | 0.1       | A              | T110A104K075A(3)             | 0.3                      | 2              | 2382                               | 2622    | 2862     | 3102      | 4237             | 6237    | 7237     | 8237      | T212A104K075(2)S |  |                           |
| 75            | 0.1       | A              | T110A104M075A(3)             | 0.3                      | 2              | 2383                               | 2623    | 2863     | 3103      | 4238             | 6238    | 7238     | 8238      | T212A104M075(2)S |  |                           |
| 75            | 0.12      | A              | T110A124J075A(3)             | 0.3                      | 2              | 5096                               | 5296    | 5496     | 5696      | 4239             | 6239    | 7239     | 8239      | T212A124J075(2)S |  |                           |
| 75            | 0.12      | A              | T110A124K075A(3)             | 0.3                      | 2              | 2384                               | 2624    | 2864     | 3104      | 4240             | 6240    | 7240     | 8240      | T212A124K075(2)S |  |                           |
| 75            | 0.12      | A              | T110A124M075A(3)             | 0.3                      | 2              |                                    |         |          |           |                  |         |          |           |                  |  |                           |
| 75            | 0.15      | A              | T110A154J075A(3)             | 0.3                      | 2              | 5097                               | 5297    | 5497     | 5697      | 4241             | 6241    | 7241     | 8241      | T212A154J075(2)S |  |                           |
| 75            | 0.15      | A              | T110A154K075A(3)             | 0.3                      | 2              | 2385                               | 2625    | 2865     | 3105      | 4242             | 6242    | 7242     | 8242      | T212A154K075(2)S |  |                           |
| 75            | 0.15      | A              | T110A154M075A(3)             | 0.3                      | 2              | 2386                               | 2626    | 2866     | 3106      | 4243             | 6243    | 7243     | 8243      | T212A154M075(2)S |  |                           |
| 75            | 0.18      | A              | T110A184J075A(3)             | 0.3                      | 2              | 5098                               | 5298    | 5498     | 5698      | 4244             | 6244    | 7244     | 8244      | T212A184J075(2)S |  |                           |
| 75            | 0.18      | A              | T110A184K075A(3)             | 0.3                      | 2              | 2387                               | 2627    | 2867     | 3107      | 4245             | 6245    | 7245     | 8245      | T212A184K075(2)S |  |                           |
| 75            | 0.18      | A              | T110A184M075A(3)             | 0.3                      | 2              |                                    |         |          |           |                  |         |          |           |                  |  |                           |
| 75            | 0.22      | A              | T110A224J075A(3)             | 0.3                      | 2              | 5099                               | 5299    | 5499     | 5699      | 4246             | 6246    | 7246     | 8246      | T212A224J075(2)S |  |                           |
| 75            | 0.22      | A              | T110A224K075A(3)             | 0.3                      | 2              | 2388                               | 2628    | 2868     | 3108      | 4247             | 6247    | 7247     | 8247      | T212A224K075(2)S |  |                           |
| 75            | 0.22      | A              | T110A224M075A(3)             | 0.3                      | 2              | 2389                               | 2629    | 2869     | 3109      | 4248             | 6248    | 7248     | 8248      | T212A224M075(2)S |  |                           |
| 75            | 0.27      | A              | T110A274J075A(3)             | 0.3                      | 2              | 5100                               | 5300    | 5500     | 5700      | 4249             | 6249    | 7249     | 8249      | T212A274J075(2)S |  |                           |
| 75            | 0.27      | A              | T110A274K075A(3)             | 0.3                      | 2              | 2390                               | 2630    | 2870     | 3110      | 4250             | 6250    | 7250     | 8250      | T212A274K075(2)S |  |                           |
| 75            | 0.27      | A              | T110A274M075A(3)             | 0.3                      | 2              |                                    |         |          |           |                  |         |          |           |                  |  |                           |
| 75            | 0.33      | A              | T110A334J075A(3)             | 0.3                      | 2              | 5101                               | 5301    | 5501     | 5701      | 4251             | 6251    | 7251     | 8251      | T212A334J075(2)S |  |                           |
| 75            | 0.33      | A              | T110A334K075A(3)             | 0.3                      | 2              | 2391                               | 2631    | 2871     | 3111      | 4252             | 6252    | 7252     | 8252      | T212A334K075(2)S |  |                           |
| 75            | 0.33      | A              | T110A334M075A(3)             | 0.3                      | 2              | 2392                               | 2632    | 2872     | 3112      | 4253             | 6253    | 7253     | 8253      | T212A334M075(2)S |  |                           |
| 75            | 0.39      | A              | T110A394J075A(3)             | 0.3                      | 2              | 5102                               | 5302    | 5502     | 5702      | 4254             | 6254    | 7254     | 8254      | T212A394J075(2)S |  |                           |
| 75            | 0.39      | A              | T110A394K075A(3)             | 0.3                      | 2              | 2393                               | 2633    | 2873     | 3113      | 4255             | 6255    | 7255     | 8255      | T212A394K075(2)S |  |                           |
| (V) 85°C      | µF        | Case Size Code | (see below for part options) | µA at 25°C Max/5 Minimum | 120 Hz Maximum | M (1.0)                            | P (0.1) | R (0.01) | S (0.001) | G (1.0)          | B (0.1) | C (0.01) | D (0.001) | Part Number      |  |                           |
| Rated Voltage | Rated Cap | Case Size Code | KEMET Part Number            | DC Leakage               | DF % at 25°C   | MIL-PRF-39003 (CSR13) Capacitors   |         |          |           |                  |         |          |           |                  |  |                           |

(1) To complete KEMET Part Number, insert M for ±20%, K for ±10%, or J for 5%. Designates capacitance tolerance.  
 (2) To complete KEMET Part Number (T212), insert Graded failure rate – B for 0.1%/k hours, C for 0.01%/k hours, D for 0.001%/k hours, or G for 1%/k hours; or insert Exponential failure rate – M for 1%/k hours, P for 0.1%/k hours, R for 0.01%/k hours, or S for 0.001%/k hours.  
 Designates Reliability Level.  
 (3) To complete KEMET Part Number (T110), insert Lead Material designator – S for Standard or T for 100% Matte Tin. Designates Termination finish.  
 Refer to Ordering Information for additional detail.

**Table 1 – Ratings & Part Number Reference cont.**

| Rated Voltage | Rated Cap | Case Size Code | KEMET Part Number            | DC Leakage               | DF % at 25°C   | MIL-PRF-39003 (CSR13) Capacitors   |         |          |           |                  |         |          |           |                  |  | KEMET Equivalent Military Part Number |  |  |
|---------------|-----------|----------------|------------------------------|--------------------------|----------------|------------------------------------|---------|----------|-----------|------------------|---------|----------|-----------|------------------|--|---------------------------------------|--|--|
|               |           |                |                              |                          |                | Dash Number Reference              |         |          |           |                  |         |          |           |                  |  |                                       |  |  |
|               |           |                |                              |                          |                | Failure Rate Level (%/1,000 hours) |         |          |           |                  |         |          |           |                  |  |                                       |  |  |
|               |           |                |                              |                          |                | MIL-PRF-39003/1K                   |         |          |           | MIL-PRF-39003/1K |         |          |           |                  |  |                                       |  |  |
|               |           |                |                              |                          |                | Exponential                        |         |          |           | Graded           |         |          |           |                  |  |                                       |  |  |
| (V) 85°C      | µF        |                | (See below for part options) | µA at 25°C Max/5 Minutes | 120 Hz Maximum | M (1.0)                            | P (0.1) | R (0.01) | S (0.001) | G (1.0)          | B (0.1) | C (0.01) | D (0.001) | Part Number      |  |                                       |  |  |
| 75            | 0.39      | A              | T110A394M075A(3)             | 0.3                      | 2              |                                    |         |          |           |                  |         |          |           |                  |  |                                       |  |  |
| 75            | 0.47      | A              | T110A474J075A(3)             | 0.3                      | 2              | 5103                               | 5303    | 5503     | 5703      | 4256             | 6256    | 7256     | 8256      | T212A474J075(2)S |  |                                       |  |  |
| 75            | 0.47      | A              | T110A474K075A(3)             | 0.3                      | 2              | 2394                               | 2634    | 2874     | 3114      | 4257             | 6257    | 7257     | 8257      | T212A474K075(2)S |  |                                       |  |  |
| 75            | 0.47      | A              | T110A474M075A(3)             | 0.3                      | 2              | 2395                               | 2635    | 2875     | 3115      | 4258             | 6258    | 7258     | 8258      | T212A474M075(2)S |  |                                       |  |  |
| 75            | 0.56      | A              | T110A564J075A(3)             | 0.3                      | 2              | 5104                               | 5304    | 5504     | 5704      | 4259             | 6259    | 7259     | 8259      | T212A564J075(2)S |  |                                       |  |  |
| 75            | 0.56      | A              | T110A564K075A(3)             | 0.3                      | 2              | 2396                               | 2636    | 2876     | 3116      | 4260             | 6260    | 7260     | 8260      | T212A564K075(2)S |  |                                       |  |  |
| 75            | 0.56      | A              | T110A564M075A(3)             | 0.3                      | 2              |                                    |         |          |           |                  |         |          |           |                  |  |                                       |  |  |
| 75            | 0.68      | A              | T110A684J075A(3)             | 0.3                      | 2              | 5105                               | 5305    | 5505     | 5705      | 4261             | 6261    | 7261     | 8261      | T212A684J075(2)S |  |                                       |  |  |
| 75            | 0.68      | A              | T110A684K075A(3)             | 0.3                      | 2              | 2397                               | 2637    | 2877     | 3117      | 4262             | 6262    | 7262     | 8262      | T212A684K075(2)S |  |                                       |  |  |
| 75            | 0.68      | A              | T110A684M075A(3)             | 0.3                      | 2              | 2398                               | 2638    | 2878     | 3118      | 4263             | 6263    | 7263     | 8263      | T212A684M075(2)S |  |                                       |  |  |
| 75            | 0.82      | B              | T110B824J075A(3)             | 0.3                      | 2              | 5106                               | 5306    | 5506     | 5706      | 4264             | 6264    | 7264     | 8264      | T212B824J075(2)S |  |                                       |  |  |
| 75            | 0.82      | B              | T110B824K075A(3)             | 0.3                      | 2              | 2399                               | 2639    | 2879     | 3119      | 4265             | 6265    | 7265     | 8265      | T212B824K075(2)S |  |                                       |  |  |
| 75            | 0.82      | B              | T110B824M075A(3)             | 0.3                      | 2              |                                    |         |          |           |                  |         |          |           |                  |  |                                       |  |  |
| 75            | 1.0       | B              | T110B105J075A(3)             | 0.3                      | 2              | 5107                               | 5307    | 5507     | 5707      | 4266             | 6266    | 7266     | 8266      | T212B105J075(2)S |  |                                       |  |  |
| 75            | 1.0       | B              | T110B105K075A(3)             | 0.3                      | 2              | 2400                               | 2640    | 2880     | 3120      | 4267             | 6267    | 7267     | 8267      | T212B105K075(2)S |  |                                       |  |  |
| 75            | 1.0       | B              | T110B105M075A(3)             | 0.3                      | 2              | 2401                               | 2641    | 2881     | 3121      | 4268             | 6268    | 7268     | 8268      | T212B105M075(2)S |  |                                       |  |  |
| 75            | 1.2       | B              | T110B125J075A(3)             | 0.3                      | 4              | 5108                               | 5308    | 5508     | 5708      | 4269             | 6269    | 7269     | 8269      | T212B125J075(2)S |  |                                       |  |  |
| 75            | 1.2       | B              | T110B125K075A(3)             | 0.3                      | 4              | 2402                               | 2642    | 2882     | 3122      | 4270             | 6270    | 7270     | 8270      | T212B125K075(2)S |  |                                       |  |  |
| 75            | 1.2       | B              | T110B125M075A(3)             | 0.3                      | 4              |                                    |         |          |           |                  |         |          |           |                  |  |                                       |  |  |
| 75            | 1.5       | B              | T110B155J075A(3)             | 0.6                      | 4              | 5109                               | 5309    | 5509     | 5709      | 4271             | 6271    | 7271     | 8271      | T212B155J075(2)S |  |                                       |  |  |
| 75            | 1.5       | B              | T110B155K075A(3)             | 0.6                      | 4              | 2403                               | 2643    | 2883     | 3123      | 4272             | 6272    | 7272     | 8272      | T212B155K075(2)S |  |                                       |  |  |
| 75            | 1.5       | B              | T110B155M075A(3)             | 0.6                      | 4              | 2404                               | 2644    | 2884     | 3124      | 4273             | 6273    | 7273     | 8273      | T212B155M075(2)S |  |                                       |  |  |
| 75            | 1.8       | B              | T110B185J075A(3)             | 0.7                      | 4              | 5110                               | 5310    | 5510     | 5710      | 4274             | 6274    | 7274     | 8274      | T212B185J075(2)S |  |                                       |  |  |
| 75            | 1.8       | B              | T110B185K075A(3)             | 0.7                      | 4              | 2405                               | 2645    | 2885     | 3125      | 4275             | 6275    | 7275     | 8275      | T212B185K075(2)S |  |                                       |  |  |
| 75            | 1.8       | B              | T110B185M075A(3)             | 0.7                      | 4              |                                    |         |          |           |                  |         |          |           |                  |  |                                       |  |  |
| 75            | 2.2       | B              | T110B225J075A(3)             | 0.8                      | 4              | 5111                               | 5311    | 5511     | 5711      | 4276             | 6276    | 7276     | 8276      | T212B225J075(2)S |  |                                       |  |  |
| 75            | 2.2       | B              | T110B225K075A(3)             | 0.8                      | 4              | 2406                               | 2646    | 2886     | 3126      | 4277             | 6277    | 7277     | 8277      | T212B225K075(2)S |  |                                       |  |  |
| 75            | 2.2       | B              | T110B225M075A(3)             | 0.8                      | 4              | 2407                               | 2647    | 2887     | 3127      | 4278             | 6278    | 7278     | 8278      | T212B225M075(2)S |  |                                       |  |  |
| 75            | 2.7       | B              | T110B275J075A(3)             | 1.0                      | 4              | 5112                               | 5312    | 5512     | 5712      | 4279             | 6279    | 7279     | 8279      | T212B275J075(2)S |  |                                       |  |  |
| 75            | 2.7       | B              | T110B275K075A(3)             | 1.0                      | 4              | 2408                               | 2648    | 2888     | 3128      | 4280             | 6280    | 7280     | 8280      | T212B275K075(2)S |  |                                       |  |  |
| 75            | 2.7       | B              | T110B275M075A(3)             | 1.2                      | 4              |                                    |         |          |           |                  |         |          |           |                  |  |                                       |  |  |
| 75            | 3.3       | B              | T110B335J075A(3)             | 1.2                      | 4              | 5113                               | 5313    | 5513     | 5713      | 4281             | 6281    | 7281     | 8281      | T212B335J075(2)S |  |                                       |  |  |
| 75            | 3.3       | B              | T110B335K075A(3)             | 1.2                      | 4              | 2409                               | 2649    | 2889     | 3129      | 4282             | 6282    | 7282     | 8282      | T212B335K075(2)S |  |                                       |  |  |
| 75            | 3.3       | B              | T110B335M075A(3)             | 1.2                      | 4              | 2410                               | 2650    | 2890     | 3130      | 4283             | 6283    | 7283     | 8283      | T212B335M075(2)S |  |                                       |  |  |
| 75            | 3.9       | B              | T110B395J075A(3)             | 1.5                      | 4              | 5114                               | 5314    | 5514     | 5714      | 4284             | 6284    | 7284     | 8284      | T212B395J075(2)S |  |                                       |  |  |
| 75            | 3.9       | B              | T110B395K075A(3)             | 1.5                      | 4              | 2411                               | 2651    | 2891     | 3131      | 4285             | 6285    | 7285     | 8285      | T212B395K075(2)S |  |                                       |  |  |
| 75            | 3.9       | B              | T110B395M075A(3)             | 1.5                      | 4              |                                    |         |          |           |                  |         |          |           |                  |  |                                       |  |  |
| 75            | 4.7       | C              | T110C475J075A(3)             | 3.0                      | 4              | 5115                               | 5315    | 5515     | 5715      | 4286             | 6286    | 7286     | 8286      | T212C475J075(2)S |  |                                       |  |  |
| 75            | 4.7       | C              | T110C475K075A(3)             | 3.0                      | 4              | 2412                               | 2652    | 2892     | 3132      | 4287             | 6287    | 7287     | 8287      | T212C475K075(2)S |  |                                       |  |  |
| 75            | 4.7       | C              | T110C475M075A(3)             | 3.0                      | 4              | 2413                               | 2653    | 2893     | 3133      | 4288             | 6288    | 7288     | 8288      | T212C475M075(2)S |  |                                       |  |  |
| 75            | 5.6       | C              | T110C565J075A(3)             | 3.0                      | 4              | 5116                               | 5316    | 5516     | 5716      | 4289             | 6289    | 7289     | 8289      | T212C565J075(2)S |  |                                       |  |  |
| 75            | 5.6       | C              | T110C565K075A(3)             | 3.0                      | 4              | 2414                               | 2654    | 2894     | 3134      | 4290             | 6290    | 7290     | 8290      | T212C565K075(2)S |  |                                       |  |  |
| 75            | 5.6       | C              | T110C565M075A(3)             | 3.0                      | 4              |                                    |         |          |           |                  |         |          |           |                  |  |                                       |  |  |
| 75            | 6.8       | C              | T110C685J075A(3)             | 5.0                      | 4              | 5117                               | 5317    | 5517     | 5717      | 4291             | 6291    | 7291     | 8291      | T212C685J075(2)S |  |                                       |  |  |
| 75            | 6.8       | C              | T110C685K075A(3)             | 5.0                      | 4              | 2415                               | 2655    | 2895     | 3135      | 4292             | 6292    | 7292     | 8292      | T212C685K075(2)S |  |                                       |  |  |
| (V) 85°C      | µF        |                | (see below for part options) | µA at 25°C Max/5 Minimum | 120 Hz Maximum | M (1.0)                            | P (0.1) | R (0.01) | S (0.001) | G (1.0)          | B (0.1) | C (0.01) | D (0.001) | Part Number      |  |                                       |  |  |
| Rated Voltage | Rated Cap | Case Size Code | KEMET Part Number            | DC Leakage               | DF % at 25°C   | MIL-PRF-39003 (CSR13) Capacitors   |         |          |           |                  |         |          |           |                  |  |                                       |  |  |

- (1) To complete KEMET Part Number, insert M for ±20%, K for ±10%, or J for 5%. Designates capacitance tolerance.
- (2) To complete KEMET Part Number (T212), insert Graded failure rate – B for 0.1%/k hours, C for 0.01%/k hours, D for 0.001%/k hours, or G for 1%/k hours; or insert Exponential failure rate – M for 1%/k hours, P for 0.1%/k hours, R for 0.01%/k hours, or S for 0.001%/k hours. Designates Reliability Level.
- (3) To complete KEMET Part Number (T110), insert Lead Material designator – S for Standard or T for 100% Matte Tin. Designates Termination finish. Refer to Ordering Information for additional detail.

**Table 1 – Ratings & Part Number Reference cont.**

| Rated Voltage | Rated Cap | Case Size Code | KEMET Part Number            | DC Leakage               | DF % at 25°C   | MIL-PRF-39003 (CSR13) Capacitors   |         |          |           |         |                  |          |           |                  |  | KEMET Equivalent Military |
|---------------|-----------|----------------|------------------------------|--------------------------|----------------|------------------------------------|---------|----------|-----------|---------|------------------|----------|-----------|------------------|--|---------------------------|
|               |           |                |                              |                          |                | Dash Number Reference              |         |          |           |         |                  |          |           |                  |  |                           |
|               |           |                |                              |                          |                | Failure Rate Level (%/1,000 hours) |         |          |           |         |                  |          |           |                  |  |                           |
|               |           |                |                              |                          |                | MIL-PRF-39003/1K                   |         |          |           |         | MIL-PRF-39003/1K |          |           |                  |  |                           |
|               |           |                |                              |                          |                | Exponential                        |         |          |           |         | Graded           |          |           |                  |  |                           |
| (V) 85°C      | µF        |                | (See below for part options) | µA at 25°C Max/5 Minutes | 120 Hz Maximum | M (1.0)                            | P (0.1) | R (0.01) | S (0.001) | G (1.0) | B (0.1)          | C (0.01) | D (0.001) | Part Number      |  |                           |
| 75            | 6.8       | C              | T110C685M075A(3)             | 5.0                      | 4              | 2416                               | 2656    | 2896     | 3136      | 4293    | 6293             | 7293     | 8293      | T212C685M075(2)S |  |                           |
| 75            | 8.2       | C              | T110C825J075A(3)             | 5.0                      | 4              | 5118                               | 5318    | 5518     | 5718      | 4294    | 6294             | 7294     | 8294      | T212C825J075(2)S |  |                           |
| 75            | 8.2       | C              | T110C825K075A(3)             | 5.0                      | 4              | 2417                               | 2657    | 2897     | 3137      | 4295    | 6295             | 7295     | 8295      | T212C825K075(2)S |  |                           |
| 75            | 8.2       | C              | T110C825M075A(3)             | 5.0                      | 4              |                                    |         |          |           |         |                  |          |           |                  |  |                           |
| 75            | 10.0      | C              | T110C106J075A(3)             | 5.0                      | 4              | 5119                               | 5319    | 5519     | 5719      | 4296    | 6296             | 7296     | 8296      | T212C106J075(2)S |  |                           |
| 75            | 10.0      | C              | T110C106K075A(3)             | 5.0                      | 4              | 2418                               | 2658    | 2898     | 3138      | 4297    | 6297             | 7297     | 8297      | T212C106K075(2)S |  |                           |
| 75            | 10.0      | C              | T110C106M075A(3)             | 5.0                      | 4              | 2419                               | 2659    | 2899     | 3139      | 4298    | 6298             | 7298     | 8298      | T212C106M075(2)S |  |                           |
| 75            | 12.0      | D              | T110D126J075A(3)             | 5.0                      | 4              | 5120                               | 5320    | 5520     | 5720      | 4299    | 6299             | 7299     | 8299      | T212D126J075(2)S |  |                           |
| 75            | 12.0      | D              | T110D126K075A(3)             | 5.0                      | 4              | 2420                               | 2660    | 2900     | 3140      | 4300    | 6300             | 7300     | 8300      | T212D126K075(2)S |  |                           |
| 75            | 12.0      | D              | T110D126M075A(3)             | 5.0                      | 4              |                                    |         |          |           |         |                  |          |           |                  |  |                           |
| 75            | 15.0      | D              | T110D156J075A(3)             | 7.0                      | 4              | 5121                               | 5321    | 5521     | 5721      | 4301    | 6301             | 7301     | 8301      | T212D156J075(2)S |  |                           |
| 75            | 15.0      | D              | T110D156K075A(3)             | 7.0                      | 4              | 2421                               | 2661    | 2901     | 3141      | 4302    | 6302             | 7302     | 8302      | T212D156K075(2)S |  |                           |
| 75            | 15.0      | D              | T110D156M075A(3)             | 7.0                      | 4              | 2422                               | 2662    | 2902     | 3142      | 4303    | 6303             | 7303     | 8303      | T212D156M075(2)S |  |                           |
| 100           | 0.0047    | A              | T110A472J100A(3)             | 0.3                      | 2              | 5122                               | 5322    | 5522     | 5722      | 4304    | 6304             | 7304     | *         | T212A472J100(2)S |  |                           |
| 100           | 0.0047    | A              | T110A472K100A(3)             | 0.3                      | 2              | 2423                               | 2663    | 2903     | 3143      | 4305    | 6305             | 7305     | *         | T212A472K100(2)S |  |                           |
| 100           | 0.0047    | A              | T110A472M100A(3)             | 0.3                      | 2              | 2424                               | 2664    | 2904     | 3144      | 4306    | 6306             | 7306     | *         | T212A472M100(2)S |  |                           |
| 100           | 0.0056    | A              | T110A562J100A(3)             | 0.3                      | 2              | 5123                               | 5323    | 5523     | 5723      | 4307    | 6307             | 7307     | *         | T212A562J100(2)S |  |                           |
| 100           | 0.0056    | A              | T110A562K100A(3)             | 0.3                      | 2              | 2425                               | 2665    | 2905     | 3145      | 4308    | 6308             | 7308     | *         | T212A562K100(2)S |  |                           |
| 100           | 0.0056    | A              | T110A562M100A(3)             | 0.3                      | 2              |                                    |         |          |           |         |                  |          | *         |                  |  |                           |
| 100           | 0.0068    | A              | T110A682J100A(3)             | 0.3                      | 2              | 5124                               | 5324    | 5524     | 5724      | 4309    | 6309             | 7309     | *         | T212A682J100(2)S |  |                           |
| 100           | 0.0068    | A              | T110A682K100A(3)             | 0.3                      | 2              | 2426                               | 2666    | 2906     | 3146      | 4310    | 6310             | 7310     | *         | T212A682K100(2)S |  |                           |
| 100           | 0.0068    | A              | T110A682M100A(3)             | 0.3                      | 2              | 2427                               | 2667    | 2907     | 3147      | 4311    | 6311             | 7311     | *         | T212A682M100(2)S |  |                           |
| 100           | 0.0082    | A              | T110A822J100A(3)             | 0.3                      | 2              | 5125                               | 5325    | 5525     | 5725      | 4312    | 6312             | 7312     | *         | T212A822J100(2)S |  |                           |
| 100           | 0.0082    | A              | T110A822K100A(3)             | 0.3                      | 2              | 2428                               | 2668    | 2908     | 3148      | 4313    | 6313             | 7313     | *         | T212A822K100(2)S |  |                           |
| 100           | 0.0082    | A              | T110A822M100A(3)             | 0.3                      | 2              |                                    |         |          |           |         |                  |          | *         |                  |  |                           |
| 100           | 0.01      | A              | T110A103J100A(3)             | 0.3                      | 2              | 5126                               | 5326    | 5526     | 5726      | 4314    | 6314             | 7314     | *         | T212A103J100(2)S |  |                           |
| 100           | 0.01      | A              | T110A103K100A(3)             | 0.3                      | 2              | 2429                               | 2669    | 2909     | 3149      | 4315    | 6315             | 7315     | *         | T212A103K100(2)S |  |                           |
| 100           | 0.01      | A              | T110A103M100A(3)             | 0.3                      | 2              | 2430                               | 2670    | 2910     | 3150      | 4316    | 6316             | 7316     | *         | T212A103M100(2)S |  |                           |
| 100           | 0.012     | A              | T110A123J100A(3)             | 0.3                      | 2              | 5127                               | 5327    | 5527     | 5727      | 4317    | 6317             | 7317     | *         | T212A123J100(2)S |  |                           |
| 100           | 0.012     | A              | T110A123K100A(3)             | 0.3                      | 2              | 2431                               | 2671    | 2911     | 3151      | 4318    | 6318             | 7318     | *         | T212A123K100(2)S |  |                           |
| 100           | 0.012     | A              | T110A123M100A(3)             | 0.3                      | 2              |                                    |         |          |           |         |                  |          | *         |                  |  |                           |
| 100           | 0.015     | A              | T110A153J100A(3)             | 0.3                      | 2              | 5128                               | 5328    | 5528     | 5728      | 4319    | 6319             | 7319     | *         | T212A153J100(2)S |  |                           |
| 100           | 0.015     | A              | T110A153K100A(3)             | 0.3                      | 2              | 2432                               | 2672    | 2912     | 3152      | 4320    | 6320             | 7320     | *         | T212A153K100(2)S |  |                           |
| 100           | 0.015     | A              | T110A153M100A(3)             | 0.3                      | 2              | 2433                               | 2673    | 2913     | 3153      | 4321    | 6321             | 7321     | *         | T212A153M100(2)S |  |                           |
| 100           | 0.018     | A              | T110A183J100A(3)             | 0.3                      | 2              | 5129                               | 5329    | 5529     | 5729      | 4322    | 6322             | 7322     | *         | T212A183J100(2)S |  |                           |
| 100           | 0.018     | A              | T110A183K100A(3)             | 0.3                      | 2              | 2434                               | 2674    | 2914     | 3154      | 4323    | 6323             | 7323     | *         | T212A183K100(2)S |  |                           |
| 100           | 0.018     | A              | T110A183M100A(3)             | 0.3                      | 2              |                                    |         |          |           |         |                  |          | *         |                  |  |                           |
| 100           | 0.022     | A              | T110A223J100A(3)             | 0.3                      | 2              | 5130                               | 5330    | 5530     | 5730      | 4324    | 6324             | 7324     | *         | T212A223J100(2)S |  |                           |
| 100           | 0.022     | A              | T110A223K100A(3)             | 0.3                      | 2              | 2435                               | 2675    | 2915     | 3155      | 4325    | 6325             | 7325     | *         | T212A223K100(2)S |  |                           |
| 100           | 0.022     | A              | T110A223M100A(3)             | 0.3                      | 2              | 2436                               | 2676    | 2916     | 3156      | 4326    | 6326             | 7326     | *         | T212A223M100(2)S |  |                           |
| 100           | 0.027     | A              | T110A273J100A(3)             | 0.3                      | 2              | 5131                               | 5331    | 5531     | 5731      | 4327    | 6327             | 7327     | *         | T212A273J100(2)S |  |                           |
| 100           | 0.027     | A              | T110A273K100A(3)             | 0.3                      | 2              | 2437                               | 2677    | 2917     | 3157      | 4328    | 6328             | 7328     | *         | T212A273K100(2)S |  |                           |
| 100           | 0.027     | A              | T110A273M100A(3)             | 0.3                      | 2              |                                    |         |          |           |         |                  |          | *         |                  |  |                           |
| 100           | 0.033     | A              | T110A333J100A(3)             | 0.3                      | 2              | 5132                               | 5332    | 5532     | 5732      | 4329    | 6329             | 7329     | *         | T212A333J100(2)S |  |                           |
| 100           | 0.033     | A              | T110A333K100A(3)             | 0.3                      | 2              | 2438                               | 2678    | 2918     | 3158      | 4330    | 6330             | 7330     | *         | T212A333K100(2)S |  |                           |
| (V) 85°C      | µF        | Case Size Code | (see below for part options) | µA at 25°C Max/5 Minimum | 120 Hz Maximum | M (1.0)                            | P (0.1) | R (0.01) | S (0.001) | G (1.0) | B (0.1)          | C (0.01) | D (0.001) | Part Number      |  |                           |
| Rated Voltage | Rated Cap | Case Size Code | KEMET Part Number            | DC Leakage               | DF % at 25°C   | MIL-PRF-39003 (CSR13) Capacitors   |         |          |           |         |                  |          |           |                  |  |                           |

(1) To complete KEMET Part Number, insert M for ±20%, K for ±10%, or J for 5%. Designates capacitance tolerance.  
(2) To complete KEMET Part Number (T212), insert Graded failure rate – B for 0.1%/k hours, C for 0.01%/k hours, D for 0.001%/k hours, or G for 1%/k hours; or insert Exponential failure rate – M for 1%/k hours, P for 0.1%/k hours, R for 0.01%/k hours, or S for 0.001%/k hours.  
Designates Reliability Level.  
(3) To complete KEMET Part Number (T110), insert Lead Material designator – S for Standard or T for 100% Matte Tin. Designates Termination finish.  
Refer to Ordering Information for additional detail.



**Table 1 – Ratings & Part Number Reference cont.**

| Rated Voltage | Rated Cap | Case Size Code | KEMET Part Number            | DC Leakage               | DF % at 25°C   | MIL-PRF-39003 (CSR13) Capacitors   |         |          |           |         |                  |          |           |                  |  | KEMET Equivalent Military Part Number |
|---------------|-----------|----------------|------------------------------|--------------------------|----------------|------------------------------------|---------|----------|-----------|---------|------------------|----------|-----------|------------------|--|---------------------------------------|
|               |           |                |                              |                          |                | Dash Number Reference              |         |          |           |         |                  |          |           |                  |  |                                       |
|               |           |                |                              |                          |                | Failure Rate Level (%/1,000 hours) |         |          |           |         |                  |          |           |                  |  |                                       |
|               |           |                |                              |                          |                | MIL-PRF-39003/1K                   |         |          |           |         | MIL-PRF-39003/1K |          |           |                  |  |                                       |
|               |           |                |                              |                          |                | Exponential                        |         |          |           |         | Graded           |          |           |                  |  |                                       |
| (V) 85°C      | µF        |                | (See below for part options) | µA at 25°C Max/5 Minutes | 120 Hz Maximum | M (1.0)                            | P (0.1) | R (0.01) | S (0.001) | G (1.0) | B (0.1)          | C (0.01) | D (0.001) | Part Number      |  |                                       |
| 100           | 0.033     | A              | T110A333M100A(3)             | 0.3                      | 2              | 2439                               | 2679    | 2919     | 3159      | 4331    | 6331             | 7331     | *         | T212A333M100(2)S |  |                                       |
| 100           | 0.039     | A              | T110A393J100A(3)             | 0.3                      | 2              | 5133                               | 5333    | 5533     | 5733      | 4332    | 6332             | 7332     | *         | T212A393J075(2)S |  |                                       |
| 100           | 0.039     | A              | T110A393K100A(3)             | 0.3                      | 2              | 2440                               | 2680    | 2920     | 3160      | 4333    | 6333             | 7333     | *         | T212A393K075(2)S |  |                                       |
| 100           | 0.039     | A              | T110A393M100A(3)             | 0.3                      | 2              |                                    |         |          |           |         |                  |          | *         |                  |  |                                       |
| 100           | 0.047     | A              | T110A473J100A(3)             | 0.3                      | 2              |                                    |         |          |           |         |                  |          | *         |                  |  |                                       |
| 100           | 0.047     | A              | T110A473K100A(3)             | 0.3                      | 2              | 5134                               | 5334    | 5534     | 5734      | 4334    | 6334             | 7334     | *         | T212A473J100(2)S |  |                                       |
| 100           | 0.047     | A              | T110A473M100A(3)             | 0.3                      | 2              | 2441                               | 2681    | 2921     | 3161      | 4335    | 6335             | 7335     | *         | T212A473K100(2)S |  |                                       |
| 100           | 0.047     | A              | T110A473M100A(3)             | 0.3                      | 2              | 2442                               | 2682    | 2922     | 3162      | 4336    | 6336             | 7336     | *         | T212A473M100(2)S |  |                                       |
| 100           | 0.056     | A              | T110A563J100A(3)             | 0.3                      | 2              | 5135                               | 5335    | 5535     | 5735      | 4337    | 6337             | 7337     | *         | T212A563J100(2)S |  |                                       |
| 100           | 0.056     | A              | T110A563K100A(3)             | 0.3                      | 2              | 2443                               | 2683    | 2923     | 3163      | 4338    | 6338             | 7338     | *         | T212A563K100(2)S |  |                                       |
| 100           | 0.056     | A              | T110A563M100A(3)             | 0.3                      | 2              |                                    |         |          |           |         |                  |          | *         |                  |  |                                       |
| 100           | 0.068     | A              | T110A683J100A(3)             | 0.3                      | 2              | 5136                               | 5336    | 5536     | 5736      | 4339    | 6339             | 7339     | *         | T212A683J100(2)S |  |                                       |
| 100           | 0.068     | A              | T110A683K100A(3)             | 0.3                      | 2              | 2444                               | 2684    | 2924     | 3164      | 4340    | 6340             | 7340     | *         | T212A683K100(2)S |  |                                       |
| 100           | 0.068     | A              | T110A683M100A(3)             | 0.3                      | 2              | 2445                               | 2685    | 2925     | 3165      | 4341    | 6341             | 7341     | *         | T212A683M100(2)S |  |                                       |
| 100           | 0.082     | A              | T110A823J100A(3)             | 0.3                      | 2              | 5137                               | 5337    | 5537     | 5737      | 4342    | 6342             | 7342     | *         | T212A823J100(2)S |  |                                       |
| 100           | 0.082     | A              | T110A823K100A(3)             | 0.3                      | 2              | 2446                               | 2686    | 2926     | 3166      | 4343    | 6343             | 7343     | *         | T212A823K100(2)S |  |                                       |
| 100           | 0.082     | A              | T110A823M100A(3)             | 0.3                      | 2              |                                    |         |          |           |         |                  |          | *         |                  |  |                                       |
| 100           | 0.1       | A              | T110A104J100A(3)             | 0.3                      | 2              | 5138                               | 5338    | 5538     | 5738      | 4344    | 6344             | 7344     | *         | T212A104J100(2)S |  |                                       |
| 100           | 0.1       | A              | T110A104K100A(3)             | 0.3                      | 2              | 2447                               | 2687    | 2927     | 3167      | 4345    | 6345             | 7345     | *         | T212A104K100(2)S |  |                                       |
| 100           | 0.1       | A              | T110A104M100A(3)             | 0.3                      | 2              | 2448                               | 2688    | 2928     | 3168      | 4346    | 6346             | 7346     | *         | T212A104M100(2)S |  |                                       |
| 100           | 0.12      | A              | T110A124J100A(3)             | 0.3                      | 2              | 5139                               | 5339    | 5539     | 5739      | 4347    | 6347             | 7347     | *         | T212A124J100(2)S |  |                                       |
| 100           | 0.12      | A              | T110A124K100A(3)             | 0.3                      | 2              | 2449                               | 2689    | 2929     | 3169      | 4348    | 6348             | 7348     | *         | T212A124K100(2)S |  |                                       |
| 100           | 0.12      | A              | T110A124M100A(3)             | 0.3                      | 2              |                                    |         |          |           |         |                  |          | *         |                  |  |                                       |
| 100           | 0.15      | A              | T110A154J100A(3)             | 0.3                      | 2              | 5140                               | 5340    | 5540     | 5740      | 4349    | 6349             | 7349     | *         | T212A154J100(2)S |  |                                       |
| 100           | 0.15      | A              | T110A154K100A(3)             | 0.3                      | 2              | 2450                               | 2690    | 2930     | 3170      | 4350    | 6350             | 7350     | *         | T212A154K100(2)S |  |                                       |
| 100           | 0.15      | A              | T110A154M100A(3)             | 0.3                      | 2              | 2451                               | 2691    | 2931     | 3171      | 4351    | 6351             | 7351     | *         | T212A154M100(2)S |  |                                       |
| 100           | 0.18      | A              | T110A184J100A(3)             | 0.3                      | 2              | 5141                               | 5341    | 5541     | 5741      | 4352    | 6352             | 7352     | *         | T212A184J100(2)S |  |                                       |
| 100           | 0.18      | A              | T110A184K100A(3)             | 0.3                      | 2              | 2452                               | 2692    | 2932     | 3172      | 4353    | 6353             | 7353     | *         | T212A184K100(2)S |  |                                       |
| 100           | 0.18      | A              | T110A184M100A(3)             | 0.3                      | 2              |                                    |         |          |           |         |                  |          | *         |                  |  |                                       |
| 100           | 0.22      | A              | T110A224J100A(3)             | 0.3                      | 2              | 5142                               | 5342    | 5542     | 5742      | 4354    | 6354             | 7354     | *         | T212A224J100(2)S |  |                                       |
| 100           | 0.22      | A              | T110A224K100A(3)             | 0.3                      | 2              | 2453                               | 2693    | 2933     | 3173      | 4355    | 6355             | 7355     | *         | T212A224K100(2)S |  |                                       |
| 100           | 0.22      | A              | T110A224M100A(3)             | 0.3                      | 2              | 2454                               | 2694    | 2934     | 3174      | 4356    | 6356             | 7356     | *         | T212A224M100(2)S |  |                                       |
| 100           | 0.27      | A              | T110A274J100A(3)             | 0.3                      | 2              | 5143                               | 5343    | 5543     | 5743      | 4357    | 6357             | 7357     | *         | T212A274J100(2)S |  |                                       |
| 100           | 0.27      | A              | T110A274K100A(3)             | 0.3                      | 2              | 2455                               | 2695    | 2935     | 3175      | 4358    | 6358             | 7358     | *         | T212A274K100(2)S |  |                                       |
| 100           | 0.27      | A              | T110A274M100A(3)             | 0.3                      | 2              |                                    |         |          |           |         |                  |          | *         |                  |  |                                       |
| 100           | 0.33      | A              | T110A334J100A(3)             | 0.3                      | 2              | 5144                               | 5344    | 5544     | 5744      | 4359    | 6359             | 7359     | *         | T212A334J100(2)S |  |                                       |
| 100           | 0.33      | A              | T110A334K100A(3)             | 0.3                      | 2              | 2456                               | 2696    | 2936     | 3176      | 4360    | 6360             | 7360     | *         | T212A334K100(2)S |  |                                       |
| 100           | 0.33      | A              | T110A334M100A(3)             | 0.3                      | 2              | 2457                               | 2697    | 2937     | 3177      | 4361    | 6361             | 7361     | *         | T212A334M100(2)S |  |                                       |
| 100           | 0.39      | A              | T110A394J100A(3)             | 0.3                      | 2              | 5145                               | 5345    | 5545     | 5745      | 4362    | 6362             | 7362     | *         | T212A394J100(2)S |  |                                       |
| 100           | 0.39      | A              | T110A394K100A(3)             | 0.3                      | 2              | 2458                               | 2698    | 2938     | 3178      | 4363    | 6363             | 7363     | *         | T212A394K100(2)S |  |                                       |
| 100           | 0.39      | A              | T110A394M100A(3)             | 0.3                      | 2              |                                    |         |          |           |         |                  |          | *         |                  |  |                                       |
| 100           | 0.47      | A              | T110A474J100A(3)             | 0.3                      | 2              | 5146                               | 5346    | 5546     | 5746      | 4364    | 6364             | 7364     | *         | T212A474J100(2)S |  |                                       |
| 100           | 0.47      | A              | T110A474K100A(3)             | 0.3                      | 2              | 2459                               | 2699    | 2939     | 3179      | 4365    | 6365             | 7365     | *         | T212A474K100(2)S |  |                                       |
| 100           | 0.47      | A              | T110A474M100A(3)             | 0.3                      | 2              | 2460                               | 2700    | 2940     | 3180      | 4366    | 6366             | 7366     | *         | T212A474M100(2)S |  |                                       |
| 100           | 0.56      | A              | T110A564J100A(3)             | 0.3                      | 2              | 5147                               | 5347    | 5547     | 5747      | 4367    | 6367             | 7367     | *         | T212A564J100(2)S |  |                                       |
| 100           | 0.56      | A              | T110A564K100A(3)             | 0.3                      | 2              | 2461                               | 2701    | 2941     | 3181      | 4368    | 6368             | 7368     | *         | T212A564K100(2)S |  |                                       |
| (V) 85°C      | µF        | Case Size Code | (see below for part options) | µA at 25°C Max/5 Minimum | 120 Hz Maximum | M (1.0)                            | P (0.1) | R (0.01) | S (0.001) | G (1.0) | B (0.1)          | C (0.01) | D (0.001) | Part Number      |  |                                       |
| Rated Voltage | Rated Cap | Case Size Code | KEMET Part Number            | DC Leakage               | DF % at 25°C   | MIL-PRF-39003 (CSR13) Capacitors   |         |          |           |         |                  |          |           |                  |  |                                       |

(1) To complete KEMET Part Number, insert M for ±20%, K for ±10%, or J for 5%. Designates capacitance tolerance.  
 (2) To complete KEMET Part Number (T212), insert Graded failure rate – B for 0.1%/k hours, C for 0.01%/k hours, D for 0.001%/k hours, or G for 1%/k hours; or insert Exponential failure rate – M for 1%/k hours, P for 0.1%/k hours, R for 0.01%/k hours, or S for 0.001%/k hours.  
 Designates Reliability Level.  
 (3) To complete KEMET Part Number (T110), insert Lead Material designator – S for Standard or T for 100% Matte Tin. Designates Termination finish.  
 Refer to Ordering Information for additional detail.

**Table 1 – Ratings & Part Number Reference cont.**

| Rated Voltage | Rated Cap | Case Size Code | KEMET Part Number            | DC Leakage               | DF % at 25°C   | MIL-PRF-39003 (CSR13) Capacitors   |         |          |           |                  |         |          |           |             |                  | KEMET Equivalent Military |
|---------------|-----------|----------------|------------------------------|--------------------------|----------------|------------------------------------|---------|----------|-----------|------------------|---------|----------|-----------|-------------|------------------|---------------------------|
|               |           |                |                              |                          |                | Dash Number Reference              |         |          |           |                  |         |          |           | Part Number |                  |                           |
|               |           |                |                              |                          |                | Failure Rate Level (%/1,000 hours) |         |          |           |                  |         |          |           |             |                  |                           |
|               |           |                |                              |                          |                | MIL-PRF-39003/1K                   |         |          |           | MIL-PRF-39003/1K |         |          |           |             |                  |                           |
|               |           |                |                              |                          |                | Exponential                        |         |          |           | Graded           |         |          |           |             |                  |                           |
| (V) 85°C      | µF        |                | (See below for part options) | µA at 25°C Max/5 Minutes | 120 Hz Maximum | M (1.0)                            | P (0.1) | R (0.01) | S (0.001) | G (1.0)          | B (0.1) | C (0.01) | D (0.001) |             |                  |                           |
| 100           | 0.56      | A              | T110A564M100A(3)             | 0.3                      | 2              |                                    |         |          |           |                  |         |          |           | *           |                  |                           |
| 100           | 0.68      | B              | T110B684J100A(3)             | 0.3                      | 2              | 5148                               | 5348    | 5548     | 5748      | 4369             | 6369    | 7369     |           | *           | T212B684J100(2)S |                           |
| 100           | 0.68      | B              | T110B684K100A(3)             | 0.3                      | 2              | 2462                               | 2702    | 2942     | 3182      | 4370             | 6370    | 7370     |           | *           | T212B684K100(2)S |                           |
| 100           | 0.68      | B              | T110B684M100A(3)             | 0.3                      | 2              | 2463                               | 2703    | 2943     | 3183      | 4371             | 6371    | 7371     |           | *           | T212B684M100(2)S |                           |
| 100           | 0.82      | B              | T110B824J100A(3)             | 0.4                      | 2              | 5149                               | 5349    | 5549     | 5749      | 4372             | 6372    | 7372     |           | *           | T212B824J100(2)S |                           |
| 100           | 0.82      | B              | T110B824K100A(3)             | 0.4                      | 2              | 2464                               | 2704    | 2944     | 3184      | 4373             | 6373    | 7373     |           | *           | T212B824K100(2)S |                           |
| 100           | 0.82      | B              | T110B824M100A(3)             | 0.4                      | 2              |                                    |         |          |           |                  |         |          |           | *           |                  |                           |
| 100           | 1.0       | B              | T110B105J100A(3)             | 0.5                      | 2              | 5150                               | 5350    | 5550     | 5750      | 4374             | 6374    | 7374     |           | *           | T212B105J100(2)S |                           |
| 100           | 1.0       | B              | T110B105K100A(3)             | 0.5                      | 2              | 2465                               | 2705    | 2945     | 3185      | 4375             | 6375    | 7375     |           | *           | T212B105K100(2)S |                           |
| 100           | 1.0       | B              | T110B105M100A(3)             | 0.5                      | 2              | 2466                               | 2706    | 2946     | 3186      | 4376             | 6376    | 7376     |           | *           | T212B105M100(2)S |                           |
| 100           | 1.2       | B              | T110B125J100A(3)             | 0.5                      | 3              | 5151                               | 5351    | 5551     | 5751      | 4377             | 6377    | 7377     |           | *           | T212B125J100(2)S |                           |
| 100           | 1.2       | B              | T110B125K100A(3)             | 0.5                      | 3              | 2467                               | 2707    | 2947     | 3187      | 4378             | 6378    | 7378     |           | *           | T212B125K100(2)S |                           |
| 100           | 1.2       | B              | T110B125M100A(3)             | 0.5                      | 3              |                                    |         |          |           |                  |         |          |           | *           |                  |                           |
| 100           | 1.5       | B              | T110B155J100A(3)             | 0.7                      | 3              | 5152                               | 5352    | 5552     | 5752      | 4379             | 6379    | 7379     |           | *           | T212B155J100(2)S |                           |
| 100           | 1.5       | B              | T110B155K100A(3)             | 0.7                      | 3              | 2468                               | 2708    | 2948     | 3188      | 4380             | 6380    | 7380     |           | *           | T212B155K100(2)S |                           |
| 100           | 1.5       | B              | T110B155M100A(3)             | 0.7                      | 3              | 2469                               | 2709    | 2949     | 3189      | 4381             | 6381    | 7381     |           | *           | T212B155M100(2)S |                           |
| 100           | 1.8       | B              | T110B185J100A(3)             | 0.7                      | 3              | 5153                               | 5353    | 5553     | 5753      | 4382             | 6382    | 7382     |           | *           | T212B185J100(2)S |                           |
| 100           | 1.8       | B              | T110B185K100A(3)             | 0.7                      | 3              | 2470                               | 2710    | 2950     | 3190      | 4383             | 6383    | 7383     |           | *           | T212B185K100(2)S |                           |
| 100           | 1.8       | B              | T110B185M100A(3)             | 0.7                      | 3              |                                    |         |          |           |                  |         |          |           | *           |                  |                           |
| 100           | 2.2       | B              | T110B225J100A(3)             | 0.9                      | 3              | 5154                               | 5354    | 5554     | 5754      | 4384             | 6384    | 7384     |           | *           | T212B225J100(2)S |                           |
| 100           | 2.2       | B              | T110B225K100A(3)             | 0.9                      | 3              | 2471                               | 2711    | 2951     | 3191      | 4385             | 6385    | 7385     |           | *           | T212B225K100(2)S |                           |
| 100           | 2.2       | B              | T110B225M100A(3)             | 0.9                      | 3              | 2472                               | 2712    | 2952     | 3192      | 4386             | 6386    | 7386     |           | *           | T212B225M100(2)S |                           |
| 100           | 2.7       | B              | T110B275J100A(3)             | 1.1                      | 3              | 5155                               | 5355    | 5555     | 5755      | 4387             | 6387    | 7387     |           | *           | T212B275J100(2)S |                           |
| 100           | 2.7       | B              | T110B275K100A(3)             | 1.1                      | 3              | 2473                               | 2713    | 2953     | 3193      | 4388             | 6388    | 7388     |           | *           | T212B275K100(2)S |                           |
| 100           | 2.7       | B              | T110B275M100A(3)             | 1.1                      | 3              |                                    |         |          |           |                  |         |          |           | *           |                  |                           |
| 100           | 3.3       | C              | T110C335J100A(3)             | 1.5                      | 3              | 5156                               | 5356    | 5556     | 5756      | 4389             | 6389    | *        | *         | *           | T212C335J100(2)S |                           |
| 100           | 3.3       | C              | T110C335K100A(3)             | 1.5                      | 3              | 5157                               | 5357    | 5557     | 5757      | 4390             | 6390    | *        | *         | *           | T212C335K100(2)S |                           |
| 100           | 3.3       | C              | T110C335M100A(3)             | 1.5                      | 3              | 5158                               | 5358    | 5558     | 5758      | 4391             | 6391    | *        | *         | *           | T212C335M100(2)S |                           |
| 100           | 3.9       | C              | T110C395J100A(3)             | 1.5                      | 3              | 5159                               | 5359    | 5559     | 5759      | 4392             | 6392    | *        | *         | *           | T212C395J100(2)S |                           |
| 100           | 3.9       | C              | T110C395K100A(3)             | 1.5                      | 3              | 5160                               | 5360    | 5560     | 5760      | 4393             | 6393    | *        | *         | *           | T212C395K100(2)S |                           |
| 100           | 4.7       | C              | T110C475J100A(3)             | 2.5                      | 3              | 5161                               | 5361    | 5561     | 5761      | 4394             | 6394    | *        | *         | *           | T212C475J100(2)S |                           |
| 100           | 4.7       | C              | T110C475K100A(3)             | 2.5                      | 3              | 5162                               | 5362    | 5562     | 5762      | 4395             | 6395    | *        | *         | *           | T212C475K100(2)S |                           |
| 100           | 4.7       | C              | T110C475M100A(3)             | 2.5                      | 3              | 5163                               | 5363    | 5563     | 5763      | 4396             | 6396    | *        | *         | *           | T212C475M100(2)S |                           |
| 100           | 5.6       | C              | T110C565J100A(3)             | 2.5                      | 3              | 5164                               | 5364    | 5564     | 5764      | 4397             | 6397    | *        | *         | *           | T212C565J100(2)S |                           |
| 100           | 5.6       | C              | T110C565K100A(3)             | 2.5                      | 3              | 5165                               | 5365    | 5565     | 5765      | 4398             | 6398    | *        | *         | *           | T212C565K100(2)S |                           |
| 100           | 6.80      | C              | T110C685J100A(3)             | 2.5                      | 3              | 5166                               | 5366    | 5566     | 5766      | 4399             | 6399    | *        | *         | *           | T212C685J100(2)S |                           |
| 100           | 6.80      | C              | T110C685K100A(3)             | 2.5                      | 3              | 5167                               | 5367    | 5567     | 5767      | 4400             | 6400    | *        | *         | *           | T212C685K100(2)S |                           |
| 100           | 6.80      | C              | T110C685M100A(3)             | 2.5                      | 3              | 5168                               | 5368    | 5568     | 5768      | 4401             | 6401    | *        | *         | *           | T212C685M100(2)S |                           |
| 100           | 8.20      | D              | T110D825(1)100A(3)           | 5.0                      | 3              |                                    |         |          |           |                  |         |          |           | *           |                  |                           |
| 100           | 10.0      | D              | T110D106(1)100A(3)           | 5.0                      | 3              |                                    |         |          |           |                  |         |          |           | *           |                  |                           |
| 125           | 0.0047    | A              | T110A472(1)125A(3)           | 0.5                      | 3              |                                    |         |          |           |                  |         |          |           | *           |                  |                           |
| 125           | 0.0056    | A              | T110A562(1)125A(3)           | 0.5                      | 3              |                                    |         |          |           |                  |         |          |           | *           |                  |                           |
| 125           | 0.0068    | A              | T110A682(1)125A(3)           | 0.5                      | 3              |                                    |         |          |           |                  |         |          |           | *           |                  |                           |
| 125           | 0.0082    | A              | T110A822(1)125A(3)           | 0.5                      | 3              |                                    |         |          |           |                  |         |          |           | *           |                  |                           |
| 125           | 0.01      | A              | T110A103(1)125A(3)           | 0.5                      | 3              |                                    |         |          |           |                  |         |          |           | *           |                  |                           |
| (V) 85°C      | µF        | Case Size Code | (see below for part options) | µA at 25°C Max/5 Minimum | 120 Hz Maximum | M (1.0)                            | P (0.1) | R (0.01) | S (0.001) | G (1.0)          | B (0.1) | C (0.01) | D (0.001) | Part Number |                  |                           |
| Rated Voltage | Rated Cap | Case Size Code | KEMET Part Number            | DC Leakage               | DF % at 25°C   | MIL-PRF-39003 (CSR13) Capacitors   |         |          |           |                  |         |          |           |             |                  |                           |

(1) To complete KEMET Part Number, insert M for ±20%, K for ±10%, or J for 5%. Designates capacitance tolerance.  
 (2) To complete KEMET Part Number (T212), insert Graded failure rate – B for 0.1%/k hours, C for 0.01%/k hours, D for 0.001%/k hours, or G for 1%/k hours; or insert Exponential failure rate – M for 1%/k hours, P for 0.1%/k hours, R for 0.01%/k hours, or S for 0.001%/k hours.  
 Designates Reliability Level.  
 (3) To complete KEMET Part Number (T110), insert Lead Material designator – S for Standard or T for 100% Matte Tin. Designates Termination finish.  
 Refer to Ordering Information for additional detail.

**Table 1 – Ratings & Part Number Reference cont.**

| Rated Voltage | Rated Cap | Case Size Code | KEMET Part Number            | DC Leakage               | DF % at 25°C   | MIL-PRF-39003 (CSR13) Capacitors   |         |          |           |         |                  |          |           |             |  | KEMET Equivalent Military |
|---------------|-----------|----------------|------------------------------|--------------------------|----------------|------------------------------------|---------|----------|-----------|---------|------------------|----------|-----------|-------------|--|---------------------------|
|               |           |                |                              |                          |                | Dash Number Reference              |         |          |           |         |                  |          |           |             |  |                           |
|               |           |                |                              |                          |                | Failure Rate Level (%/1,000 hours) |         |          |           |         |                  |          |           |             |  |                           |
|               |           |                |                              |                          |                | MIL-PRF-39003/1K                   |         |          |           |         | MIL-PRF-39003/1K |          |           |             |  |                           |
|               |           |                |                              |                          |                | Exponential                        |         |          |           |         | Graded           |          |           |             |  |                           |
| (V) 85°C      | µF        |                | (See below for part options) | µA at 25°C Max/5 Minutes | 120 Hz Maximum | M (1.0)                            | P (0.1) | R (0.01) | S (0.001) | G (1.0) | B (0.1)          | C (0.01) | D (0.001) | Part Number |  |                           |
| 125           | 0.012     | A              | T110A123(1)125A(3)           | 0.5                      | 3              |                                    |         |          |           |         |                  |          |           |             |  |                           |
| 125           | 0.015     | A              | T110A153(1)125A(3)           | 0.5                      | 3              |                                    |         |          |           |         |                  |          |           |             |  |                           |
| 125           | 0.018     | A              | T110A183(1)125A(3)           | 0.5                      | 3              |                                    |         |          |           |         |                  |          |           |             |  |                           |
| 125           | 0.022     | A              | T110A223(1)125A(3)           | 0.5                      | 3              |                                    |         |          |           |         |                  |          |           |             |  |                           |
| 125           | 0.027     | A              | T110A273(1)125A(3)           | 0.5                      | 3              |                                    |         |          |           |         |                  |          |           |             |  |                           |
| 125           | 0.033     | A              | T110A333(1)125A(3)           | 0.5                      | 3              |                                    |         |          |           |         |                  |          |           |             |  |                           |
| 125           | 0.039     | A              | T110A393(1)125A(3)           | 1.5                      | 3              |                                    |         |          |           |         |                  |          |           |             |  |                           |
| 125           | 0.047     | A              | T110A473(1)125A(3)           | 1.5                      | 3              |                                    |         |          |           |         |                  |          |           |             |  |                           |
| 125           | 0.056     | A              | T110A563(1)125A(3)           | 1.5                      | 3              |                                    |         |          |           |         |                  |          |           |             |  |                           |
| 125           | 0.068     | A              | T110A683(1)125A(3)           | 1.5                      | 3              |                                    |         |          |           |         |                  |          |           |             |  |                           |
| 125           | 0.082     | A              | T110A823(1)125A(3)           | 1.5                      | 3              |                                    |         |          |           |         |                  |          |           |             |  |                           |
| 125           | 0.1       | A              | T110A104(1)125A(3)           | 1.5                      | 3              |                                    |         |          |           |         |                  |          |           |             |  |                           |
| 125           | 0.12      | A              | T110A124(1)125A(3)           | 1.5                      | 3              |                                    |         |          |           |         |                  |          |           |             |  |                           |
| 125           | 0.15      | A              | T110A154(1)125A(3)           | 1.5                      | 3              |                                    |         |          |           |         |                  |          |           |             |  |                           |
| 125           | 0.18      | A              | T110A184(1)125A(3)           | 1.5                      | 3              |                                    |         |          |           |         |                  |          |           |             |  |                           |
| 125           | 0.22      | A              | T110A224(1)125A(3)           | 1.5                      | 3              |                                    |         |          |           |         |                  |          |           |             |  |                           |
| 125           | 0.27      | A              | T110A274(1)125A(3)           | 1.5                      | 3              |                                    |         |          |           |         |                  |          |           |             |  |                           |
| 125           | 0.33      | A              | T110A334(1)125A(3)           | 1.5                      | 3              |                                    |         |          |           |         |                  |          |           |             |  |                           |
| 125           | 0.39      | B              | T110B394(1)125A(3)           | 1.5                      | 3              |                                    |         |          |           |         |                  |          |           |             |  |                           |
| 125           | 0.47      | B              | T110B474(1)125A(3)           | 1.5                      | 3              |                                    |         |          |           |         |                  |          |           |             |  |                           |
| 125           | 0.56      | B              | T110B564(1)125A(3)           | 1.5                      | 3              |                                    |         |          |           |         |                  |          |           |             |  |                           |
| 125           | 0.68      | B              | T110B684(1)125A(3)           | 1.5                      | 3              |                                    |         |          |           |         |                  |          |           |             |  |                           |
| 125           | 0.82      | B              | T110B824(1)125A(3)           | 1.5                      | 3              |                                    |         |          |           |         |                  |          |           |             |  |                           |
| 125           | 1.0       | B              | T110B105(1)125A(3)           | 1.5                      | 3              |                                    |         |          |           |         |                  |          |           |             |  |                           |
| 125           | 1.2       | B              | T110B125(1)125A(3)           | 1.5                      | 3              |                                    |         |          |           |         |                  |          |           |             |  |                           |
| 125           | 1.5       | B              | T110B155(1)125A(3)           | 1.5                      | 3              |                                    |         |          |           |         |                  |          |           |             |  |                           |
| 125           | 1.8       | B              | T110B185(1)125A(3)           | 1.5                      | 3              |                                    |         |          |           |         |                  |          |           |             |  |                           |
| 125           | 2.2       | B              | T110B225(1)125A(3)           | 1.5                      | 3              |                                    |         |          |           |         |                  |          |           |             |  |                           |
| 125           | 2.7       | C              | T110C275(1)125A(3)           | 2.0                      | 3              |                                    |         |          |           |         |                  |          |           |             |  |                           |
| 125           | 3.3       | C              | T110C335(1)125A(3)           | 2.0                      | 3              |                                    |         |          |           |         |                  |          |           |             |  |                           |
| 125           | 3.9       | C              | T110C395(1)125A(3)           | 2.0                      | 3              |                                    |         |          |           |         |                  |          |           |             |  |                           |
| 125           | 4.7       | C              | T110C475(1)125A(3)           | 3.0                      | 3              |                                    |         |          |           |         |                  |          |           |             |  |                           |
| 125           | 5.6       | C              | T110C565(1)125A(3)           | 3.0                      | 3              |                                    |         |          |           |         |                  |          |           |             |  |                           |
| 125           | 6.8       | C              | T110C685(1)125A(3)           | 3.0                      | 3              |                                    |         |          |           |         |                  |          |           |             |  |                           |
| 125           | 8.2       | D              | T110D825(1)125A(3)           | 6.0                      | 3              |                                    |         |          |           |         |                  |          |           |             |  |                           |
| 125           | 10.0      | D              | T110D106(1)125A(3)           | 6.0                      | 3              |                                    |         |          |           |         |                  |          |           |             |  |                           |
| (V) 85°C      | µF        | Case Size Code | (see below for part options) | µA at 25°C Max/5 Minimum | 120 Hz Maximum | M (1.0)                            | P (0.1) | R (0.01) | S (0.001) | G (1.0) | B (0.1)          | C (0.01) | D (0.001) | Part Number |  |                           |
| Rated Voltage | Rated Cap | Case Size Code | KEMET Part Number            | DC Leakage               | DF % at 25°C   | MIL-PRF-39003 (CSR13) Capacitors   |         |          |           |         |                  |          |           |             |  |                           |

- (1) To complete KEMET Part Number, insert M for ±20%, K for ±10%, or J for 5%. Designates capacitance tolerance.
- (2) To complete KEMET Part Number (T212), insert Graded failure rate – B for 0.1%/k hours, C for 0.01%/k hours, D for 0.001%/k hours, or G for 1%/k hours; or insert Exponential failure rate – M for 1%/k hours, P for 0.1%/k hours, R for 0.01%/k hours, or S for 0.001%/k hours. Designates Reliability Level.
- (3) To complete KEMET Part Number (T110), insert Lead Material designator – S for Standard or T for 100% Matte Tin. Designates Termination finish. Refer to Ordering Information for additional detail.

## Ripple Current/Ripple Voltage

Permissible AC ripple voltage is related to the ESR of the capacitor and the power dissipation capabilities of a particular case size.

Thermal capacities for the various case sizes have been determined empirically and are listed below.

| Temperature Compensation Multipliers<br>for Maximum Power Dissipation |          |           |
|-----------------------------------------------------------------------|----------|-----------|
| T ≤ 25°C                                                              | T ≤ 85°C | T ≤ 125°C |
| 1.00                                                                  | 0.90     | 0.40      |

*T = Environmental Temperature*

Permissible AC ripple current can be determined by the following:

$$I(max) = Z \sqrt{P_{max}/R}$$

*P max = maximum watts*

*R = ESR at specified frequency (ohms)*

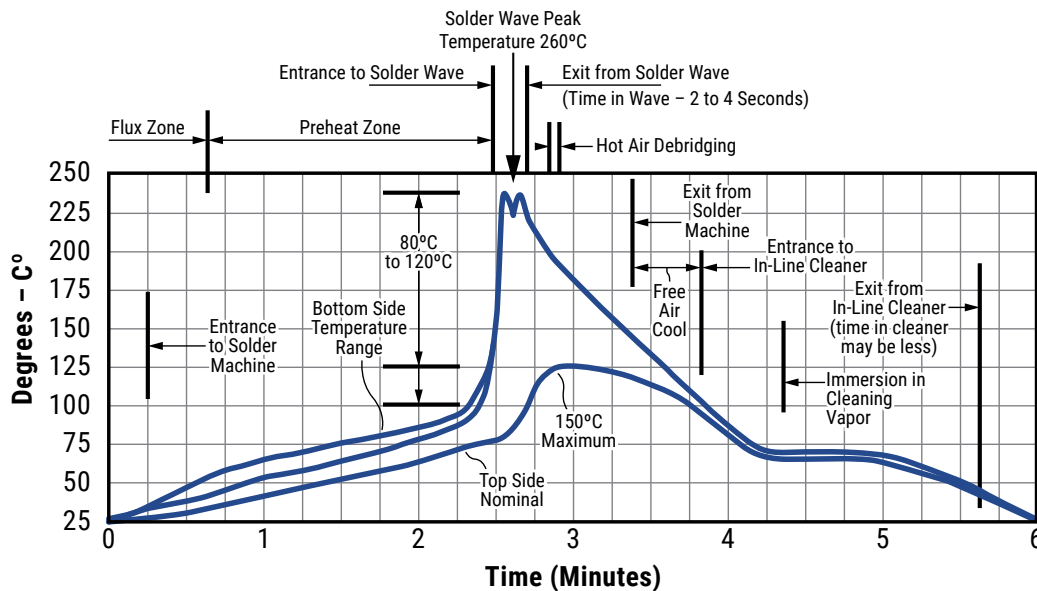
*I = rms ripple current (amperes)*

*Z = capacitor impedance in ohms at the specified frequency*

| Case Size | Maximum Power Dissipation (P max) | T2XX  |
|-----------|-----------------------------------|-------|
| A         | 0.09                              | 0.070 |
| B         | 0.100                             | 0.090 |
| C         | 0.125                             | –     |
| D         | 0.180                             | –     |

*Maximum Power Dissipation: 25°C Ambient*

## Optimum Solder Wave Profile



## Reverse Voltage

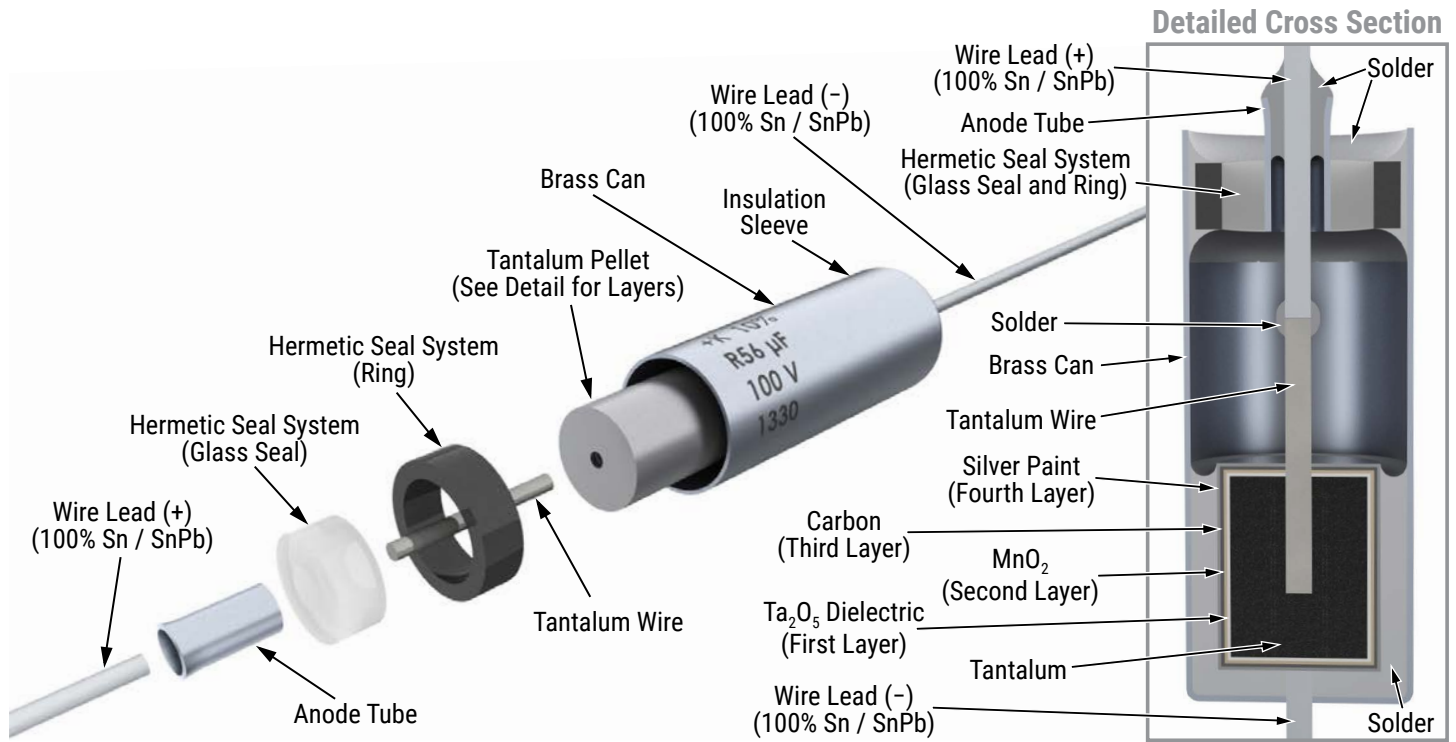
Although these are polar capacitors, some degree of transient voltage reversal is permissible, as seen below. The capacitors should not be operated continuously in reverse mode, even within these limits.

| Temperature | Percentage of Rated Voltage |
|-------------|-----------------------------|
| +25°C       | 15                          |
| +85°C       | 5                           |
| +125°C      | 1                           |

## Mounting

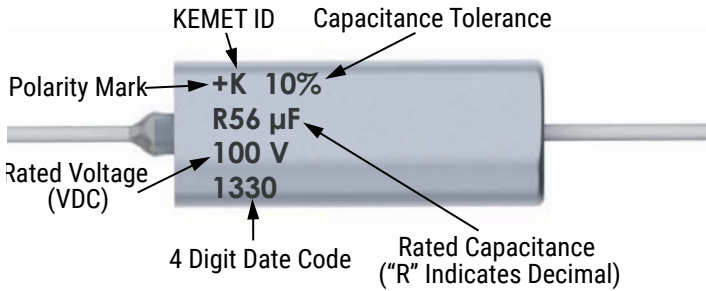
All encased capacitors will pass the Resistance to Soldering Heat Test of MIL-STD-202, Method 210, Condition C. This test simulates wave solder of topside board mount product. This demonstration of resistance to solder heat is in accordance with what is believed to be the industry standard. More severe treatment must be considered reflective of an improper soldering process. The above figure is a recommended solder wave profile for both axial and radial leaded solid tantalum capacitors.

## Construction

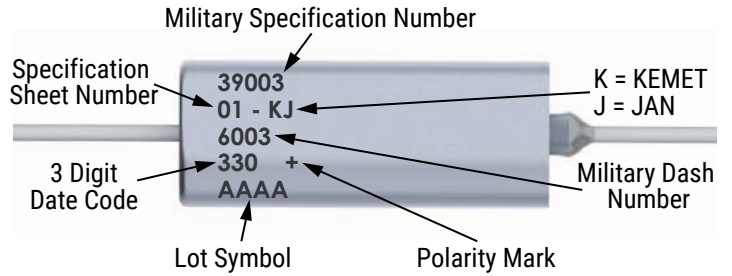


## Capacitor Marking

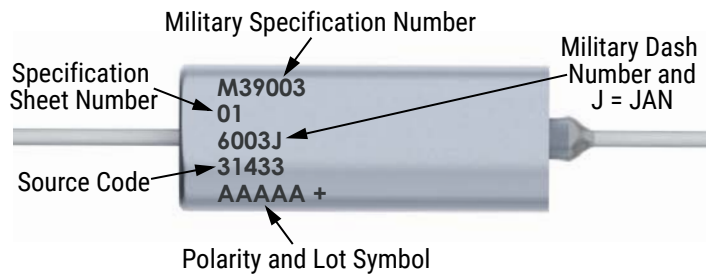
### T110



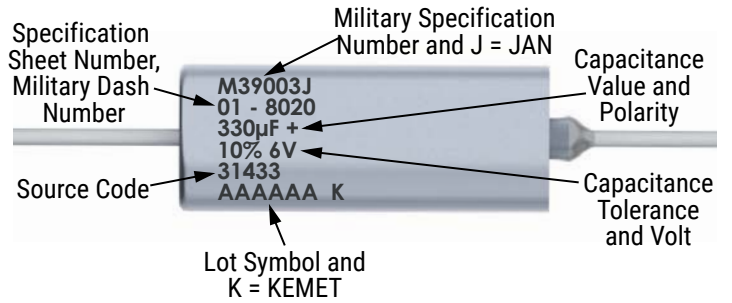
### T212 – A Case



### T212 – B Case



### T212 – C and D Case



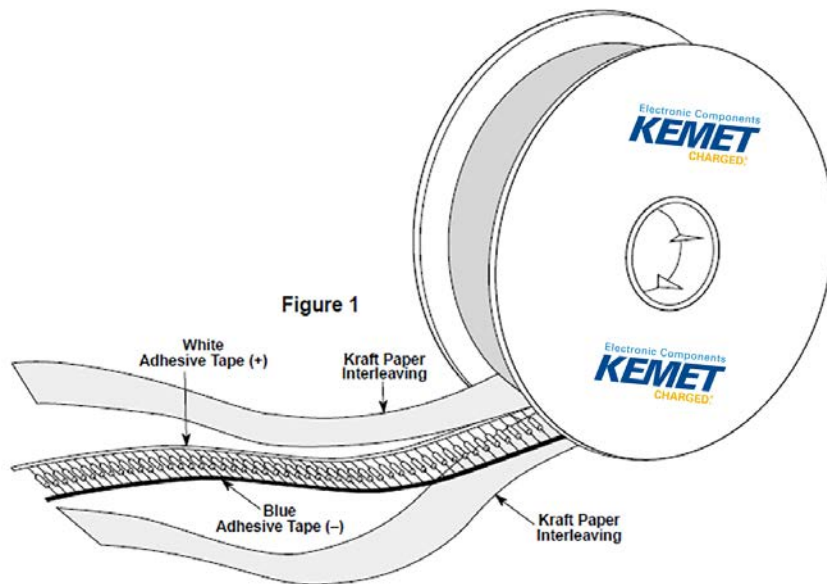
| Date Code | 3 Digit                                                                            | 4 Digit   |
|-----------|------------------------------------------------------------------------------------|-----------|
| Year      | 5 = 2015                                                                           | 15 = 2015 |
|           | 6 = 2016                                                                           | 16 = 2016 |
|           | 7 = 2017                                                                           | 17 = 2017 |
|           | 8 = 2018                                                                           | 18 = 2018 |
|           | 9 = 2019                                                                           | 19 = 2019 |
| Week      | 01 = 1 <sup>st</sup> week of the year to<br>52 = 52 <sup>nd</sup> week of the year |           |

## Storage

Tantalum hermetically sealed capacitors should be stored in normal working environments. While the capacitors themselves are quite robust in other environments, solderability will be degraded by exposure to high temperatures, high humidity, corrosive atmospheres, and long term storage. In addition, packaging materials will be degraded by high temperature – reels may soften or warp and tape peel force may increase. KEMET recommends that maximum storage temperature not exceed 40°C and maximum storage humidity not exceed 60% relative humidity. Temperature fluctuations should be minimized to avoid condensation on the parts and atmospheres should be free of chlorine and sulphur bearing compounds. For optimized solderability capacitors stock should be used promptly, preferably within three years of receipt.

## Tape & Reel Packaging Information

KEMET offers standard reeling of Solid Tantalum Capacitors for automatic insertion or lead forming machines per EIA Specification RS-296E.

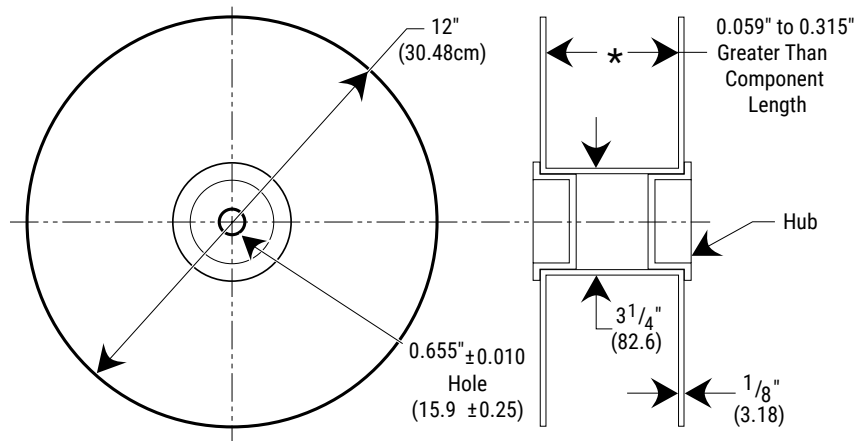


**Table 2 – Packaging Quantity**

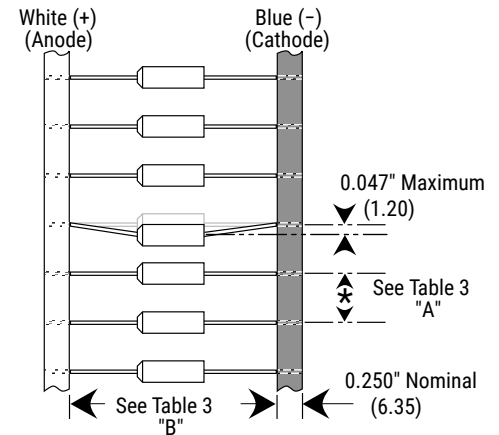
| Case Size | Standard Bulk Quantity | Standard Reel Quantity | Reel C-Spec | Ammo Pack Quantity | Ammo Pack C-Spec                |
|-----------|------------------------|------------------------|-------------|--------------------|---------------------------------|
| A         | 150/Box                | 3,500                  | C-7200      | 1,500              | C-7293                          |
| B         | 75/Box                 | 2,500                  | C-7200      | 1,000              | Class I                         |
| C         | 20/Tray                | 500                    | C-7200      | 250                | C-7442                          |
| D         | 20/Tray                | 400                    | C-7200      | 250                | Class II<br>C-7443<br>Class III |



**Figure 2**



**Figure 3**



**Table 3 – Tape Dimensions**

Dimensions in Inches (& Millimeters)

| BODY DIAMETER               | A<br>PITCH<br>±0.020 (0.5) | B<br>INSIDE TAPE SPACING                    |
|-----------------------------|----------------------------|---------------------------------------------|
| ≤ 0.197 (5.0)               | 0.200 (5.0)                | 2.063 (52.4)<br>+0.079, -0.039 (+2.0, -1.0) |
| 0.198 (5.0) to 0.394 (10.0) | 0.400 or (10.0)            | 2.874 (73)<br>+/0.059                       |

Capacitors are reeled so that positive leads are oriented as shown in Figure 3. Kraft paper (50 lbs. test minimum) is inserted between the layers of capacitors wound on reels for component pitch ≤ 0.200" sizes and corrugated paper (70 lbs. test minimum), single faced is inserted for component pitch ≥ 0.400" sizes. Capacitor lead length may extend only a maximum of 0.031" (0.8 mm) beyond the tape's edges. Capacitors are centered in a row between the two tapes and will deviate only ±0.031" (0.79 mm) from the row center.

Figures 1 and 2 show the KEMET standard chipboard tape reel.

A minimum of 36" (91.5 cm) leader tape is provided at each end of the reeled capacitors.

Universal splicing clips are used to connect the tape.

## KEMET Electronics Corporation Sales Offices

For a complete list of our global sales offices, please visit [www.kemet.com/sales](http://www.kemet.com/sales).

---

### Disclaimer

All product specifications, statements, information and data (collectively, the "Information") in this datasheet are subject to change. The customer is responsible for checking and verifying the extent to which the Information contained in this publication is applicable to an order at the time the order is placed. All Information given herein is believed to be accurate and reliable, but it is presented without guarantee, warranty, or responsibility of any kind, expressed or implied.

Statements of suitability for certain applications are based on KEMET Electronics Corporation's ("KEMET") knowledge of typical operating conditions for such applications, but are not intended to constitute – and KEMET specifically disclaims – any warranty concerning suitability for a specific customer application or use. The Information is intended for use only by customers who have the requisite experience and capability to determine the correct products for their application. Any technical advice inferred from this Information or otherwise provided by KEMET with reference to the use of KEMET's products is given gratis, and KEMET assumes no obligation or liability for the advice given or results obtained.

Although KEMET designs and manufactures its products to the most stringent quality and safety standards, given the current state of the art, isolated component failures may still occur. Accordingly, customer applications which require a high degree of reliability or safety should employ suitable designs or other safeguards (such as installation of protective circuitry or redundancies) in order to ensure that the failure of an electrical component does not result in a risk of personal injury or property damage.

Although all product-related warnings, cautions and notes must be observed, the customer should not assume that all safety measures are indicated or that other measures may not be required.

*KEMET is a registered trademark of KEMET Electronics Corporation.*