



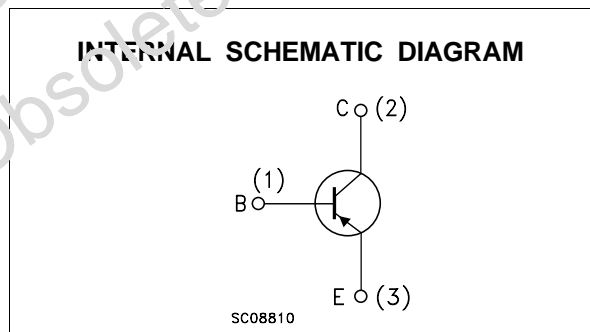
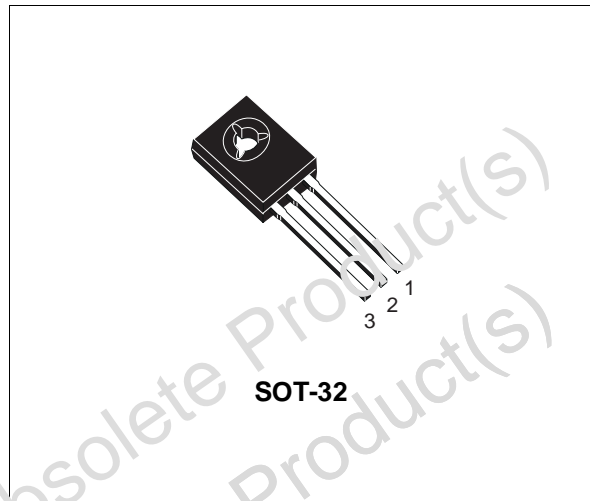
MJE210

SILICON PNP TRANSISTOR

- STMicroelectronics PREFERRED SALESTYPE
- PNP TRANSISTOR

DESCRIPTION

The MJE210 is a silicon Epitaxial-Base PNP transistor in Jedec SOT-32 plastic package, designed for low voltage, low power, high gain audio amplifier applications.



ABSOLUTE MAXIMUM RATINGS

Symbol	Parameter	Value	Unit
V_{CB0}	Collector-Base Voltage ($I_E = 0$)	-40	V
V_{CE0}	Collector-Emitter Voltage ($I_B = 0$)	-25	V
V_{EB0}	Base-Emitter Voltage ($I_C = 0$)	-8	V
I_C	Collector Current	-5	A
I_{CM}	Collector Peak Current ($t_p < 5$ ms)	-10	A
I_B	Base Current	-1	A
P_{tot}	Total Power Dissipation at $T_{case} \leq 25$ °C at $T_{amb} \leq 25$ °C	15 1.5	W
T_{stg}	Storage Temperature	-65 to 150	°C
T_j	Max Operating Junction Temperature	150	°C

MJE210

THERMAL DATA

R _{thj-amb}	Thermal Resistance Junction-ambient	Max	83.4	°C/W
R _{thj-case}	Thermal Resistance Junction-case	Max	8.34	°C/W

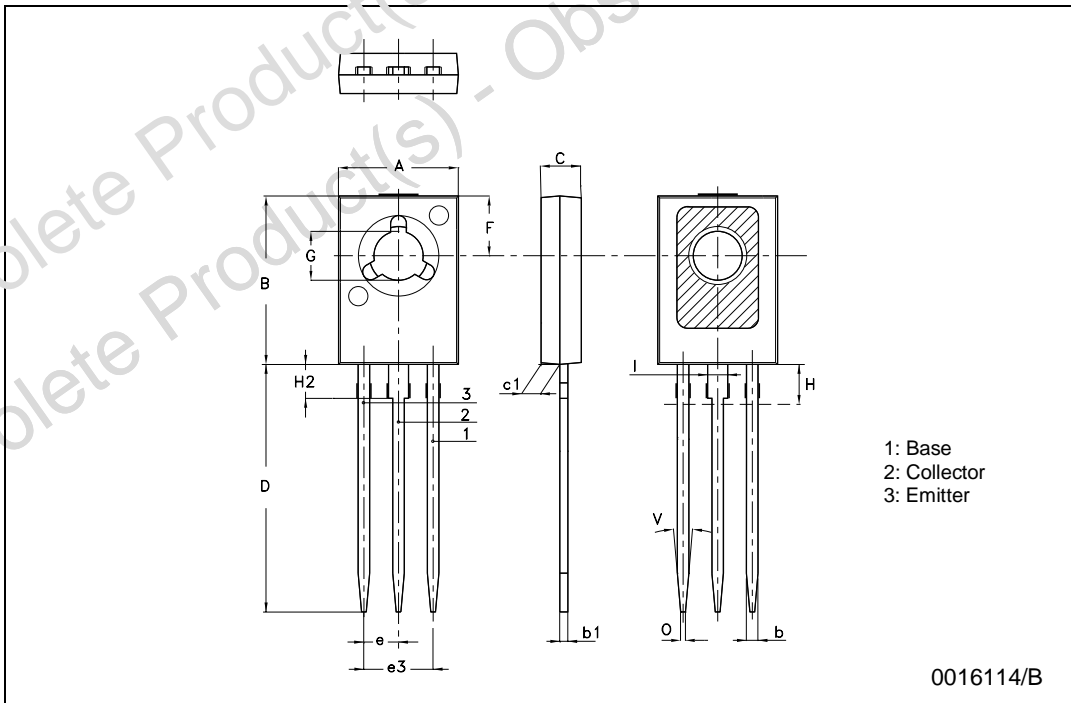
ELECTRICAL CHARACTERISTICS (T_{case} = 25 °C unless otherwise specified)

Symbol	Parameter	Test Conditions	Min.	Typ.	Max.	Unit
I _{CBO}	Collector Cut-off Current (I _E = 0)	V _{CB} = -40 V V _{CB} = -40 V T _{case} = 125°C			-100 -100	nA μA
I _{EBO}	Emitter Cut-off Current (I _C = 0)	V _{EB} = -8 V			-100	nA
V _{CEO(sus)*}	Collector-Emitter Sustaining Voltage (I _B = 0)	I _C = -10 mA	-25			V
V _{CE(sat)*}	Collector-Emitter Sustaining Voltage	I _C = -0.5 A I _B = -50 mA I _C = -2 A I _B = -0.2 A I _C = -5 A I _B = -1 A			-0.3 -0.75 -1.8	V V V
V _{BE(sat)*}	Base-Emitter on Voltage	I _C = -5 A I _B = -1 A			-2.5	V
V _{BE*}	Base-Emitter on Voltage	I _C = -2 A V _{CE} = -1 V			-1.6	V
h _{FE*}	DC Current Gain	I _C = -0.5 A V _{CE} = -1 V I _C = -2 A V _{CE} = -1 V I _C = -5 A V _{CE} = -2 V	70 45 10		180	
f _T	Transistor Frequency	I _C = 0.1 A V _{CE} = 10 V f = 10 MHz	65			MHz
C _{CBO}	Collector-base Capacitance	V _{CE} = -10 V I _E = 0 f = 0.1 MHz			120	pF

* Pulsed: Pulse duration = 300μs, duty cycle = 1.5%

SOT-32 (TO-126) MECHANICAL DATA

DIM.	mm			inch		
	MIN.	TYP.	MAX.	MIN.	TYP.	MAX.
A	7.4		7.8	0.291		0.307
B	10.5		10.8	0.413		0.425
b	0.7		0.9	0.028		0.035
b1	0.40		0.65	0.015		0.025
C	2.4		2.7	0.094		0.106
c1	1.0		1.3	0.039		0.051
D	15.4		16.0	0.606		0.630
e		2.2			0.087	
e3		4.4			0.173	
F		3.8			0.150	
G	3		3.2	0.118		0.126
H			2.54			0.100
H2		2.15			0.084	
I		1.27			0.05	
O		0.3			0.011	
V		10°			10°	



Obsolete Product(s) - Obsolete Product(s)
Obsolete Product(s) - Obsolete Product(s)

Information furnished is believed to be accurate and reliable. However, STMicroelectronics assumes no responsibility for the consequences of use of such information nor for any infringement of patents or other rights of third parties which may result from its use. No license is granted by implication or otherwise under any patent or patent rights of STMicroelectronics. Specification mentioned in this publication are subject to change without notice. This publication supersedes and replaces all information previously supplied. STMicroelectronics products are not authorized for use as critical components in life support devices or systems without express written approval of STMicroelectronics.

The ST logo is a trademark of STMicroelectronics.
All other names are the property of their respective owners.

© 2003 STMicroelectronics – All Rights reserved
STMicroelectronics GROUP OF COMPANIES

Australia - Belgium - Brazil - Canada - China - Czech Republic - Finland - France - Germany - Hong Kong - India - Israel - Italy - Japan - Malaysia - Malta - Morocco - Singapore - Spain - Sweden - Switzerland - United Kingdom - United States.

<http://www.st.com>