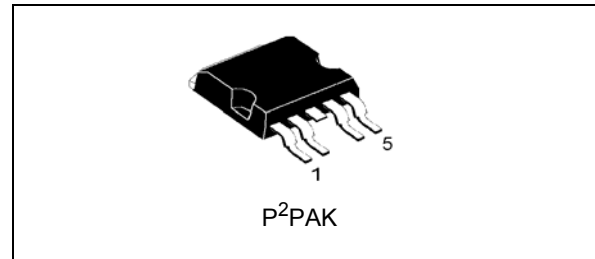


Single channel high-side solid state relay

Features

| Type | $R_{DS(on)}$ | I_{OUT} | V_{CC} |
|-----------|---------------|-----------|----------|
| VN920B5-E | 16 m Ω | 30 A | 36 V |

- ECOPACK[®]: lead free and RoHS compliant
- Automotive Grade: compliance with AEC Guidelines
- Very low standby current
- CMOS compatible input
- Proportional load current sense
- Current sense disable
- Thermal shutdown protection and diagnosis
- Undervoltage shutdown
- Overvoltage clamp
- Load current limitation



Description

The VN920B5-E is a monolithic device designed in STMicroelectronics™ VIPower™ M0-3 technology. The VN920B5-E is intended for driving any type of load with one side connected to ground.

The active V_{CC} pin voltage clamp protects the device against low energy spikes (see ISO7637 transient compatibility table).

Active current limitation combined with thermal shutdown and automatic restart protect the device against overload.

The device integrates an analog current sense output which delivers a current proportional to the load current. The device automatically turns off in the case where the ground pin becomes disconnected.

Table 1. Device summary

| Package | Order codes | |
|--------------------|-------------|---------------|
| | Tube | Tape and reel |
| P ² PAK | VN920B5-E | VN920B5TR-E |

Contents

- 1 Block diagram and pin description 5**
- 2 Electrical specifications 6**
 - 2.1 Absolute maximum ratings 6
 - 2.2 Thermal data 7
 - 2.3 Electrical characteristics 8
 - 2.4 Electrical characteristics curves 14
- 3 Application information 16**
 - 3.1 GND protection network against reverse battery 16
 - 3.1.1 Solution 1: resistor in the ground line (RGND only) 16
 - 3.1.2 Solution 2: diode (DGND) in the ground line 17
 - 3.2 Load dump protection 17
 - 3.3 MCU I/Os protection 17
 - 3.4 P²PAK maximum demagnetization energy (VCC = 13.5V) 18
- 4 Package and PCB thermal data 19**
 - 4.1 P²PAK thermal data 19
- 5 Package and packing information 22**
 - 5.1 ECOPACK[®] packages 22
 - 5.2 P²PAK mechanical data 22
 - 5.3 P²PAK packing information 24
- 6 Revision history 25**

List of tables

| | | |
|-----------|---|----|
| Table 1. | Device summary | 1 |
| Table 2. | Suggested connections for unused and not connected pins | 5 |
| Table 3. | Absolute maximum ratings | 6 |
| Table 4. | Thermal data | 7 |
| Table 5. | Power | 8 |
| Table 6. | Switching ($V_{CC} = 13\text{ V}$) | 8 |
| Table 7. | Logic inputs | 9 |
| Table 8. | Current sense ($9\text{ V} \leq V_{CC} \leq 16\text{ V}$) | 9 |
| Table 9. | V_{CC} output diode | 10 |
| Table 10. | Protections | 10 |
| Table 11. | Truth table | 10 |
| Table 12. | Electrical transient requirements | 11 |
| Table 13. | P ² PAK thermal parameter | 21 |
| Table 14. | P ² PAK mechanical data | 23 |
| Table 15. | Document revision history | 25 |

List of figures

| | | |
|------------|--|----|
| Figure 1. | Block diagram | 5 |
| Figure 2. | Configuration diagram (top view) | 5 |
| Figure 3. | Current and voltage conventions | 6 |
| Figure 4. | Switching characteristics | 11 |
| Figure 5. | I_{OUT}/I_{SENSE} versus I_{OUT} | 12 |
| Figure 6. | Waveforms | 13 |
| Figure 7. | Off-state output current | 14 |
| Figure 8. | High-level input current | 14 |
| Figure 9. | Input clamp voltage | 14 |
| Figure 10. | Turn-on voltage slope | 14 |
| Figure 11. | Overshoot shutdown | 14 |
| Figure 12. | Turn-off voltage slope | 14 |
| Figure 13. | I_{LIM} vs T_{case} | 15 |
| Figure 14. | On-state resistance vs V_{CC} | 15 |
| Figure 15. | Input high-level | 15 |
| Figure 16. | Input hysteresis voltage | 15 |
| Figure 17. | On-state resistance vs T_{case} | 15 |
| Figure 18. | Input low level | 15 |
| Figure 19. | Application schematic | 16 |
| Figure 20. | P ² PAK maximum turn-off current versus inductance ⁽¹⁾ | 18 |
| Figure 21. | P ² PAK PC board ⁽¹⁾ | 19 |
| Figure 22. | P ² PAK $R_{thj-amb}$ vs PCB copper area in open box free air condition | 19 |
| Figure 23. | P ² PAK thermal impedance junction ambient single pulse | 20 |
| Figure 24. | Thermal fitting model of a single channel HSD in P ² PAK | 20 |
| Figure 25. | P ² PAK package dimensions | 22 |
| Figure 26. | P ² PAK tube shipment (no suffix) | 24 |
| Figure 27. | P ² PAK tape and reel (suffix "TR") | 24 |

1 Block diagram and pin description

Figure 1. Block diagram

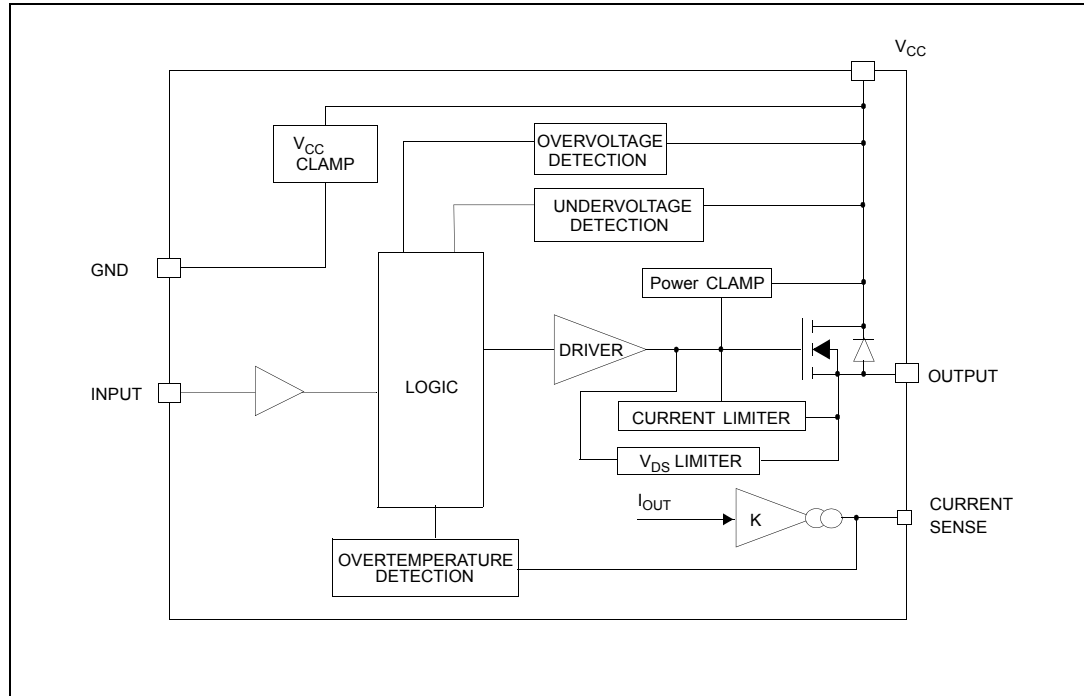


Figure 2. Configuration diagram (top view)

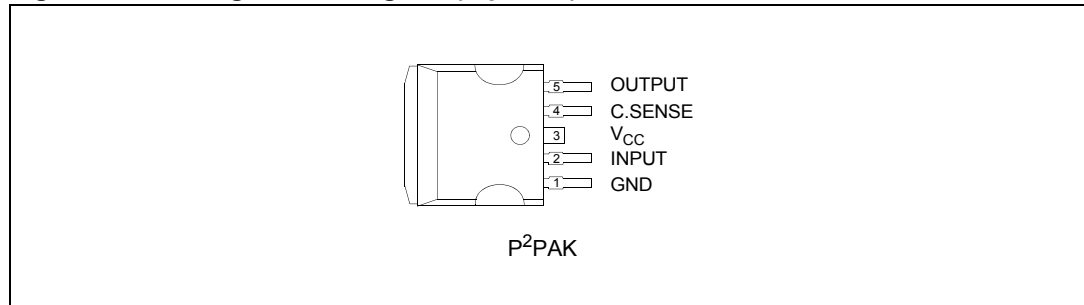
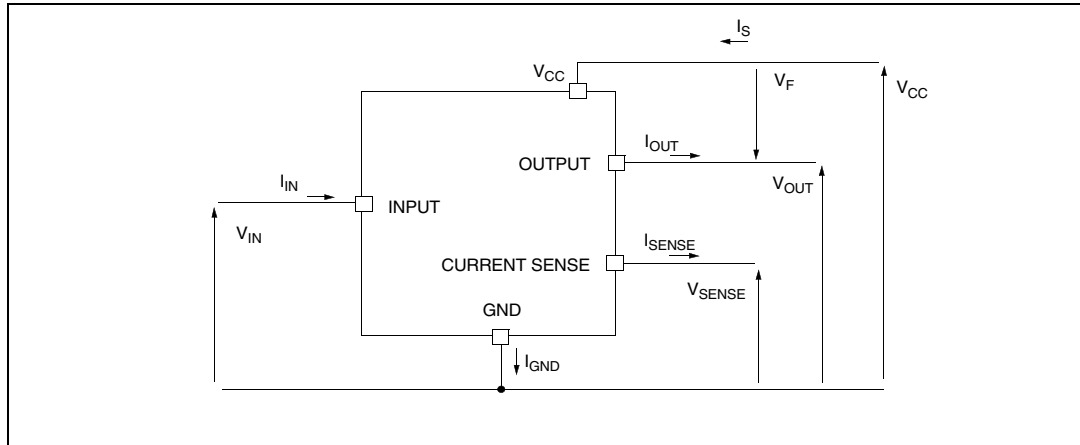


Table 2. Suggested connections for unused and not connected pins

| Connection / pin | Current Sense | N.C. | Output | Input |
|------------------|----------------------|------|--------|-----------------------|
| Floating | | X | X | X |
| To ground | Through 1KΩ resistor | X | | Through 10KΩ resistor |

2 Electrical specifications

Figure 3. Current and voltage conventions



2.1 Absolute maximum ratings

Stressing the device above the rating listed in the “Absolute maximum ratings” table may cause permanent damage to the device. These are stress ratings only and operation of the device at these or any other conditions above those indicated in the operating sections of this specification is not implied. Exposure to Absolute maximum rating conditions for extended periods may affect device reliability. Refer also to the STMicroelectronics sure program and other relevant quality document.

Table 3. Absolute maximum ratings

| Symbol | Parameter | Value | Unit |
|--------------|---|--------------------|--------|
| V_{CC} | DC supply voltage | 41 | V |
| $-V_{CC}$ | Reverse DC supply voltage | - 0.3 | V |
| $-I_{gnd}$ | DC reverse ground pin current | - 200 | mA |
| I_{OUT} | DC output current | Internally limited | A |
| $-I_{OUT}$ | Reverse DC output current | - 21 | A |
| I_{IN} | DC input current | +/- 10 | mA |
| V_{CSENSE} | Current sense maximum voltage | - 3 + 15 | V V |
| V_{ESD} | Electrostatic discharge (human body model: R = 1.5 K Ω ; C = 100 pF) | | |
| | - INPUT | 4000 | V |
| | - CURRENT SENSE | 2000 | V |
| | - OUTPUT | 5000 | V |
| | - V_{CC} | 5000 | V |
| E_{MAX} | Maximum switching energy (L = 0.25 mH; R _L = 0 Ω ; V _{bat} = 13.5 V; T _{jstart} = 150 °C; I _L = 45 A) | 364 | mJ |

Table 3. Absolute maximum ratings (continued)

| Symbol | Parameter | Value | Unit |
|-----------|---|--------------------|------|
| P_{tot} | Power dissipation $T_C \leq 25\text{ °C}$ | 96.1 | W |
| T_j | Junction operating temperature | Internally limited | °C |
| T_c | Case operating temperature | - 40 to 150 | °C |
| T_{stg} | Storage temperature | - 55 to 150 | °C |

2.2 Thermal data

Table 4. Thermal data

| Symbol | Parameter | Max. value | Unit |
|----------------|-------------------------------------|---------------------|------|
| $R_{thj-case}$ | Thermal resistance junction-case | 1.3 | °C/W |
| $R_{thj-lead}$ | Thermal resistance junction-lead | | °C/W |
| $R_{thj-amb}$ | Thermal resistance junction-ambient | 51.3 ⁽¹⁾ | °C/W |
| | | 37 ⁽²⁾ | °C/W |

1. When mounted on a standard single-sided FR-4 board with 0.5cm² of Cu (at least 35µm thick).
2. When mounted on a standard single-sided FR-4 board with 6cm² of Cu (at least 35µm thick).

2.3 Electrical characteristics

Values specified in this section are for $8\text{ V} < V_{CC} < 36\text{ V}$; $-40\text{ °C} < T_j < 150\text{ °C}$, unless otherwise stated.

Table 5. Power

| Symbol | Parameter | Test conditions | Min. | Typ. | Max. | Unit |
|---------------|--------------------------|---|------|------|------|---------------|
| V_{CC} | Operating supply voltage | | 5.5 | 13 | 36 | V |
| V_{USD} | Undervoltage shutdown | | 3 | 4 | 5.5 | V |
| V_{OV} | Overvoltage shutdown | | 36 | | | V |
| R_{ON} | On-state resistance | $I_{OUT} = 10\text{ A}$; $T_j = 25\text{ °C}$ | | | 16 | m Ω |
| | | $I_{OUT} = 10\text{ A}$ | | | 32 | m Ω |
| | | $I_{OUT} = 3\text{ A}$; $V_{CC} = 6\text{ V}$ | | | 55 | m Ω |
| V_{CLAMP} | Clamp voltage | $I_{CC} = 20\text{ mA}$ | 41 | 48 | 55 | V |
| I_S | Supply current | Off-state; $V_{CC} = 13\text{ V}$; $V_{IN} = V_{OUT} = 0\text{ V}$ | | 10 | 25 | μA |
| | | Off-state; $V_{CC} = 13\text{ V}$; $V_{IN} = V_{OUT} = 0\text{ V}$; $T_j = 25\text{ °C}$ | | 10 | 20 | μA |
| | | On-state; $V_{CC} = 13\text{ V}$; $V_{IN} = 5\text{ V}$; $I_{OUT} = 0\text{ A}$; $R_{SENSE} = 3.9\text{ k}\Omega$ | | | 5 | mA |
| $I_{L(off1)}$ | Off-state output current | $V_{IN} = V_{OUT} = 0\text{ V}$ | 0 | | 50 | μA |
| $I_{L(off2)}$ | Off-state output current | $V_{IN} = 0\text{ V}$; $V_{OUT} = 3.5\text{ V}$ | -75 | | 0 | μA |
| $I_{L(off3)}$ | Off-state output current | $V_{IN} = V_{OUT} = 0\text{ V}$; $V_{CC} = 13\text{ V}$; $T_j = 125\text{ °C}$ | | | 5 | μA |
| $I_{L(off4)}$ | Off-state output current | $V_{IN} = V_{OUT} = 0\text{ V}$; $V_{CC} = 13\text{ V}$; $T_j = 25\text{ °C}$ | | | 3 | μA |

Note: V_{CLAMP} and V_{OV} are correlated. Typical difference is 5V.

Table 6. Switching ($V_{CC} = 13\text{ V}$)

| Symbol | Parameter | Test conditions | Min. | Typ. | Max. | Unit |
|-----------------------|------------------------|---|-------------------------------|------|------|------------------|
| $t_{d(on)}$ | Turn-on delay time | $R_L = 1.3\ \Omega$ (see Figure 4) | | 50 | | μs |
| $t_{d(off)}$ | Turn-off delay time | $R_L = 1.3\ \Omega$ (see Figure 4) | | 50 | | μs |
| $dV_{OUT}/dt_{(on)}$ | Turn-on voltage slope | $R_L = 1.3\ \Omega$ (see Figure 4) | See Figure 10 | | | V/ μs |
| $dV_{OUT}/dt_{(off)}$ | Turn-off voltage slope | $R_L = 1.3\ \Omega$ (see Figure 4) | See Figure 12 | | | V/ μs |

Table 7. Logic inputs

| Symbol | Parameter | Test conditions | Min. | Typ. | Max. | Unit |
|---------------|--------------------------|--------------------------|------|------|------|---------------|
| V_{IL} | Input low level voltage | | | | 1.25 | V |
| I_{IL} | Low level input current | $V_{IN} = 1.25\text{ V}$ | 1 | | | μA |
| V_{IH} | Input high-level voltage | | 3.25 | | | V |
| I_{IH} | High-level input current | $V_{IN} = 3.25\text{ V}$ | | | 10 | μA |
| $V_{I(hyst)}$ | Input hysteresis voltage | | 0.5 | | | V |
| V_{ICL} | Input clamp voltage | $I_{IN} = 1\text{ mA}$ | 6 | 6.8 | 8 | V |
| | | $I_{IN} = -1\text{ mA}$ | | -0.7 | | V |

Table 8. Current sense ($9\text{ V} \leq V_{CC} \leq 16\text{ V}$)

| Symbol | Parameter | Test conditions | Min. | Typ. | Max. | Unit |
|---------------|--|---|--------------|--------------|--------------|---------------|
| K_1 | I_{OUT}/I_{SENSE} | $I_{OUT} = 1\text{ A}; V_{SENSE} = 0.5\text{ V};$ $T_j = -40\text{ }^\circ\text{C} \dots 150\text{ }^\circ\text{C}$ | 3300 | 4400 | 6000 | |
| dK_1/K_1 | Current sense ratio drift | $I_{OUT} = 1\text{ A}; V_{SENSE} = 0.5\text{ V};$ $T_j = -40\text{ }^\circ\text{C} \dots 150\text{ }^\circ\text{C}$ | -10 | | +10 | % |
| K_2 | I_{OUT}/I_{SENSE} | $I_{OUT} = 10\text{ A}; V_{SENSE} = 4\text{ V};$ $T_j = -40\text{ }^\circ\text{C}$ $T_j = 25\text{ }^\circ\text{C} \dots 150\text{ }^\circ\text{C}$ | 4200 4400 | 4900 4900 | 6000 5750 | |
| dK_2/K_2 | Current sense ratio drift | $I_{OUT} = 10\text{ A}; V_{SENSE} = 4\text{ V};$ $T_j = -40\text{ }^\circ\text{C} \dots 150\text{ }^\circ\text{C}$ | -8 | | +8 | % |
| K_3 | I_{OUT}/I_{SENSE} | $I_{OUT} = 30\text{ A}; V_{SENSE} = 4\text{ V};$ $T_j = -40\text{ }^\circ\text{C}$ $T_j = 25\text{ }^\circ\text{C} \dots 150\text{ }^\circ\text{C}$ | 4200 4400 | 4900 4900 | 5500 5250 | |
| dK_3/K_3 | Current sense ratio drift | $I_{OUT} = 30\text{ A}; V_{SENSE} = 4\text{ V};$ $T_j = -40\text{ }^\circ\text{C} \dots 150\text{ }^\circ\text{C}$ | -6 | | +6 | % |
| I_{SENSE0} | Analog sense current | $V_{CC} = 6 \dots 16\text{ V}; I_{OUT} = 0\text{ A};$ $V_{SENSE} = 0\text{ V};$ $T_j = -40\text{ }^\circ\text{C} \dots 150\text{ }^\circ\text{C}$ | 0 | | 10 | μA |
| V_{SENSE} | Max analog sense output voltage | $V_{CC} = 5.5\text{ V}; I_{OUT} = 5\text{ A};$ $R_{SENSE} = 10\text{ k}\Omega$ | 2 | | | V |
| | | $V_{CC} > 8\text{ V}; I_{OUT} = 10\text{ A};$ $R_{SENSE} = 10\text{ k}\Omega$ | 4 | | | V |
| V_{SENSEH} | Sense voltage in overtemperature condition | $V_{CC} = 13\text{ V}; R_{SENSE} = 3.9\text{ k}\Omega$ | | 5.5 | | V |
| $R_{VSENSEH}$ | Analog sense output impedance in overtemperature condition | $V_{CC} = 13\text{ V}; T_j > T_{TSD};$ output open | | 400 | | Ω |
| t_{DSENSE} | Current sense delay response | To 90 % $I_{SENSE}^{(1)}$ | | | 500 | μs |

1. Current sense signal delay after positive input slope.

Table 9. V_{CC} output diode

| Symbol | Parameter | Test conditions | Min. | Typ. | Max. | Unit |
|----------------|--------------------|--|------|------|------|------|
| V _F | Forward on voltage | -I _{OUT} = 5 A; T _j = 150 °C | — | — | 0.6 | V |

Table 10. Protections⁽¹⁾

| Symbol | Parameter | Test conditions | Min. | Typ. | Max. | Unit |
|--------------------|--------------------------------|---|----------------------|----------------------|----------------------|------|
| T _{TSD} | Shutdown temperature | | 150 | 175 | 200 | °C |
| T _R | Reset temperature | | 135 | | | °C |
| T _{hyst} | Thermal hysteresis | | 7 | 15 | | °C |
| I _{lim} | Current limitation | V _{CC} = 13 V | 30 | 45 | 75 | A |
| | | 5 V < V _{CC} < 36 V | | | 75 | A |
| V _{demag} | Turn-off output clamp voltage | I _{OUT} = 2 A; V _{IN} = 0 V; L = 6 mH | V _{CC} - 41 | V _{CC} - 48 | V _{CC} - 55 | V |
| V _{ON} | Output voltage drop limitation | I _{OUT} = 1 A; T _j = -40 °C...150 °C | | 50 | | mV |

1. To ensure long term reliability under heavy over-load or short circuit conditions, protection and related diagnostic signals must be used together with a proper software strategy. If the device operates under abnormal conditions this software must limit the duration and number of activation cycles.

Table 11. Truth table

| Conditions | Input | Output | Sense |
|----------------------------------|-------|--------|--|
| Normal operation | L | L | 0 |
| | H | H | Nominal |
| Overtemperature | L | L | 0 |
| | H | L | V _{SENSEH} |
| Undervoltage | L | L | 0 |
| | H | L | 0 |
| Overvoltage | L | L | 0 |
| | H | L | 0 |
| Short circuit to GND | L | L | 0 |
| | H | L | (T _j < T _{TSD}) 0 |
| | H | L | (T _j > T _{TSD}) V _{SENSEH} |
| Short circuit to V _{CC} | L | H | 0 |
| | H | H | < Nominal |
| Negative output voltage clamp | L | L | 0 |

Table 12. Electrical transient requirements

| ISO T/R 7637/1 Test pulse | Test level | | | | Delays and impedance |
|---------------------------------|------------------------|------------------------|------------------------|------------------------|----------------------|
| | I | II | III | IV | |
| 1 | - 25V ⁽¹⁾ | - 50V ⁽¹⁾ | - 75V ⁽¹⁾ | - 100V ⁽¹⁾ | 2ms, 10Ω |
| 2 | + 25V ⁽¹⁾ | + 50V ⁽¹⁾ | + 75V ⁽¹⁾ | + 100V ⁽¹⁾ | 0.2ms, 10Ω |
| 3a | - 25V ⁽¹⁾ | - 50V ⁽¹⁾ | - 100V ⁽¹⁾ | - 150V ⁽¹⁾ | 0.1μs, 50Ω |
| 3b | + 25V ⁽¹⁾ | + 50V ⁽¹⁾ | + 75V ⁽¹⁾ | + 100V ⁽¹⁾ | 0.1μs, 50Ω |
| 4 | - 4V ⁽¹⁾ | - 5V ⁽¹⁾ | - 6V ⁽¹⁾ | - 7V ⁽¹⁾ | 100ms, 0.01Ω |
| 5 | + 26.5V ⁽¹⁾ | + 46.5V ⁽²⁾ | + 66.5V ⁽²⁾ | + 86.5V ⁽²⁾ | 400ms, 2Ω |

1. All functions of the device are performed as designed after exposure to disturbance.
2. One or more functions of the device is not performed as designed after exposure and cannot be returned to proper operation without replacing the device.

Figure 4. Switching characteristics

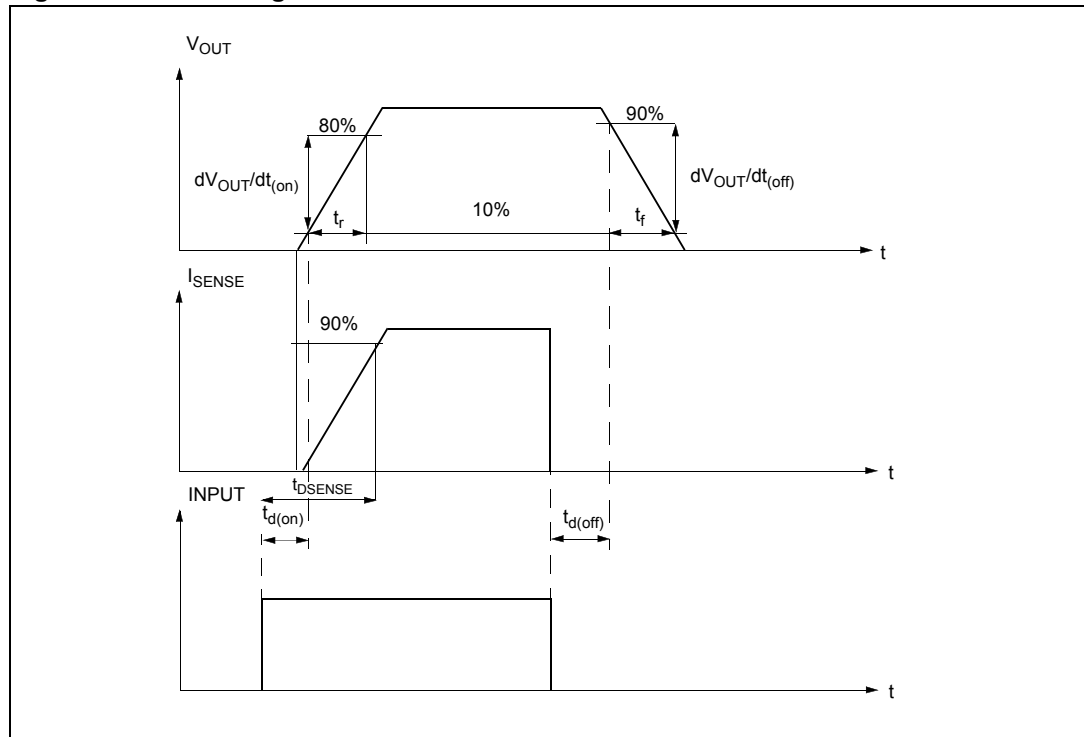


Figure 5. I_{OUT}/I_{SENSE} versus I_{OUT}

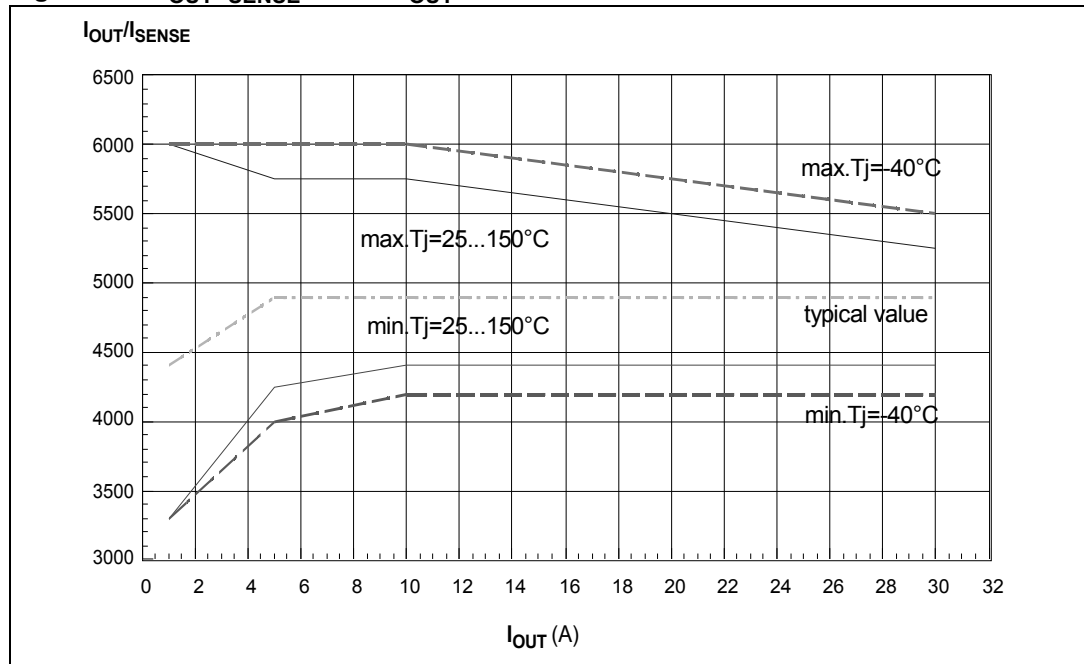
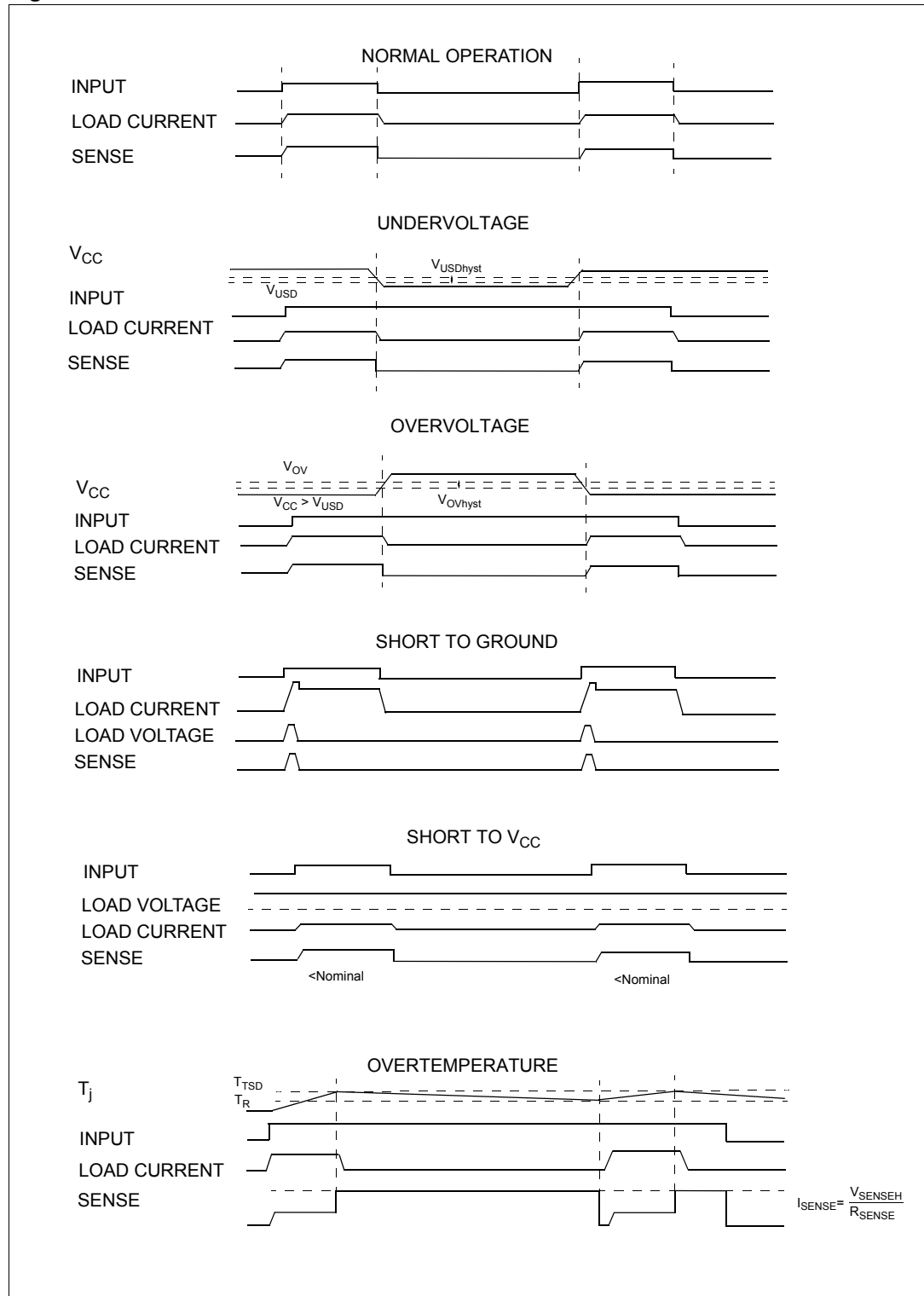


Figure 6. Waveforms



2.4 Electrical characteristics curves

Figure 7. Off-state output current

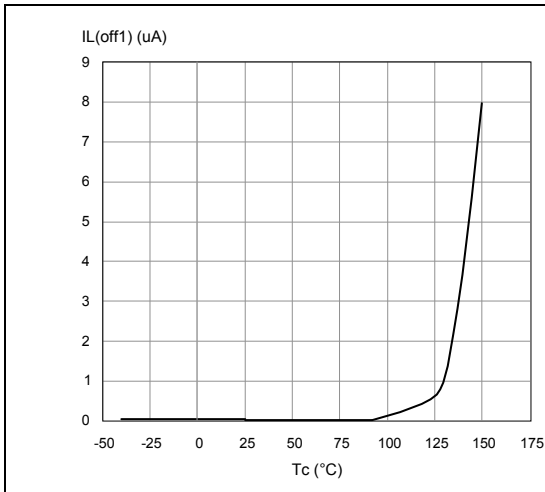


Figure 8. High-level input current

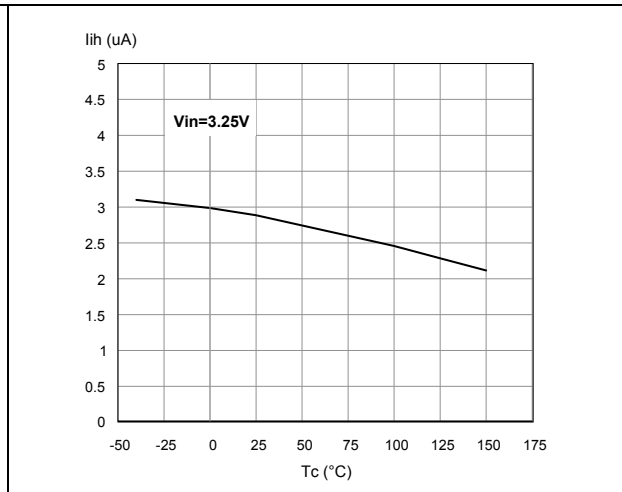


Figure 9. Input clamp voltage

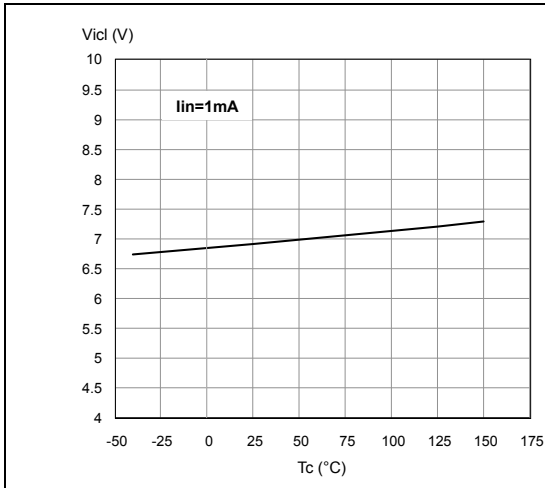


Figure 10. Turn-on voltage slope

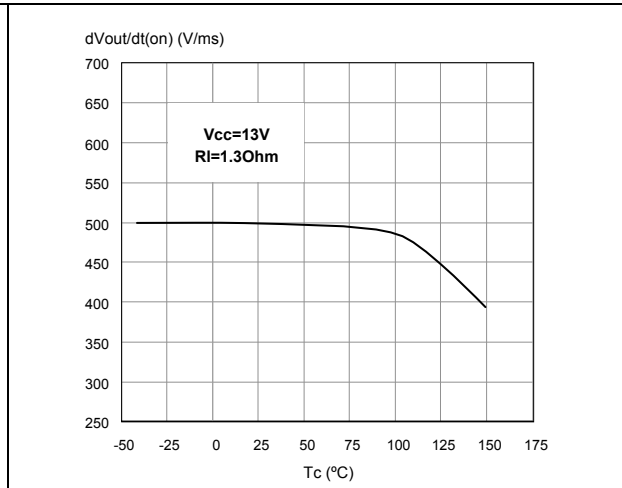


Figure 11. Overvoltage shutdown

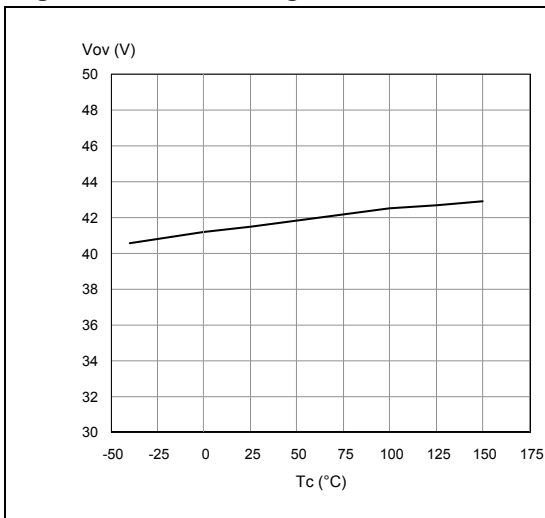


Figure 12. Turn-off voltage slope

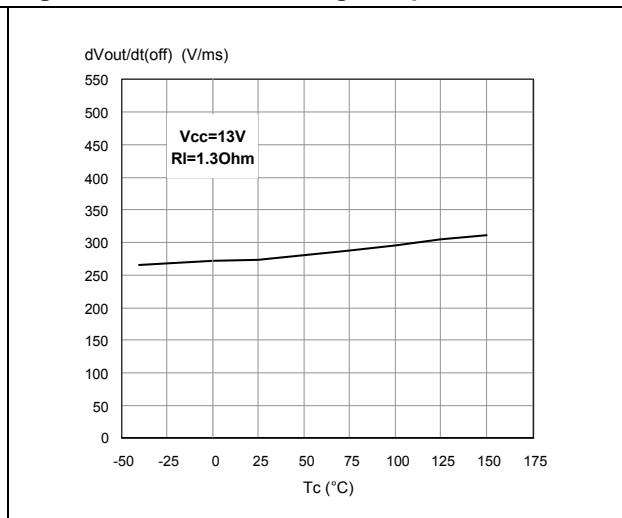


Figure 13. I_{LIM} vs T_{case}

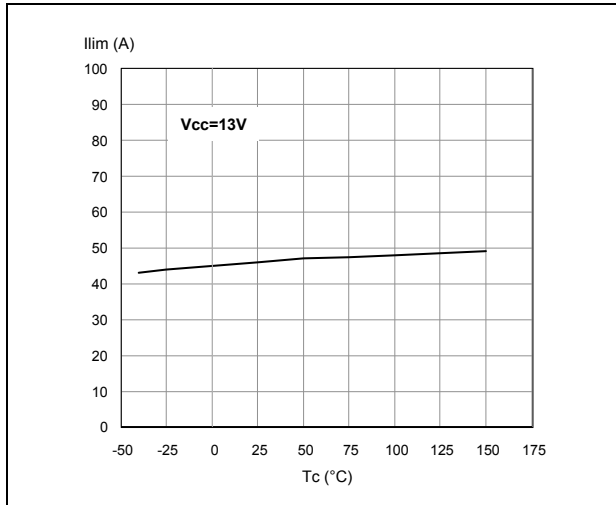


Figure 14. On-state resistance vs V_{CC}

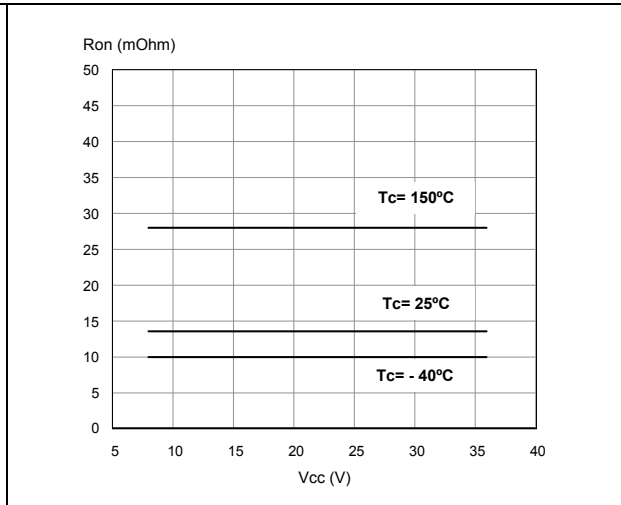


Figure 15. Input high-level

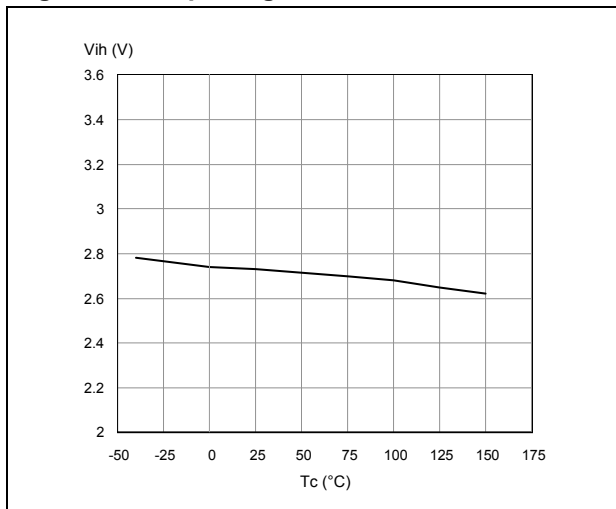


Figure 16. Input hysteresis voltage

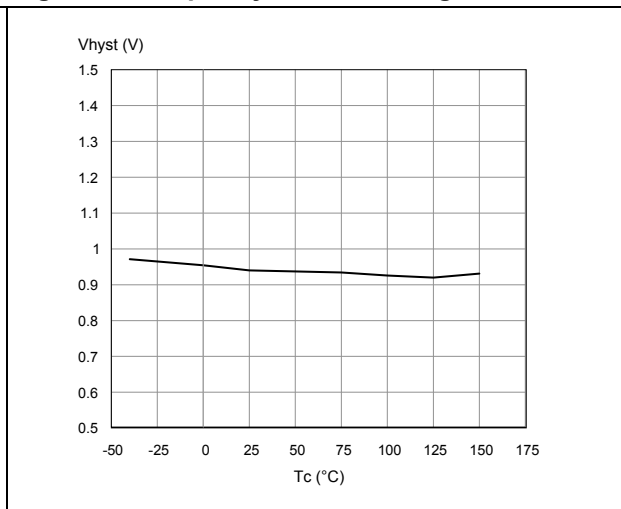


Figure 17. On-state resistance vs T_{case}

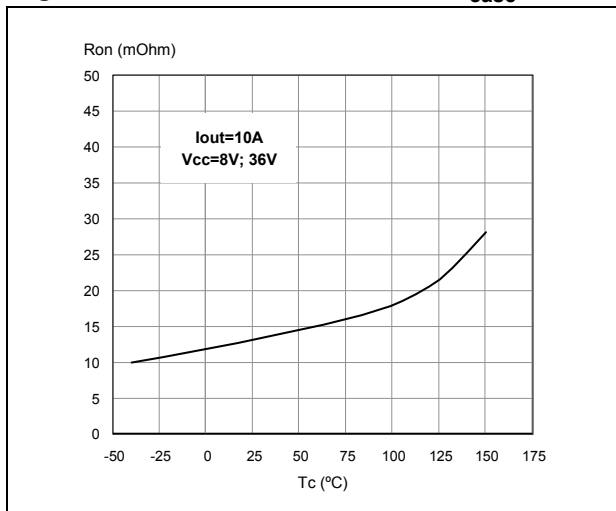
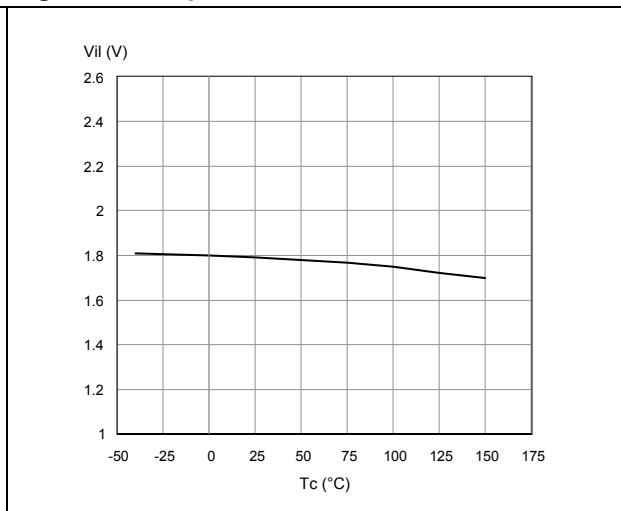
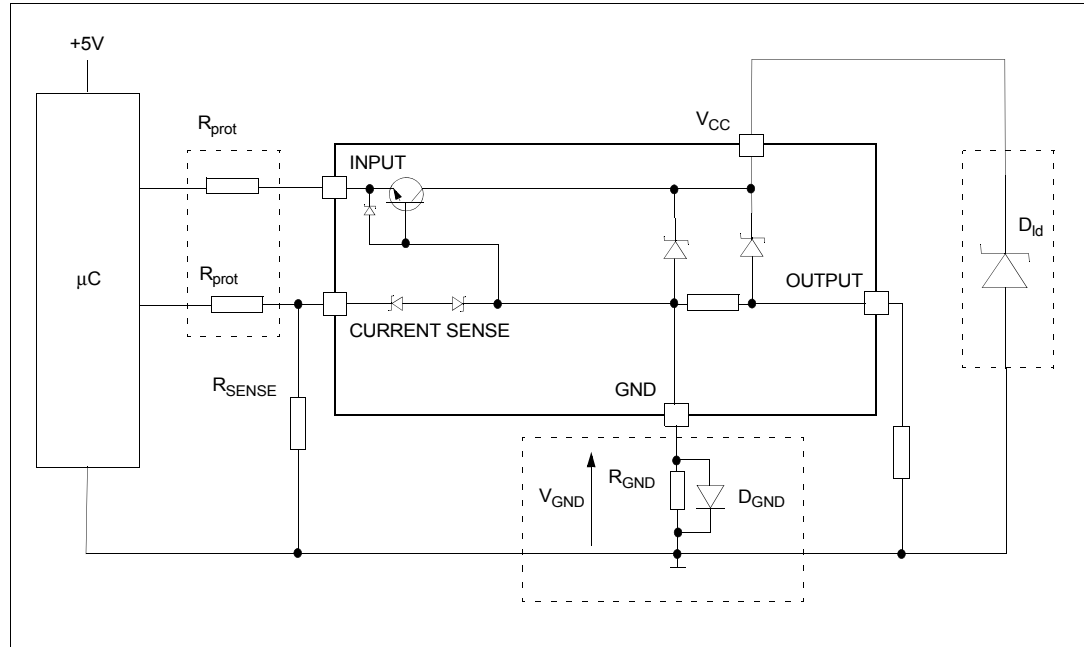


Figure 18. Input low level



3 Application information

Figure 19. Application schematic



3.1 GND protection network against reverse battery

3.1.1 Solution 1: resistor in the ground line (R_{GND} only)

This can be used with any type of load.

The following is an indication on how to dimension the R_{GND} resistor.

1. $R_{GND} \leq 600 \text{ mV} / (I_{S(on)max})$
2. $R_{GND} \geq (-V_{CC}) / (-I_{GND})$

where $-I_{GND}$ is the DC reverse ground pin current and can be found in the absolute maximum rating section of the device datasheet.

Power Dissipation in R_{GND} (when $V_{CC} < 0$: during reverse battery situations) is:

$$P_D = (-V_{CC})^2 / R_{GND}$$

This resistor can be shared amongst several different HSDs. Please note that the value of this resistor should be calculated with formula (1) where $I_{S(on)max}$ becomes the sum of the maximum on-state currents of the different devices.

Please note that if the microprocessor ground is not shared by the device ground then the R_{GND} produces a shift ($I_{S(on)max} * R_{GND}$) in the input thresholds and the status output values. This shift varies depending on how many devices are ON in the case of several high-side drivers sharing the same R_{GND}.

If the calculated power dissipation leads to a large resistor or several devices have to share the same resistor then ST suggests to utilize Solution 2 (see below).

3.1.2 Solution 2: diode (D_{GND}) in the ground line

A resistor ($R_{GND} = 1 \text{ k}\Omega$) should be inserted in parallel to D_{GND} if the device drives an inductive load.

This small signal diode can be safely shared amongst several different HSDs. Also in this case, the presence of the ground network produces a shift ($\approx 600\text{mV}$) in the input threshold and in the status output values if the microprocessor ground is not common to the device ground. This shift not varies if more than one HSD shares the same diode/resistor network.

Series resistor in INPUT and STATUS lines are also required to prevent that, during battery voltage transient, the current exceeds the absolute maximum rating.

Safest configuration for unused INPUT and STATUS pin is to leave them unconnected.

3.2 Load dump protection

D_{ld} is necessary (Voltage Transient Suppressor) if the load dump peak voltage exceeds the V_{CC} max DC rating. The same applies if the device is subject to transients on the V_{CC} line that are greater than the ones shown in the ISO 7637-2: 2004(E) table.

3.3 MCU I/Os protection

If a ground protection network is used and negative transient are present on the V_{CC} line, the control pins are pulled negative. ST suggests to insert a resistor (R_{prot}) in line to prevent the microcontroller I/Os pins to latch-up.

The value of these resistors is a compromise between the leakage current of microcontroller and the current required by the HSD I/Os (Input levels compatibility) with the latch-up limit of microcontroller I/Os.

$$-V_{CCpeak}/I_{latchup} \leq R_{prot} \leq (V_{OH\mu C} - V_{IH} - V_{GND}) / I_{IHmax}$$

Calculation example:

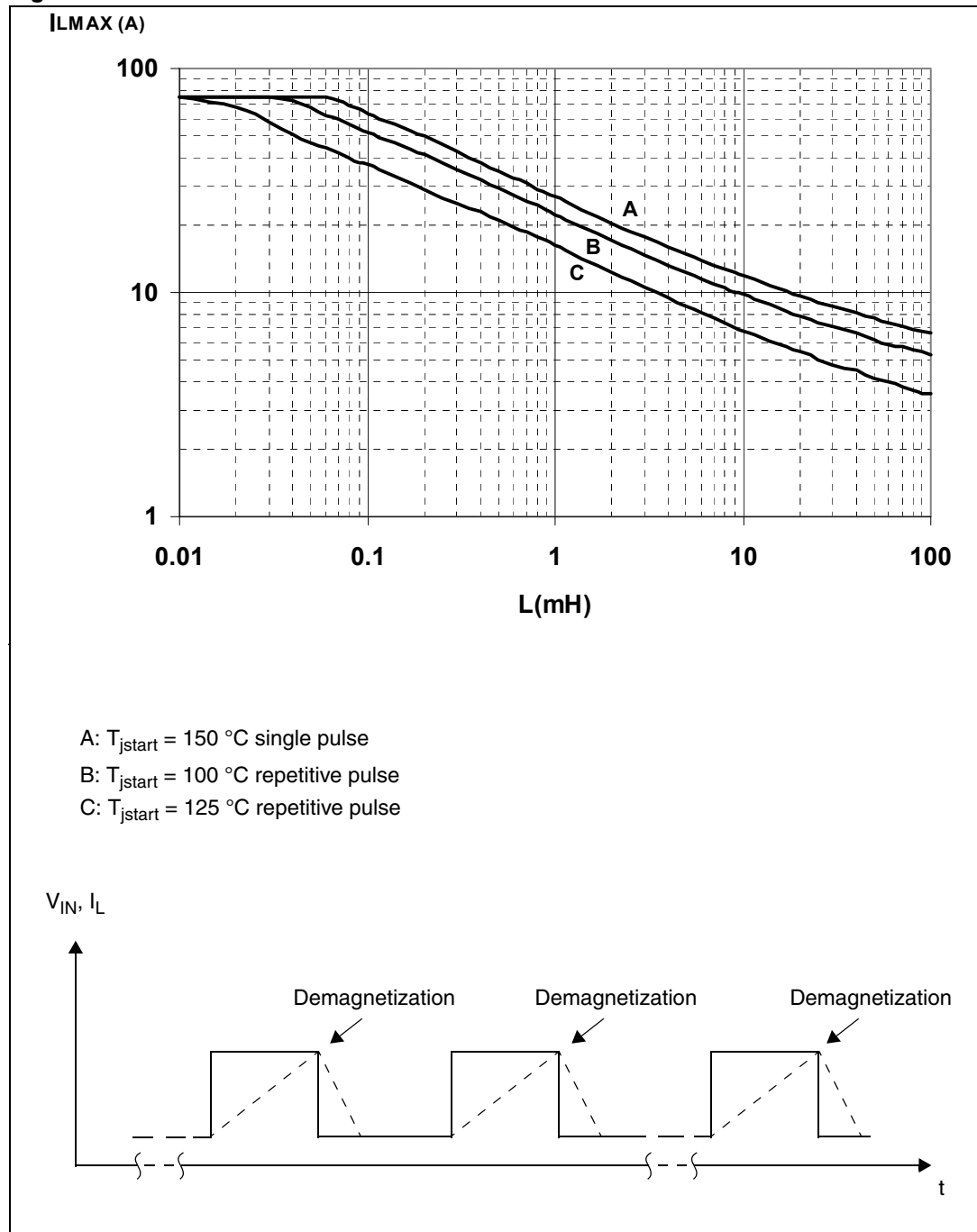
For $V_{CCpeak} = -100 \text{ V}$ and $I_{latchup} \geq 20 \text{ mA}$; $V_{OH\mu C} \geq 4.5 \text{ V}$

$$5 \text{ k}\Omega \leq R_{prot} \leq 65 \text{ k}\Omega$$

Recommended values: $R_{prot} = 10 \text{ k}\Omega$.

3.4 P²PAK maximum demagnetization energy ($V_{CC} = 13.5V$)

Figure 20. P²PAK maximum turn-off current versus inductance⁽¹⁾

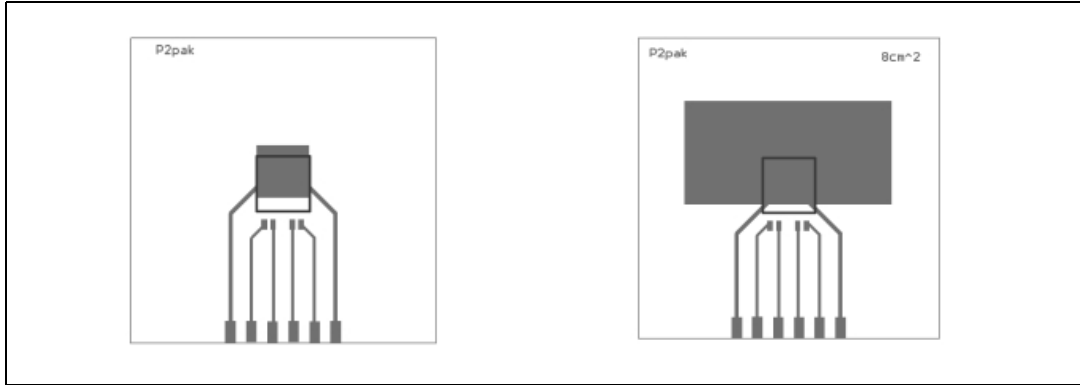


1. Values are generated with $R_L = 0\ \Omega$.
 In case of repetitive pulses, T_{jstart} (at beginning of each demagnetization) of every pulse must not exceed the temperature specified above for curves A and B.

4 Package and PCB thermal data

4.1 P²PAK thermal data

Figure 21. P²PAK PC board⁽¹⁾



1. Layout condition of R_{th} and Z_{th} measurements (PCB FR4 area = 60 mm x 60 mm, PCB thickness = 2 mm, Cu thickness = 35 μm , Copper areas: 0.97 cm^2 , 8 cm^2).

Figure 22. P²PAK $R_{thj-amb}$ vs PCB copper area in open box free air condition

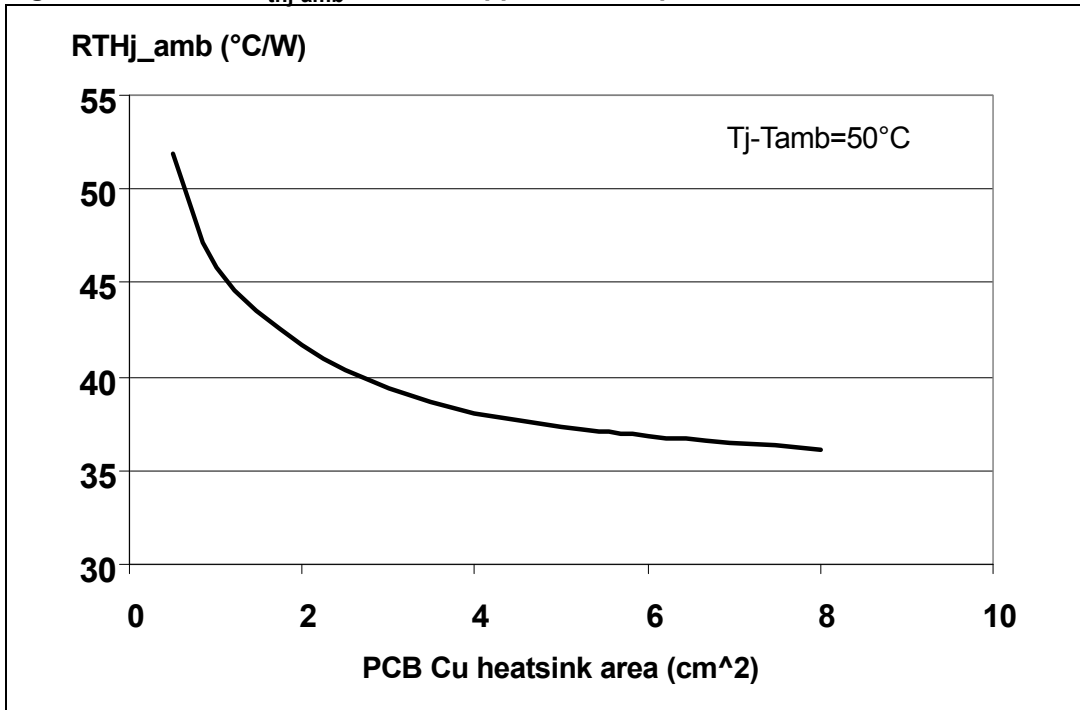
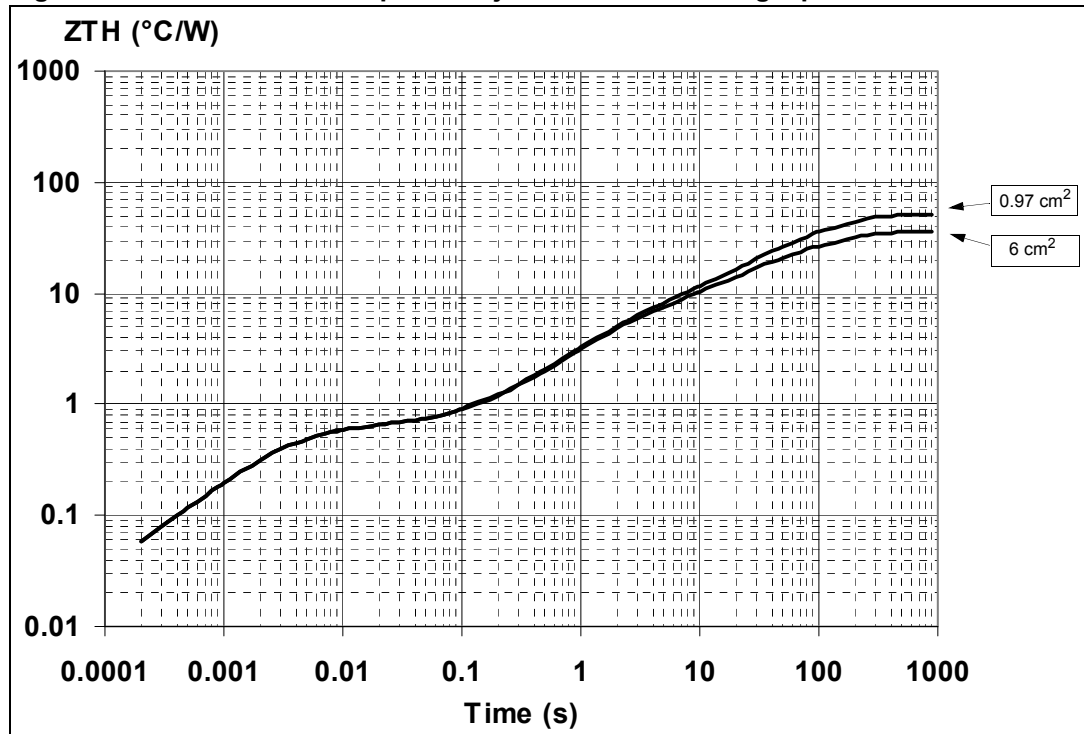


Figure 23. P²PAK thermal impedance junction ambient single pulse



Equation 1: pulse calculation formula

$$Z_{TH\delta} = R_{TH} \cdot \delta + Z_{THtp}(1 - \delta)$$

where $\delta = t_p/T$

Figure 24. Thermal fitting model of a single channel HSD in P²PAK

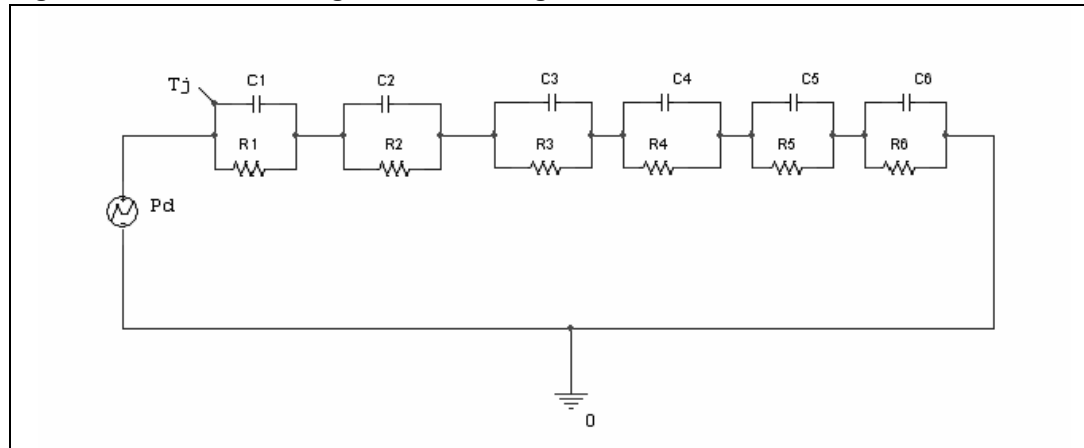


Table 13. P²PAK thermal parameter

| Area/island (cm ²) | 0.97 | 6 |
|--------------------------------|--------|----|
| R1 (°C/W) | 0.02 | |
| R2 (°C/W) | 0.1 | |
| R3 (°C/W) | 0.22 | |
| R4 (°C/W) | 4 | |
| R5 (°C/W) | 9 | |
| R6 (°C/W) | 37 | 22 |
| C1 (W·s/°C) | 0.0015 | |
| C2 (W·s/°C) | 0.007 | |
| C3 (W·s/°C) | 0.015 | |
| C4 (W·s/°C) | 0.4 | |
| C5 (W·s/°C) | 2 | |
| C6 (W·s/°C) | 3 | 5 |

5 Package and packing information

5.1 ECOPACK® packages

In order to meet environmental requirements, ST offers these devices in different grades of ECOPACK® packages, depending on their level of environmental compliance. ECOPACK® specifications, grade definitions and product status are available at: www.st.com. ECOPACK® is an ST trademark.

5.2 P²PAK mechanical data

Figure 25. P²PAK package dimensions

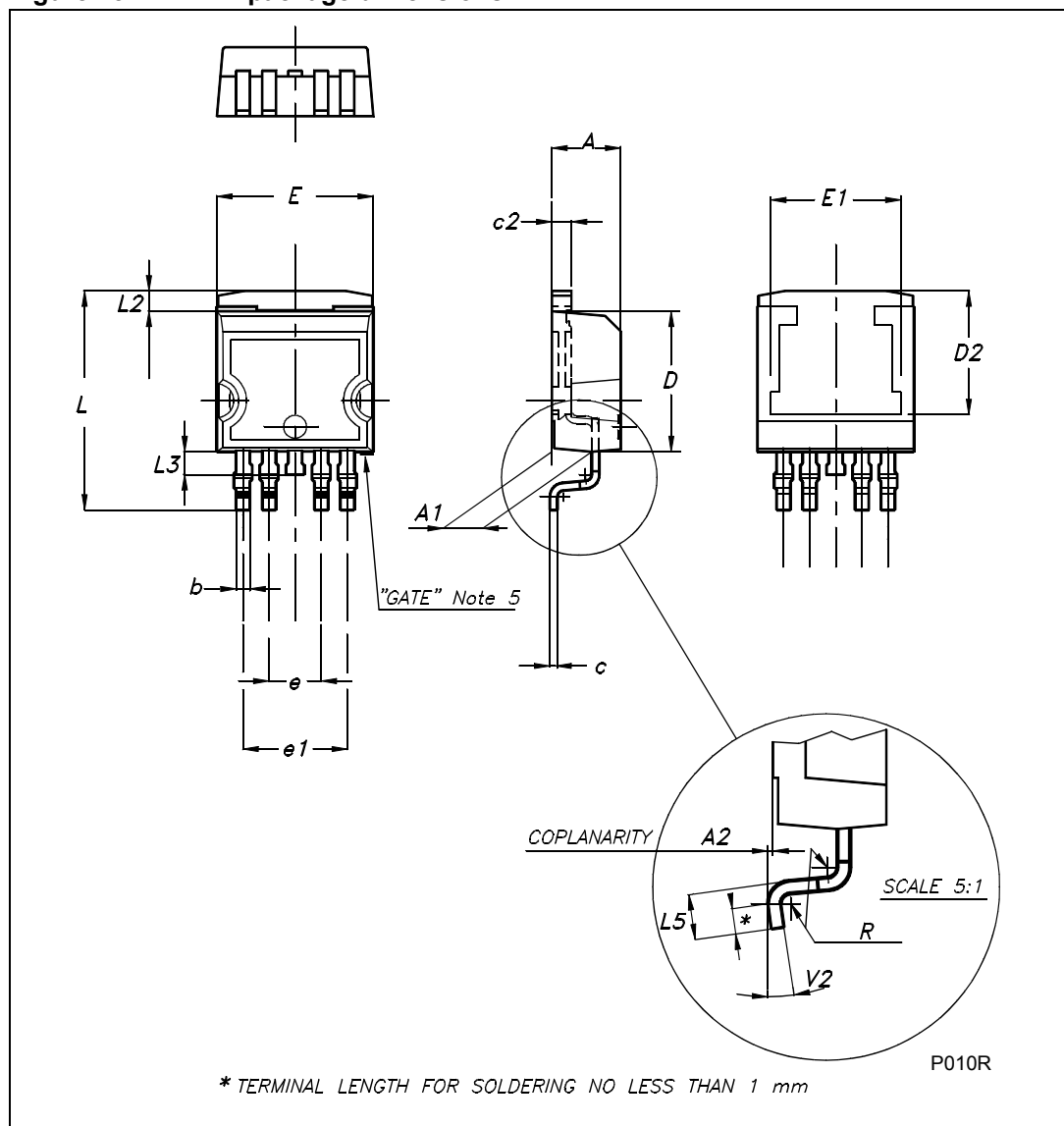


Table 14. P²PAK mechanical data

| Dim. | mm | | |
|----------------|---------------|------|-------|
| | Min. | Typ. | Max. |
| A | 4.30 | | 4.80 |
| A1 | 2.40 | | 2.80 |
| A2 | 0.03 | | 0.23 |
| b | 0.80 | | 1.05 |
| c | 0.45 | | 0.60 |
| c2 | 1.17 | | 1.37 |
| D | 8.95 | | 9.35 |
| D2 | | 8.00 | |
| E | 10.00 | | 10.40 |
| E1 | | 8.50 | |
| e | 3.20 | | 3.60 |
| e1 | 6.60 | | 7.00 |
| L | 13.70 | | 14.50 |
| L2 | 1.25 | | 1.40 |
| L3 | 0.90 | | 1.70 |
| L5 | 1.55 | | 2.40 |
| R | | 0.40 | |
| V2 | 0° | | 8° |
| Package weight | 1.40 Gr (typ) | | |

5.3 P²PAK packing information

Figure 26. P²PAK tube shipment (no suffix)

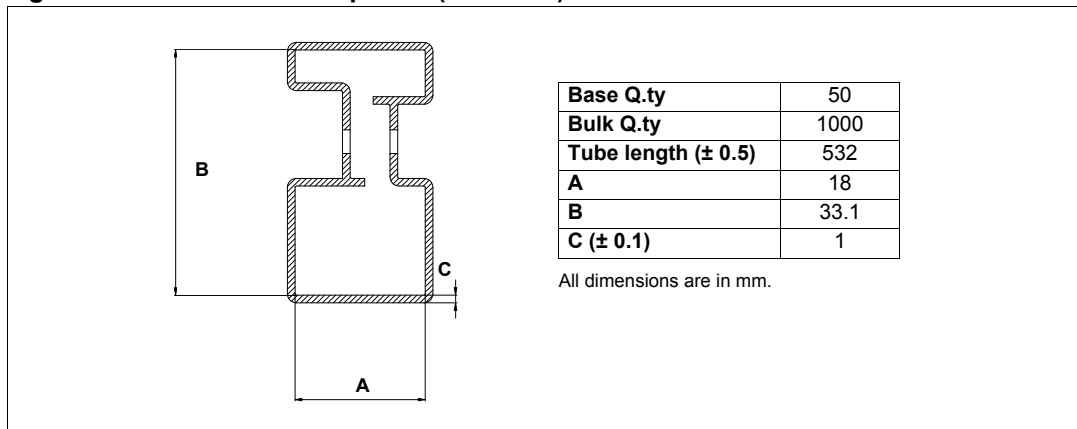
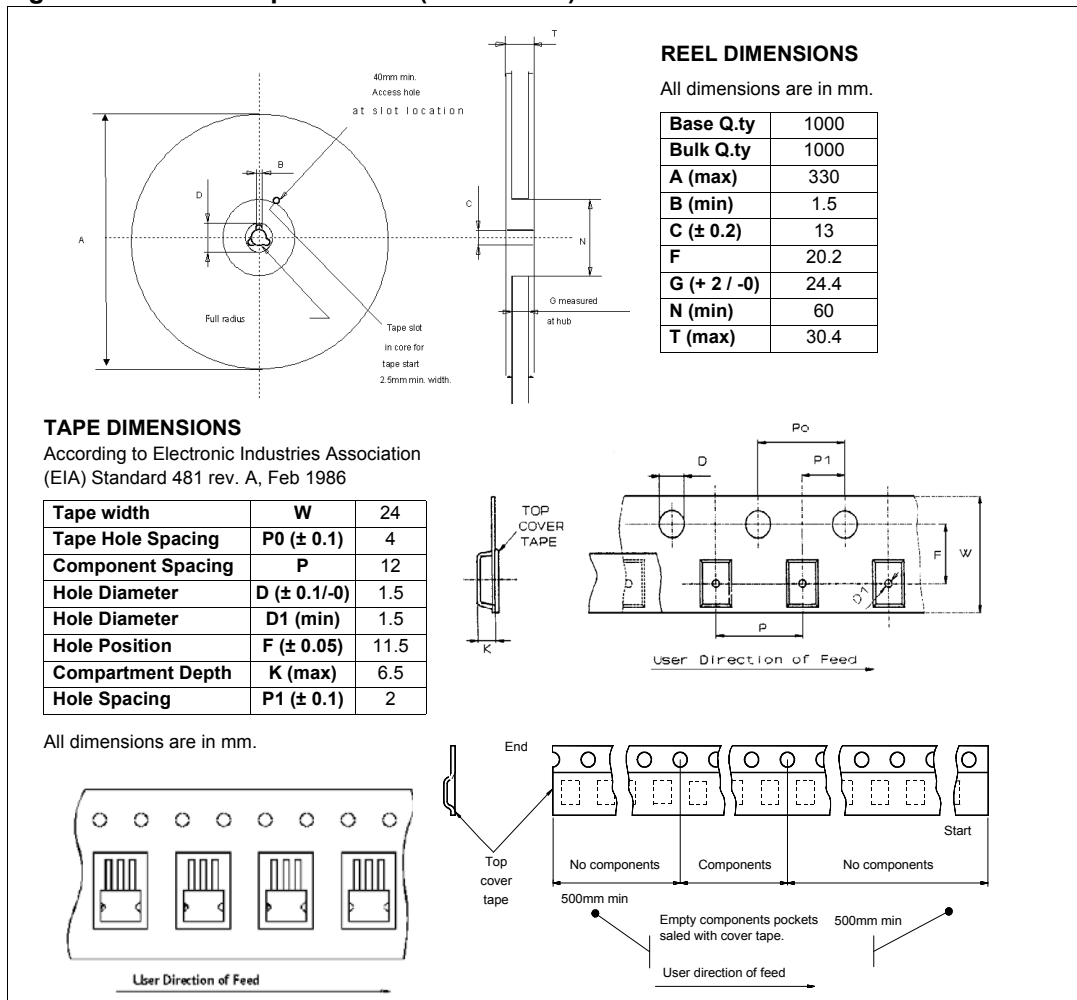


Figure 27. P²PAK tape and reel (suffix “TR”)



6 Revision history

Table 15. Document revision history

| Date | Revision | Changes |
|-------------|----------|--------------------|
| 19-Jul-2010 | 1 | Initial release. |
| 19-Sep-2013 | 2 | Updated Disclaimer |

Please Read Carefully:

Information in this document is provided solely in connection with ST products. STMicroelectronics NV and its subsidiaries ("ST") reserve the right to make changes, corrections, modifications or improvements, to this document, and the products and services described herein at any time, without notice.

All ST products are sold pursuant to ST's terms and conditions of sale.

Purchasers are solely responsible for the choice, selection and use of the ST products and services described herein, and ST assumes no liability whatsoever relating to the choice, selection or use of the ST products and services described herein.

No license, express or implied, by estoppel or otherwise, to any intellectual property rights is granted under this document. If any part of this document refers to any third party products or services it shall not be deemed a license grant by ST for the use of such third party products or services, or any intellectual property contained therein or considered as a warranty covering the use in any manner whatsoever of such third party products or services or any intellectual property contained therein.

UNLESS OTHERWISE SET FORTH IN ST'S TERMS AND CONDITIONS OF SALE ST DISCLAIMS ANY EXPRESS OR IMPLIED WARRANTY WITH RESPECT TO THE USE AND/OR SALE OF ST PRODUCTS INCLUDING WITHOUT LIMITATION IMPLIED WARRANTIES OF MERCHANTABILITY, FITNESS FOR A PARTICULAR PURPOSE (AND THEIR EQUIVALENTS UNDER THE LAWS OF ANY JURISDICTION), OR INFRINGEMENT OF ANY PATENT, COPYRIGHT OR OTHER INTELLECTUAL PROPERTY RIGHT.

ST PRODUCTS ARE NOT DESIGNED OR AUTHORIZED FOR USE IN: (A) SAFETY CRITICAL APPLICATIONS SUCH AS LIFE SUPPORTING, ACTIVE IMPLANTED DEVICES OR SYSTEMS WITH PRODUCT FUNCTIONAL SAFETY REQUIREMENTS; (B) AERONAUTIC APPLICATIONS; (C) AUTOMOTIVE APPLICATIONS OR ENVIRONMENTS, AND/OR (D) AEROSPACE APPLICATIONS OR ENVIRONMENTS. WHERE ST PRODUCTS ARE NOT DESIGNED FOR SUCH USE, THE PURCHASER SHALL USE PRODUCTS AT PURCHASER'S SOLE RISK, EVEN IF ST HAS BEEN INFORMED IN WRITING OF SUCH USAGE, UNLESS A PRODUCT IS EXPRESSLY DESIGNATED BY ST AS BEING INTENDED FOR "AUTOMOTIVE, AUTOMOTIVE SAFETY OR MEDICAL" INDUSTRY DOMAINS ACCORDING TO ST PRODUCT DESIGN SPECIFICATIONS. PRODUCTS FORMALLY ESCC, QML OR JAN QUALIFIED ARE DEEMED SUITABLE FOR USE IN AEROSPACE BY THE CORRESPONDING GOVERNMENTAL AGENCY.

Resale of ST products with provisions different from the statements and/or technical features set forth in this document shall immediately void any warranty granted by ST for the ST product or service described herein and shall not create or extend in any manner whatsoever, any liability of ST.

ST and the ST logo are trademarks or registered trademarks of ST in various countries.

Information in this document supersedes and replaces all information previously supplied.

The ST logo is a registered trademark of STMicroelectronics. All other names are the property of their respective owners.

© 2013 STMicroelectronics - All rights reserved

STMicroelectronics group of companies

Australia - Belgium - Brazil - Canada - China - Czech Republic - Finland - France - Germany - Hong Kong - India - Israel - Italy - Japan - Malaysia - Malta - Morocco - Philippines - Singapore - Spain - Sweden - Switzerland - United Kingdom - United States of America

www.st.com