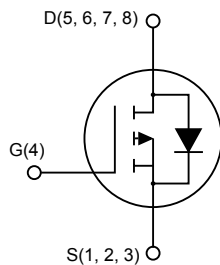
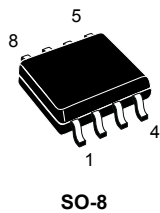


P-channel -30 V, 12 mΩ typ., -9 A, STripFET H6 Power MOSFET in an SO-8 package



AM01475v4

Features

Order code	V_{DS}	$R_{DS(on)}$ max.	I_D
STS9P3LLH6	-30 V	15 mΩ	-9 A

- Very low on-resistance
- Very low gate charge
- High avalanche ruggedness
- Low gate drive power loss

Applications

- Switching applications

Description

This device is a P-channel Power MOSFET developed using the STripFET H6 technology with a new trench gate structure. The resulting Power MOSFET exhibits very low $R_{DS(on)}$ in all packages.



Product status link

[STS9P3LLH6](#)

Product summary

Order code	STS9P3LLH6
Marking	9K3L
Package	SO-8
Packing	Tape and reel

1 Electrical ratings

Table 1. Absolute maximum ratings

Symbol	Parameter	Value	Unit
V_{DS}	Drain-source voltage	-30	V
V_{GS}	Gate-source voltage	± 20	V
$I_D^{(1)}$	Drain current (continuous) at $T_{amb} = 25^\circ\text{C}$	-9	A
	Drain current (continuous) at $T_{amb} = 100^\circ\text{C}$	-5.6	
$I_{DM}^{(2)}$	Drain current (pulsed)	-36	A
$P_{TOT}^{(1)}$	Total power dissipation at $T_{amb} = 25^\circ\text{C}$	2.7	W
T_{stg}	Storage temperature range	-55 to 150	$^\circ\text{C}$
T_J	Operating junction temperature range		$^\circ\text{C}$

1. This value is rated according to R_{thJA} .
2. Pulse width limited by safe operating area.

Table 2. Thermal data

Symbol	Parameter	Value	Unit
$R_{thJA}^{(1)}$	Thermal resistance, junction-to-ambient	47	$^\circ\text{C}/\text{W}$

1. When mounted on 1 inch² FR-4 board, 2 oz. Cu., $t \leq 10$ s.

2 Electrical characteristics

$T_C = 25\text{ °C}$ unless otherwise specified.

Table 3. On/off states

Symbol	Parameter	Test conditions	Min.	Typ.	Max.	Unit
$V_{(BR)DSS}$	Drain-source breakdown voltage	$V_{GS} = 0, I_D = -1\text{ mA}$	-30			V
I_{DSS}	Zero gate voltage drain current	$V_{GS} = 0, V_{DS} = -30\text{ V}$			-1	μA
		$V_{GS} = 0, V_{DS} = -30\text{ V}, T_C = 125\text{ °C}^{(1)}$			-10	μA
I_{GSS}	Gate-body leakage current	$V_{DS} = 0, V_{GS} = \pm 20\text{ V}$			-100	nA
$V_{GS(th)}$	Gate threshold voltage	$V_{DS} = V_{GS}, I_D = -250\text{ }\mu\text{A}$	-1		-2	V
$R_{DS(on)}$	Static drain-source on-resistance	$V_{GS} = -10\text{ V}, I_D = -4.5\text{ A}$		12	15	$\text{m}\Omega$
		$V_{GS} = -4.5\text{ V}, I_D = -4.5\text{ A}$		18.0	22.5	$\text{m}\Omega$

1. Defined by design, not subject to production test.

Table 4. Dynamic

Symbol	Parameter	Test conditions	Min.	Typ.	Max.	Unit
C_{iss}	Input capacitance	$V_{DS} = -25\text{ V}, f = 1\text{ MHz}, V_{GS} = 0\text{ V}$	-	2615	-	pF
C_{oss}	Output capacitance		-	340	-	pF
C_{rSS}	Reverse transfer capacitance		-	235	-	pF
Q_g	Total gate charge	$V_{DD} = -15\text{ V}, I_D = -9\text{ A}, V_{GS} = -4.5\text{ V}$ (see Figure 13. Gate charge test circuit)	-	24	-	nC
Q_{gs}	Gate-source charge		-	9	-	nC
Q_{gd}	Gate-drain charge		-	8	-	nC

Table 5. Switching times

Symbol	Parameter	Test conditions	Min.	Typ.	Max.	Unit
$t_{d(on)}$	Turn-on delay time	$V_{DD} = -15\text{ V}, I_D = -4.5\text{ A},$ $R_G = 4.7\text{ }\Omega, V_{GS} = -10\text{ V}$ (see Figure 12. Switching times test circuit for resistive load)	-	13.2	-	ns
t_r	Rise time		-	93	-	ns
$t_{d(off)}$	Turn-off delay time		-	50	-	ns
t_f	Fall time		-	18	-	ns

Table 6. Source drain diode

Symbol	Parameter	Test conditions	Min.	Typ.	Max.	Unit
$V_{SD}^{(1)}$	Forward on voltage	$I_{SD} = -4.5\text{ A}, V_{GS} = 0$	-		-1.1	V
t_{rr}	Reverse recovery time	$V_{DD} = -24\text{ V}, T_J = 150\text{ °C},$ $I_{SD} = -4.5\text{ A}, di/dt = 100\text{ A}/\mu\text{s}$ (see Figure 14. Test circuit for inductive load switching and diode recovery times)	-	20		ns
Q_{rr}	Reverse recovery charge		-	16		nC
I_{RRM}	Reverse recovery current		-	-1.6		A

1. Pulsed: Pulse duration = 300 μs , duty cycle 1.5%.

2.1 Electrical characteristics (curves)

Figure 1. Safe operating area

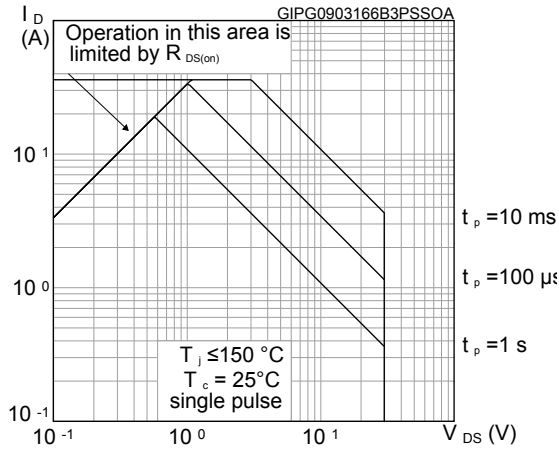


Figure 2. Thermal impedance

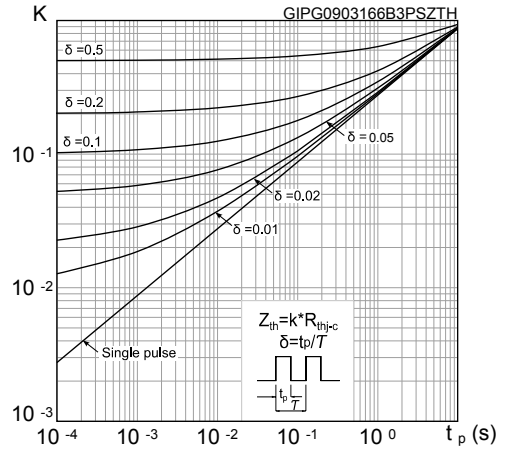


Figure 3. Output characteristics

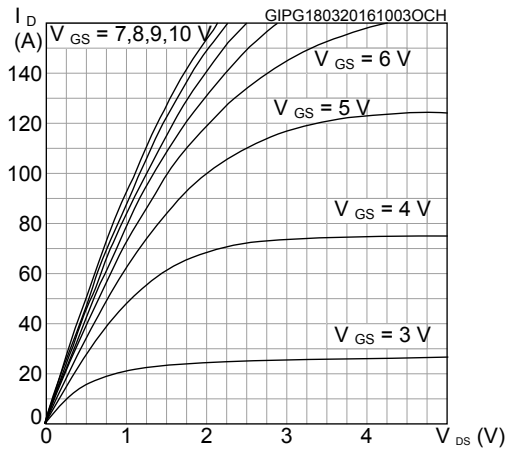


Figure 4. Transfer characteristics

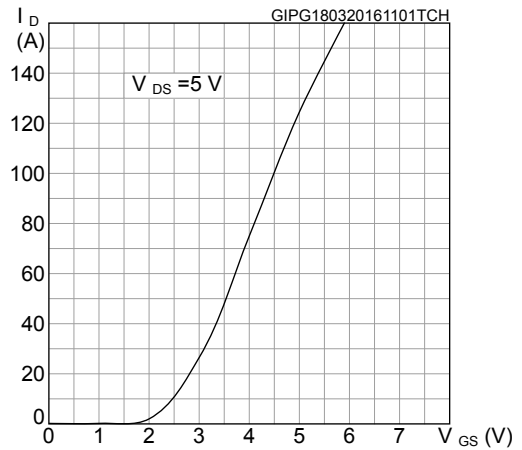


Figure 5. Gate charge vs gate-source voltage

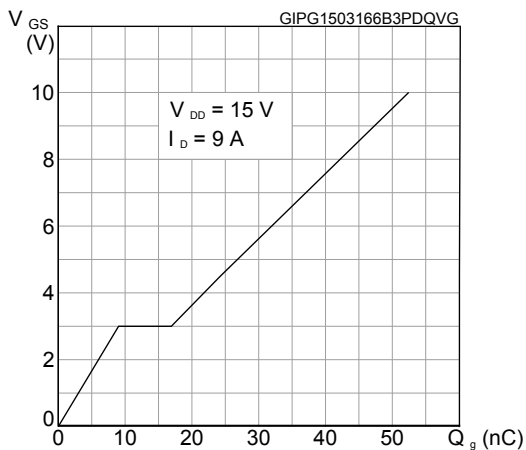


Figure 6. Static drain-source on-resistance

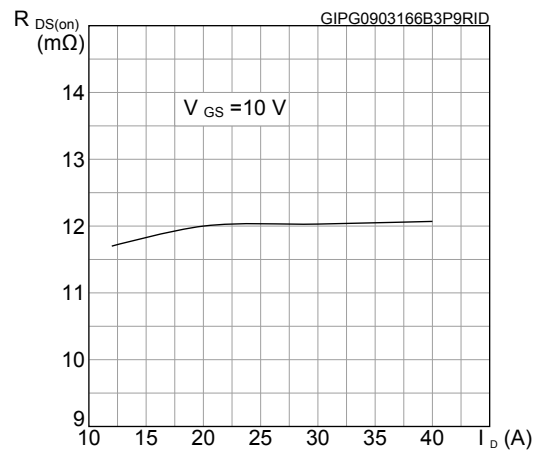


Figure 7. Capacitance variations

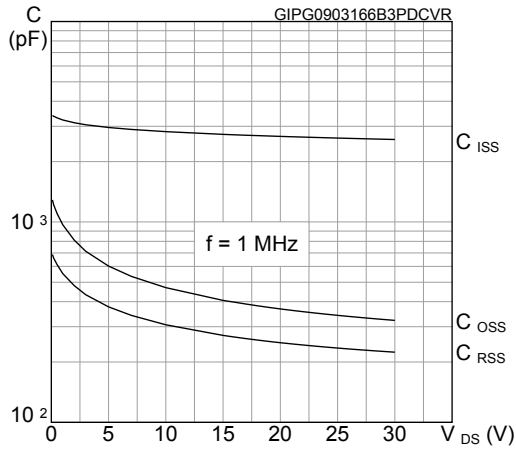


Figure 8. Normalized gate threshold voltage vs temperature

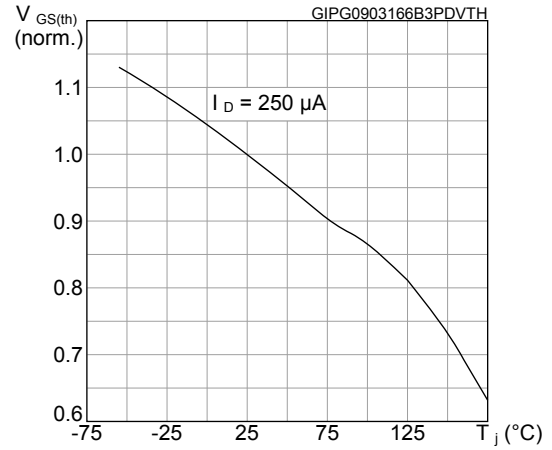


Figure 9. Normalized on-resistance vs temperature

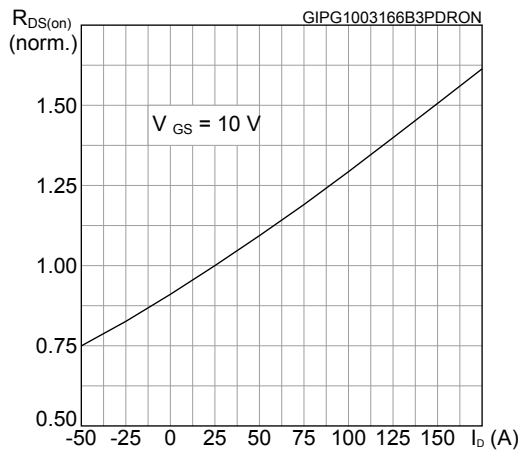


Figure 10. Normalized $V_{(BR)DSS}$ vs temperature

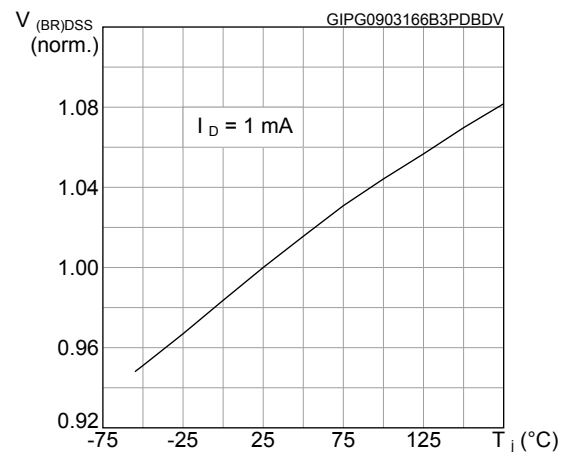
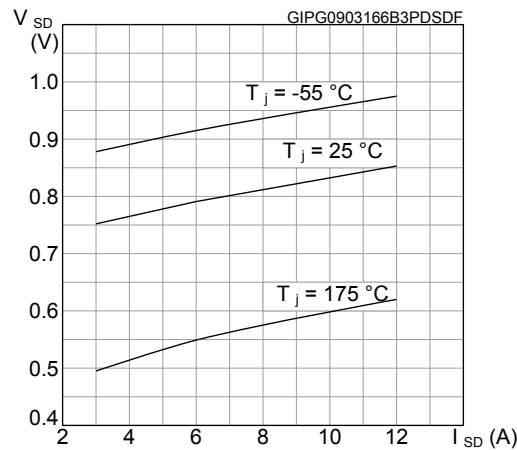


Figure 11. Source-drain diode forward characteristics



Note: For the P-channel Power MOSFET, current and voltage polarities are reversed.

3 Test circuits

Figure 12. Switching times test circuit for resistive load

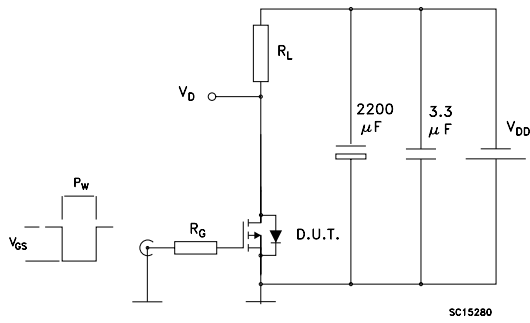


Figure 13. Gate charge test circuit

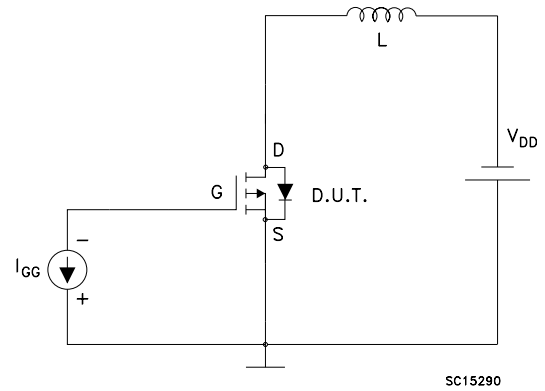
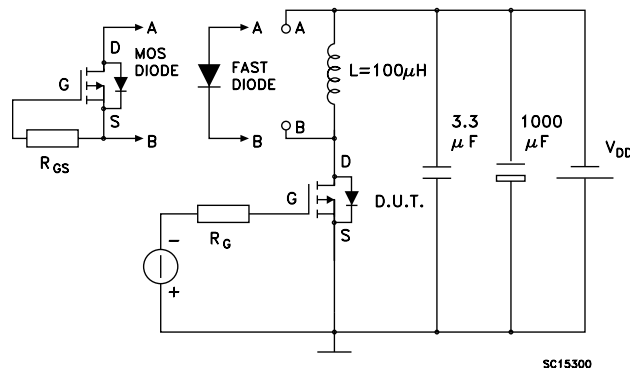


Figure 14. Test circuit for inductive load switching and diode recovery times

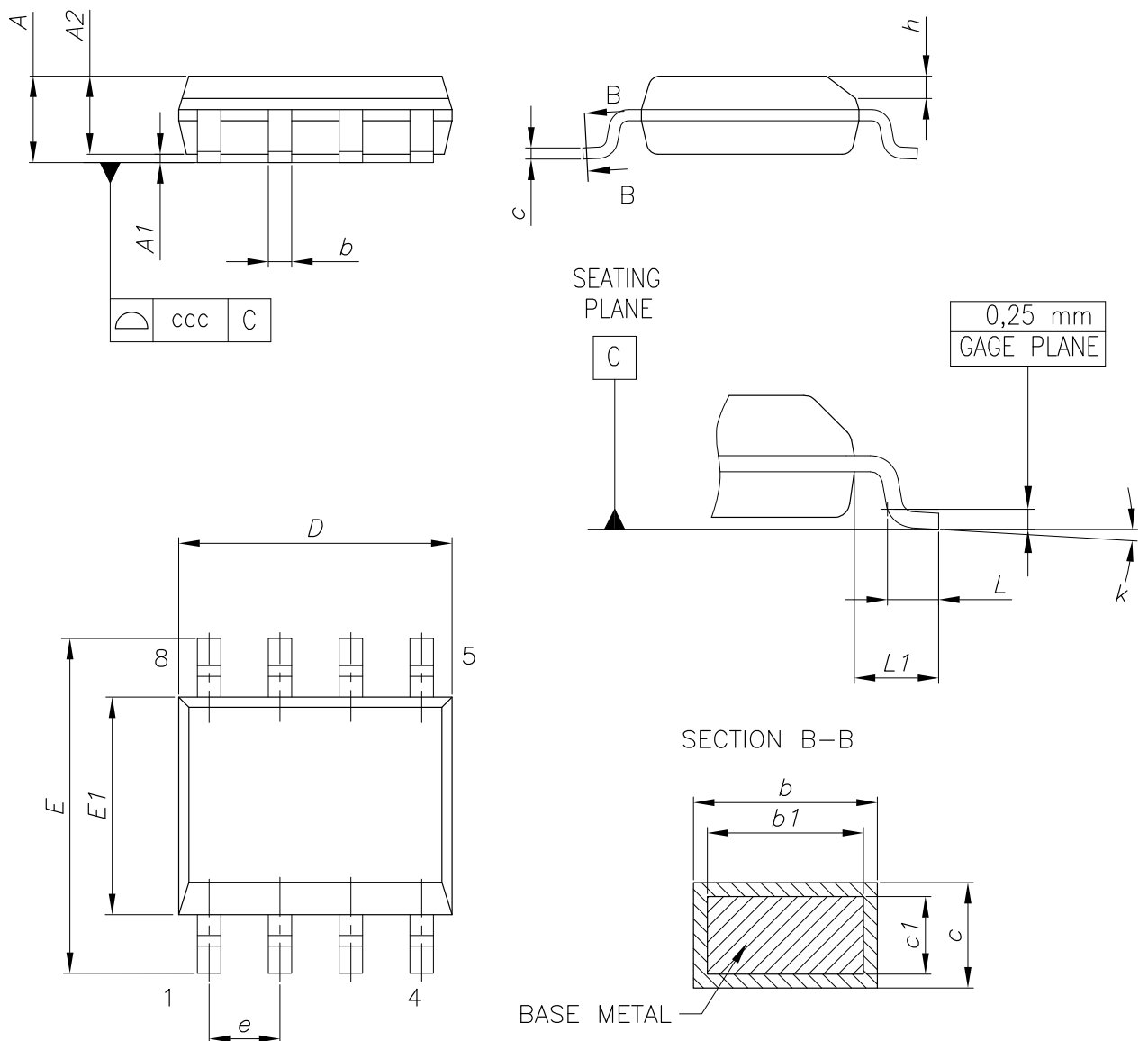


4 Package information

In order to meet environmental requirements, ST offers these devices in different grades of **ECOPACK** packages, depending on their level of environmental compliance. ECOPACK specifications, grade definitions and product status are available at: www.st.com. ECOPACK is an ST trademark.

4.1 SO-8 package information

Figure 15. SO-8 package outline

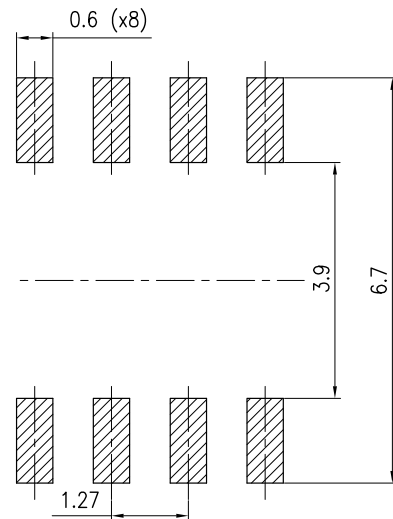


0016023_So-807_fig2_Rev10

Table 7. SO-8 mechanical data

Dim.	mm		
	Min.	Typ.	Max.
A			1.75
A1	0.10		0.25
A2	1.25		
b	0.31		0.51
b1	0.28		0.48
c	0.10		0.25
c1	0.10		0.23
D	4.80	4.90	5.00
E	5.80	6.00	6.20
E1	3.80	3.90	4.00
e		1.27	
h	0.25		0.50
L	0.40		1.27
L1		1.04	
L2		0.25	
k	0°		8°
ccc			0.10

Figure 16. SO-8 recommended footprint (dimensions are in mm)



0016023_So-807_footprint_Rev10

4.2 SO-8 packing information

Figure 17. SO-8 tape and reel dimensions

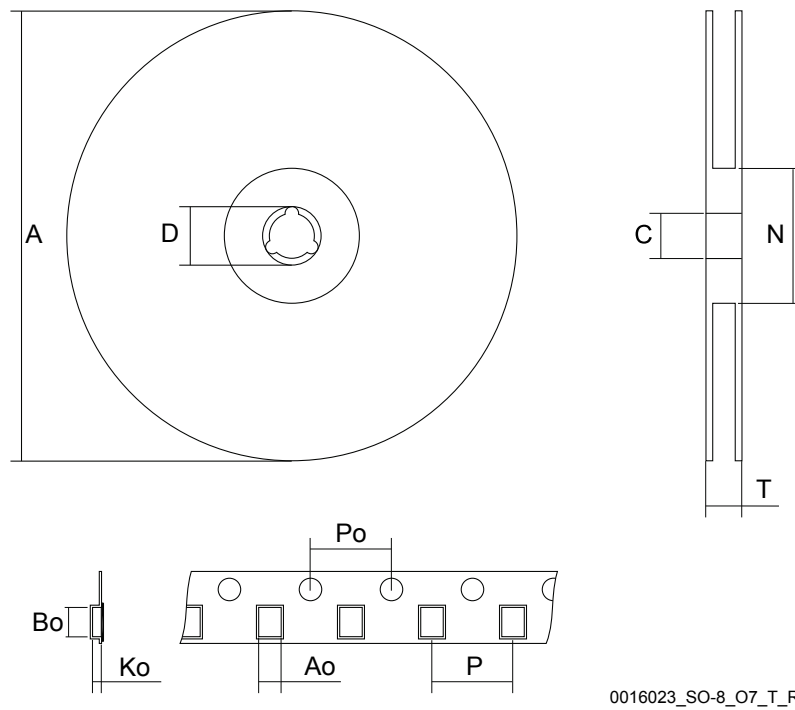


Figure 18. Tape orientation

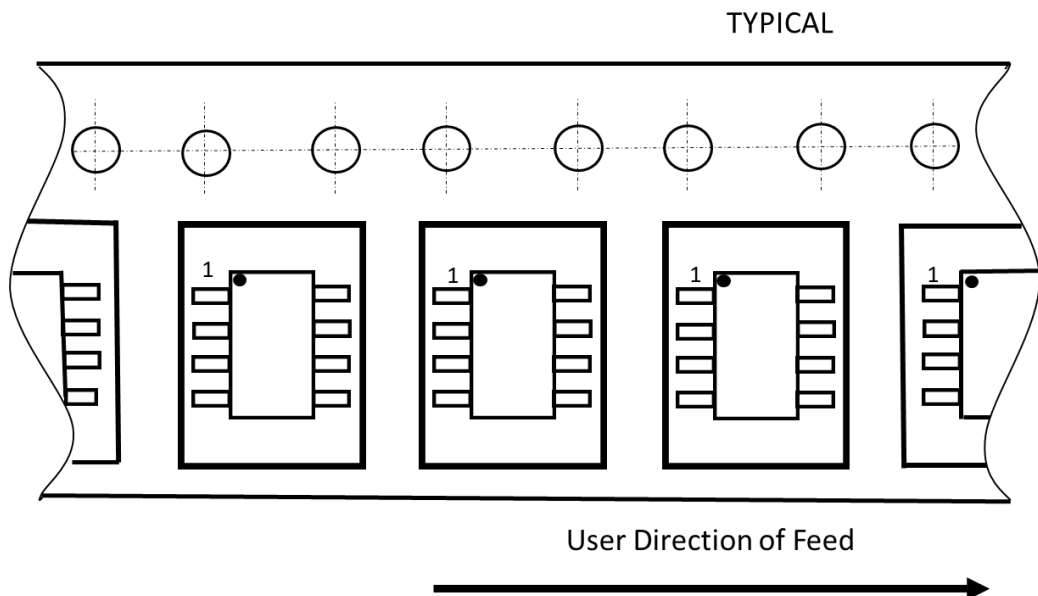


Table 8. SO-8 tape and reel mechanical data

Dim.	mm		
	Min.	Typ.	Max.
A			330
C	12.8		13.2
D	20.2		
N	60		
T			22.4
Ao	6.5	-	6.7
Bo	5.4		5.6
Ko	2.0		2.2
Po	3.9		4.1
P	7.9		8.1

Revision history

Table 9. Document revision history

Date	Revision	Changes
22-Jan-2014	1	Initial release.
15-Mar-2016	2	Modified: title and $R_{DS(on)}$ max value in cover page. Modified: <i>Table 4: "On/off states"</i> , <i>Table 5: "Dynamic"</i> , <i>Table 6: "Switching times"</i> and <i>Table 7: "Source drain diode"</i> . Minor text changes.
17-Feb-2021	3	Updated <i>Internal schematic</i> . Updated <i>Section 4.2 SO-8 packing information</i> . Minor text changes.

Contents

1	Electrical ratings	2
2	Electrical characteristics	3
2.1	Electrical characteristics (curves)	4
3	Test circuits	6
4	Package information	7
4.1	SO-8 package information	7
4.2	SO-8 packing information	9
	Revision history	11

IMPORTANT NOTICE – PLEASE READ CAREFULLY

STMicroelectronics NV and its subsidiaries (“ST”) reserve the right to make changes, corrections, enhancements, modifications, and improvements to ST products and/or to this document at any time without notice. Purchasers should obtain the latest relevant information on ST products before placing orders. ST products are sold pursuant to ST’s terms and conditions of sale in place at the time of order acknowledgement.

Purchasers are solely responsible for the choice, selection, and use of ST products and ST assumes no liability for application assistance or the design of Purchasers’ products.

No license, express or implied, to any intellectual property right is granted by ST herein.

Resale of ST products with provisions different from the information set forth herein shall void any warranty granted by ST for such product.

ST and the ST logo are trademarks of ST. For additional information about ST trademarks, please refer to www.st.com/trademarks. All other product or service names are the property of their respective owners.

Information in this document supersedes and replaces information previously supplied in any prior versions of this document.

© 2021 STMicroelectronics – All rights reserved