

1.225V micropower shunt voltage reference

Features

- 1.225V typical output voltage
- Ultra low operating current: 45 μ A maximum at 25°C
- High precision @ 25°C
 - +/- 2% (standard version)
 - +/- 1% (A grade)
 - +/- 0.5% (B grade)
- High stability when used with capacitive loads
- Industrial temperature range: -40°C to +85°C
- 120ppm/°C maximum temperature coefficient

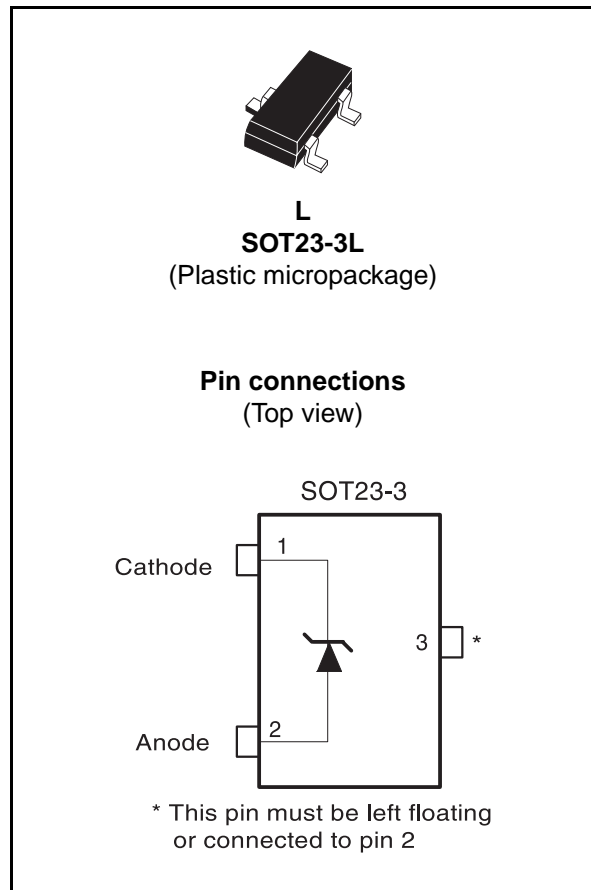
Applications

- Computers
- Instrumentation
- Battery chargers
- Switch mode power supply
- Battery operated equipment

Description

The TS821 is a low power shunt voltage reference providing a stable 1.225V output voltage over the industrial temperature range (-40°C to +85°C). Available in SOT23-3 surface mount package, it can be designed in applications where space saving is critical.

The low operating current is a key advantage for power restricted designs. In addition, the TS821 is very stable and can be used in a broad range of application conditions.



1 Absolute maximum ratings and operating conditions

Table 1. Absolute maximum ratings (AMR)

| Symbol | Parameter | Value | Unit |
|------------|--|-------------|------|
| I_k | Reverse breakdown current | 20 | mA |
| I_f | Forward current | 10 | mA |
| P_d | Power dissipation ⁽¹⁾ SOT23-3 | 360 | mW |
| T_{stg} | Storage temperature | -65 to +150 | °C |
| ESD | Human body model (HBM) ⁽²⁾ | 2 | kV |
| | Machine model (MM) ⁽³⁾ | 200 | V |
| T_{lead} | Lead temperature (soldering, 10 seconds) | 260 | °C |

- P_d is calculated with $T_{amb} = 25^\circ\text{C}$ and $T_j = 150^\circ\text{C}$ and $R_{thja} = 340^\circ\text{C/W}$ for the SOT23-3L package.
- Human body model: 100pF discharged through a 1.5k Ω resistor between two pins of the device, done for all couples of pin combinations with other pins floating.
- Machine model: a 200pF cap is charged to the specified voltage, then discharged directly between two pins of the device with no external series resistor (internal resistor < 5 Ω), done for all couples of pin combinations with other pins floating.

Table 2. Operating conditions

| Symbol | Parameter | Value | Unit |
|------------|--------------------------------------|------------|---------------|
| I_{min} | Minimum operating current | 45 | μA |
| I_{max} | Maximum operating current | 12 | mA |
| T_{oper} | Operating free air temperature range | -40 to +85 | °C |

2 Electrical characteristics

Table 3. TS821 (2% precision) $T_{amb} = 25^{\circ}\text{C}$ ⁽¹⁾ (unless otherwise specified)

| Symbol | Parameter | Test conditions | Min. | Typ. | Max. | Unit |
|---------------------------|---|---|------------|-------|------------|-------------------------|
| V_k | Reverse breakdown voltage | $I_k = 100\mu\text{A}$ | 1.200 | 1.225 | 1.250 | V |
| | Reverse breakdown voltage tolerance | $I_k = 100\mu\text{A}$ $-40^{\circ}\text{C} < T_{amb} < +85^{\circ}\text{C}$ | -25 +34 | | +25 +34 | mV |
| I_{k-min} | Minimum operating current | $T_{amb} = 25^{\circ}\text{C}$ | | 40 | 45 | μA |
| | | $-40^{\circ}\text{C} < T_{amb} < +85^{\circ}\text{C}$ | | | 50 | |
| $\Delta V_{ref}/\Delta T$ | Average temperature coefficient | $I_k = 100\mu\text{A}$ | | | 120 | ppm/ $^{\circ}\text{C}$ |
| $\Delta V_k/\Delta I_k$ | Reverse breakdown voltage change with operating current range | $I_{k-min} < I_k < 1\text{mA}$ $-40^{\circ}\text{C} < T_{amb} < +85^{\circ}\text{C}$ | | 0.3 | 0.7 1 | mV |
| | | $1\text{mA} < I_k < 12\text{mA}$ $-40^{\circ}\text{C} < T_{amb} < +85^{\circ}\text{C}$ | | 2.5 | 8 10 | |
| R_{ka} | Static impedance | $\Delta I_k = 45\mu\text{A}$ to 1mA | | 0.25 | 0.5 | Ω |
| K_{vh} | Long term stability | $I_k = 100\mu\text{A}$, $t = 1000\text{hrs}$ | | 120 | | ppm |
| En | Wide band noise | $I_k = 100\mu\text{A}$, $10\text{Hz} < f < 10\text{kHz}$ | | 200 | | nV/ $\sqrt{\text{Hz}}$ |

1. Limits are 100% production tested at 25°C. Behavior at the temperature range limits is guaranteed through correlation and by design.

Table 4. TS821A (1% precision) $T_{amb} = 25^{\circ}\text{C}$ ⁽¹⁾ (unless otherwise specified)

| Symbol | Parameter | Test conditions | Min. | Typ. | Max. | Unit |
|---------------------------|---|---|------------|-------|------------|-------------------------|
| V_k | Reverse breakdown voltage | $I_k = 100\mu\text{A}$ | 1.213 | 1.225 | 1.237 | V |
| | Reverse breakdown voltage tolerance | $I_k = 100\mu\text{A}$ $-40^{\circ}\text{C} < T_{amb} < +85^{\circ}\text{C}$ | -12 -22 | | +12 +22 | mV |
| I_{k-min} | Minimum operating current | $T_{amb} = 25^{\circ}\text{C}$ | | 40 | 45 | μA |
| | | $-40^{\circ}\text{C} < T_{amb} < +85^{\circ}\text{C}$ | | | 50 | |
| $\Delta V_{ref}/\Delta T$ | Average temperature coefficient | $I_k = 100\mu\text{A}$ | | | 120 | ppm/ $^{\circ}\text{C}$ |
| $\Delta V_k/\Delta I_k$ | Reverse breakdown voltage change with operating current range | $I_{k-min} < I_k < 1\text{mA}$ $-40^{\circ}\text{C} < T_{amb} < +85^{\circ}\text{C}$ | | 0.3 | 0.7 1 | mV |
| | | $1\text{mA} < I_k < 12\text{mA}$ $-40^{\circ}\text{C} < T_{amb} < +85^{\circ}\text{C}$ | | 2.5 | 5 7 | |
| R_{ka} | Static impedance | $\Delta I_k = 45\mu\text{A}$ to 1mA | | 0.25 | 0.5 | Ω |
| K_{vh} | Long term stability | $I_k = 100\mu\text{A}$, $t = 1000\text{hrs}$ | | 120 | | ppm |
| En | Wide band noise | $I_k = 100\mu\text{A}$, $10\text{Hz} < f < 10\text{kHz}$ | | 200 | | nV/ $\sqrt{\text{Hz}}$ |

1. Limits are 100% production tested at 25°C. Behavior at the temperature range limits is guaranteed through correlation and by design.

Table 5. TS821B (0.5% precision) $T_{amb} = 25^{\circ}\text{C}^{(1)}$ (unless otherwise specified)

| Symbol | Parameter | Test conditions | Min. | Typ. | Max. | Unit |
|---------------------------|---|---|-----------|-------|-----------|-------------------------|
| V_k | Reverse breakdown voltage | $I_k = 100\mu\text{A}$ | 1.219 | 1.225 | 1.231 | V |
| | Reverse breakdown voltage tolerance | $I_k = 100\mu\text{A}$ $-40^{\circ}\text{C} < T_{amb} < +85^{\circ}\text{C}$ | -6 -16 | | +6 +16 | mV |
| I_{k-min} | Minimum operating current | $T_{amb} = 25^{\circ}\text{C}$ | | 40 | 45 | μA |
| | | $-40^{\circ}\text{C} < T_{amb} < +85^{\circ}\text{C}$ | | | 50 | |
| $\Delta V_{ref}/\Delta T$ | Average temperature coefficient | $I_k = 100\mu\text{A}$ | | | 120 | ppm/ $^{\circ}\text{C}$ |
| $\Delta V_k/\Delta I_k$ | Reverse breakdown voltage change with operating current range | $I_{k-min} < I_k < 1\text{mA}$ $-40^{\circ}\text{C} < T_{amb} < +85^{\circ}\text{C}$ | | 0.3 | 0.7 1 | mV |
| | | $1\text{mA} < I_k < 12\text{mA}$ $-40^{\circ}\text{C} < T_{amb} < +85^{\circ}\text{C}$ | | 2.5 | 5 7 | |
| R_{ka} | Static impedance | $\Delta I_k = 45\mu\text{A}$ to 1mA | | 0.25 | 0.5 | W |
| K_{vh} | Long term stability | $I_k = 100\mu\text{A}$, $t = 1000\text{hrs}$ | | 120 | | ppm |
| En | Wide band noise | $I_k = 100\mu\text{A}$ $10\text{Hz} < f < 10\text{kHz}$ | | 200 | | nV/ $\sqrt{\text{Hz}}$ |

1. Limits are 100% production tested at 25°C. Behavior at the temperature range limits is guaranteed through correlation and by design.

Figure 1. Reference voltage versus cathode current

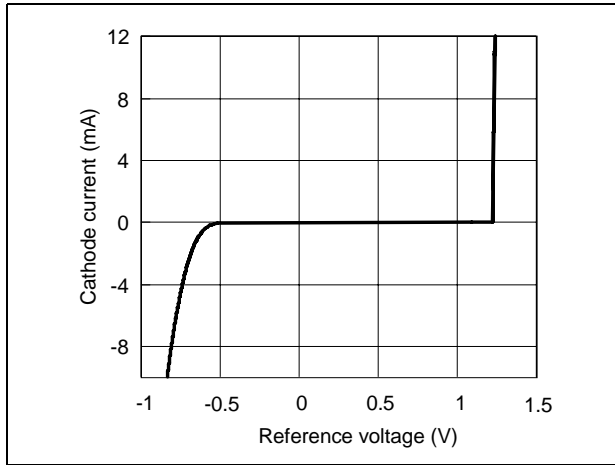


Figure 2. Reference voltage versus cathode current



Figure 3. Test circuit

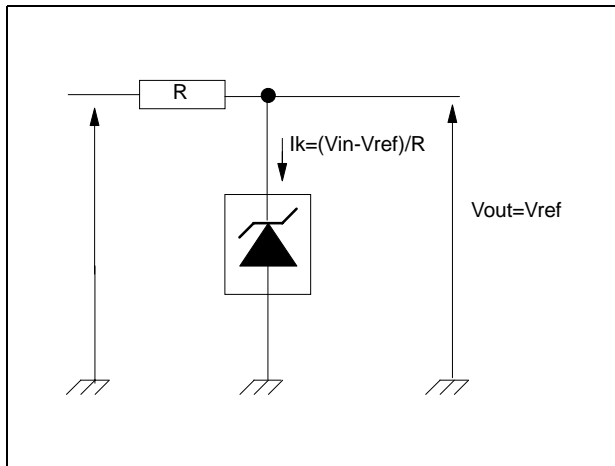


Figure 4. Reference voltage versus temperature



Figure 5. Static impedance versus temperature

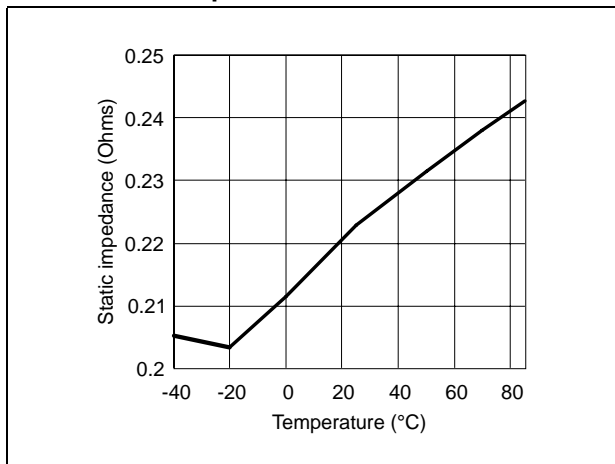


Figure 6. Noise voltage versus frequency

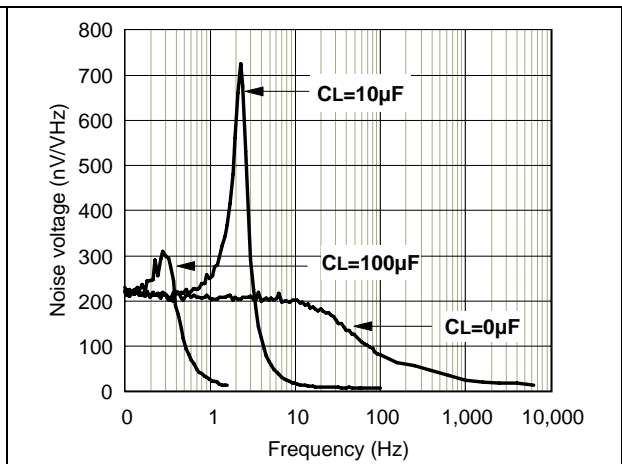


Figure 7. Pulse response for $I_k=100\mu A$



Figure 8. Test circuit for pulse response at $I_k=100\mu A$

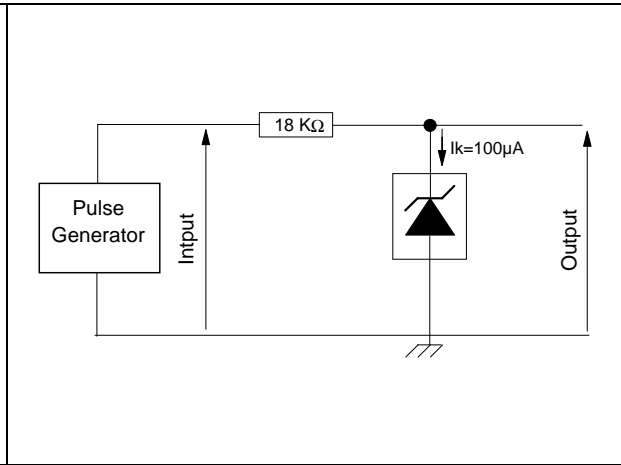
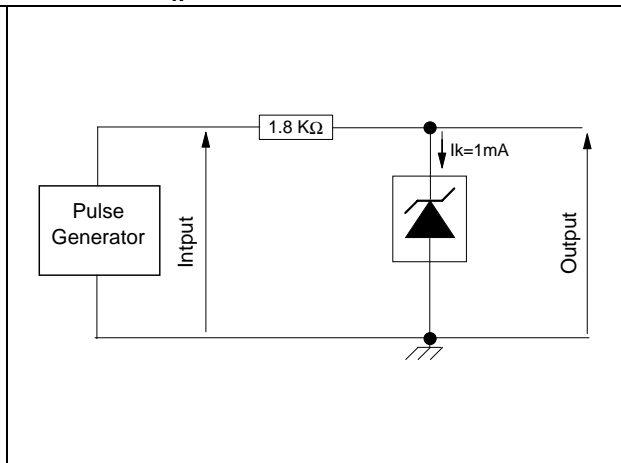


Figure 9. Pulse response for $I_k=1mA$



Figure 10. Test circuit for pulse response at $I_k=1mA$



3 Package information

In order to meet environmental requirements, STMicroelectronics offers these devices in ECOPACK® packages. These packages have a lead-free second level interconnect. The category of second level interconnect is marked on the package and on the inner box label, in compliance with JEDEC Standard JESD97. The maximum ratings related to soldering conditions are also marked on the inner box label. ECOPACK is an STMicroelectronics trademark. ECOPACK specifications are available at: www.st.com.

Figure 11. SOT23-3 package mechanical data

| Ref. | Dimensions | | | | | |
|------|-------------|-------|-------|--------|--------|--------|
| | Millimeters | | | Mils | | |
| | Min. | Typ. | Max. | Min. | Typ. | Max. |
| A | 0.890 | | 1.120 | 35.05 | | 44.12 |
| A1 | 0.010 | | 0.100 | 0.39 | | 3.94 |
| A2 | 0.880 | 0.950 | 1.020 | 34.65 | 37.41 | 40.17 |
| b | 0.300 | | 0.500 | 11.81 | | 19.69 |
| C | 0.080 | | 0.200 | 3.15 | | 7.88 |
| D | 2.800 | 2.900 | 3.040 | 110.26 | 114.17 | 119.72 |
| E | 2.100 | | 2.64 | 82.70 | | 103.96 |
| E1 | 1.200 | 1.300 | 1.400 | 47.26 | 51.19 | 55.13 |
| e | | 0.950 | | | 37.41 | |
| e1 | | 1.900 | | | 74.82 | |
| L | 0.400 | | 0.600 | 15.75 | | 23.63 |
| L1 | | 0.540 | | | 21.27 | |
| k | 0° | | 8° | 0° | | 8° |



4 Ordering information

Table 6. Order codes

| Part number | Precision | Temperature range | Package | Packing | Marking |
|-------------|-----------|-------------------|---------|-------------|---------|
| TS821ILT | 2% | -40°C to +85°C | SOT23-3 | Tape & reel | L213 |
| TS821AILT | 1% | | | | L212 |
| TS821BILT | 0.5% | | | | L211 |

5 Revision history

Table 7. Document revision history

| Date | Revision | Changes |
|-------------|----------|---|
| 10-Nov-2005 | 1 | Initial release. |
| 24-Jul-2007 | 2 | Removed information related to TO-92. Format update. |

Please Read Carefully:

Information in this document is provided solely in connection with ST products. STMicroelectronics NV and its subsidiaries ("ST") reserve the right to make changes, corrections, modifications or improvements, to this document, and the products and services described herein at any time, without notice.

All ST products are sold pursuant to ST's terms and conditions of sale.

Purchasers are solely responsible for the choice, selection and use of the ST products and services described herein, and ST assumes no liability whatsoever relating to the choice, selection or use of the ST products and services described herein.

No license, express or implied, by estoppel or otherwise, to any intellectual property rights is granted under this document. If any part of this document refers to any third party products or services it shall not be deemed a license grant by ST for the use of such third party products or services, or any intellectual property contained therein or considered as a warranty covering the use in any manner whatsoever of such third party products or services or any intellectual property contained therein.

UNLESS OTHERWISE SET FORTH IN ST'S TERMS AND CONDITIONS OF SALE ST DISCLAIMS ANY EXPRESS OR IMPLIED WARRANTY WITH RESPECT TO THE USE AND/OR SALE OF ST PRODUCTS INCLUDING WITHOUT LIMITATION IMPLIED WARRANTIES OF MERCHANTABILITY, FITNESS FOR A PARTICULAR PURPOSE (AND THEIR EQUIVALENTS UNDER THE LAWS OF ANY JURISDICTION), OR INFRINGEMENT OF ANY PATENT, COPYRIGHT OR OTHER INTELLECTUAL PROPERTY RIGHT.

UNLESS EXPRESSLY APPROVED IN WRITING BY AN AUTHORIZED ST REPRESENTATIVE, ST PRODUCTS ARE NOT RECOMMENDED, AUTHORIZED OR WARRANTED FOR USE IN MILITARY, AIR CRAFT, SPACE, LIFE SAVING, OR LIFE SUSTAINING APPLICATIONS, NOR IN PRODUCTS OR SYSTEMS WHERE FAILURE OR MALFUNCTION MAY RESULT IN PERSONAL INJURY, DEATH, OR SEVERE PROPERTY OR ENVIRONMENTAL DAMAGE. ST PRODUCTS WHICH ARE NOT SPECIFIED AS "AUTOMOTIVE GRADE" MAY ONLY BE USED IN AUTOMOTIVE APPLICATIONS AT USER'S OWN RISK.

Resale of ST products with provisions different from the statements and/or technical features set forth in this document shall immediately void any warranty granted by ST for the ST product or service described herein and shall not create or extend in any manner whatsoever, any liability of ST.

ST and the ST logo are trademarks or registered trademarks of ST in various countries.

Information in this document supersedes and replaces all information previously supplied.

The ST logo is a registered trademark of STMicroelectronics. All other names are the property of their respective owners.

© 2007 STMicroelectronics - All rights reserved

STMicroelectronics group of companies

Australia - Belgium - Brazil - Canada - China - Czech Republic - Finland - France - Germany - Hong Kong - India - Israel - Italy - Japan - Malaysia - Malta - Morocco - Singapore - Spain - Sweden - Switzerland - United Kingdom - United States of America

www.st.com

